



US00D560866S

(12) **United States Design Patent**  
**Rosenzweig**

(10) **Patent No.:** **US D560,866 S**

(45) **Date of Patent:** **\*\* Jan. 29, 2008**

(54) **SURFACE CLEANER**

(75) Inventor: **Mark Rosenzweig**, Chestnut Hill, MA  
(US)

(73) Assignee: **EuroPro Operating LLC**, West  
Newton, MA (US)

(\*\*) Term: **14 Years**

(21) Appl. No.: **29/281,164**

(22) Filed: **Jun. 15, 2007**

**Related U.S. Application Data**

(62) Division of application No. 29/203,137, filed on Apr. 9, 2004, now Pat. No. Des. 549,906.

(51) **LOC (8) Cl.** ..... **15-05**

(52) **U.S. Cl.** ..... **D32/38**

(58) **Field of Classification Search** ..... D32/40,  
D32/50, 51, 15, 7, 18, 19, 21, 22, 25, 31,  
D32/32, 33, 35, 8, 39, 52; 15/41.1, 42-44,  
15/46, 48, 79.1, 342, 349, 364, 388  
See application file for complete search history.

(56) **References Cited**

**U.S. PATENT DOCUMENTS**

D427,399 S *	6/2000	Thur et al. ....	D32/33
D440,019 S *	4/2001	Mehaffey et al. ....	D32/32
D473,687 S *	4/2003	Kaffenberger ....	D32/33
D474,315 S *	5/2003	Archer et al. ....	D32/32
D474,569 S *	5/2003	Archer et al. ....	D32/32
D475,823 S *	6/2003	Medema et al. ....	D32/32
D481,845 S *	11/2003	Leyden et al. ....	D32/32
D487,323 S *	3/2004	Leyden et al. ....	D32/22
D487,602 S *	3/2004	Roberts et al. ....	D32/32
D495,106 S *	8/2004	Leyden et al. ....	D32/32
D498,029 S *	11/2004	Downey et al. ....	D32/32
D499,518 S *	12/2004	Downey et al. ....	D32/32
D499,850 S *	12/2004	Leyden ....	D32/32
D503,252 S *	3/2005	Moine ....	D32/32

D506,048 S *	6/2005	Downey et al. ....	D32/32
D506,586 S *	6/2005	Carr et al. ....	D32/32
D508,153 S *	8/2005	Alford et al. ....	D32/32
D510,466 S *	10/2005	Rosenzweig ....	D32/32
D524,002 S *	6/2006	Worwag ....	D32/32
D541,498 S *	4/2007	Moine et al. ....	D32/32
D546,510 S *	7/2007	Parr et al. ....	D32/32

\* cited by examiner

*Primary Examiner*—Cathron Brooks

*Assistant Examiner*—Barbara Fox

(74) *Attorney, Agent, or Firm*—Womble Carlyle Sandridge & Rice

(57) **CLAIM**

The ornamental design for a surface cleaner, as shown and described.

**DESCRIPTION**

FIG. 1 is a right, front perspective view of a first embodiment of a surface cleaner according to my novel design;

FIG. 2 is a left, front perspective view of the first embodiment of the surface cleaner according to my novel design;

FIG. 3 is a front view of the first embodiment of the surface cleaner according to my novel design;

FIG. 4 is a left side view of the first embodiment of the surface cleaner according to my novel design;

FIG. 5 is a right side view of the first embodiment of the surface cleaner according to my novel design;

FIG. 6 is a top view of the first embodiment of the surface cleaner according to my novel design;

FIG. 7 is a rear view of the first embodiment of the surface cleaner according to my novel design;

FIG. 8 is a bottom view of the first embodiment of the surface cleaner;

FIG. 9 is a front perspective view of a first embodiment of the surface cleaner according to my novel design and including a handle in broken lines for illustrative purposes only;

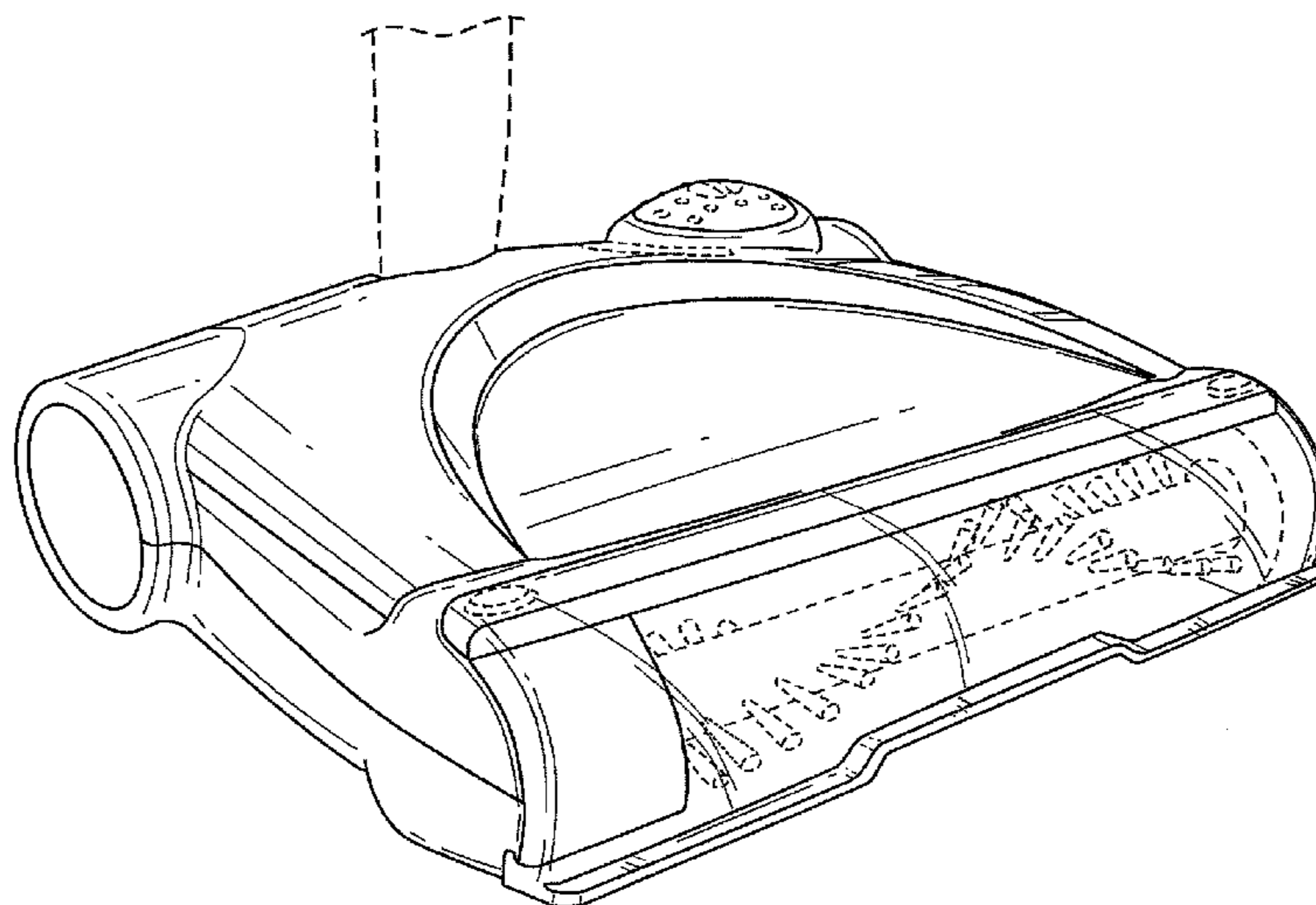


FIG. 10 is a right, front perspective view of the second embodiment of the surface cleaner according to my novel design;

FIG. 11 is a left, front perspective of the second embodiment of the surface cleaner according to my novel design;

FIG. 12 is a front view of the second embodiment of the surface cleaner according to my novel design;

FIG. 13 is a left side view of the second embodiment of the surface cleaner according to my novel design;

FIG. 14 is a right side view of the second embodiment of the surface cleaner according to my novel design;

FIG. 15 is a top view of the second embodiment of the surface cleaner according to my novel design;

FIG. 16 is a rear view of the second embodiment of the surface cleaner according to my novel design;

FIG. 17 is a front perspective view of the of the second embodiment of the surface cleaner according to my novel design and including a handle in broken lines for illustrative purposes only;

FIG. 18 is a right, front view of a third embodiment of the surface cleaner according to my novel design;

FIG. 19 is a left, front view of the third embodiment of the surface cleaner according to my novel design;

FIG. 20 is a front side view of the third embodiment of the surface cleaner according to my novel design;

FIG. 21 is a left side view of the third embodiment of the surface cleaner according to my novel design;

FIG. 22 is a right side view of the third embodiment of the surface cleaner according to my novel design.

FIG. 23 is a top view of the third embodiment of the surface cleaner according to my novel design.

FIG. 24 is a rear view of the third embodiment of the surface cleaner according to my novel design; and,

FIG. 25 is a front perspective view of the third embodiment of the surface cleaner according to my novel design and including a handle in broken lines for illustrative purposes only.

The broken lines are for illustrative purposes only and form no part of the claimed design.

**1 Claim, 16 Drawing Sheets**

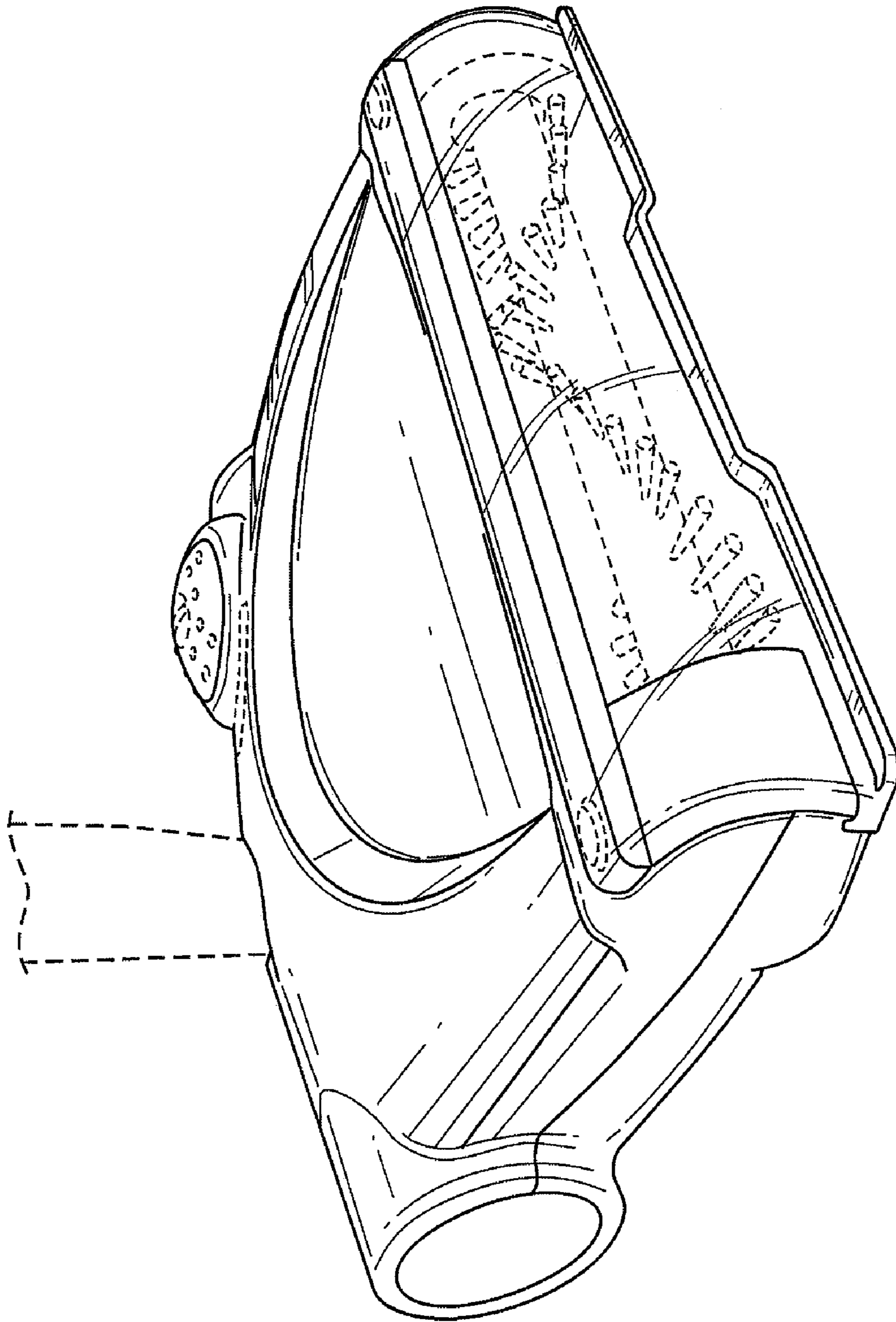


FIG. 1

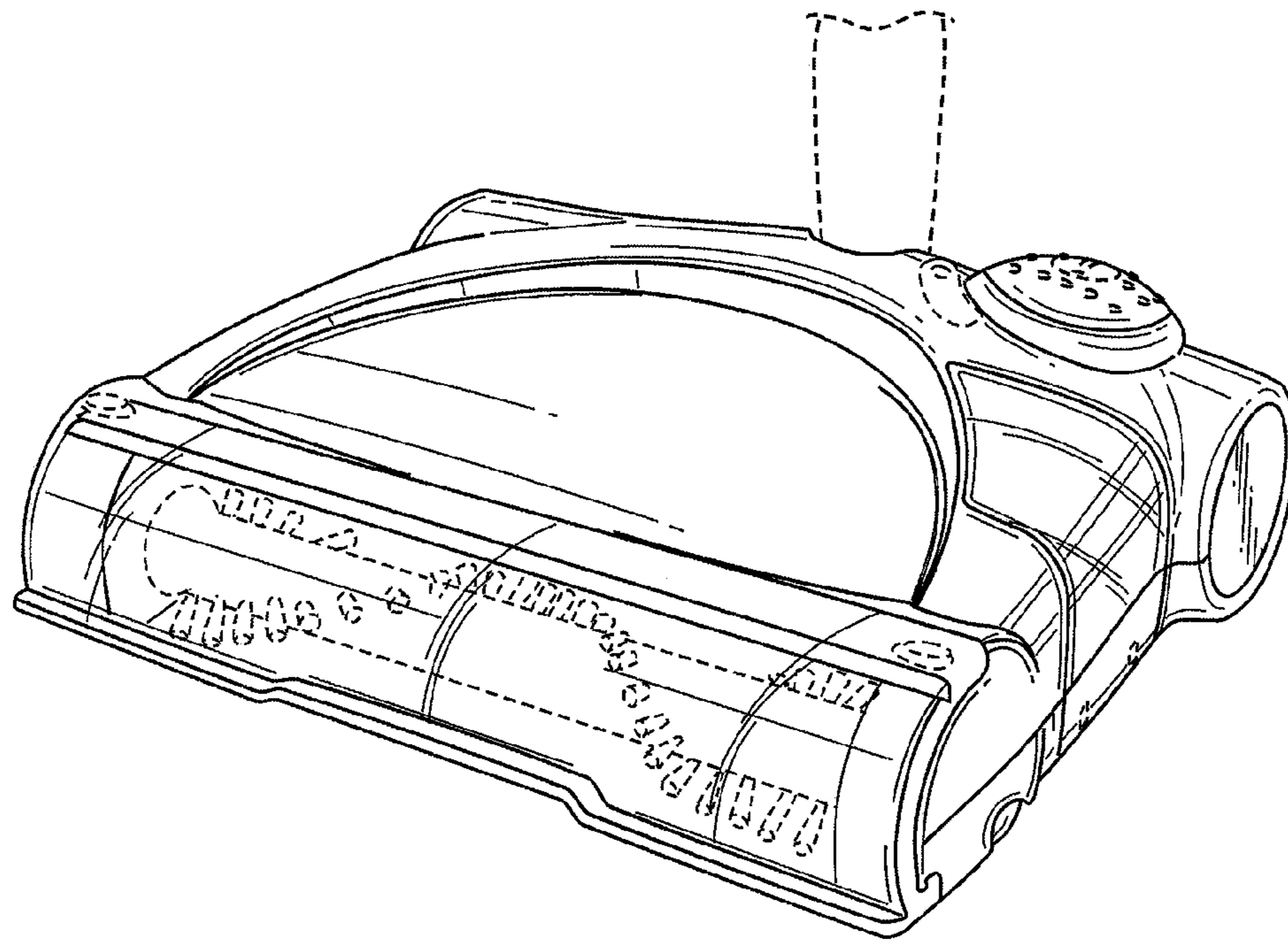


FIG. 2

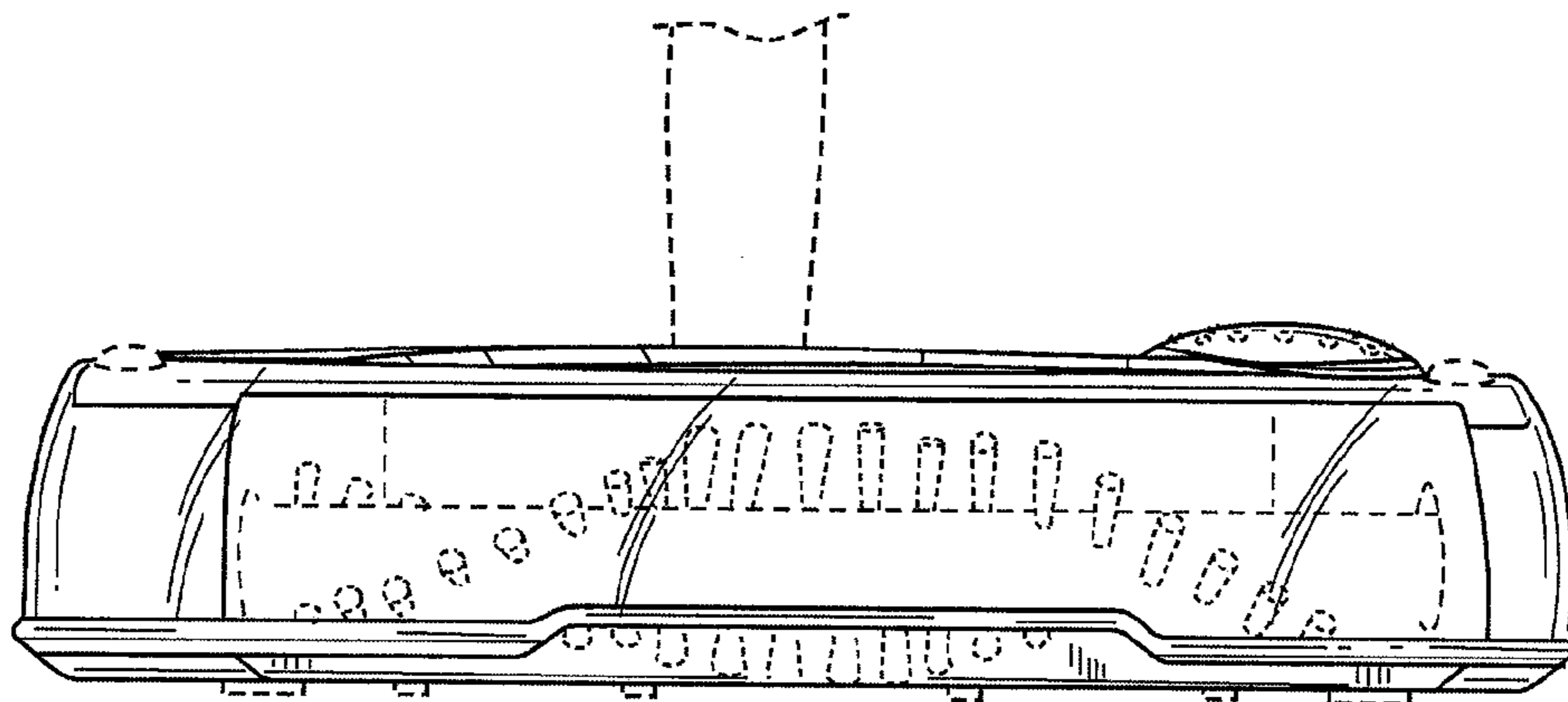


FIG. 3

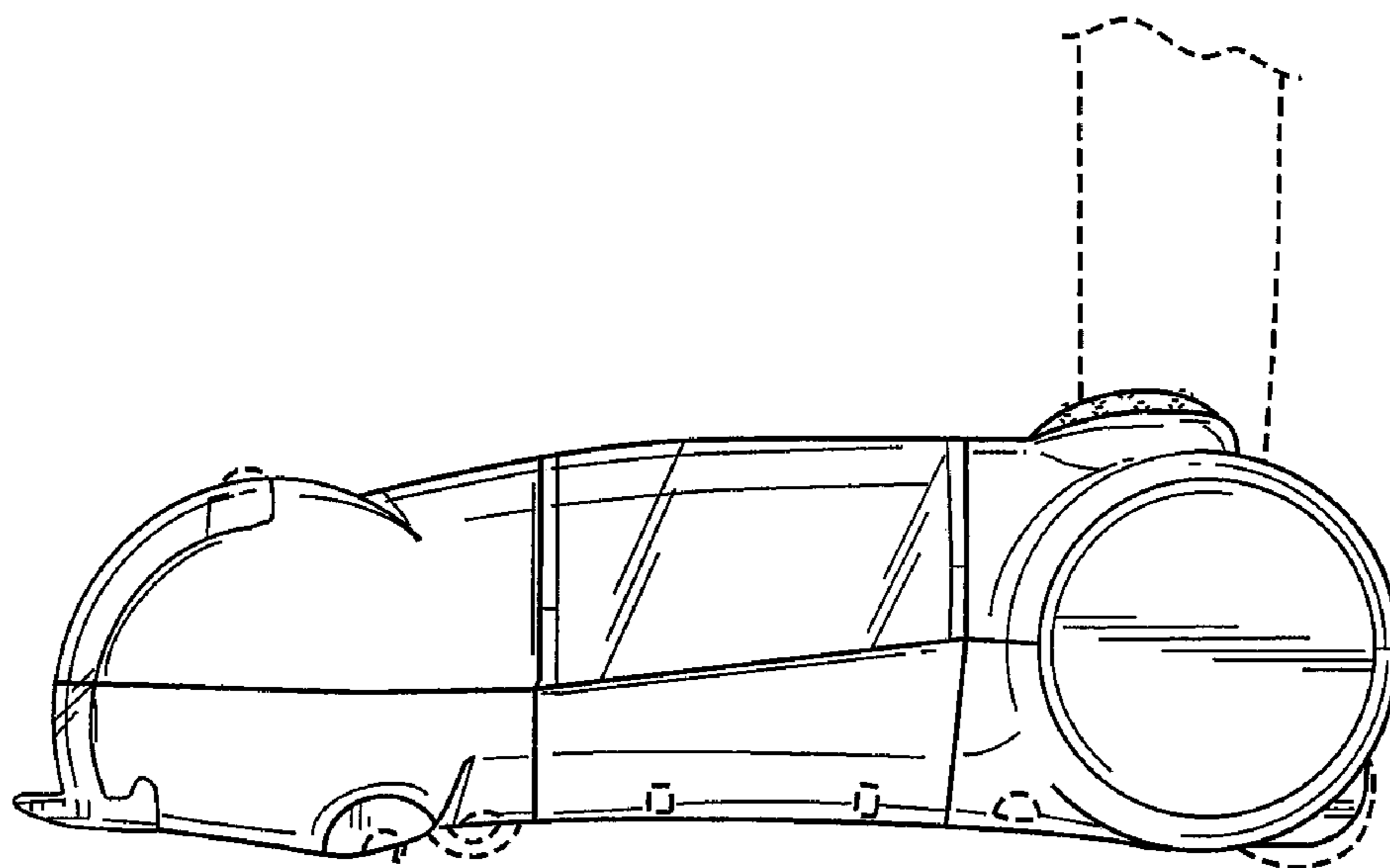


FIG. 4

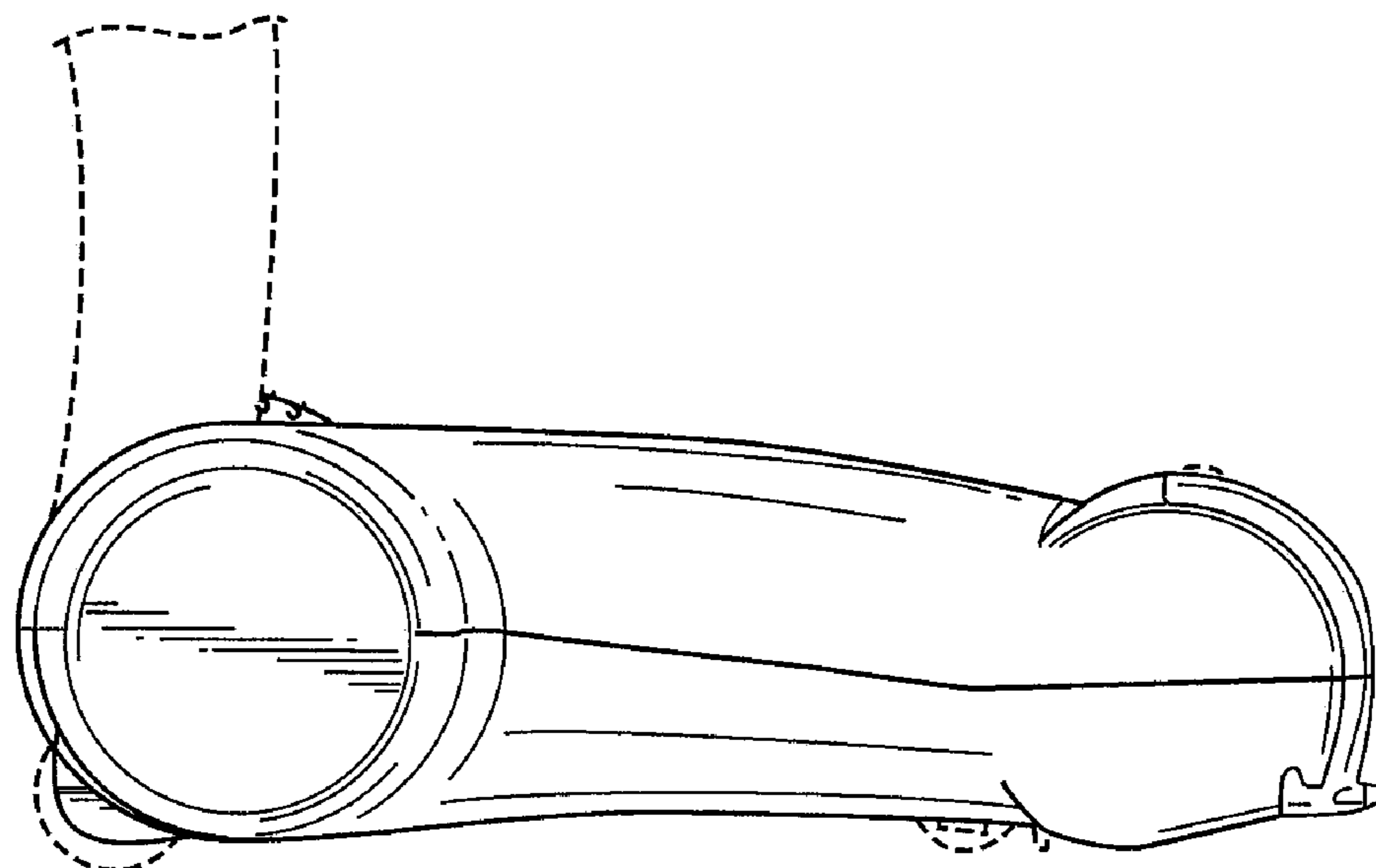


FIG. 5

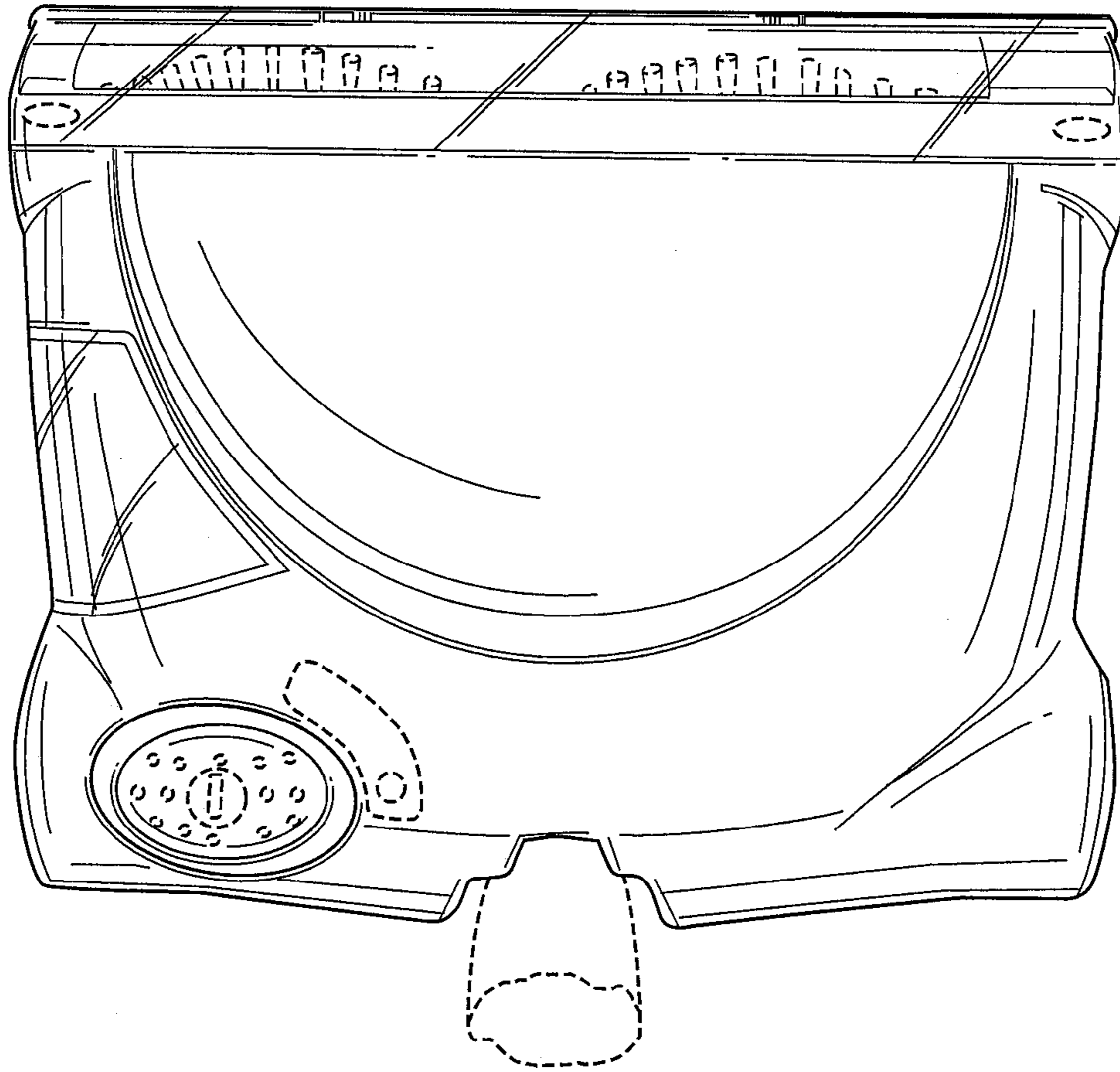


FIG. 6

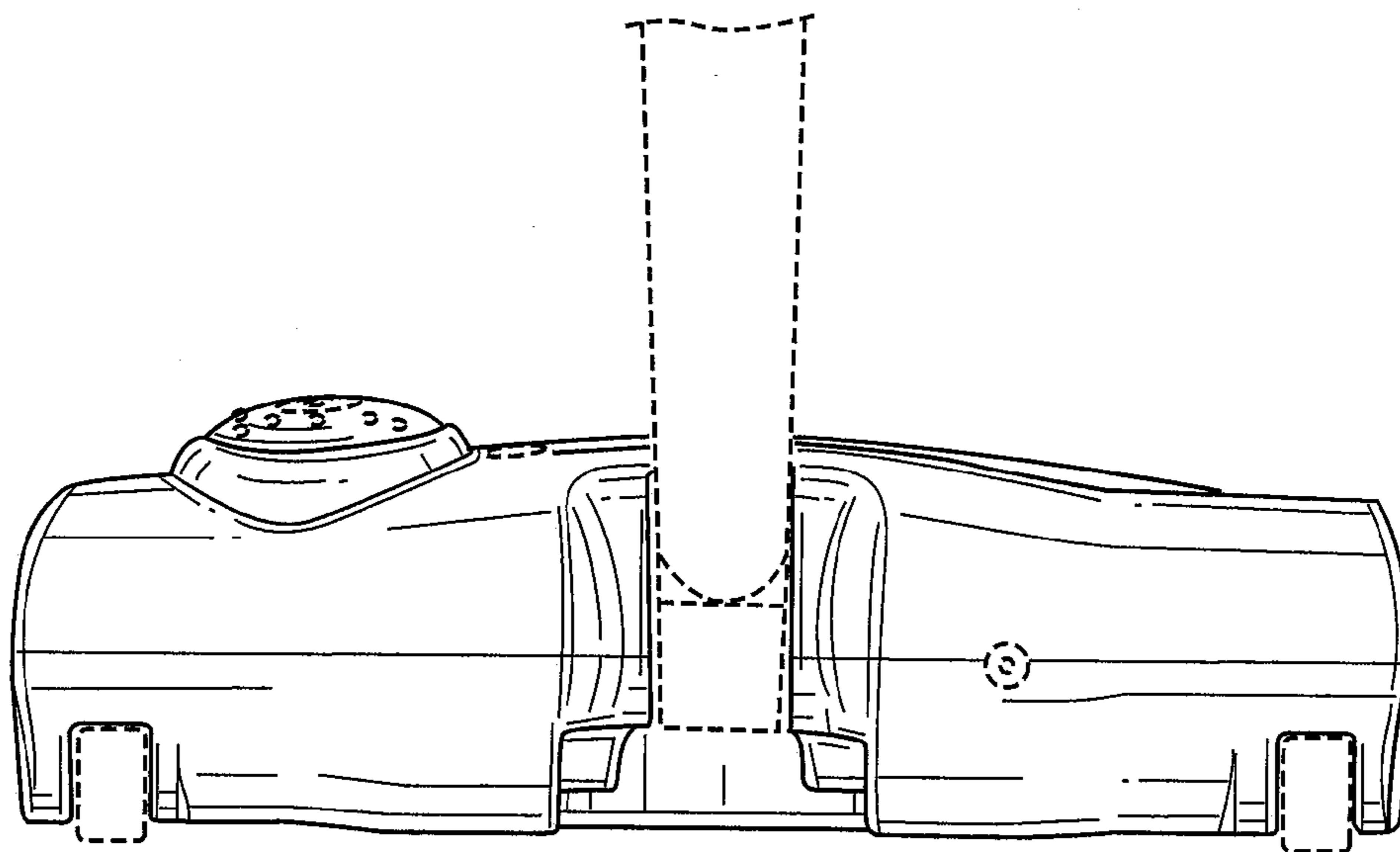


FIG. 7

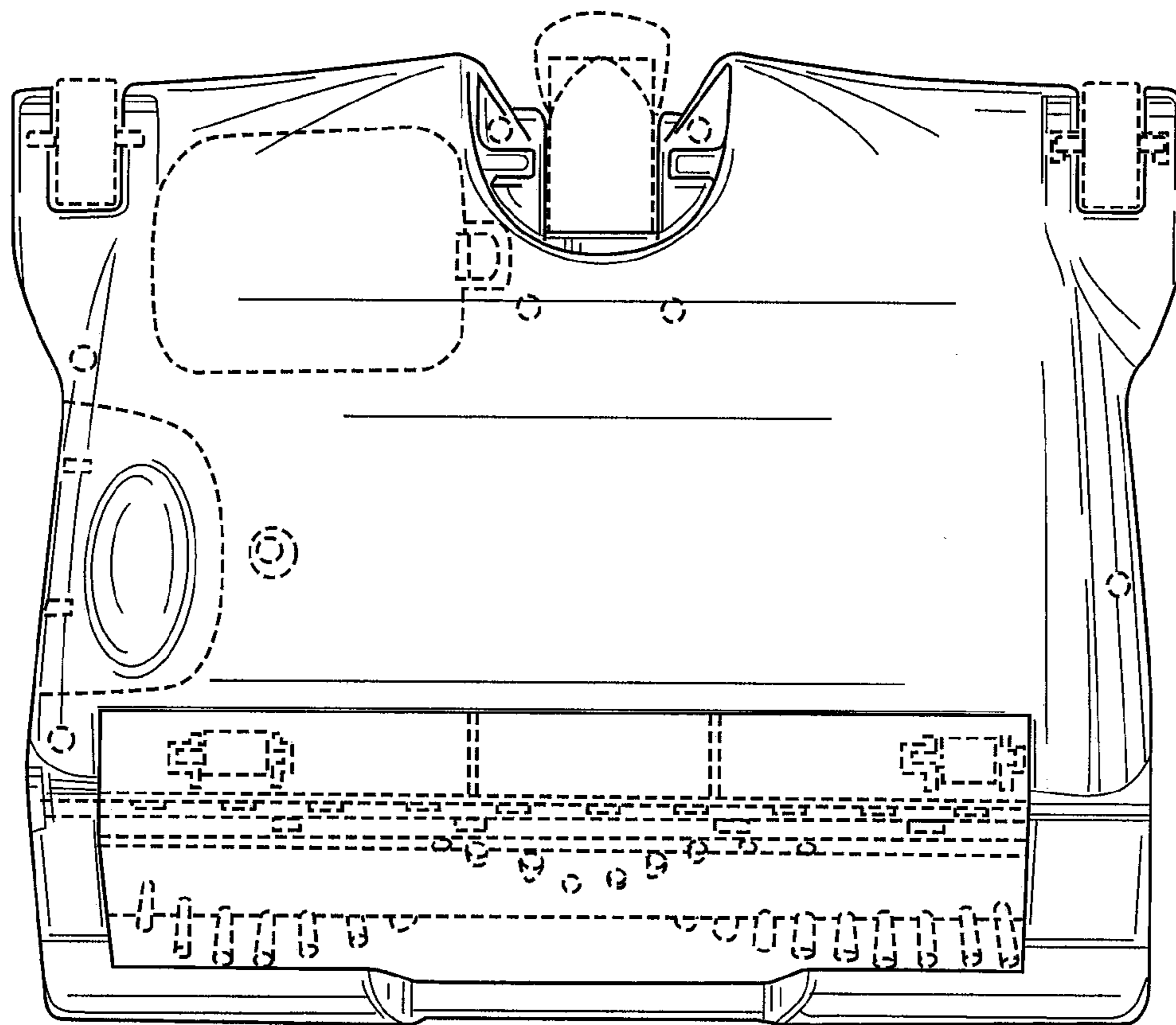


FIG. 8

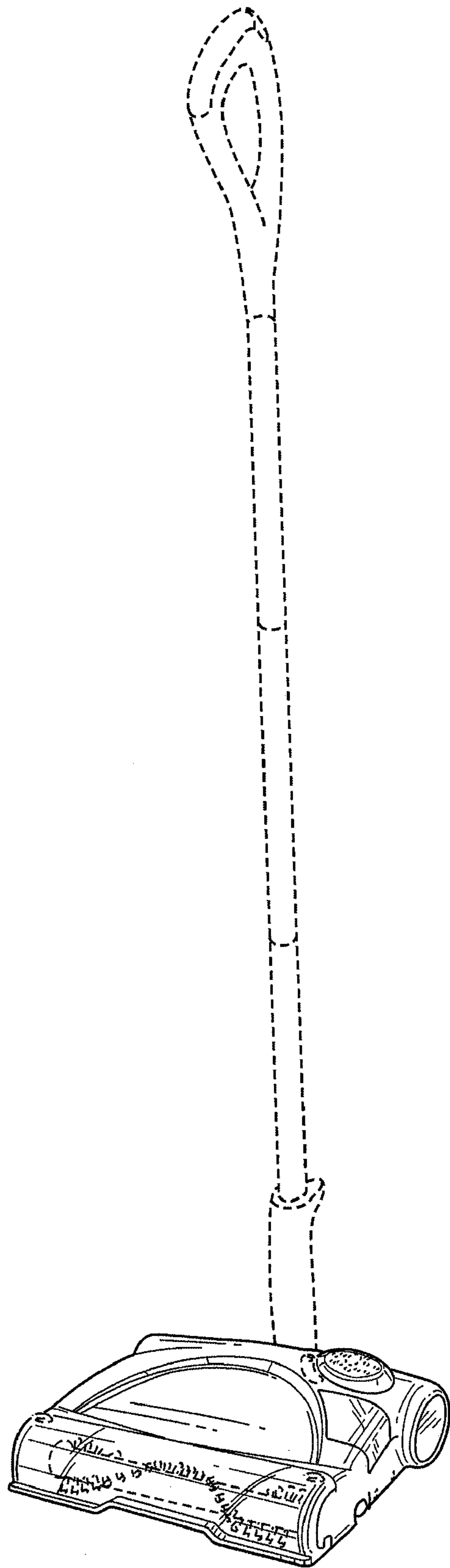


FIG. 9



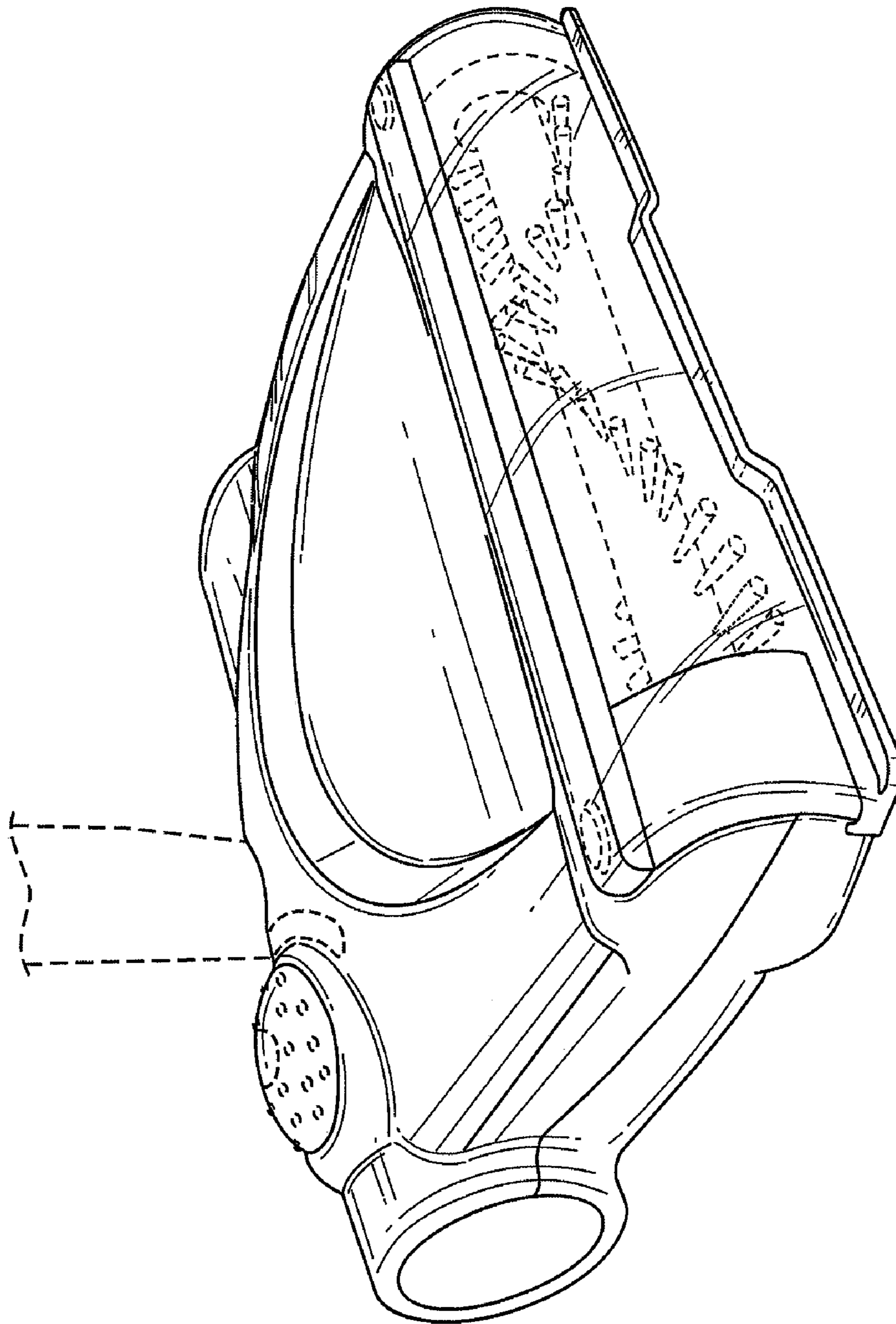


FIG. 10

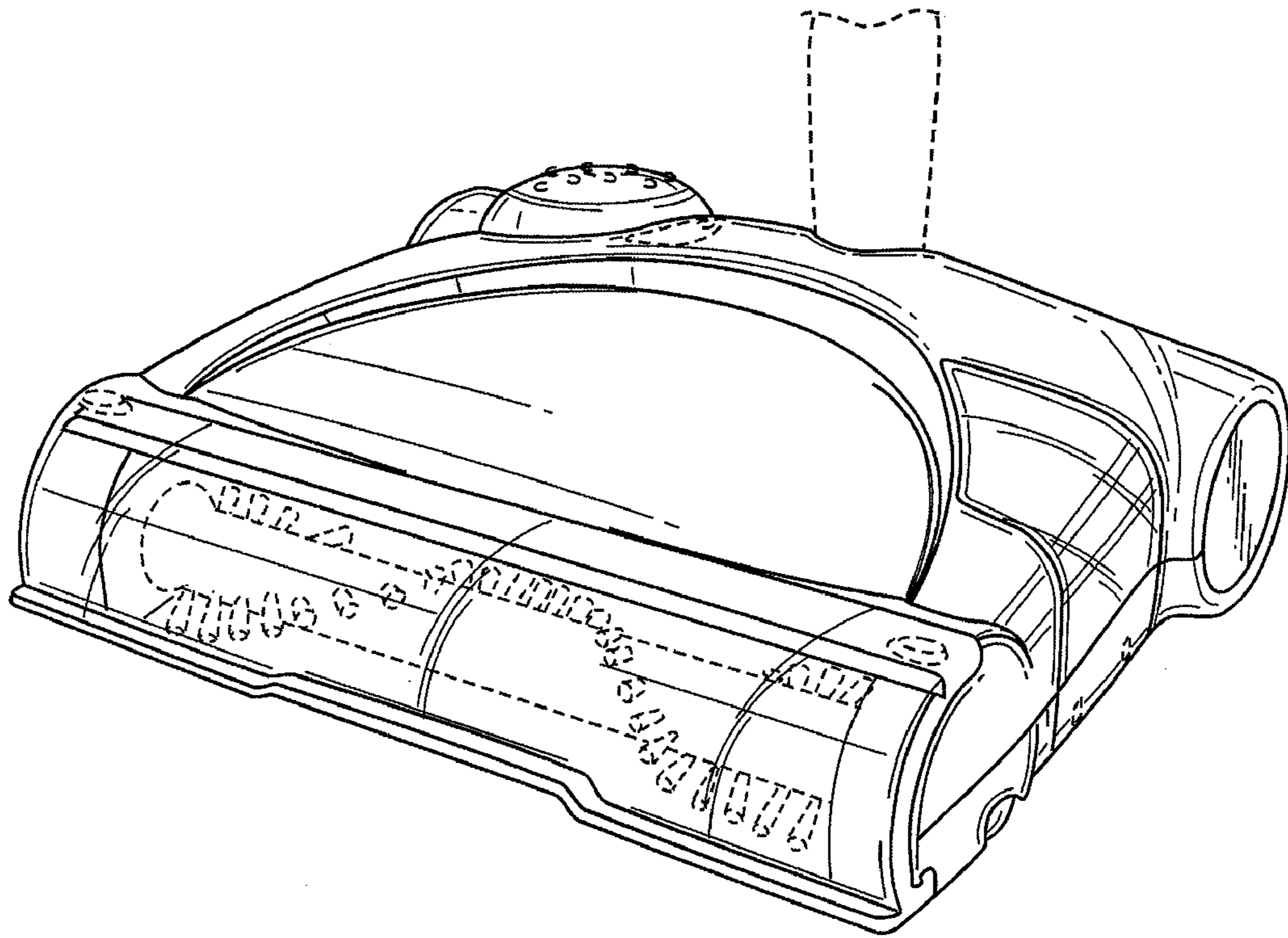


FIG. 11

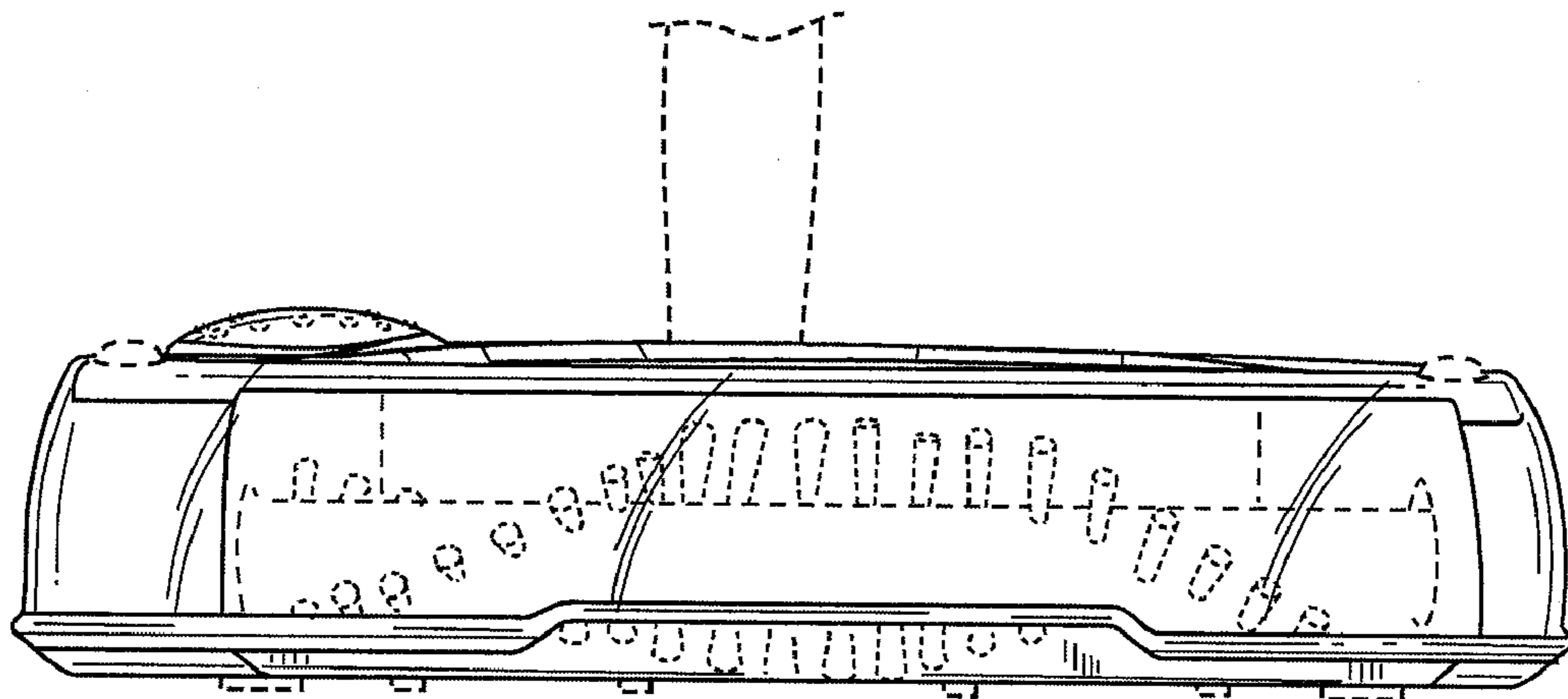


FIG. 12

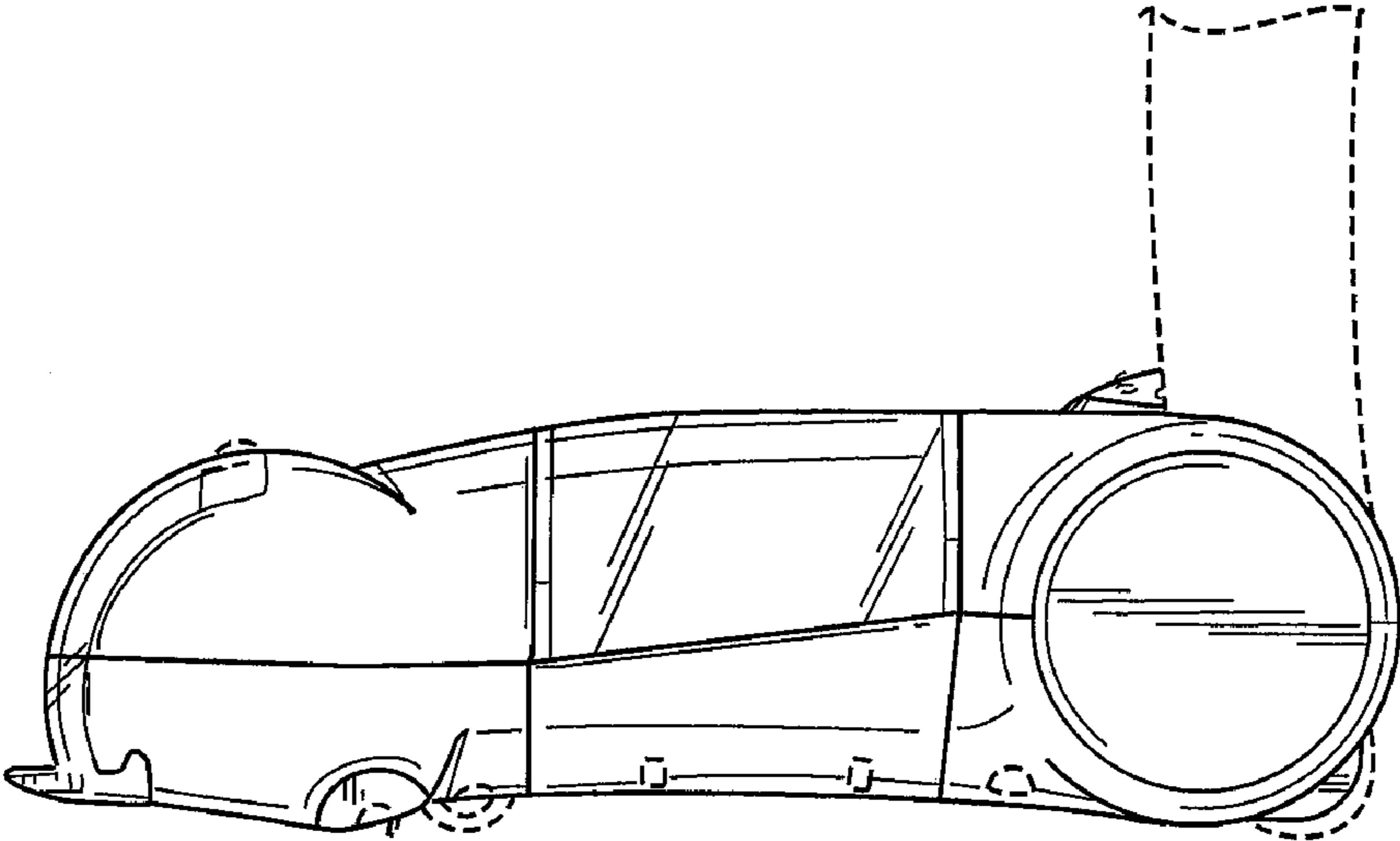


FIG. 13

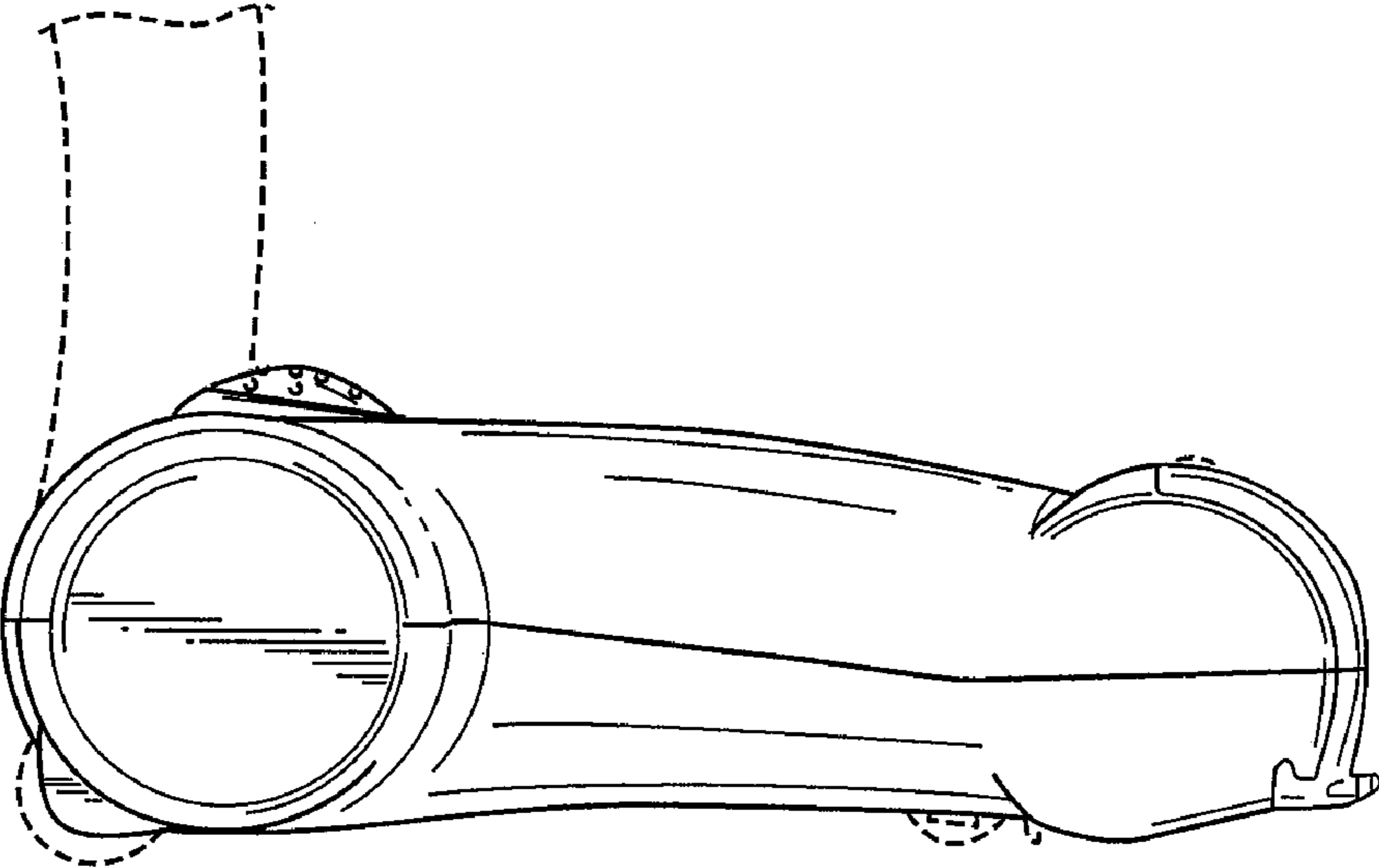


FIG. 14

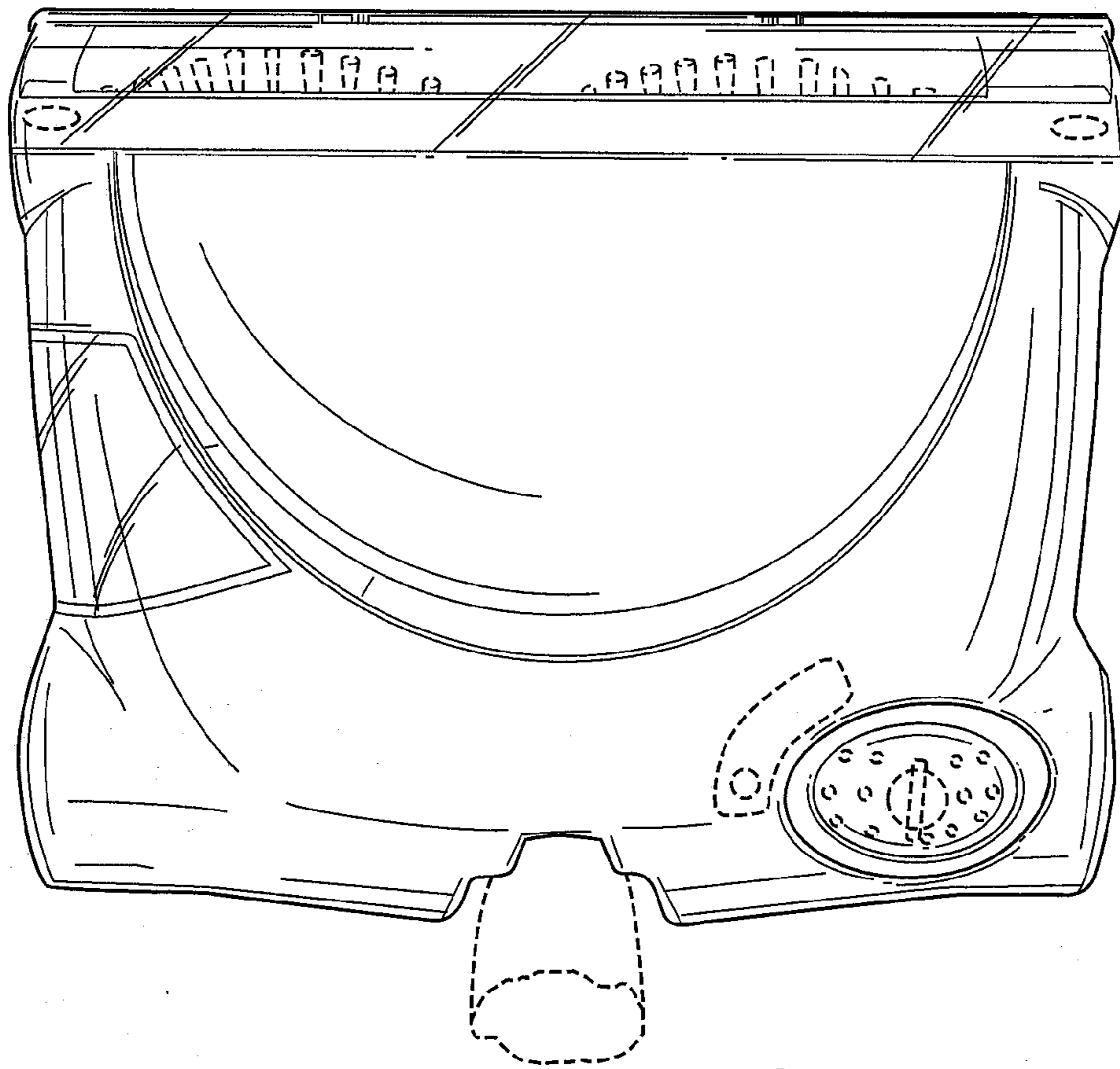


FIG. 15

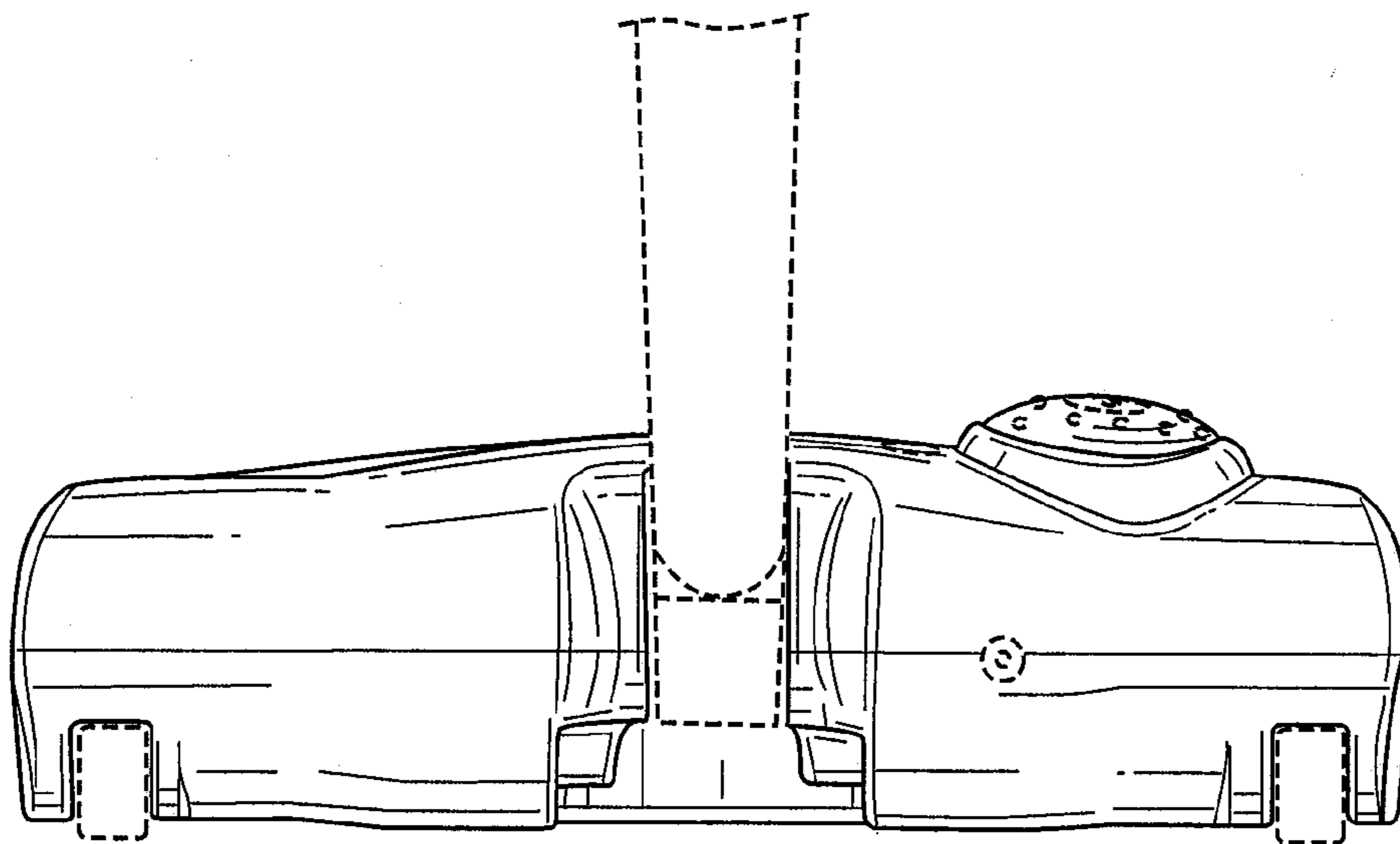


FIG. 16

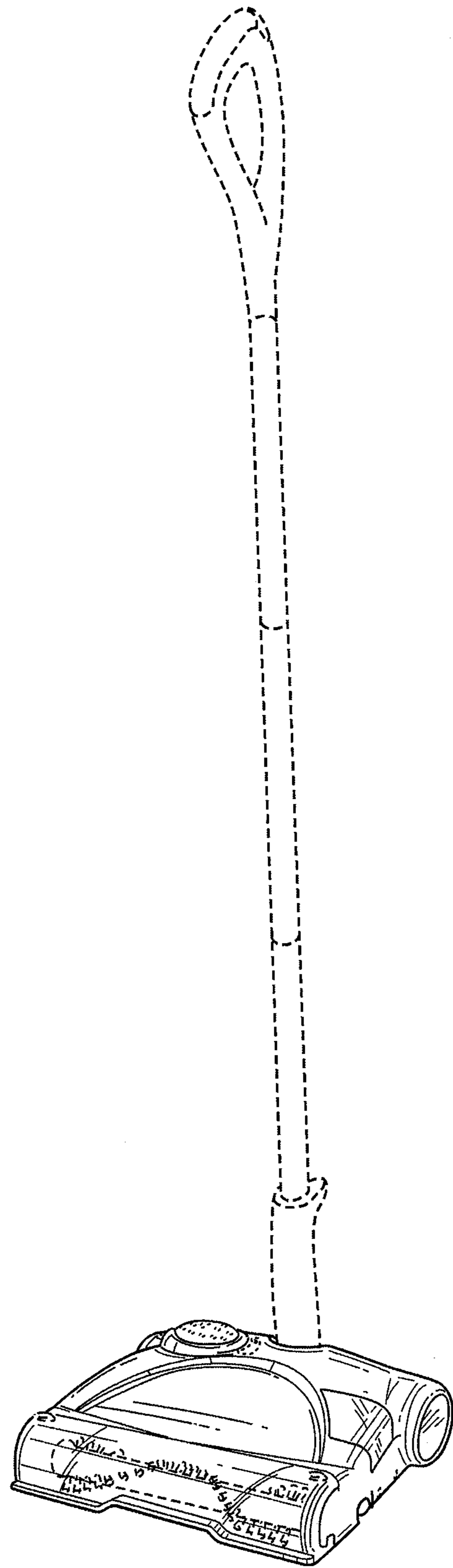


FIG. 17

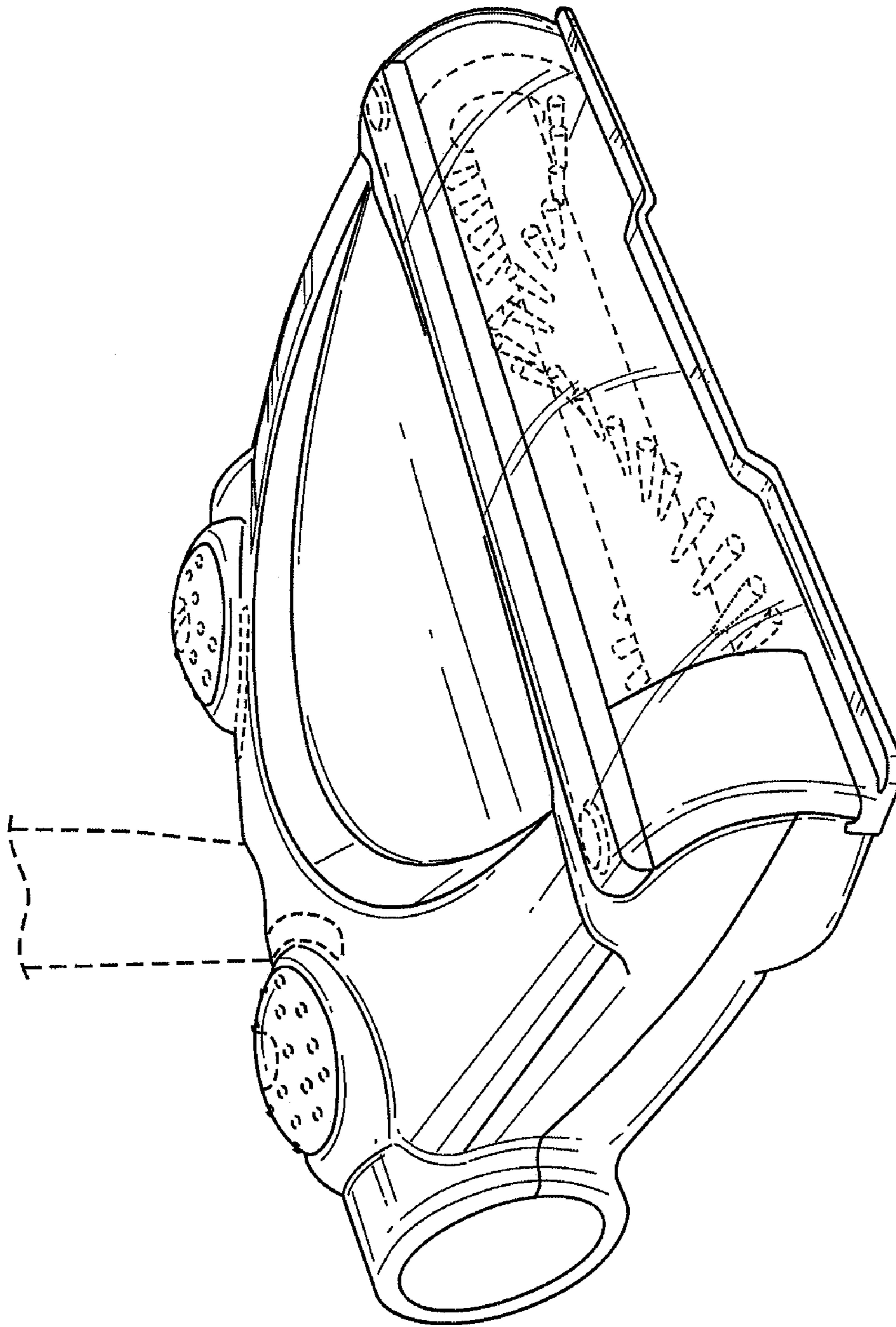


FIG. 18

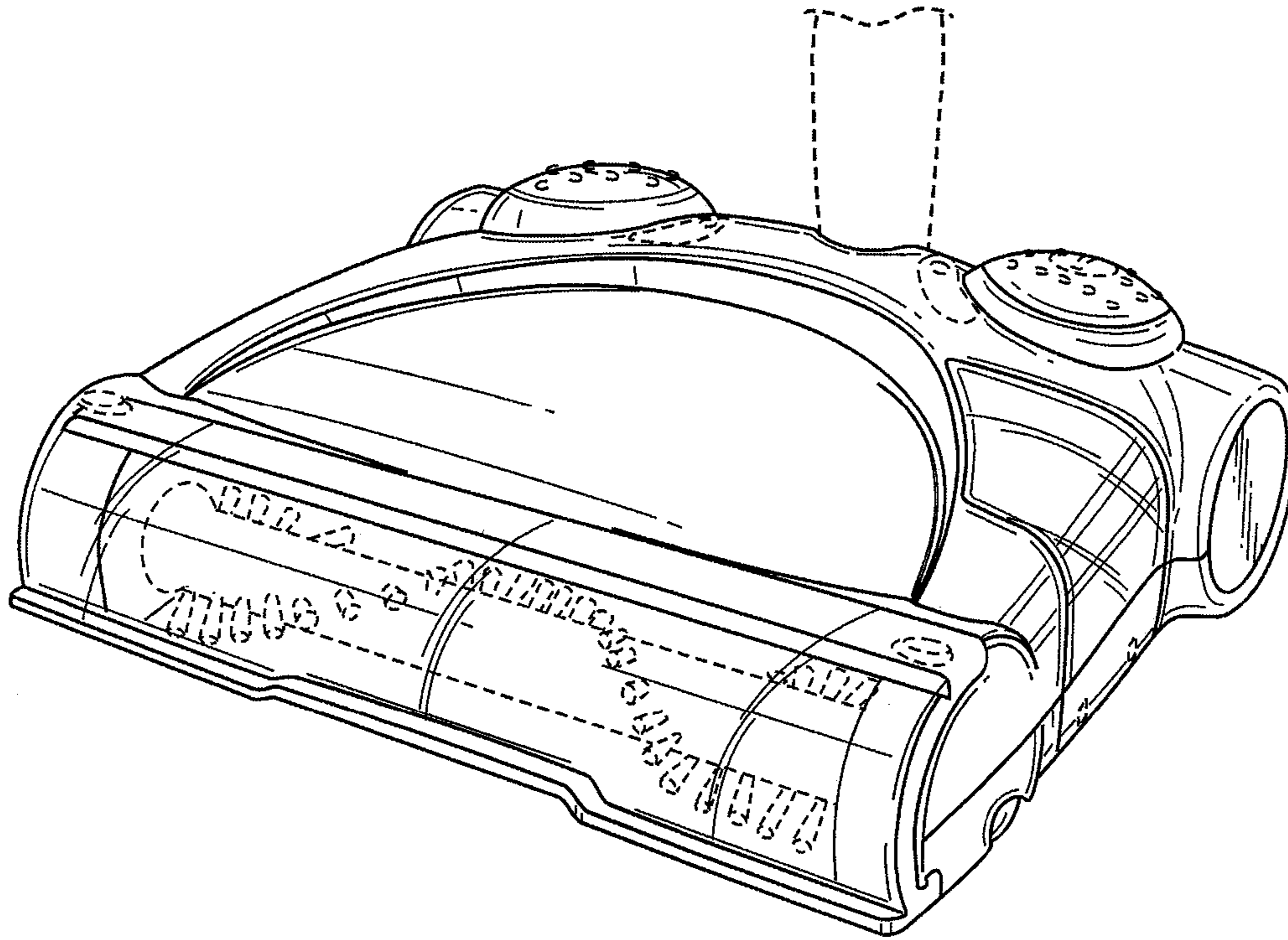


FIG. 19

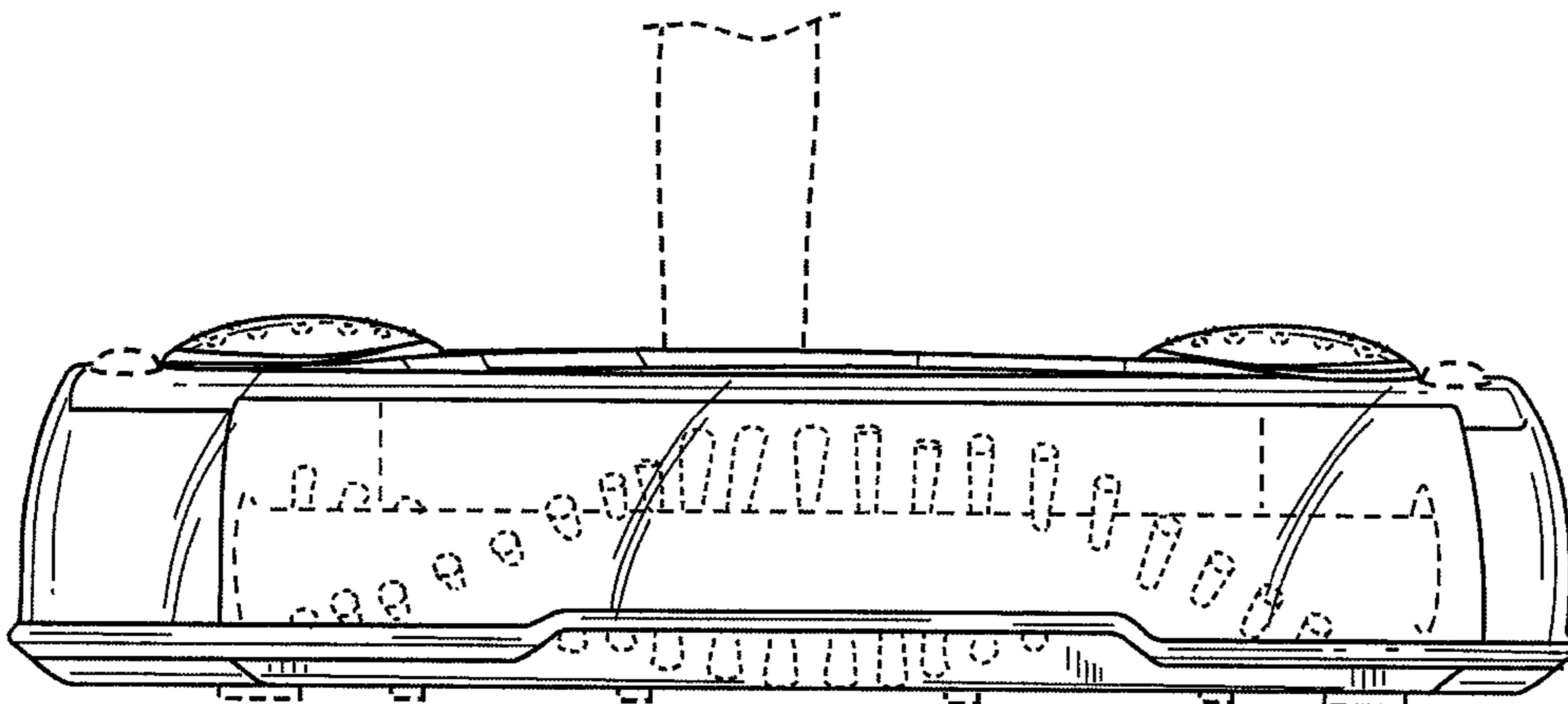


FIG. 20

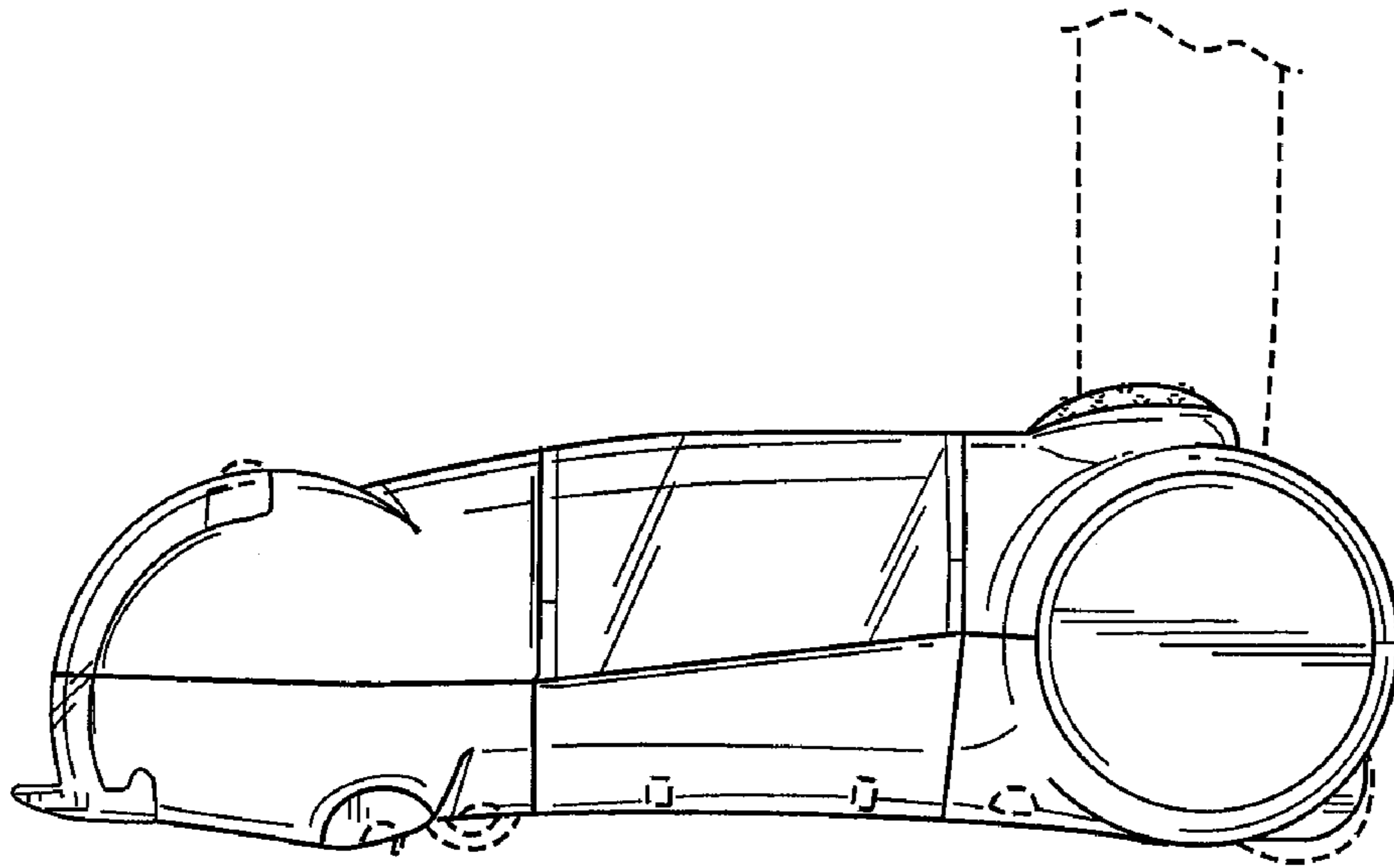


FIG. 21

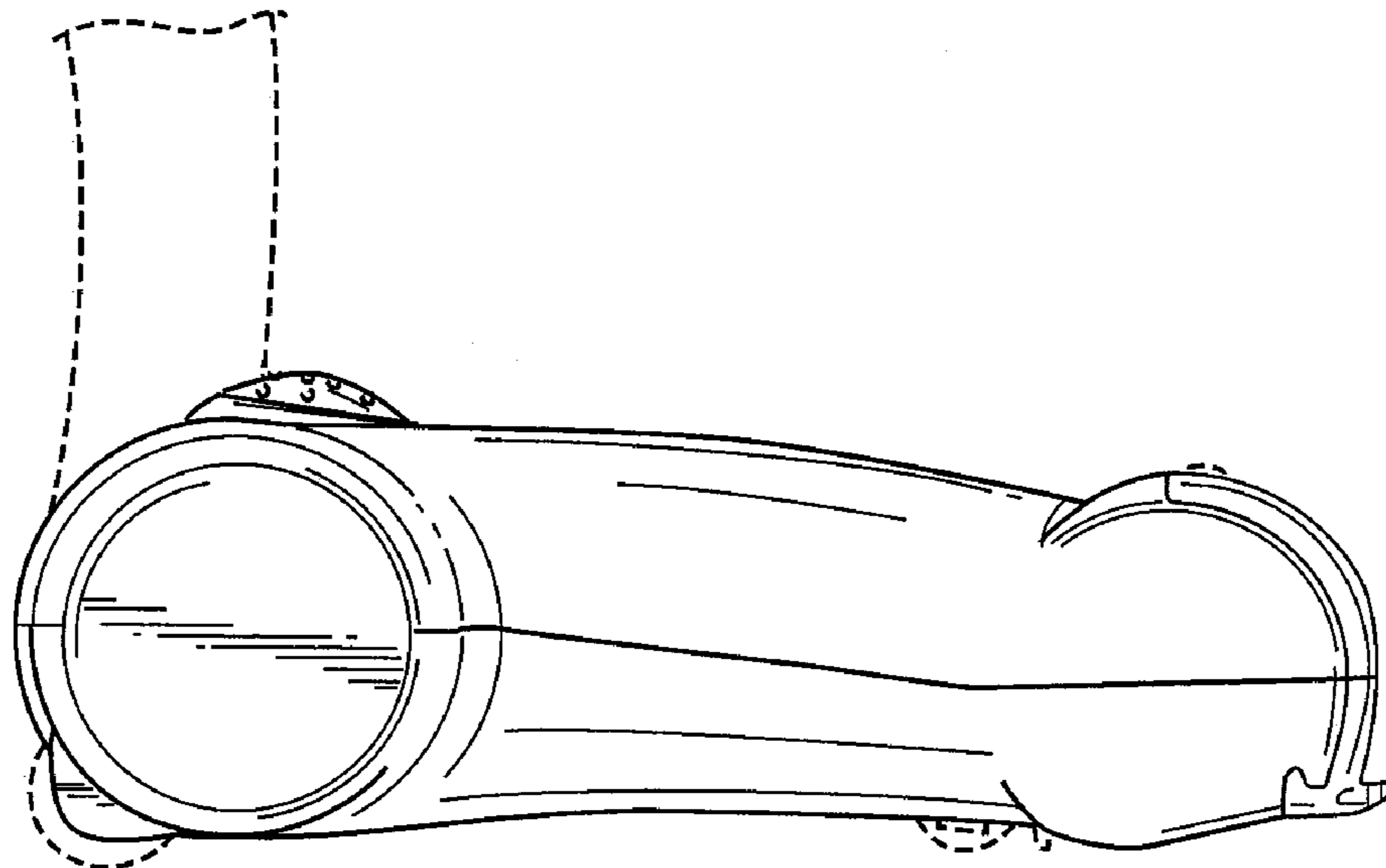


FIG. 22



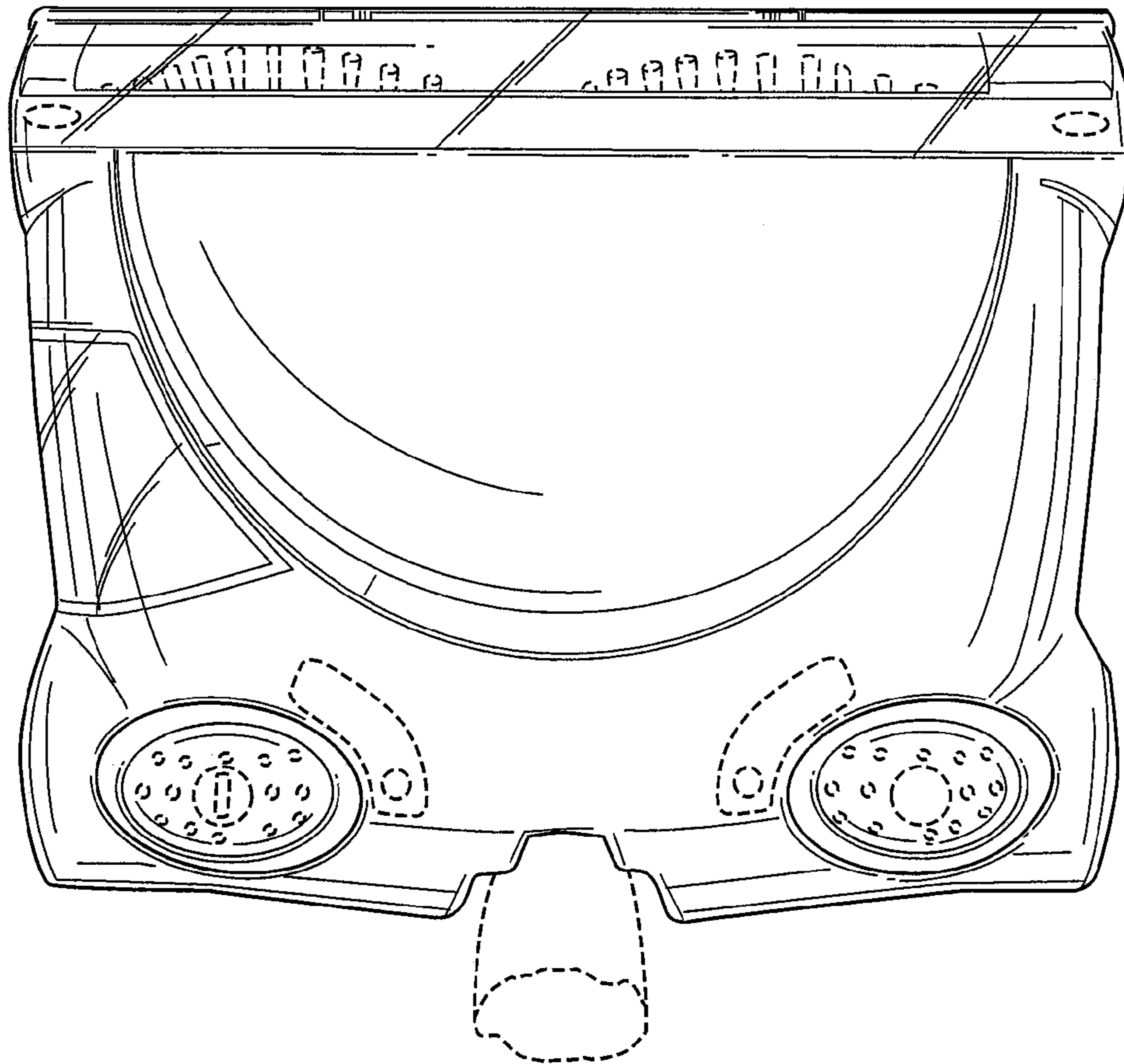


FIG. 23

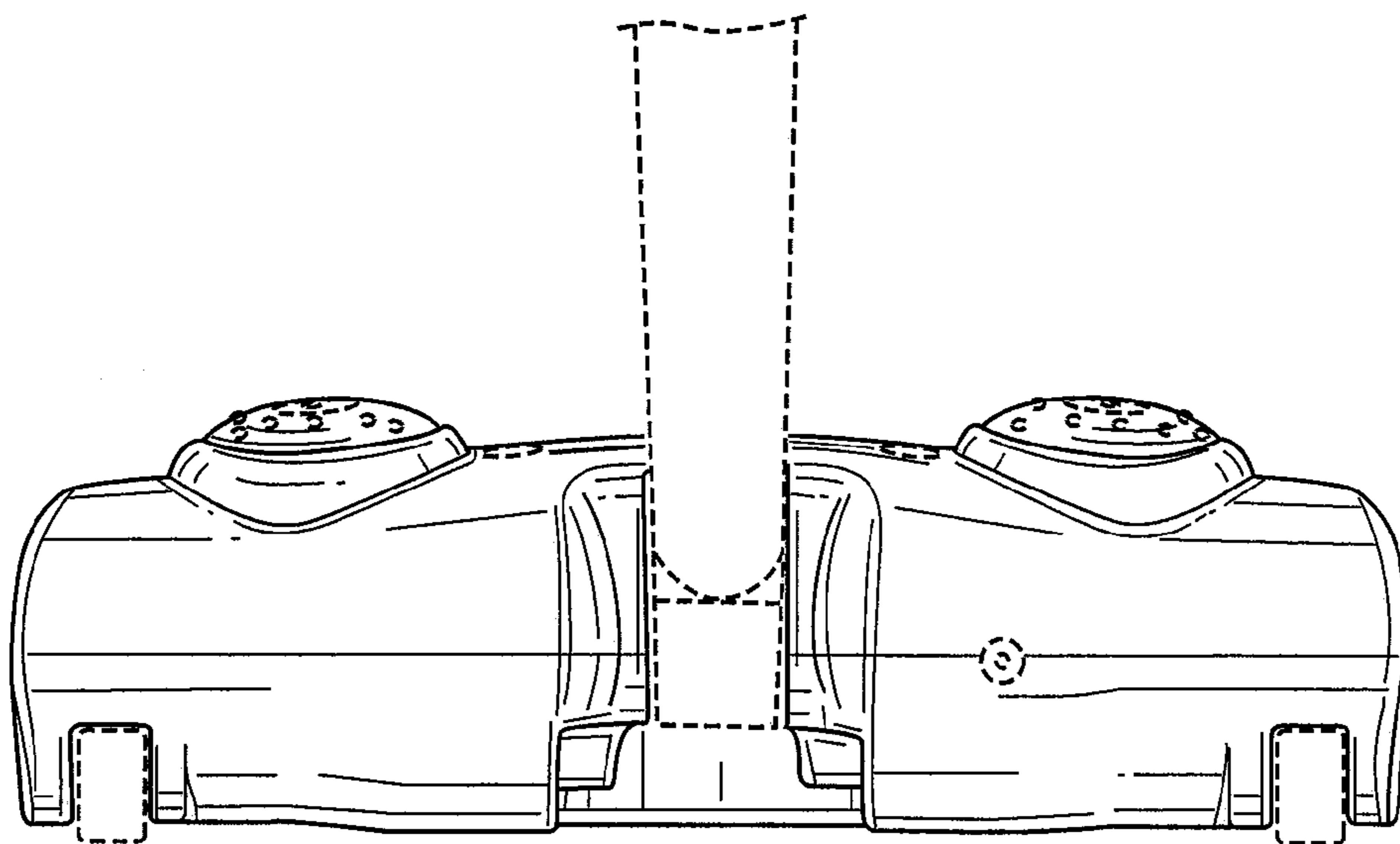


FIG. 24

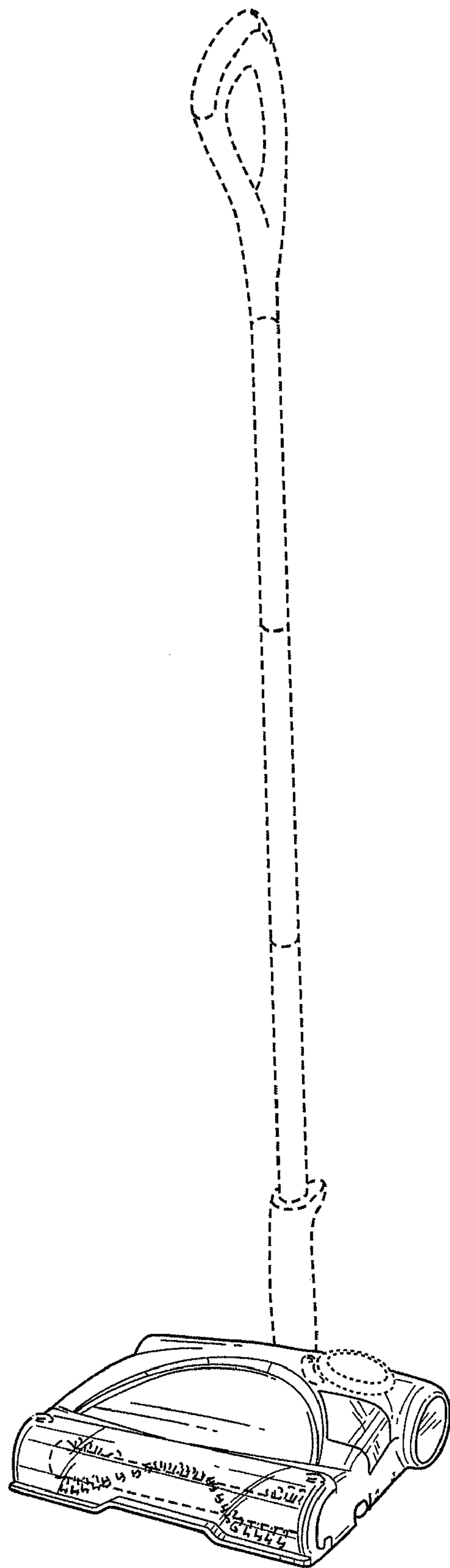


FIG. 25