

US00D560865S

(12) **United States Design Patent**
Griffin et al.

(10) **Patent No.: US D560,865 S**

(45) **Date of Patent: ** Jan. 29, 2008**

(54) **VACUUM**

(75) Inventors: **John Griffin**, Phoenix, AZ (US);
Robert Lent Crevling, Jr.,
Williamsport, PA (US); **Cory F. Girton**,
Jersey Shore, PA (US)

(73) Assignee: **Shop Vac Corporation**, Williamsport,
PA (US)

(**) Term: **14 Years**

(21) Appl. No.: **29/260,634**

(22) Filed: **May 30, 2006**

(51) **LOC (8) Cl. 15-05**

(52) **U.S. Cl. D32/31**

(58) **Field of Classification Search** D32/21,
D32/23-24, 31; 15/257.01, 301, 315, 319-321,
15/323, 327.1-327.4, 327.6-327.7, 329,
15/336, 347, 352-353, 412; 55/337, 429,
55/345; 95/271; 210/512.1, 512.2; 211/87.01,
211/13.1; 700/245

See application file for complete search history.

(56) **References Cited**

U.S. PATENT DOCUMENTS

D358,010 S *	5/1995	Berfield et al.	D32/23
D383,575 S *	9/1997	Griffin	D32/23
D389,962 S *	1/1998	Berfield et al.	D32/23
D426,359 S	6/2000	Griffin et al.	
D429,042 S *	8/2000	Griffin et al.	D32/23
D430,712 S *	9/2000	Song	D32/21
D434,537 S	11/2000	Griffin et al.	
D437,464 S *	2/2001	Song	D32/23
D446,892 S	8/2001	Griffin	
D447,844 S	9/2001	Griffin	

D460,230 S	7/2002	Griffin	
D470,279 S	2/2003	Griffin et al.	
D494,327 S *	8/2004	Song	D32/21
D512,545 S	12/2005	Griffin	

OTHER PUBLICATIONS

U.S. Appl. No. 29/224,356, Griffin et al.

* cited by examiner

Primary Examiner—Ruth McInroy

(74) *Attorney, Agent, or Firm*—Marshall, Gerstein & Borun
LLP

(57) **CLAIM**

The ornamental design for a vacuum, as shown and
described.

DESCRIPTION

FIG. 1 is a perspective view of a vacuum showing our new
design;

FIG. 2 is a front elevational view thereof;

FIG. 3 is a rear elevational view thereof;

FIG. 4 is a right side elevational view thereof;

FIG. 5 is a top plan view thereof;

FIG. 6 is a perspective view of a second embodiment
thereof;

FIG. 7 is a front elevational view of FIG. 6;

FIG. 8 is a rear elevational view of FIG. 6;

FIG. 9 is a right side elevational view of FIG. 6; and,

FIG. 10 is a top plan view of FIG. 6.

The broken lines seen in the figures are for illustrative
purposes only and form no part of the claimed design.

1 Claim, 10 Drawing Sheets

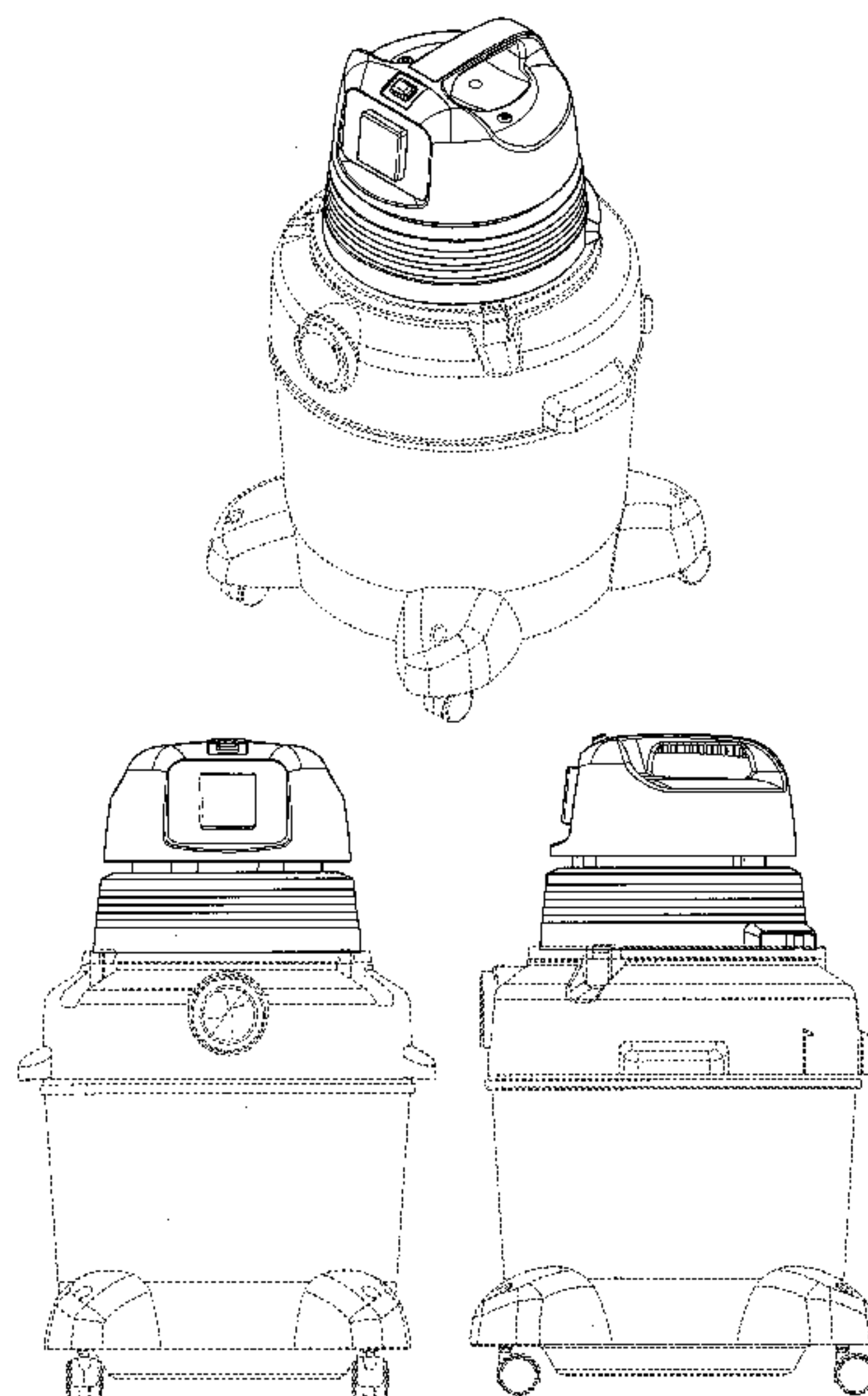


FIG. 1

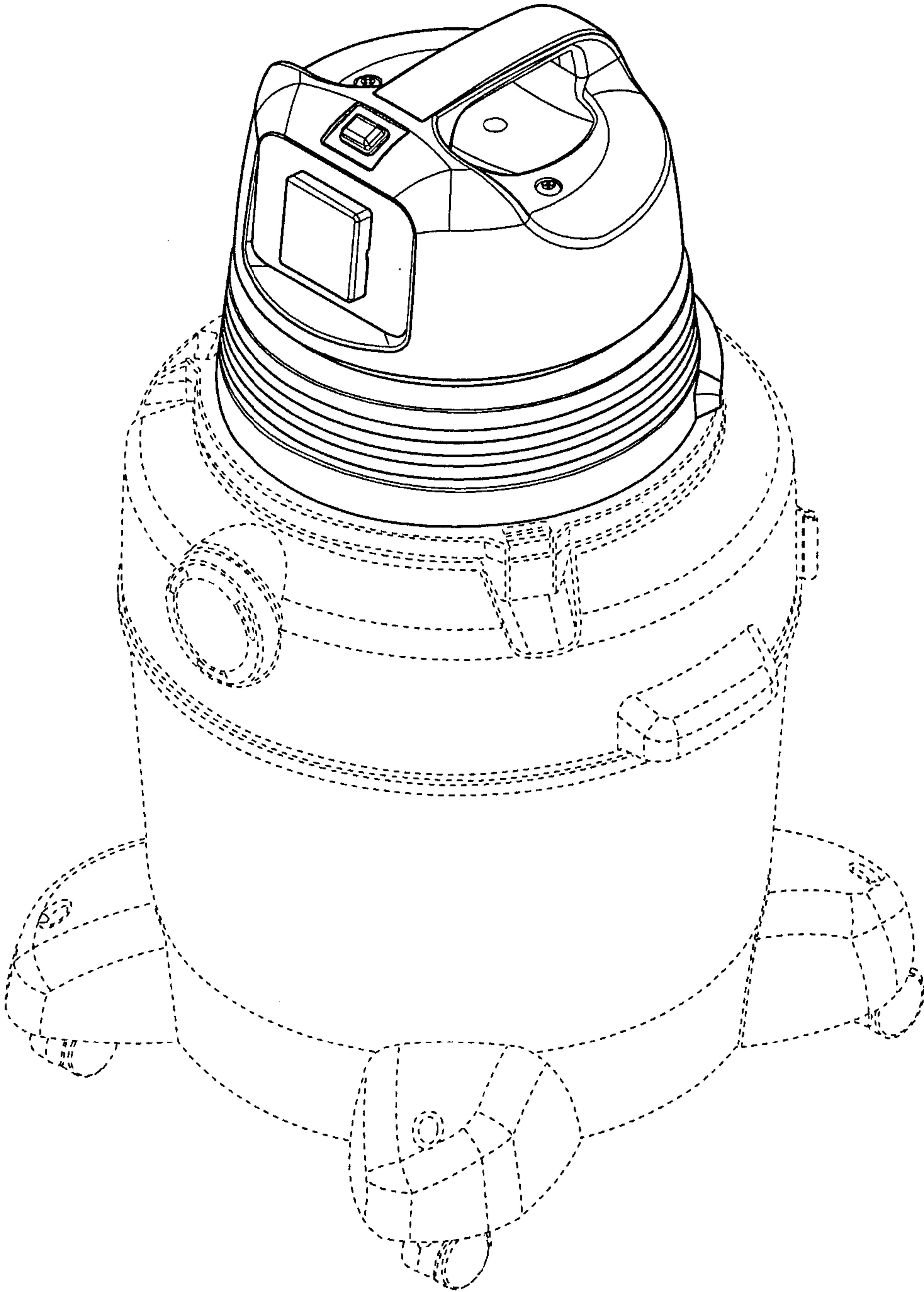


FIG. 2

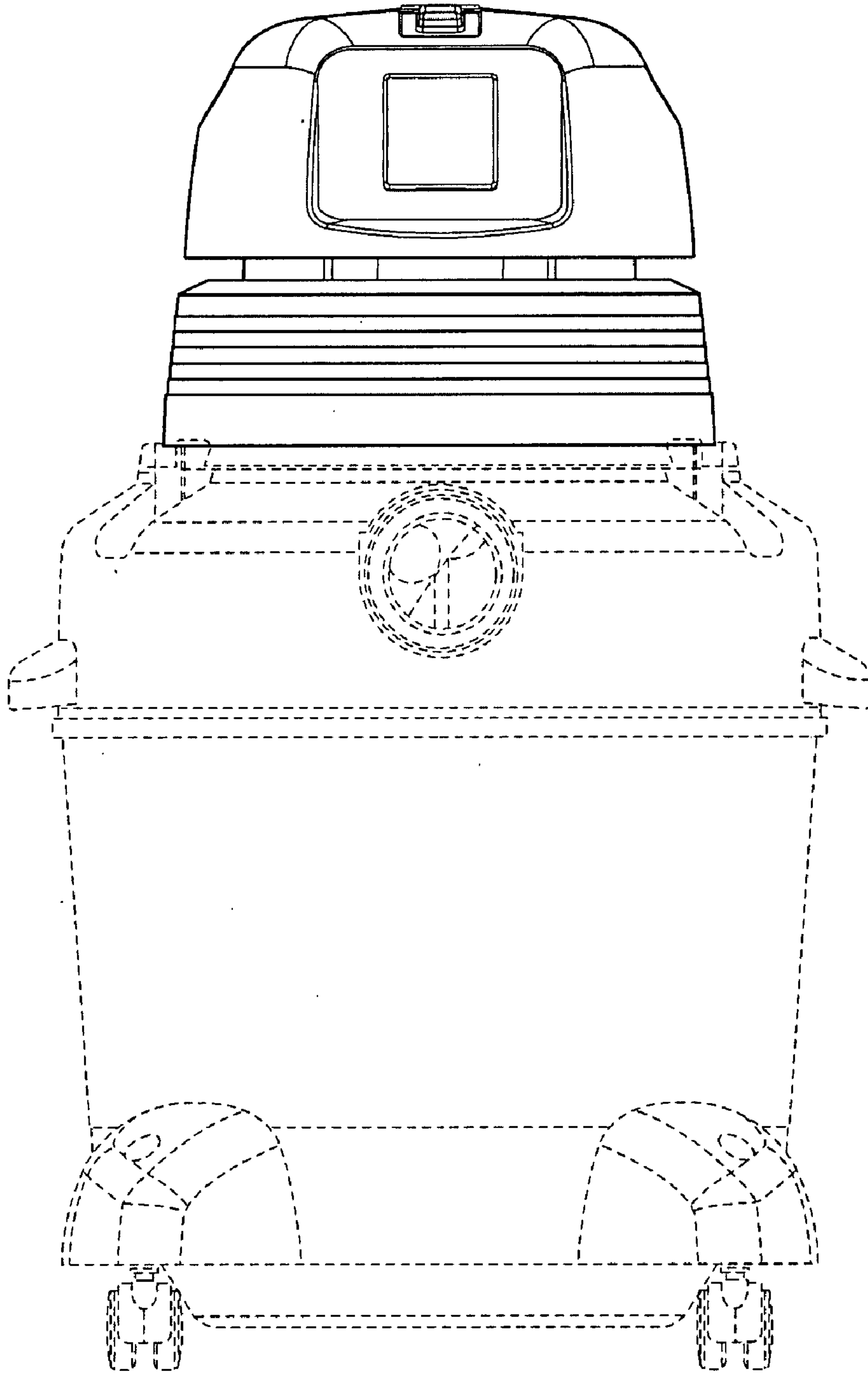


FIG. 3

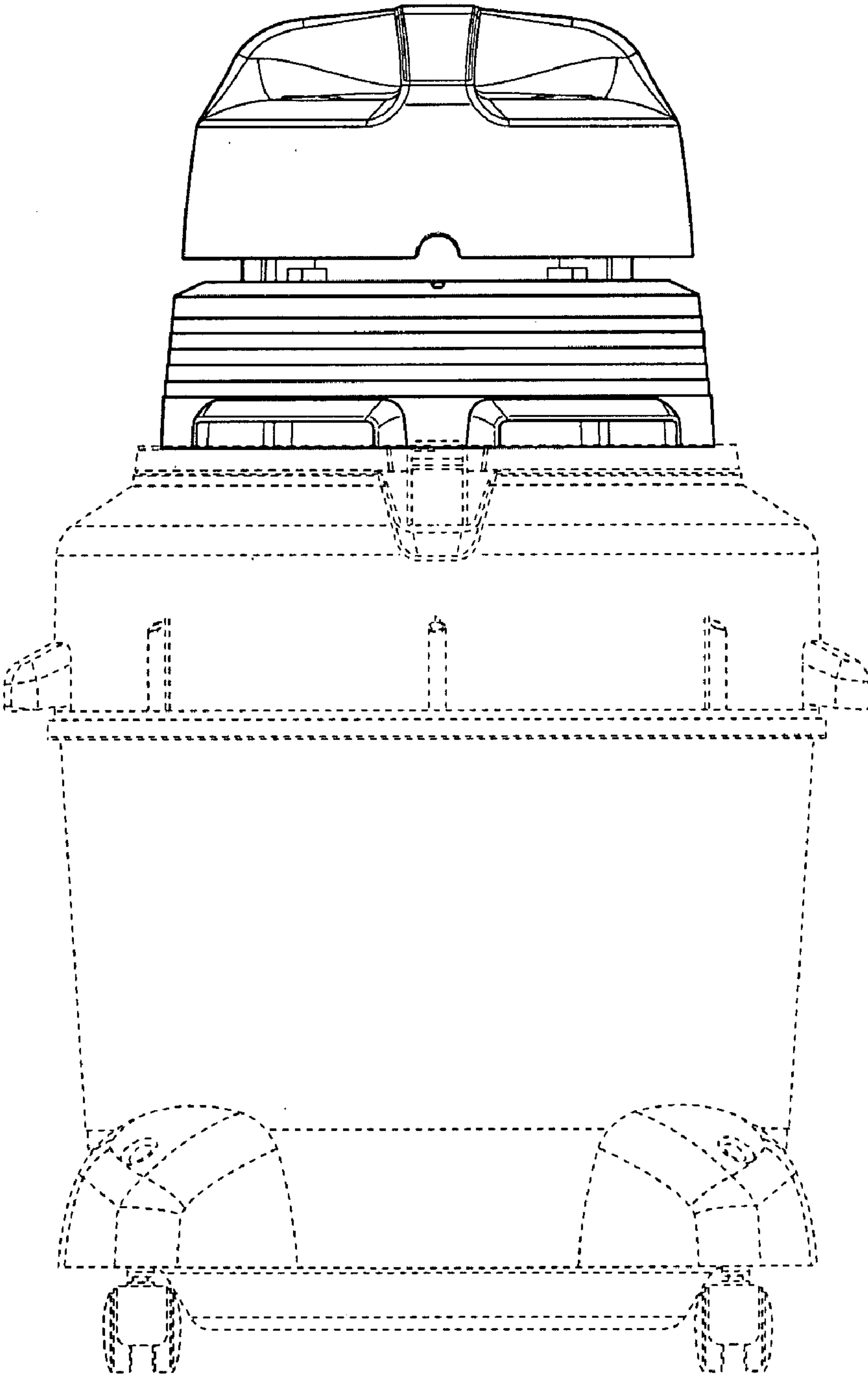


FIG. 4

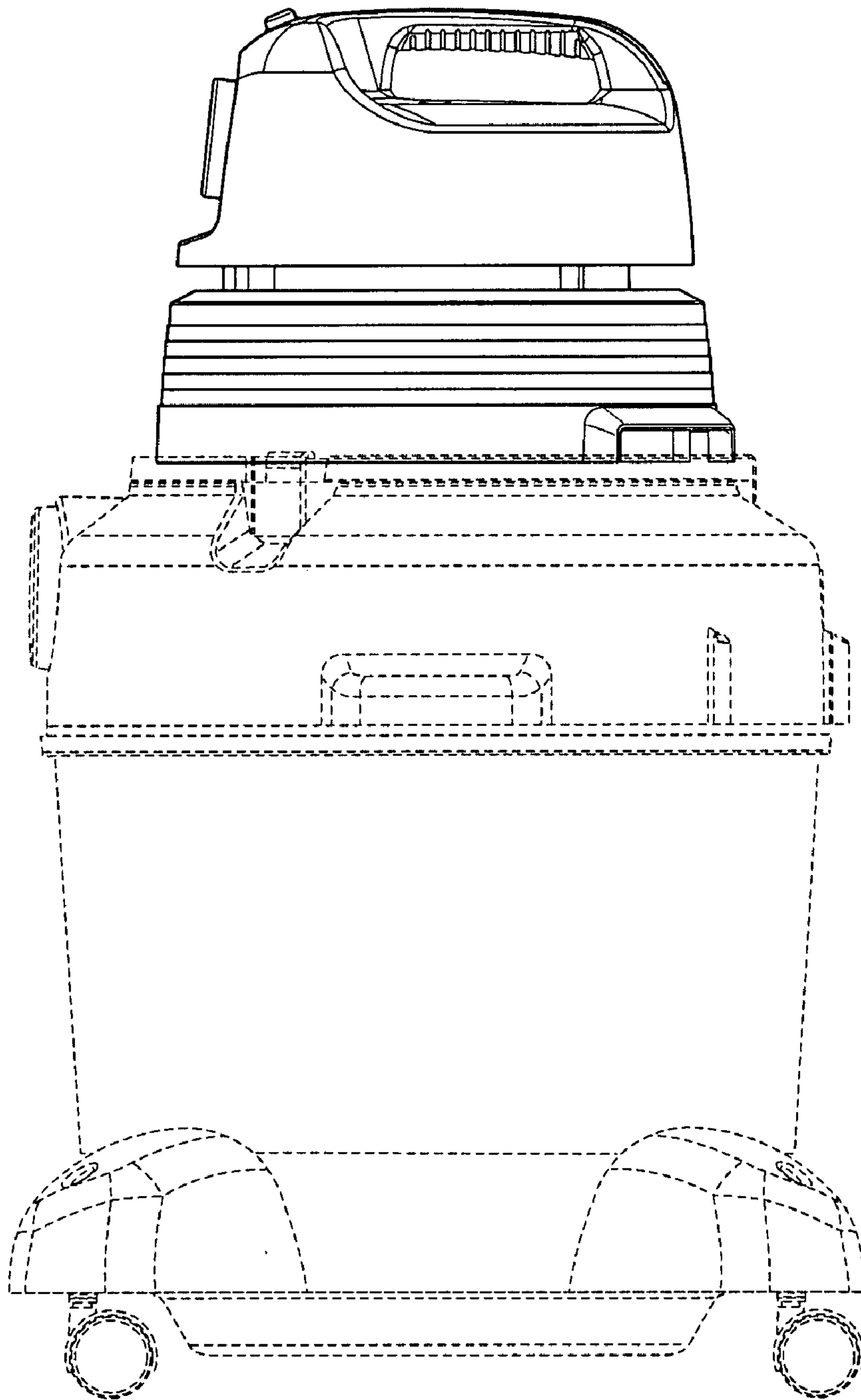


FIG. 5

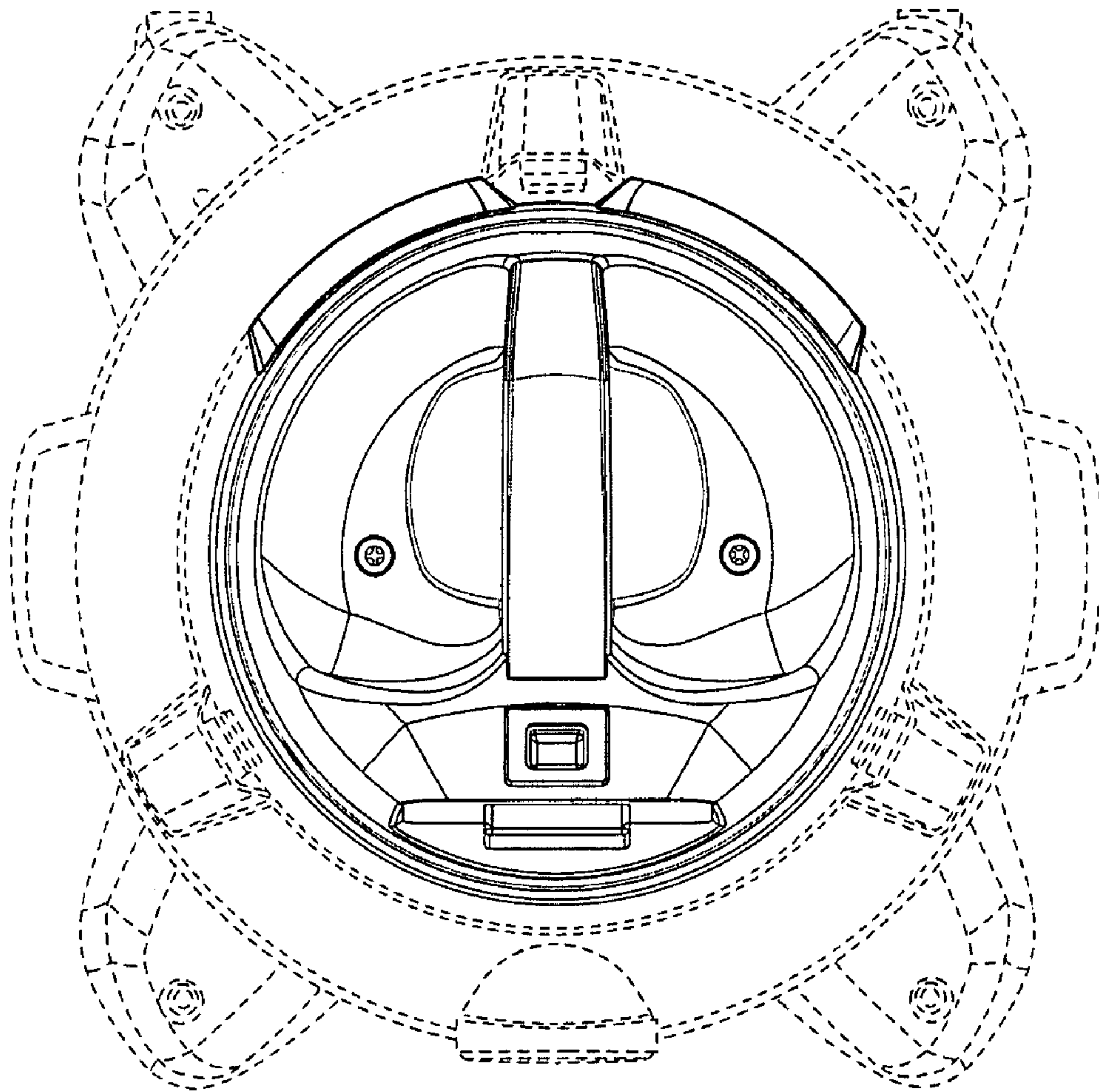


FIG. 6

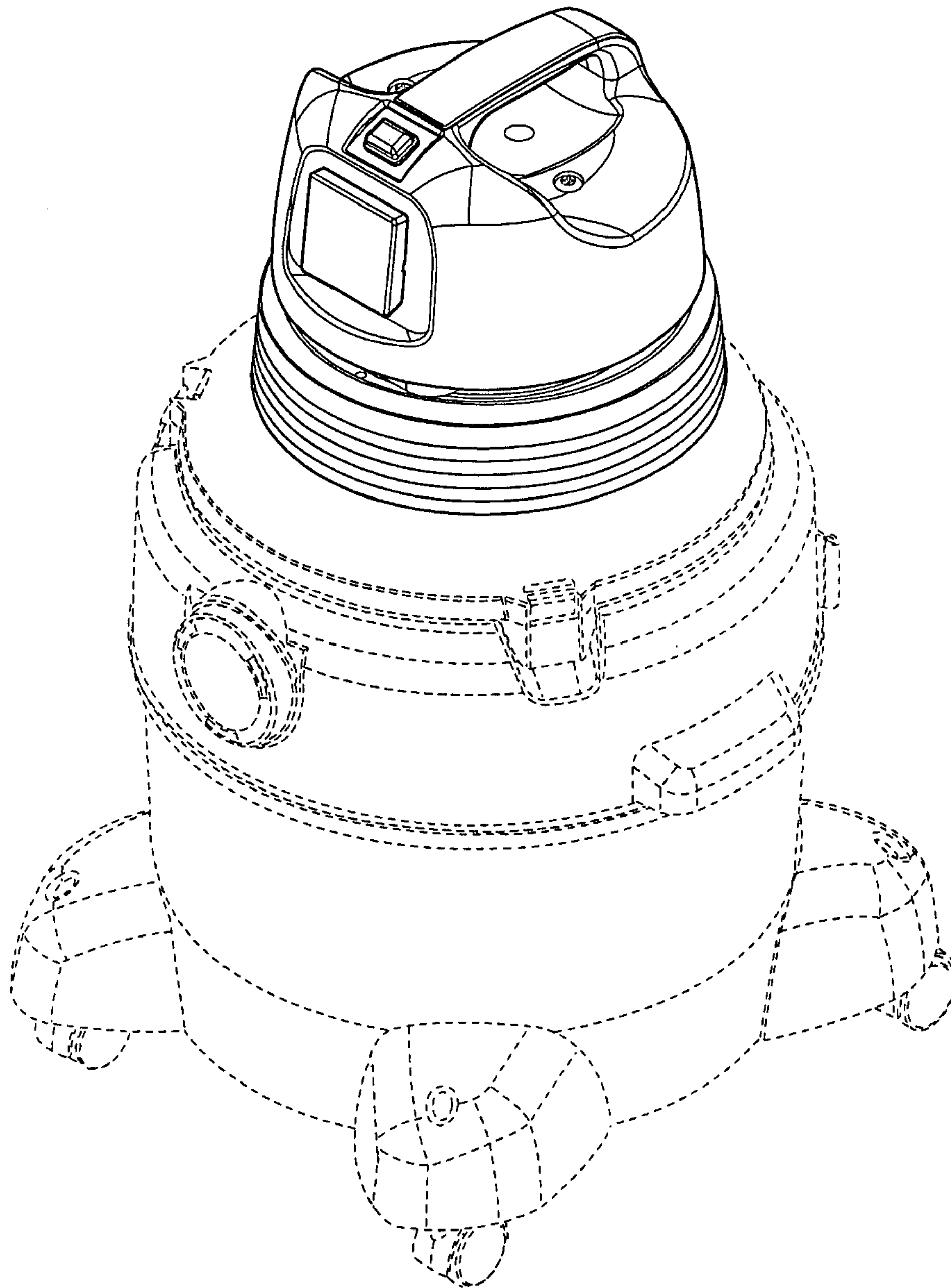


FIG. 7

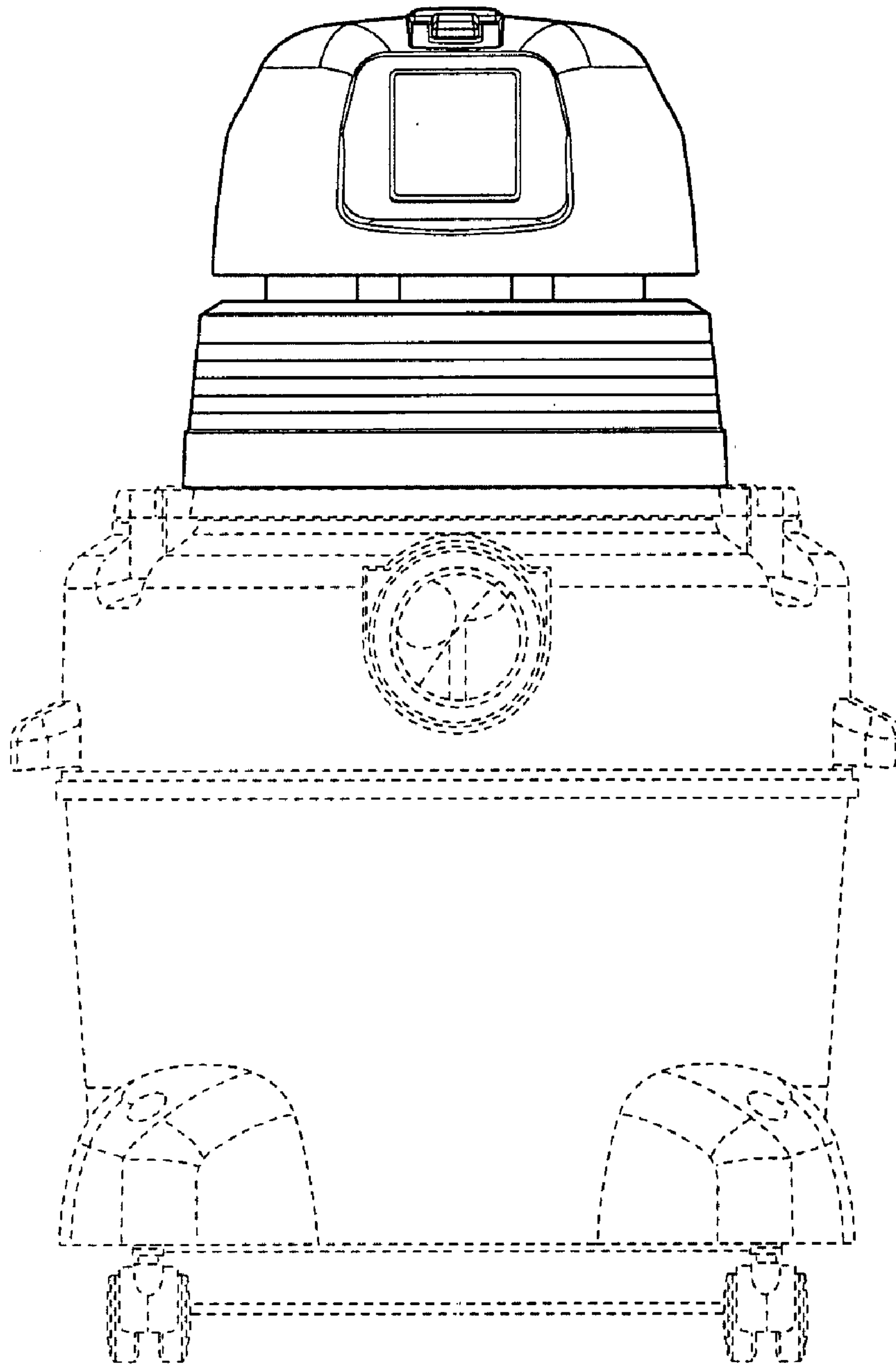


FIG. 8

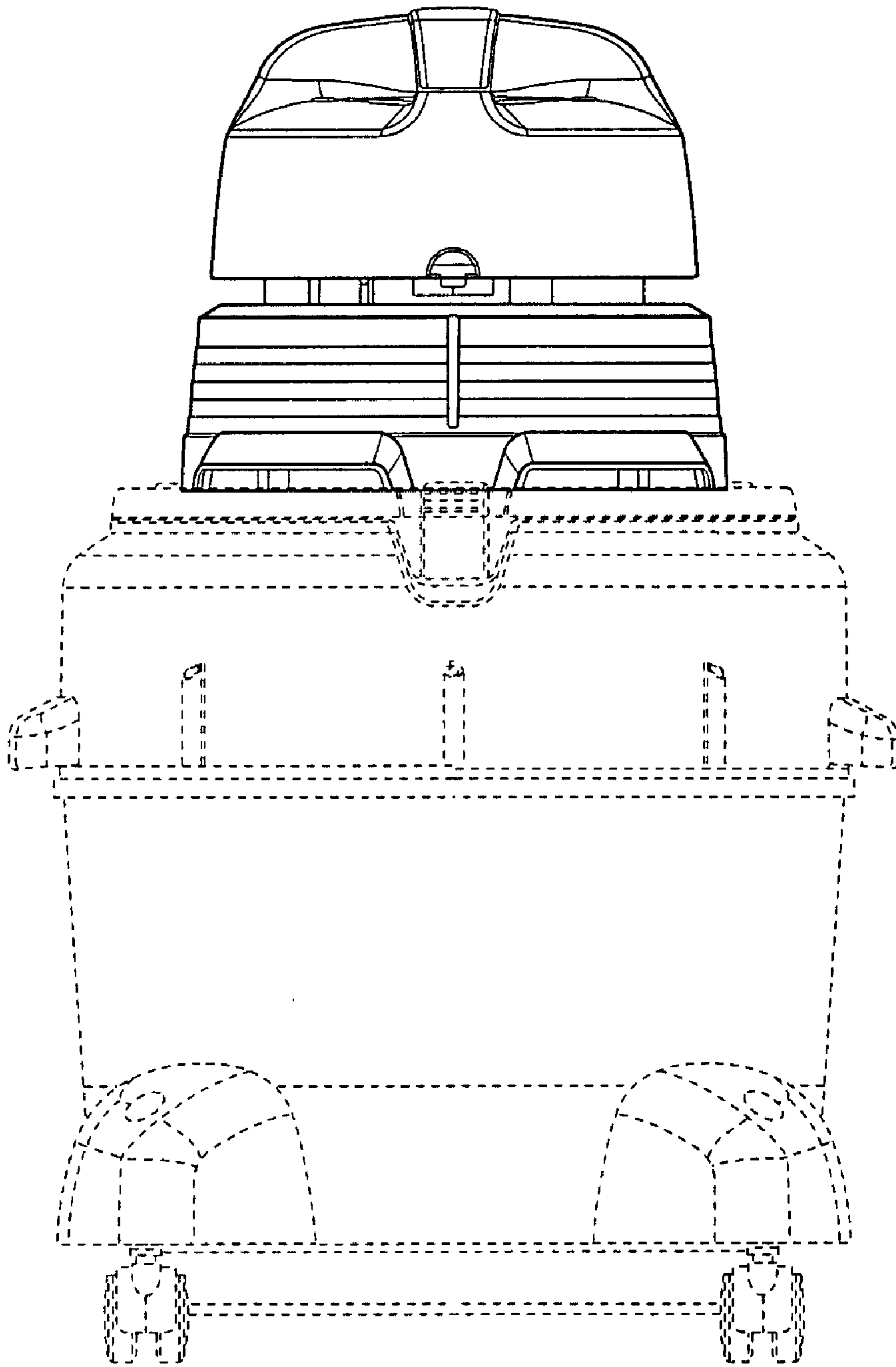


FIG. 9

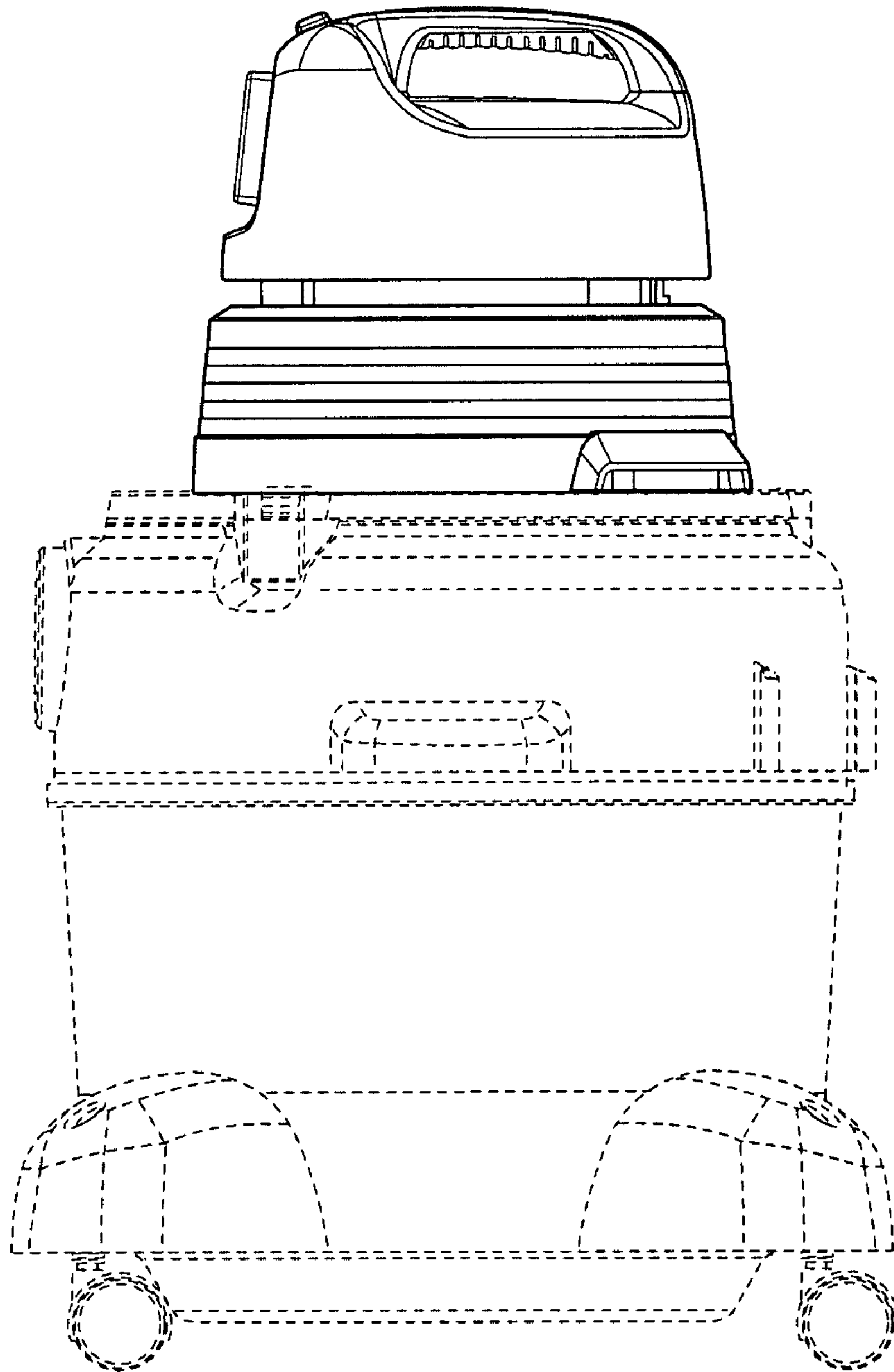


FIG. 10

