



US00D560864S

(12) **United States Design Patent**
Lüke

(10) **Patent No.:** **US D560,864 S**

(45) **Date of Patent:** **** Jan. 29, 2008**

(54) **LIQUID SUCTION DEVICE**

(75) **Inventor:** **Wilfried Lüke**, Schloss
Holte-Stukenbrock (DE)

(73) **Assignee:** **OASE GmbH**, Hörstel-Riesenbeck
(DE)

(**) **Term:** **14 Years**

(21) **Appl. No.:** **29/233,661**

(22) **Filed:** **Jul. 8, 2005**

(30) **Foreign Application Priority Data**

Jan. 11, 2005 (EM) 000278098-0001/0003

(51) **LOC (8) Cl.** **15-05**

(52) **U.S. Cl.** **D32/23**

(58) **Field of Classification Search** D32/15,
D32/17, 21, 23, 24, 31; 15/320, 321, 327.1,
15/327.2, 327.4, 327.6, 327.7, 353, 329;
134/105, 198, 21; 392/403; 8/149.3; 55/315,
55/428-429, 482, 472; 68/5 R, 5 A, 5 B,
68/222

See application file for complete search history.

(56) **References Cited**

U.S. PATENT DOCUMENTS

D253,472 S * 11/1979 Cannon et al. D32/23
D297,061 S * 8/1988 Kent D32/21
D388,565 S * 12/1997 Pietrobon D32/23
D394,132 S * 5/1998 Dixon D32/21
D422,386 S * 4/2000 Jaros et al. D32/21
D429,857 S * 8/2000 Griffin D32/23

D438,353 S * 2/2001 Hoshino et al. D32/23
D445,548 S * 7/2001 Griffin D32/21
D447,843 S * 9/2001 Griffin D32/23
D507,388 S * 7/2005 Griffin D32/23

* cited by examiner

Primary Examiner—Ruth McInroy

(74) *Attorney, Agent, or Firm*—Gudrun E. Huckett

(57) **CLAIM**

The ornamental design for a liquid suction device, as shown and described.

DESCRIPTION

FIG. 1 is a perspective view of my liquid suction device showing a coiled flexible suction hose and a suction tube connected to the hose and a second flexible hose connected to the rear;

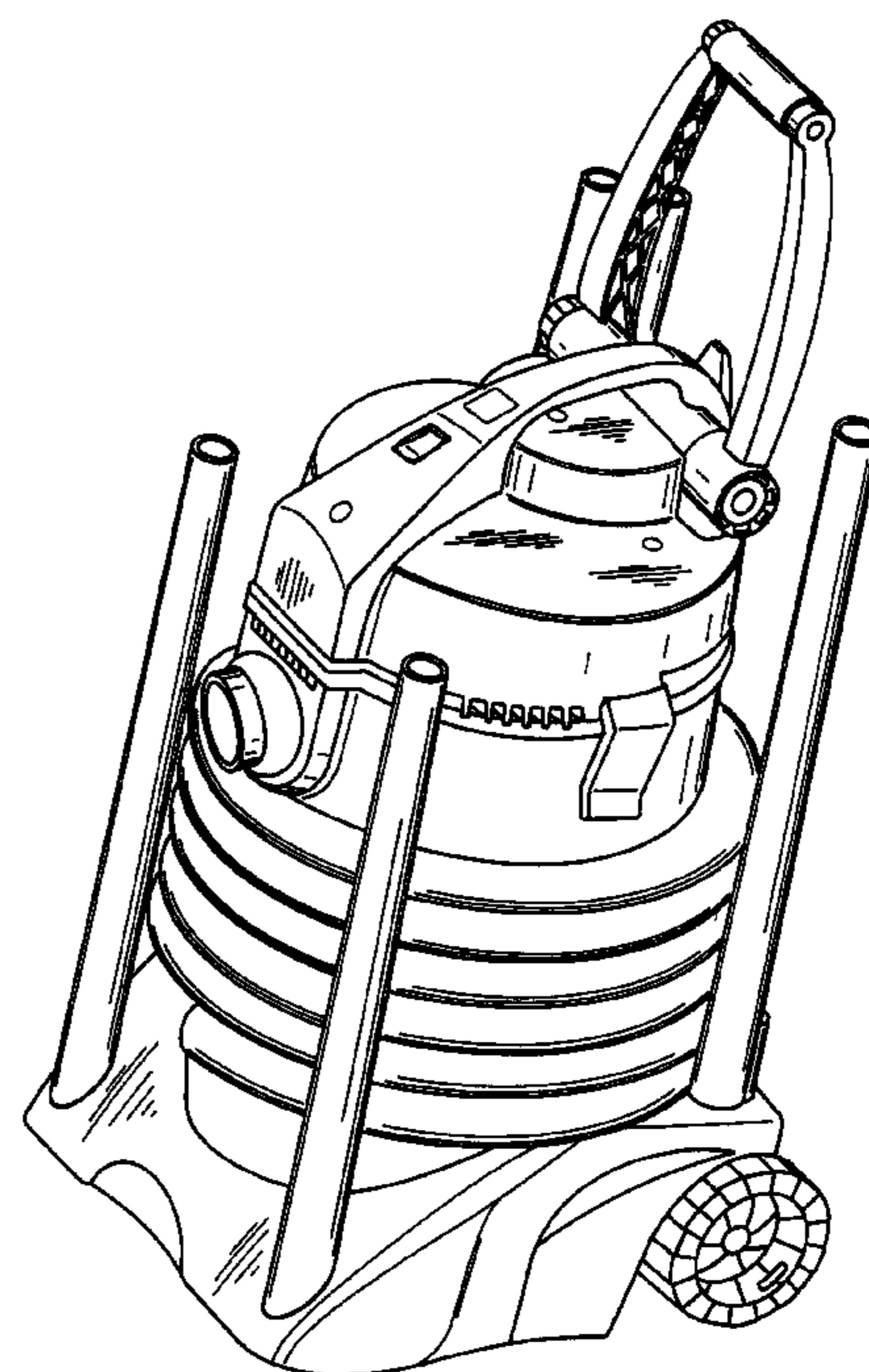
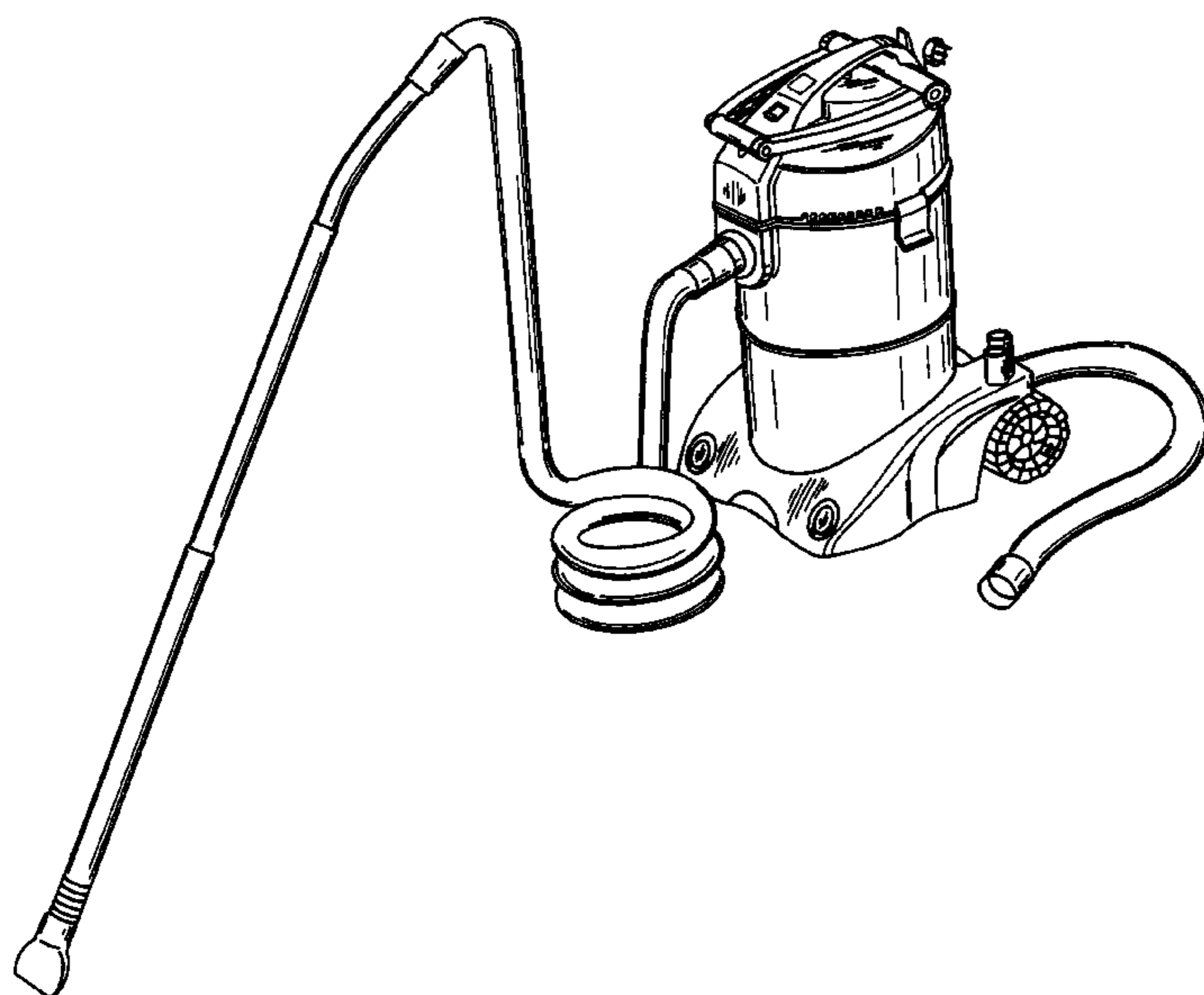
FIG. 2 is a perspective view of my liquid suction device, the flexible hose being shown in a stowed position and the suction tube parts of the sectioned suction tube inserted upright into receiving means at the bottom of the device;

FIG. 3 is a perspective front view of my liquid suction device showing the device housing without any auxiliaries for clarity of illustration; and,

FIG. 4 is a perspective rear view of my liquid suction device showing the device housing without any auxiliaries for clarity of illustration.

The claimed design is shown in FIG. 1. FIG. 2 is shown without the nozzle and FIGS. 3 and 4 are shown without the suction tube and the auxiliary hose for clarity of illustration.

1 Claim, 4 Drawing Sheets



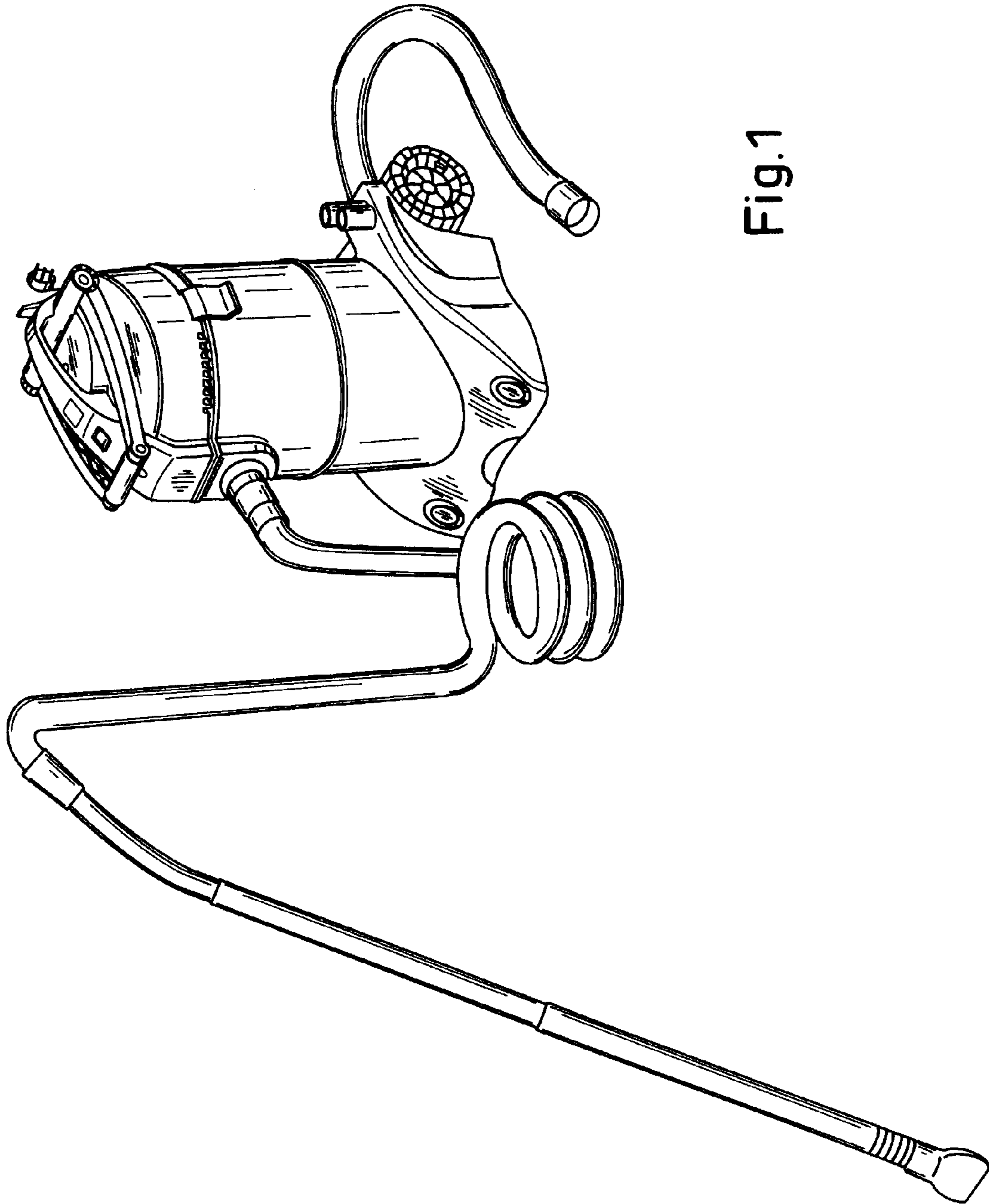


Fig.1

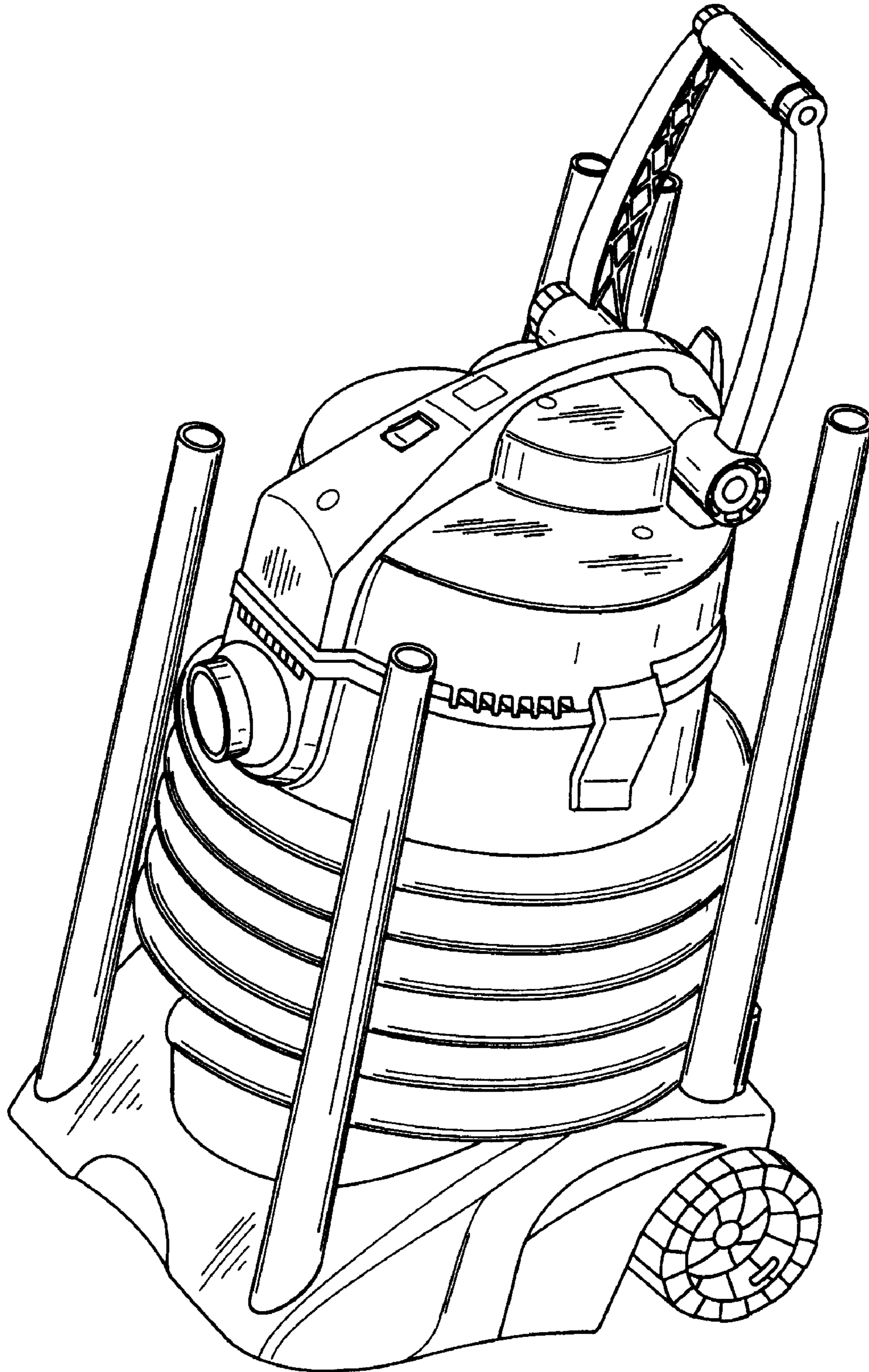


Fig.2

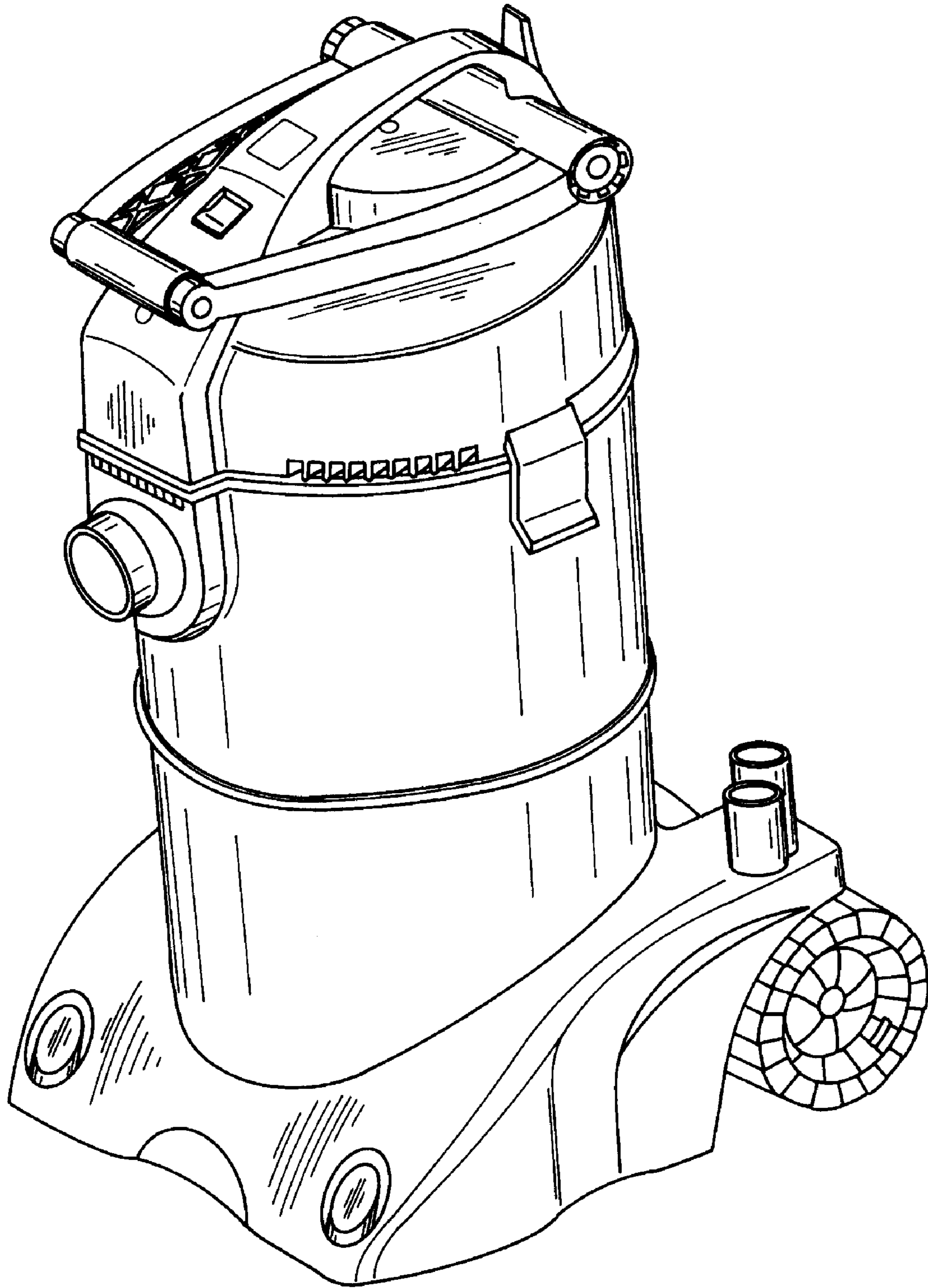


Fig.3

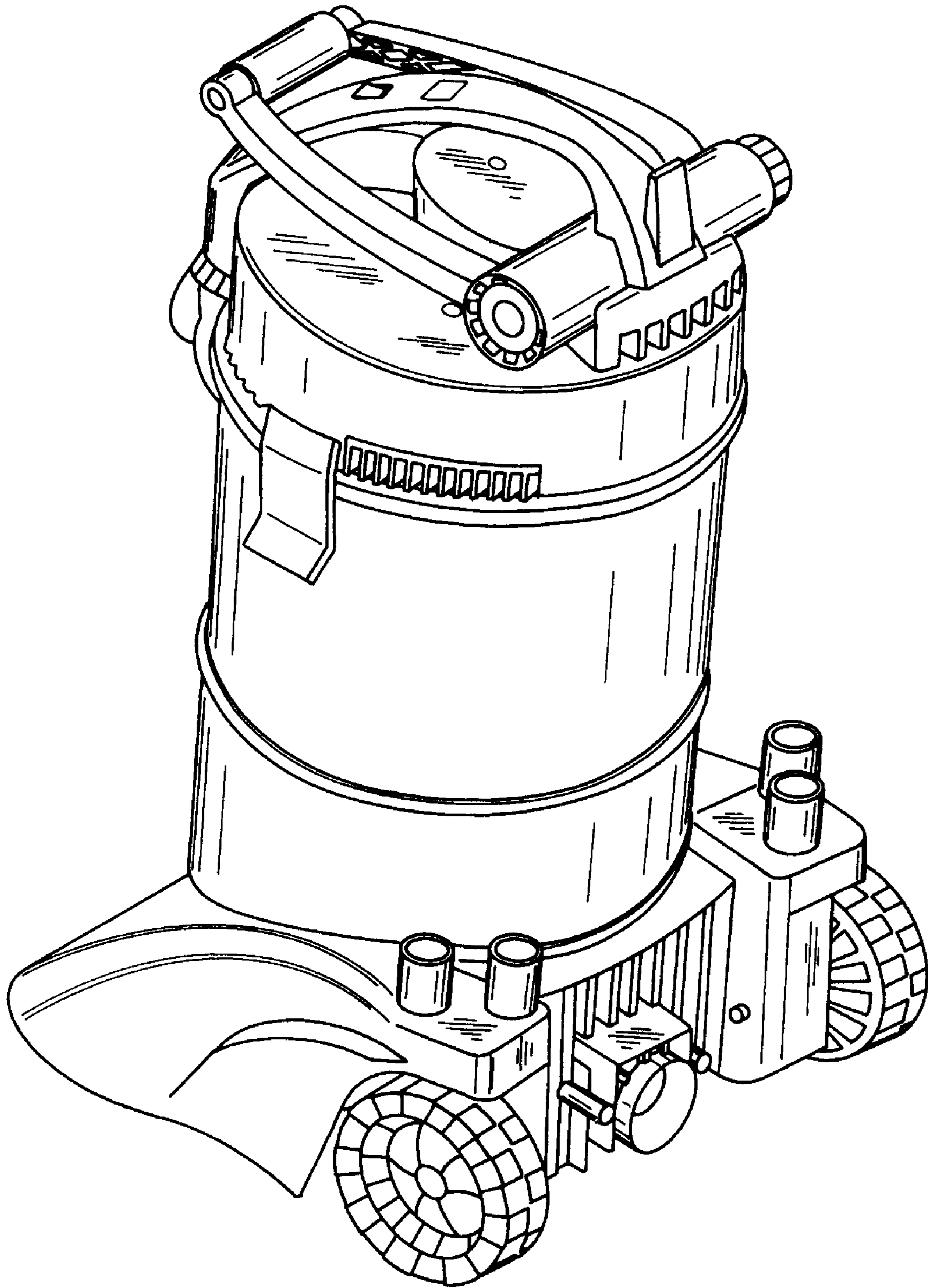


Fig.4