

US00D560863S

(12) **United States Design Patent**
Baldwin

(10) **Patent No.:** **US D560,863 S**
(45) **Date of Patent:** **** Jan. 29, 2008**

(54) **DISHWASHER FRONT PANEL**

(75) Inventor: **Mark W. Baldwin**, St. Joseph, MI (US)

(73) Assignee: **Whirlpool Corporation**, Benton Harbor, MI (US)

(**) Term: **14 Years**

(21) Appl. No.: **29/279,784**

(22) Filed: **May 8, 2007**

(51) **LOC (8) Cl.** **15-05**

(52) **U.S. Cl.** **D32/3**

(58) **Field of Classification Search** D32/1,
D32/2, 3, 4, 8, 25, 6, 28, 30; D7/340, 406;
134/200, 201, 57 D, 57 DL, 58 DC, 58 DL;
312/31; 68/112; 34/596

See application file for complete search history.

(56) **References Cited**

U.S. PATENT DOCUMENTS

D472,023	S	*	3/2003	Jones et al.	D32/3
D473,980	S	*	4/2003	Bowser et al.	D32/3
D493,016	S	*	7/2004	Kaczmarek	D32/3
D511,870	S	*	11/2005	Paik	D32/2
D517,252	S	*	3/2006	Kirk	D32/3
D538,983	S	*	3/2007	Green et al.	D32/3

OTHER PUBLICATIONS

http://us.st11.yimg.com/us.st.yimg.com/l/usappliance_1962_35795594
Aug. 16, 2007.*

http://us.st11.yimg.com/us.st.yimg.com/l/usappliance_1961_7604957 Aug. 16, 2007.*
http://us.st11.yimg.com/us.st.yimg.com/l/usappliance_1959_57586890 Aug. 16, 2007.*
http://us.st11.yimg.com/us.st.yimg.com/l/usappliance_1961_22706516 Aug. 16, 2007.*

* cited by examiner

Primary Examiner—Stella M. Reid

Assistant Examiner—Kathleen Sims

(74) *Attorney, Agent, or Firm*—Michael D. Lafrenz; Tara M. Hartman

(57) **CLAIM**

The ornamental design for a dishwasher front panel, as shown and described.

DESCRIPTION

FIG. 1 is a right front perspective view of the dishwasher front panel;

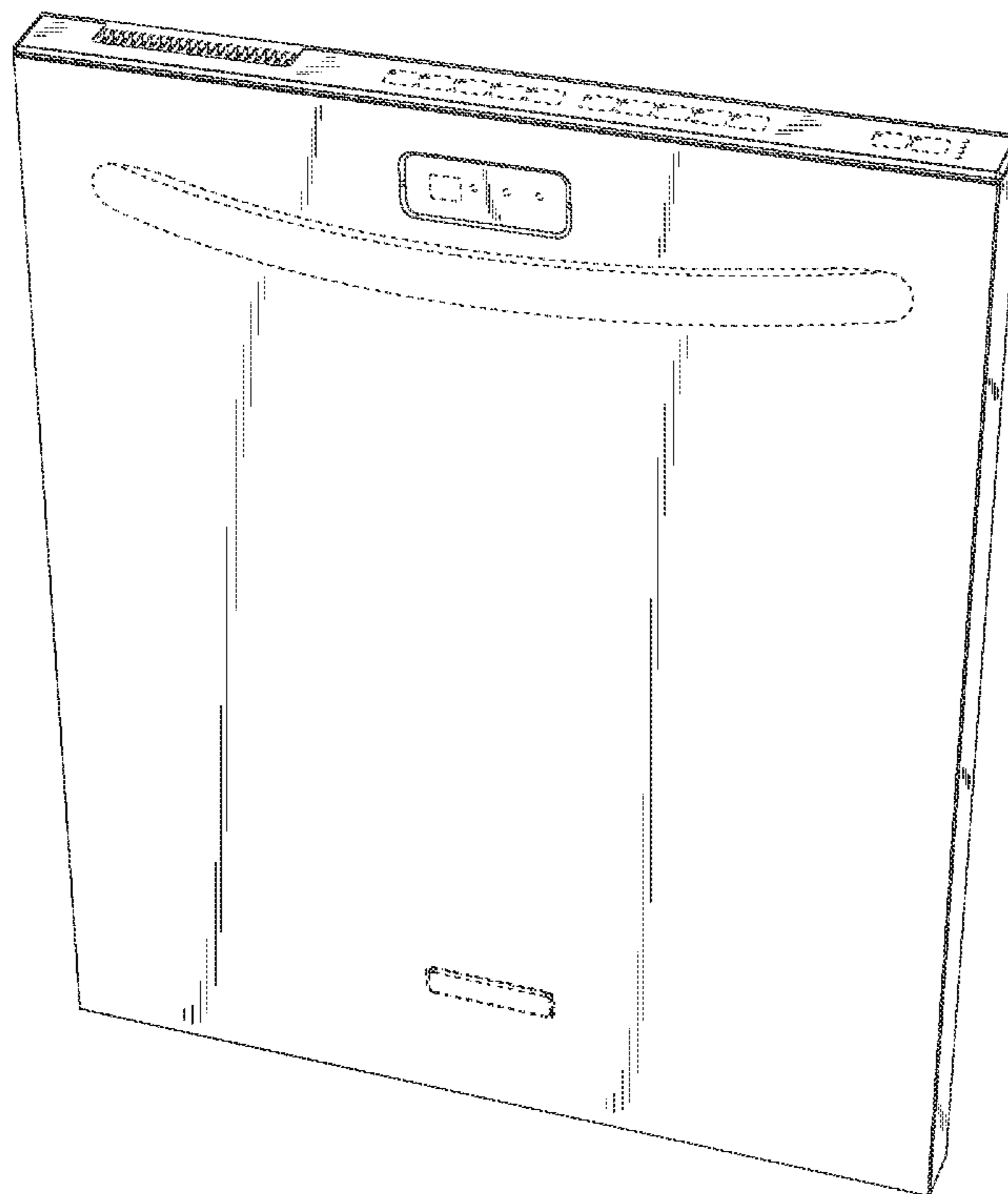
FIG. 2 is a front elevational view thereof;

FIG. 3 is a right side elevational view with the left side being a mirror image thereof; and,

FIG. 4 is a top plan view thereof.

The broken line showing of mechanical indicators on the front panel and top panel, and the small, rectangular shape on the lower front door is included for the purpose of illustrating portions of the dishwasher front panel and forms no part of the claimed design.

1 Claim, 4 Drawing Sheets



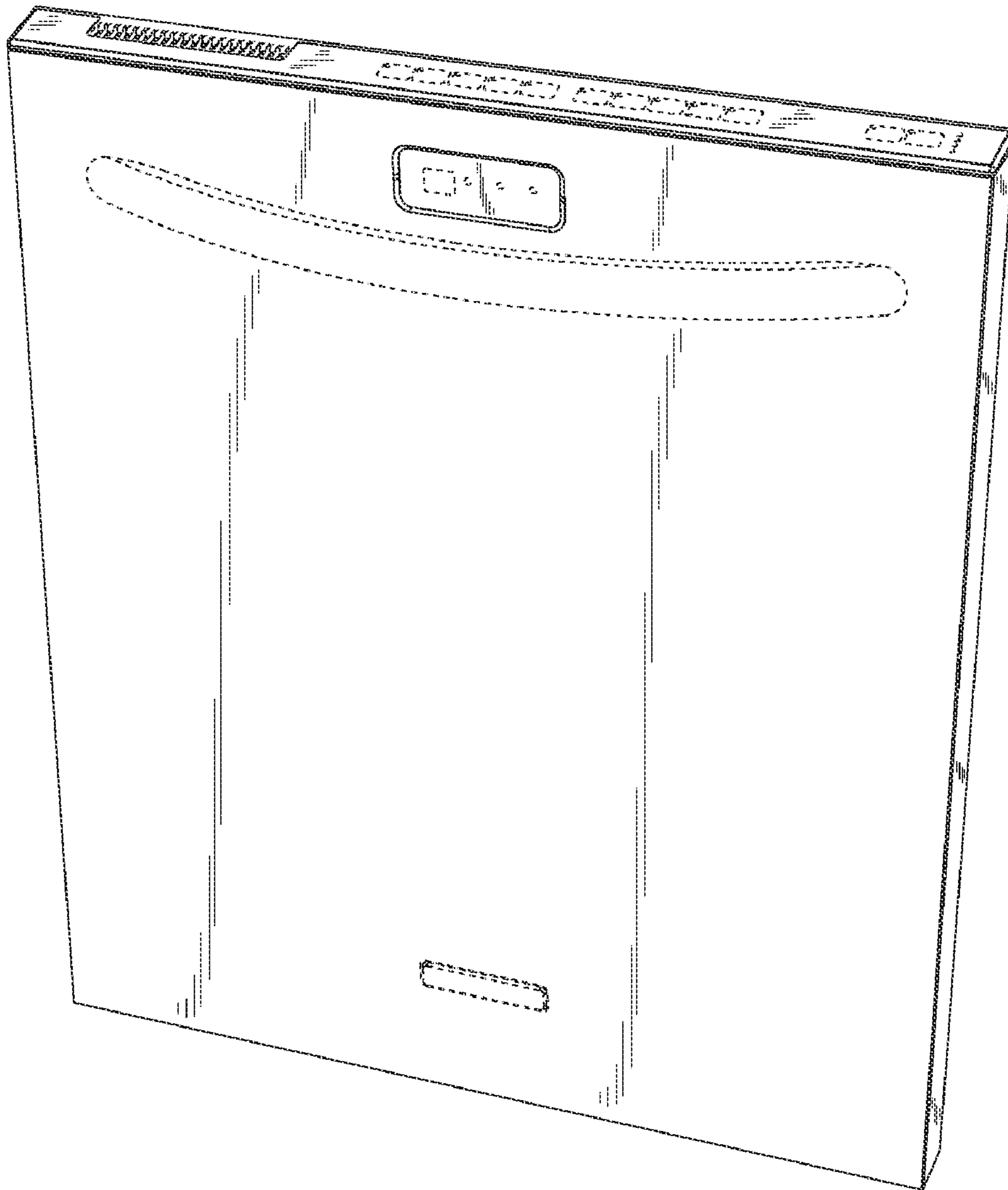


Fig. 1

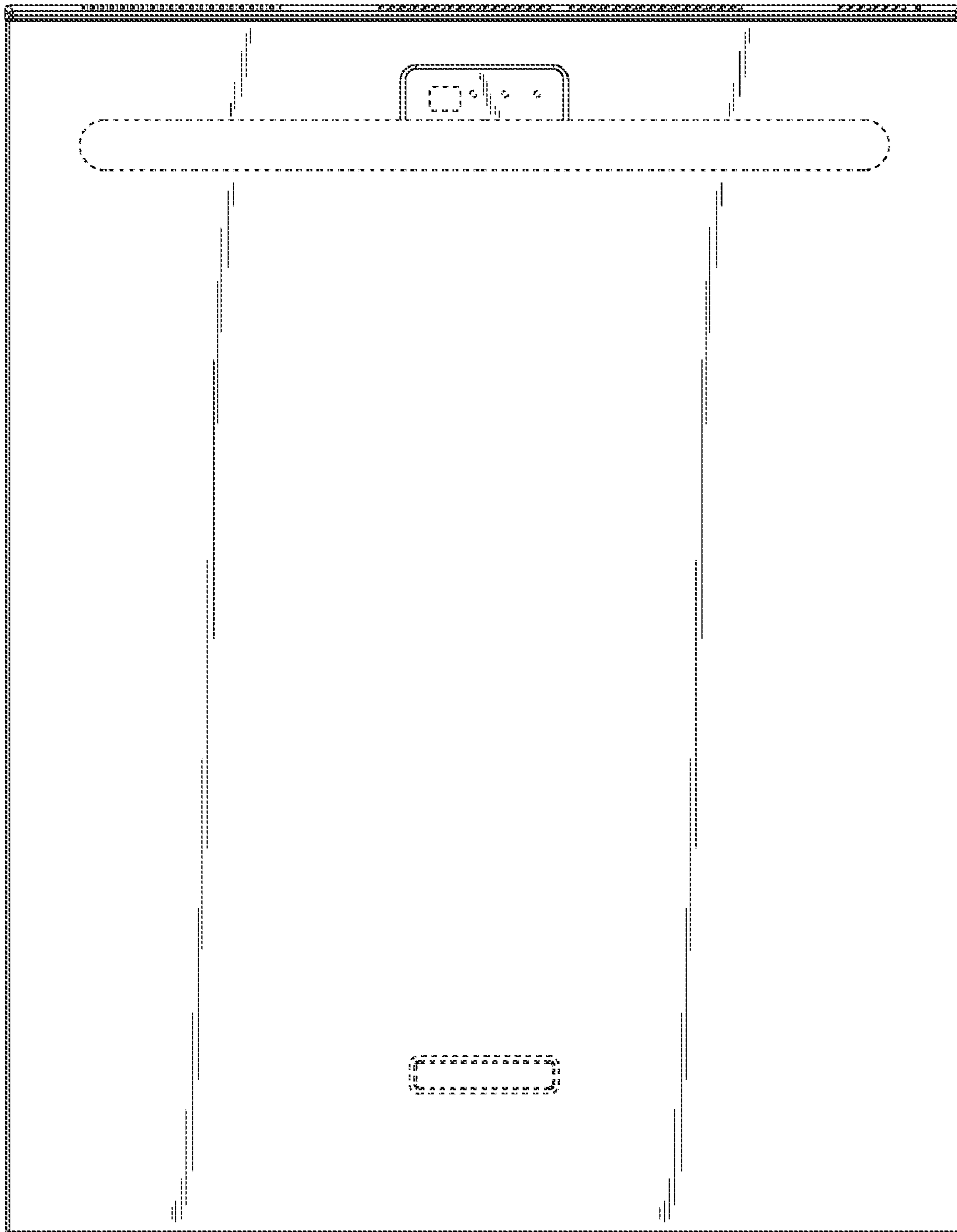


Fig. 2

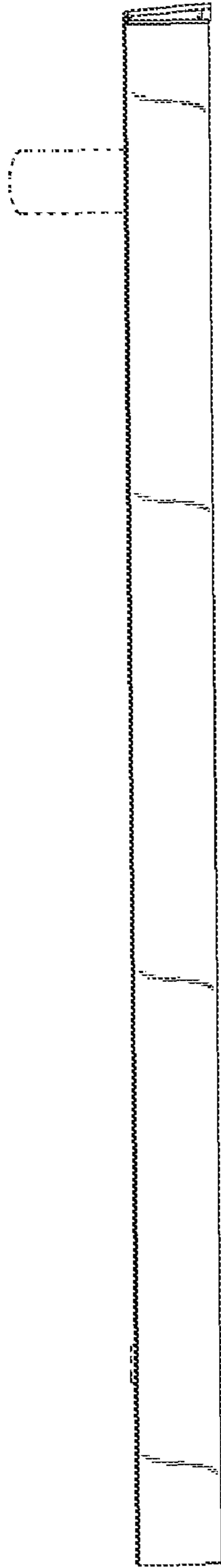


Fig. 3

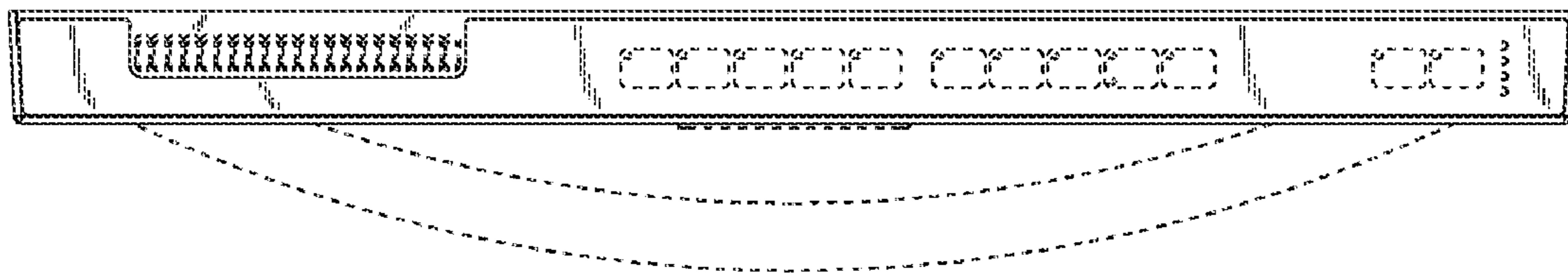


Fig. 4