



US00D560860S

(12) **United States Design Patent**
Orsburn

(10) **Patent No.:** **US D560,860 S**

(45) **Date of Patent:** **** Jan. 29, 2008**

(54) **DOG BONE DISPENSER**

(76) **Inventor:** **Robert L. Orsburn**, 229 Palmetto La.,
Bismarck, AR (US) 71929

(**) **Term:** **14 Years**

(21) **Appl. No.:** **29/239,813**

(22) **Filed:** **Oct. 5, 2005**

(51) **LOC (8) Cl.** **30-07**

(52) **U.S. Cl.** **D30/121; D30/199**

(58) **Field of Classification Search** .. 119/51.01–51.02,
119/61.57, 61.5, 52.1, 52.4, 51.11–51.13,
119/56.1, 51.5, 57.1, 53.5, 61.2, 53, 54, 72,
119/74, 346, 900, 712, 710, 702, 476; 206/216;
D30/121–133, 199; 446/475; 221/151,
221/152, 263–266, 312 B, 135, 200, 254,
221/268, 271, 197, 3, 242, 185, 8, 155, 265,
221/7, 449, 287, 178–79, 78, 643, 355, 305,
221/344, 650, 370, 505, 508, 517, 498, 548;
222/181.2, 77

See application file for complete search history.

(56) **References Cited**

U.S. PATENT DOCUMENTS

1,465,902 A * 8/1923 Gould 221/271
D151,722 S * 11/1948 Welsh D30/121
2,791,201 A * 5/1957 Jacob, Sr. 119/55

4,823,738 A * 4/1989 Gold 119/51.01
5,056,684 A * 10/1991 Beach et al. 221/197
D338,287 S * 8/1993 Tomner D30/122
5,788,117 A * 8/1998 Zimmanck 221/285
6,988,464 B1 * 1/2006 Rutledge 119/51.01

* cited by examiner

Primary Examiner—Melanie Tung

Assistant Examiner—Susan Moon Lee

(74) *Attorney, Agent, or Firm*—Stephen D. Carver

(57) **CLAIM**

The ornamental design for a dog bone dispenser, as shown.

DESCRIPTION

FIG. 1 is a front elevational view of the dog bone dispenser;

FIG. 2 is a right side elevational view thereof;

FIG. 3 is a left side elevational view thereof;

FIG. 4 is a top plan view thereof;

FIG. 5 is a bottom plan view thereof;

FIG. 6 is a rear elevational view thereof;

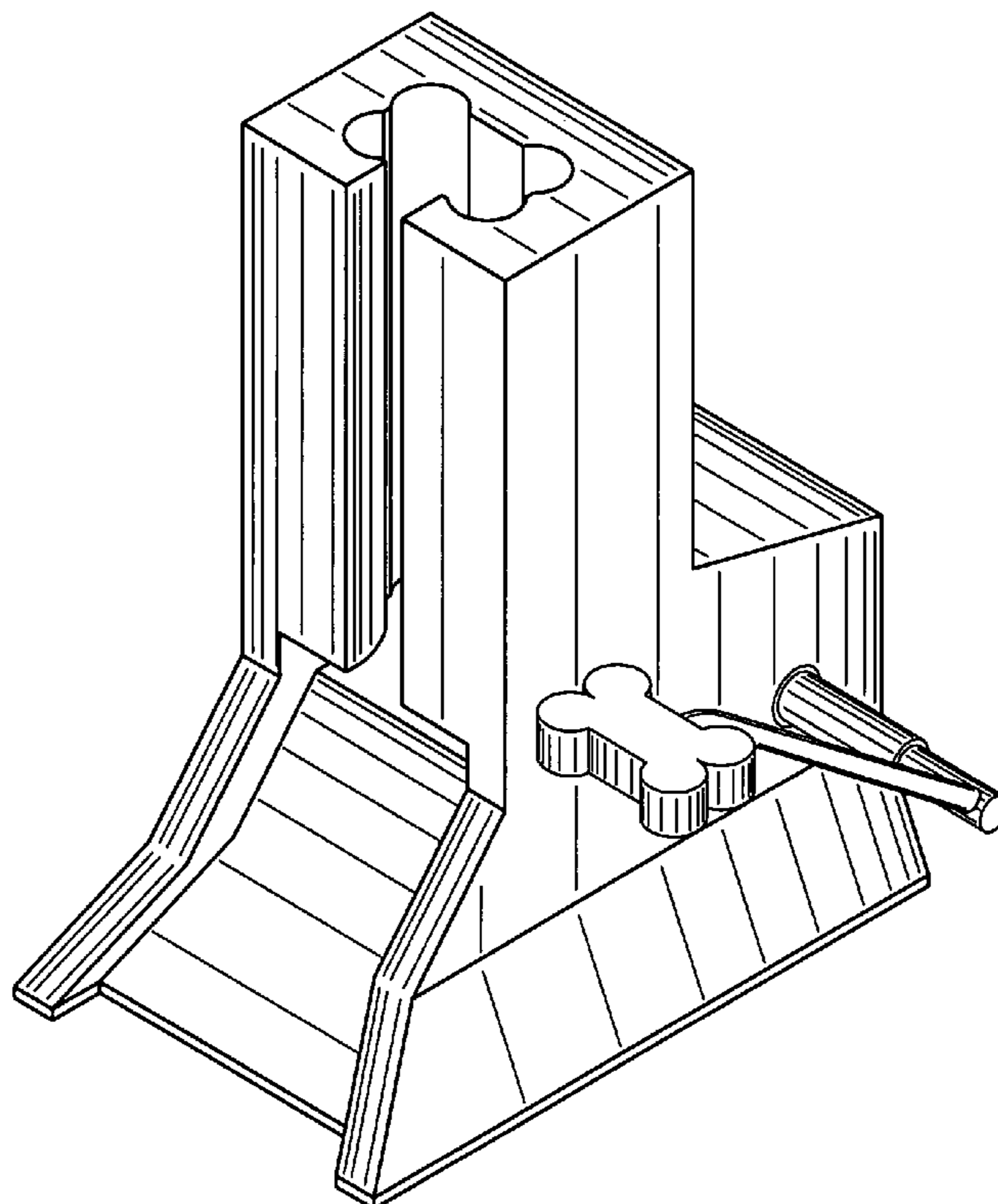
FIG. 7 is a reduced left front isometric view thereof;

FIG. 8 is a reduced right front isometric view thereof;

FIG. 9 is a reduced left rear isometric view thereof; and,

FIG. 10 is a reduced right rear isometric view thereof.

1 Claim, 10 Drawing Sheets



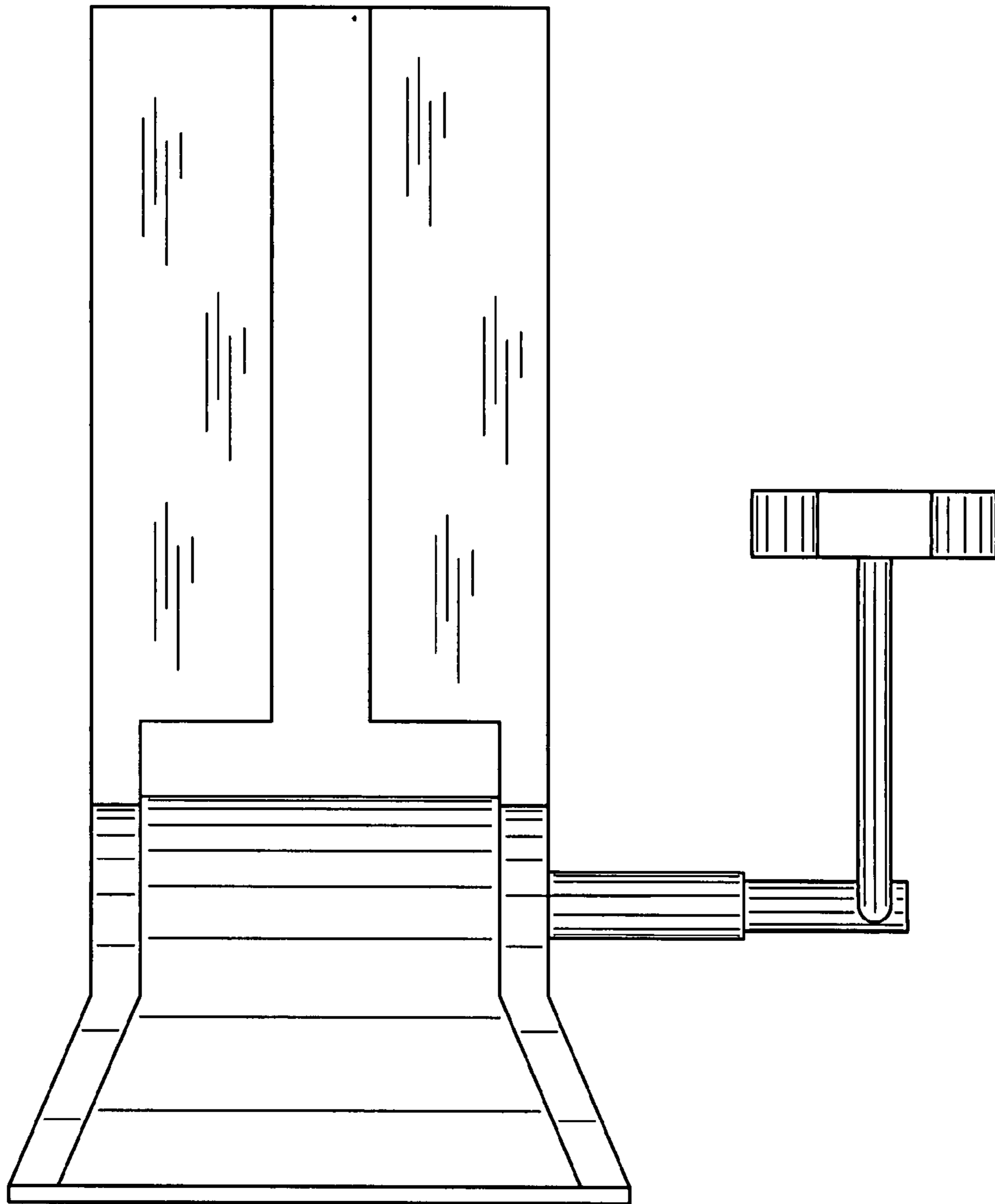


Fig. 1

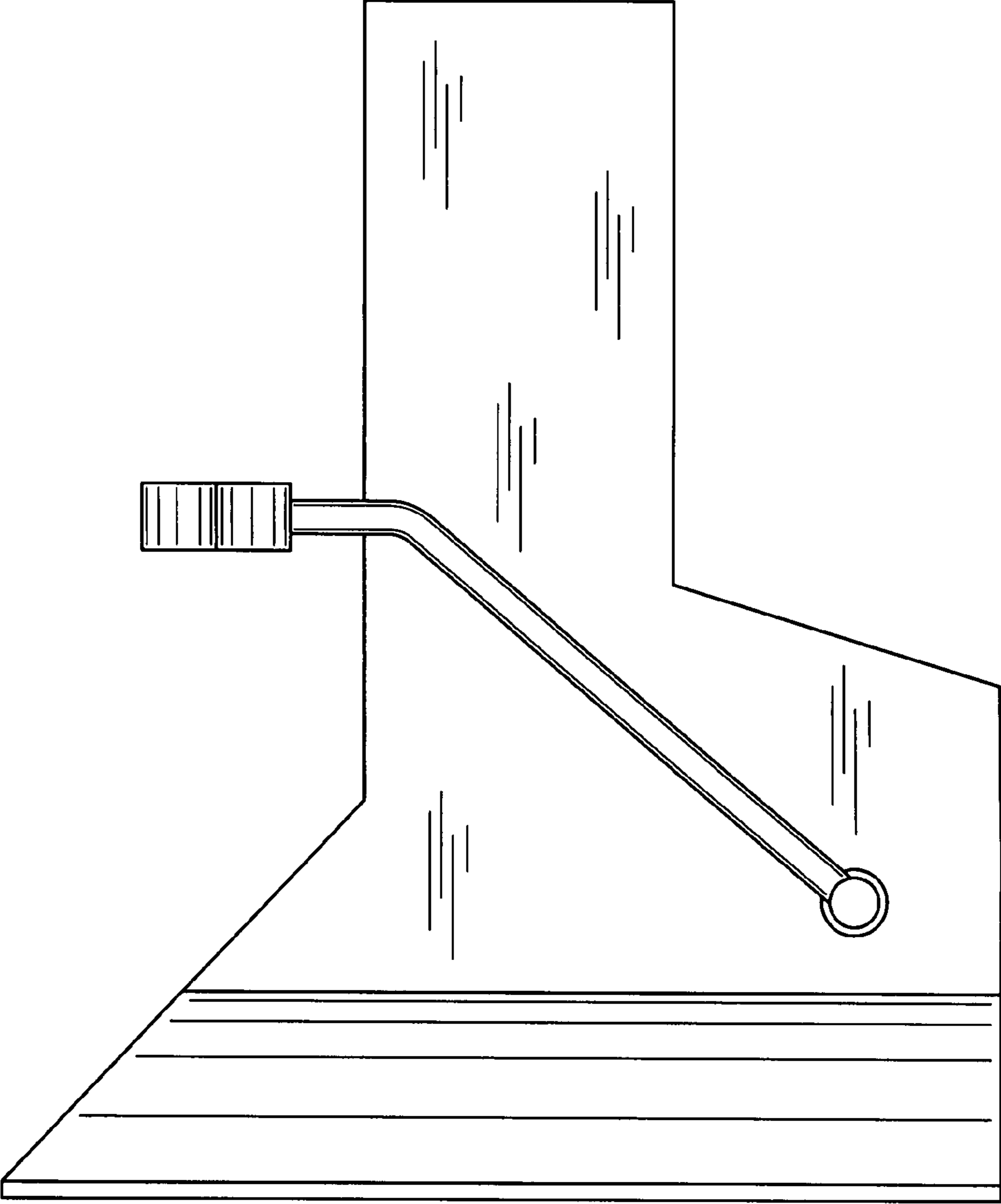


Fig. 2

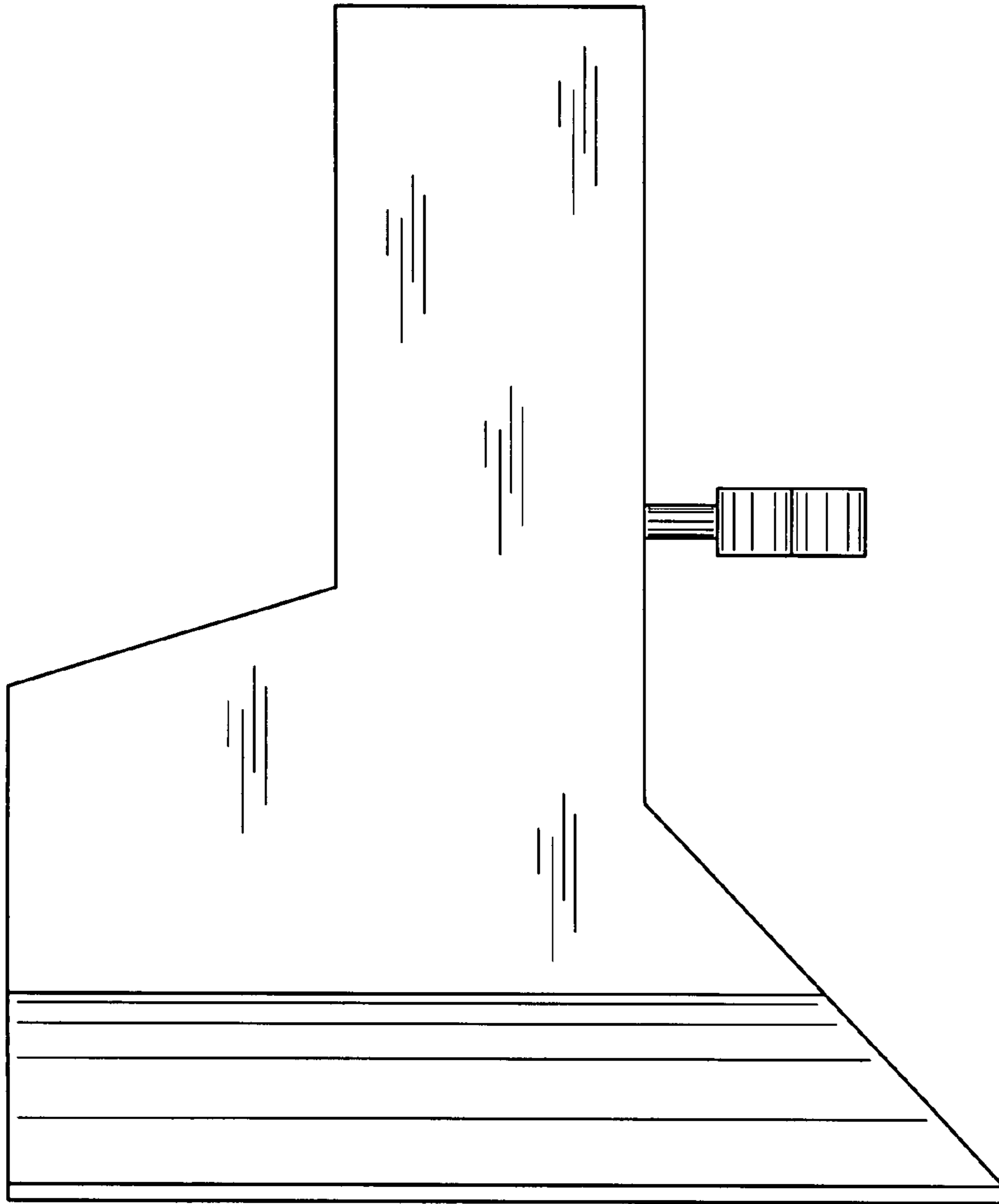


Fig. 3

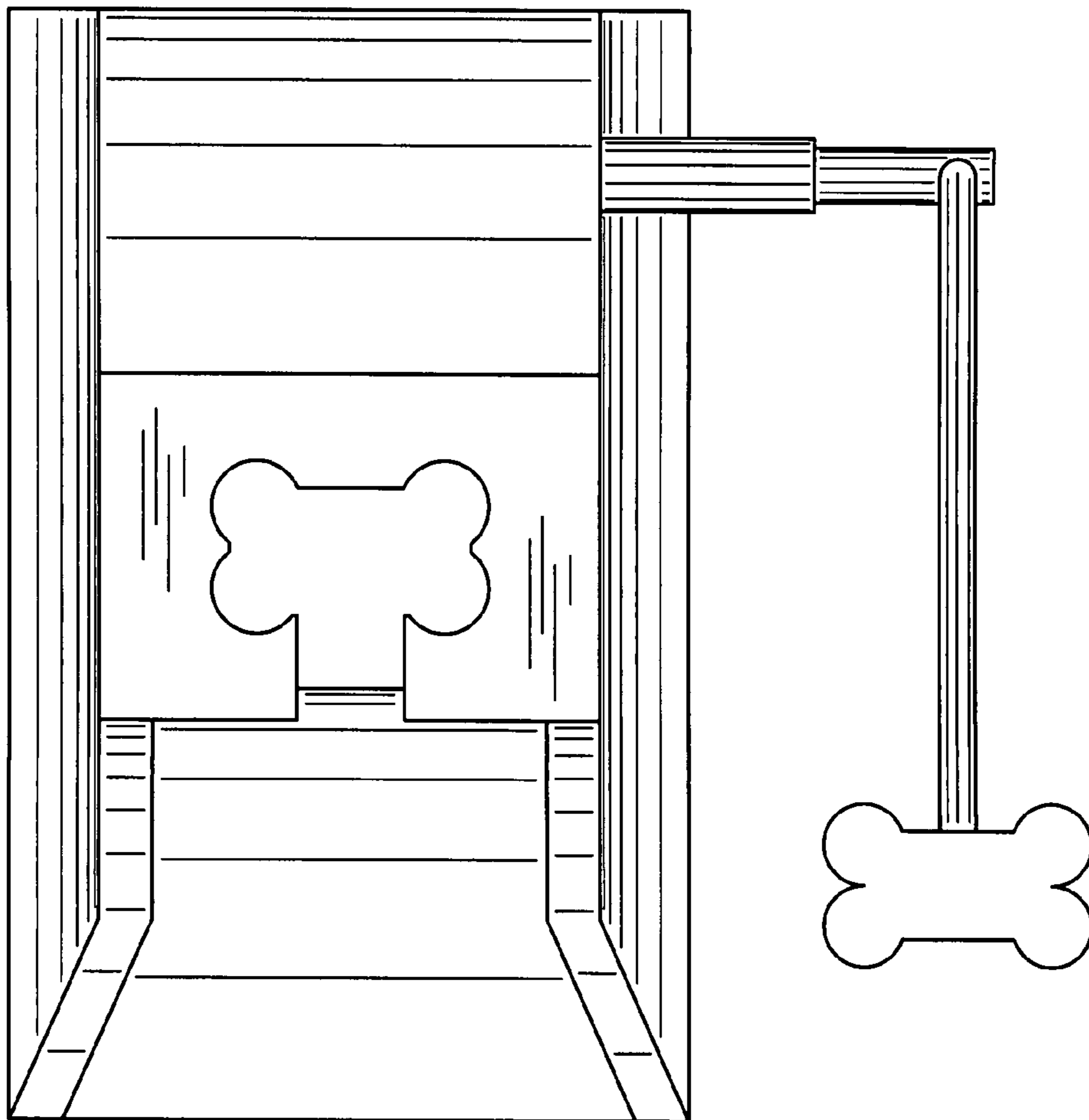


Fig. 4

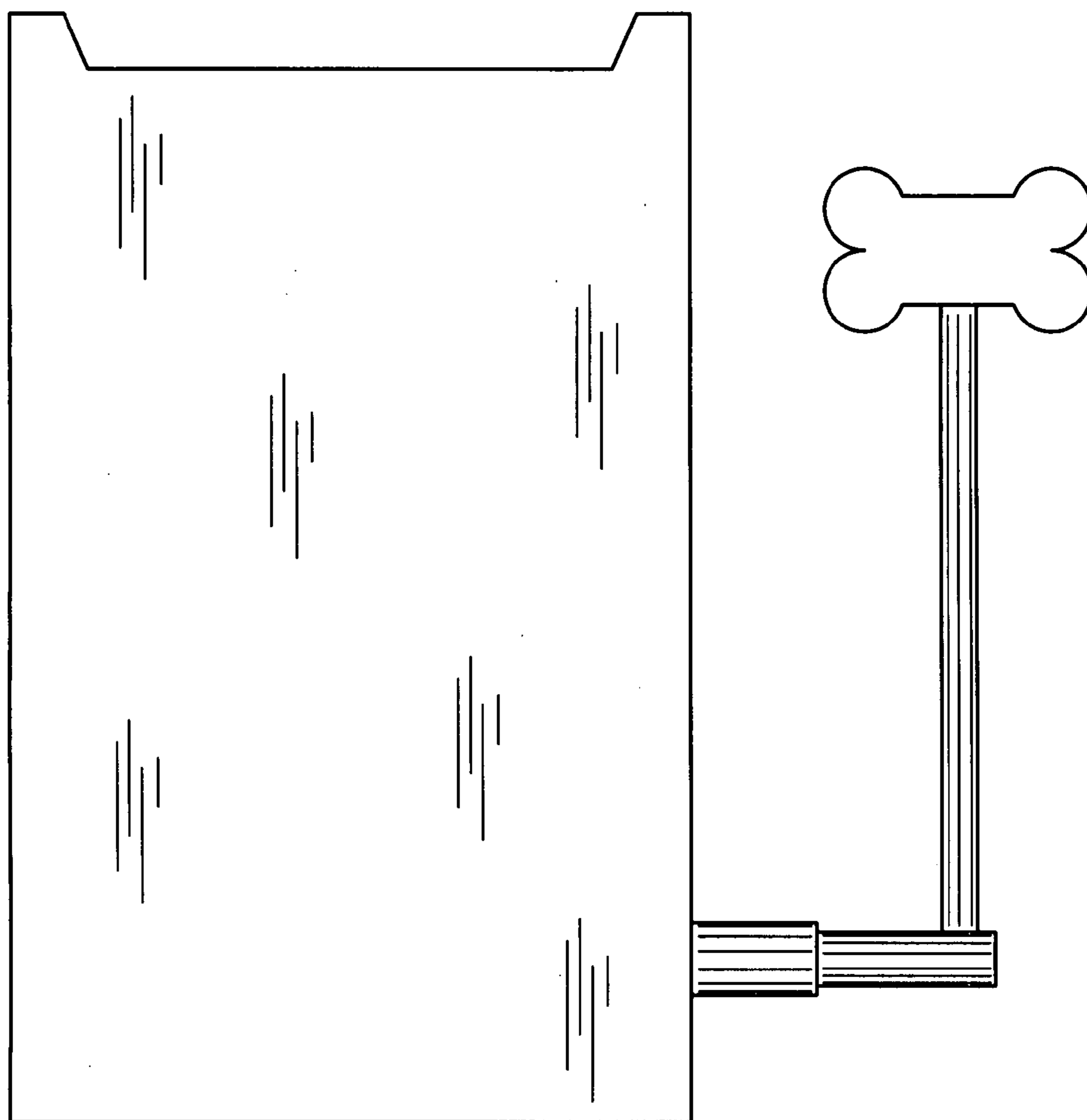


Fig. 5

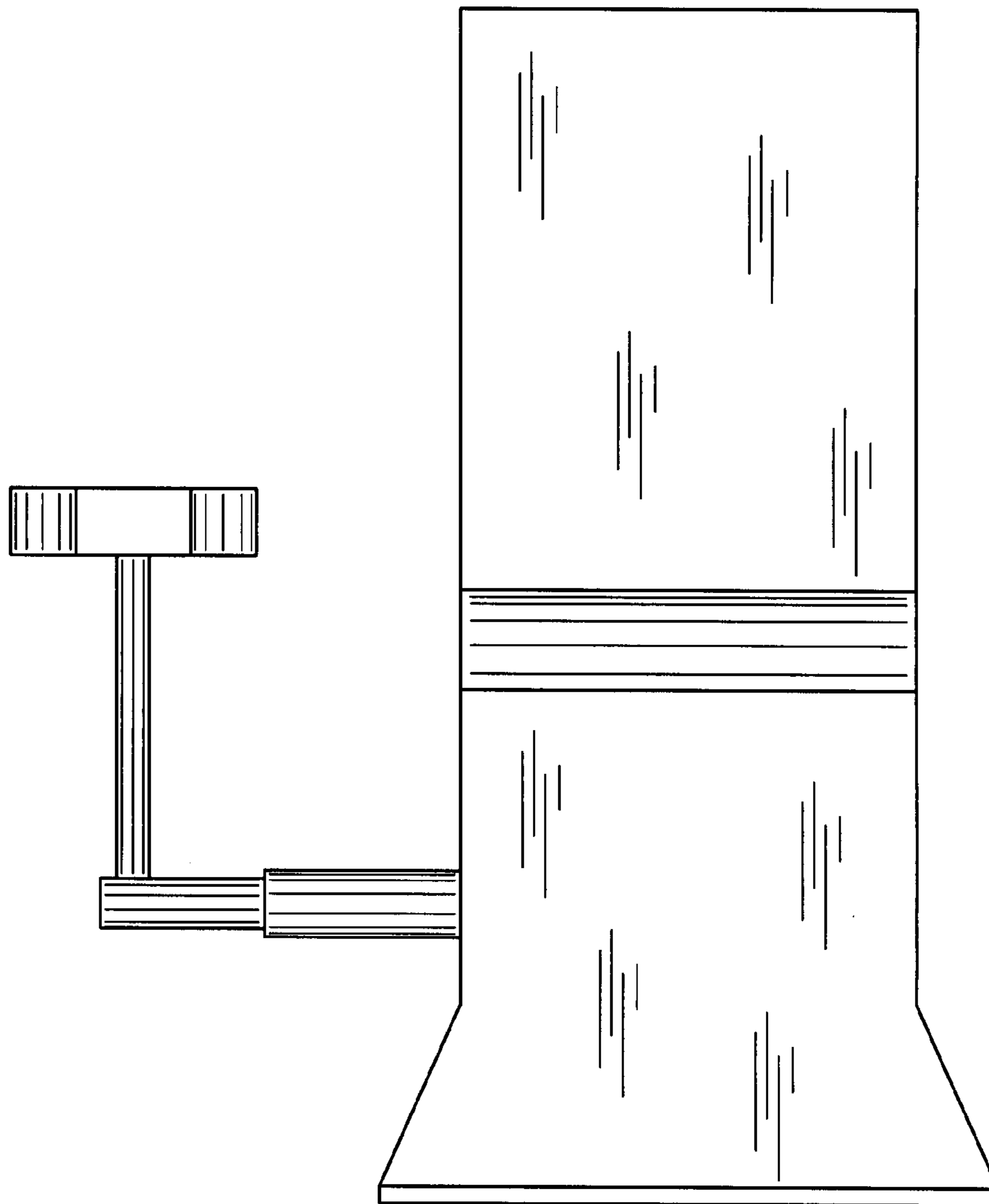


Fig. 6

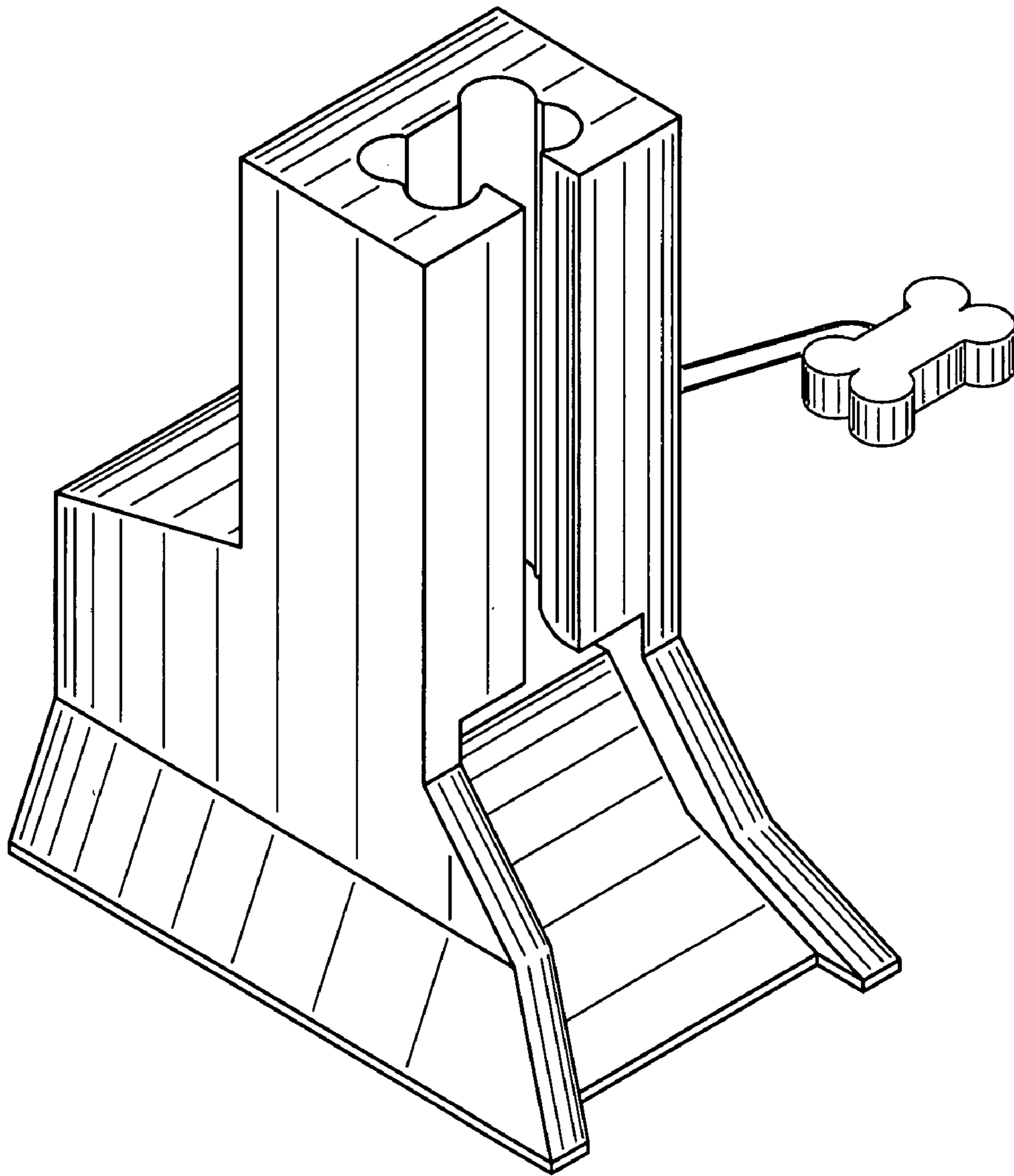


Fig. 7

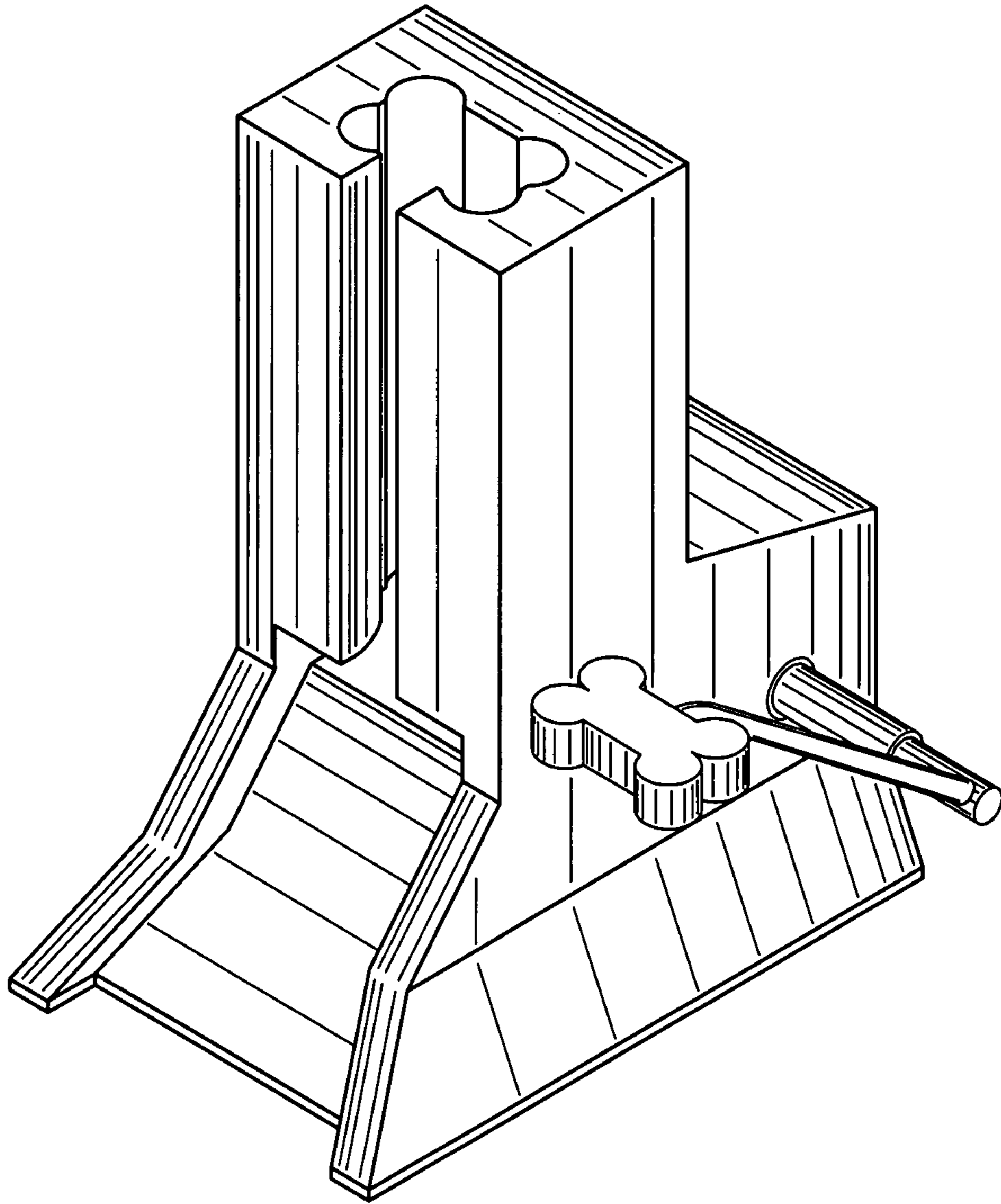


Fig. 8

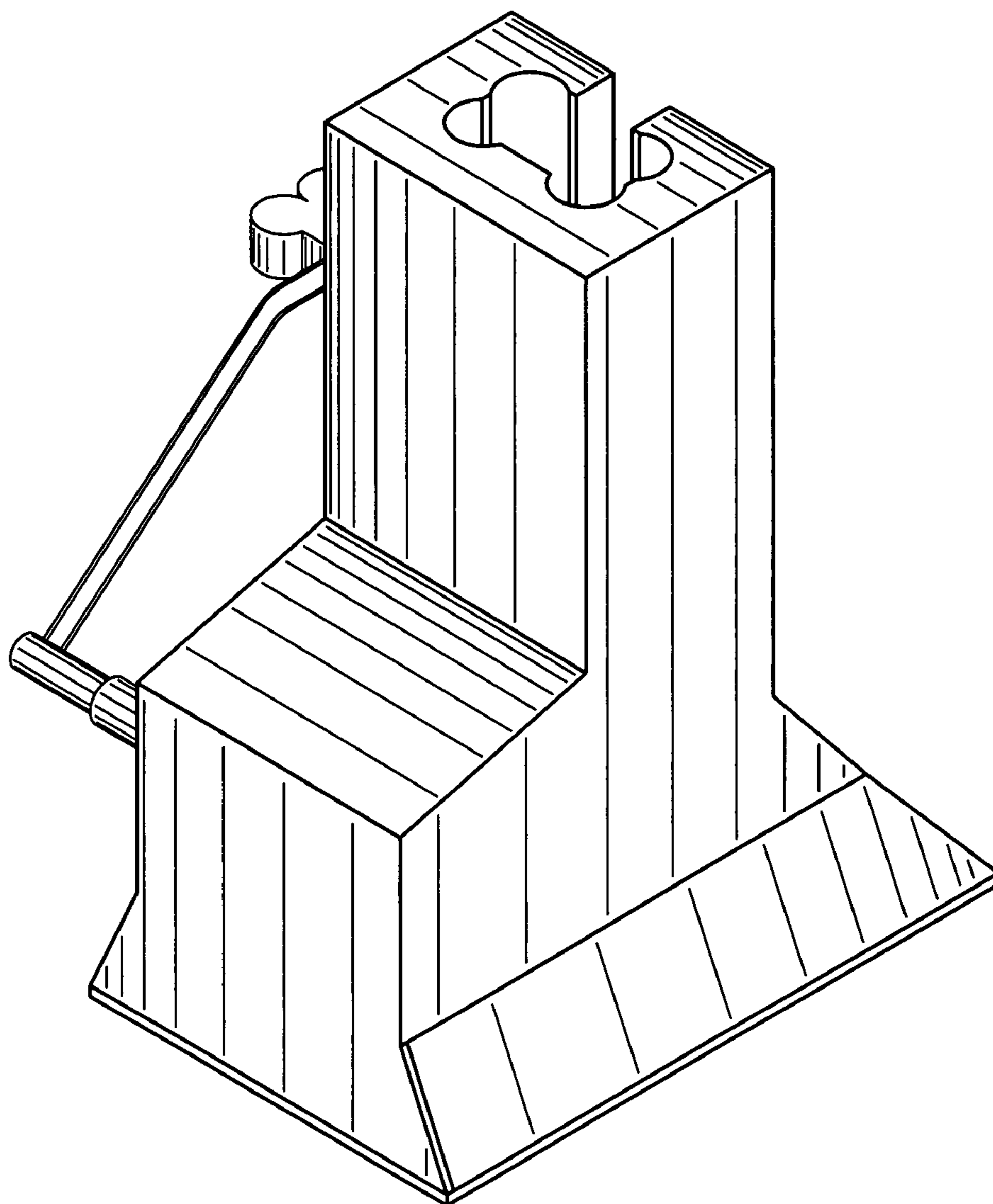


Fig. 9

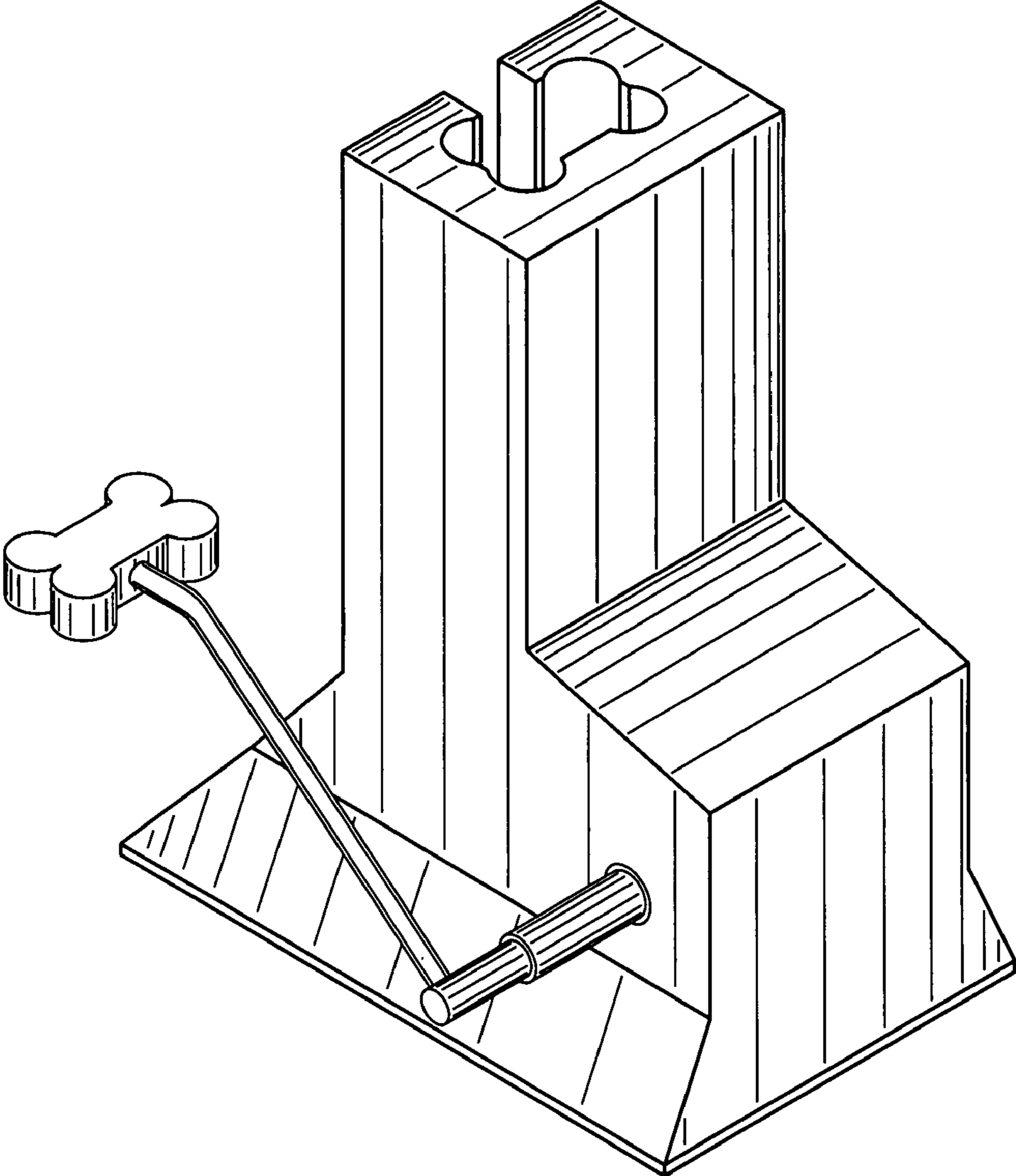


Fig. 10