



US00D560852S

(12) **United States Design Patent**
Garland et al.

(10) **Patent No.:** **US D560,852 S**
(45) **Date of Patent:** **** Jan. 29, 2008**

(54) **TRIMMER**

(75) Inventors: **Tylor Garland**, Studio City, CA (US);
Patrick Burgess, Jalisco (MX); **Aldis Rauda**, West Hollywood, CA (US);
Stan Chudzik, Alpharetta, GA (US)

(73) Assignee: **Goody Products, Inc.**, Freeport, IL (US)

(**) Term: **14 Years**

(21) Appl. No.: **29/275,612**

(22) Filed: **Dec. 30, 2006**

(51) **LOC (8) Cl.** **28-03**

(52) **U.S. Cl.** **D28/53**

(58) **Field of Classification Search** 30/201,
30/34, 34.5, 34.1, 34.2, 41-41.6, 43-43.92,
30/44-45, 526-533; D28/44, 44.1, 49-54
See application file for complete search history.

(56) **References Cited**

U.S. PATENT DOCUMENTS

- D322,334 S * 12/1991 Brun D28/44.1
- D341,907 S * 11/1993 Ullmann D28/49
- D351,926 S * 10/1994 Nakashima et al. D28/49
- D517,730 S * 3/2006 Bauwens D28/53
- D528,700 S * 9/2006 Oh D28/49

* cited by examiner

Primary Examiner—Jennifer Rivard

(74) *Attorney, Agent, or Firm*—Marshall, Gerstein & Borun LLP

(57) **CLAIM**

The ornamental design for a “trimmer,” as shown and described.

DESCRIPTION

FIG. 1 is a perspective view from the top and left of a first embodiment of a trimmer having our new design with the protective cap attached at the end of the trimmer;

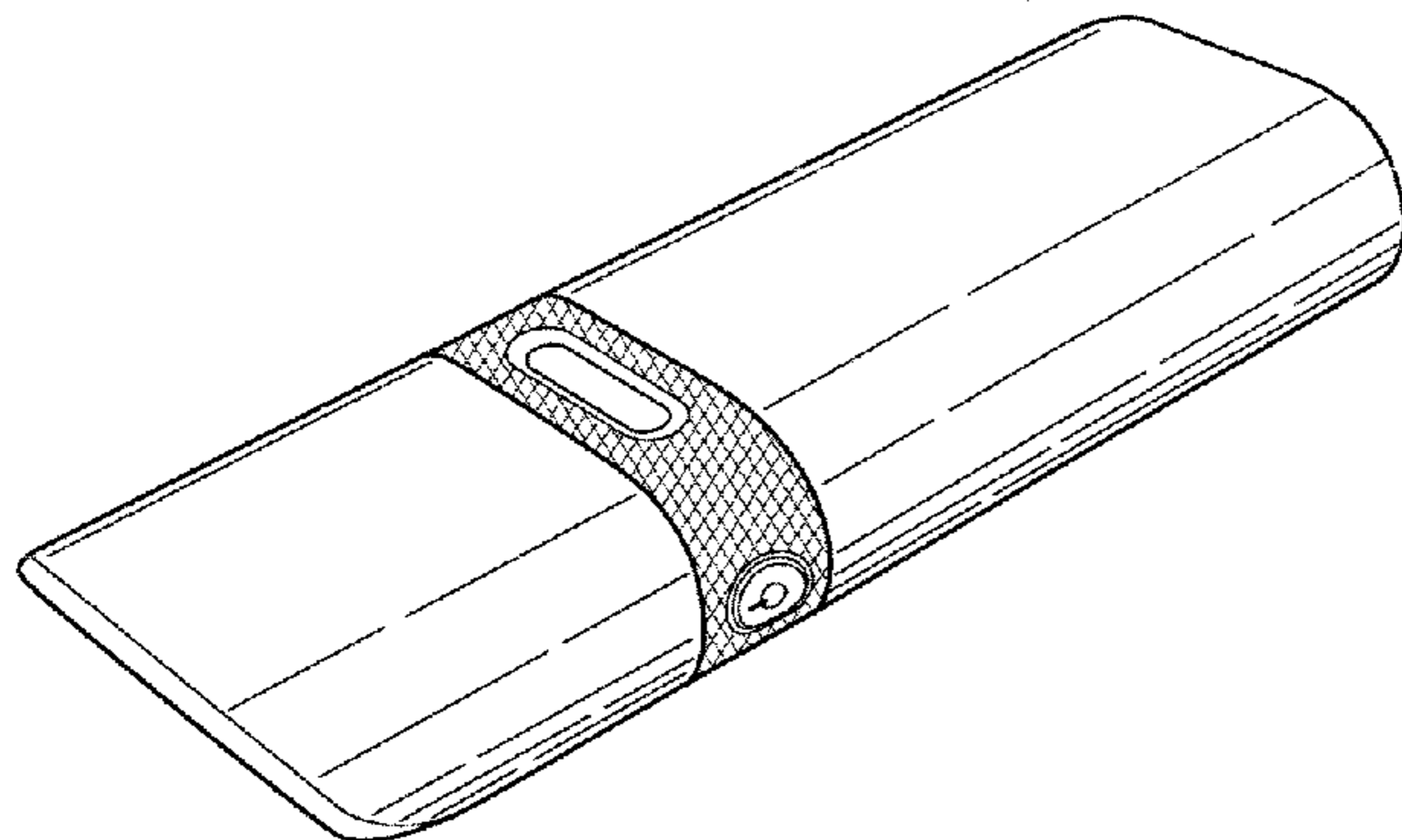


FIG. 2 is a right side elevational view thereof;

FIG. 3 is a left side elevational view thereof;

FIG. 4 is a rear view thereof;

FIG. 5 is a front view thereof;

FIG. 6 is a top view thereof;

FIG. 7 is a bottom view thereof;

FIG. 8 is a perspective view from the front and right of the trimmer of FIG. 1 with the protective cap removed;

FIG. 9 is a right side elevational view thereof;

FIG. 10 is a left side elevational view thereof;

FIG. 11 is a front view thereof;

FIG. 12 is a rear view thereof;

FIG. 13 is a top view thereof;

FIG. 14 is a bottom view thereof;

FIG. 15 is a right side elevational view thereof with trimmer head in rotated position;

FIG. 16 is a perspective view from the front and right of the trimmer of FIG. 1 with the arm extended;

FIG. 17 is a right side elevational view thereof;

FIG. 18 is a left side elevational view thereof;

FIG. 19 is a front view thereof;

FIG. 20 is a rear view thereof;

FIG. 21 is a top view thereof;

FIG. 22 is a bottom view thereof

FIG. 23 is a perspective view from the top and left of a second embodiment of a trimmer having our new design with the protective cap attached at the end of the trimmer;

FIG. 24 is a right side elevational view thereof;

FIG. 25 is a left side elevational view thereof;

FIG. 26 is a rear view thereof;

FIG. 27 is a front view thereof;

FIG. 28 is a top view thereof;

FIG. 29 is a bottom view thereof;

FIG. 30 is a perspective view from the front and right of the trimmer of FIG. 23 with the protective cap removed;

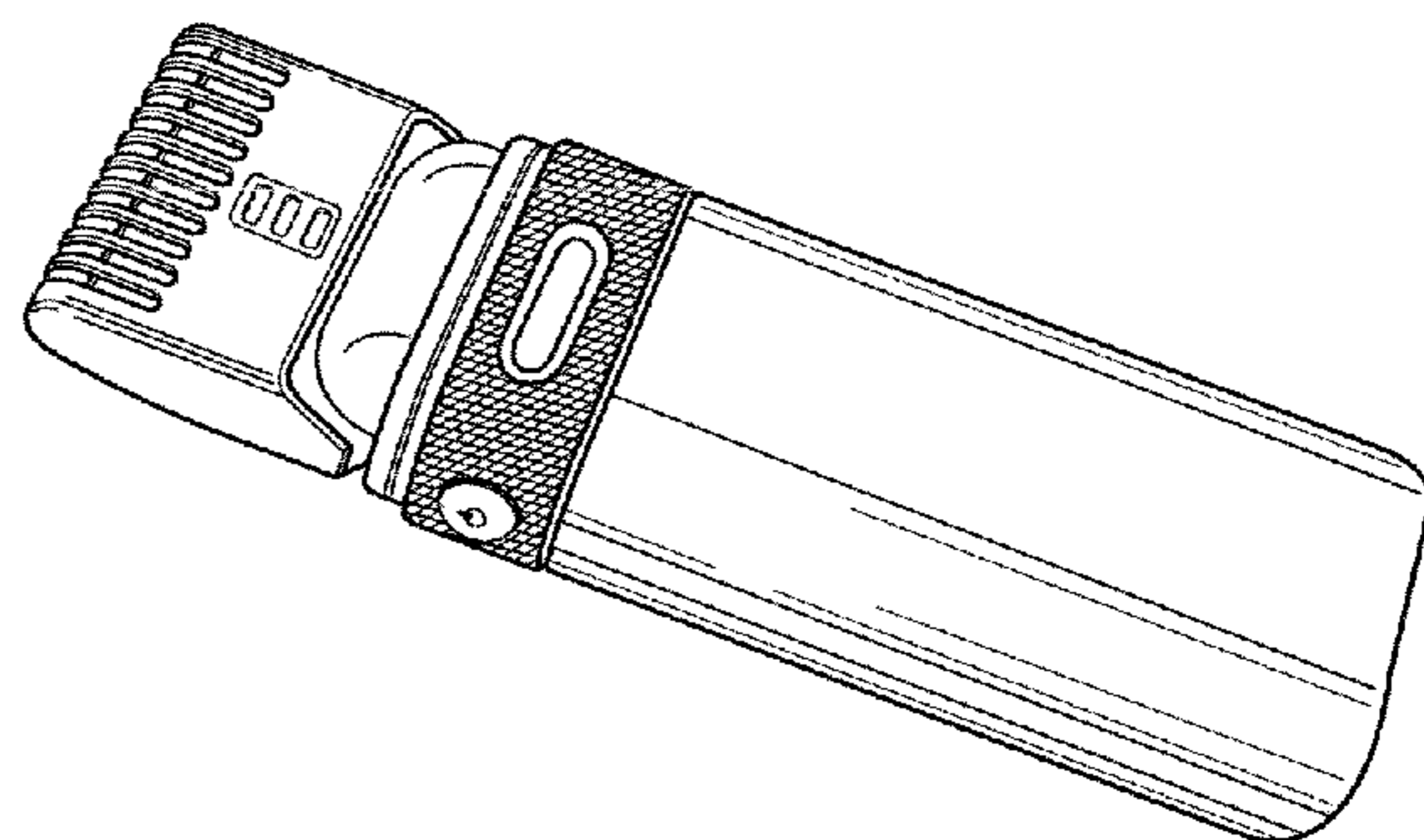


FIG. **31** is a right side elevational view thereof;
FIG. **32** is a left side elevational view thereof;
FIG. **33** is a front view thereof;
FIG. **34** is a rear view thereof;
FIG. **35** is a top view thereof;
FIG. **36** is a bottom view thereof;
FIG. **37** is a right side elevational view thereof with trimmer head in rotated position;
FIG. **38** is a perspective view from the front and right of the trimmer of FIG. **23** with the arm extended;

FIG. **39** is a right side elevational view thereof;
FIG. **40** is a left side elevational view thereof;
FIG. **41** is a front view thereof;
FIG. **42** is a rear view thereof;
FIG. **43** is a top view thereof; and,
FIG. **44** is a bottom view thereof.
In FIGS. **8-22** and **30-44**, the caps have been removed from the trimmers for convenience of illustration.

1 Claim, 12 Drawing Sheets

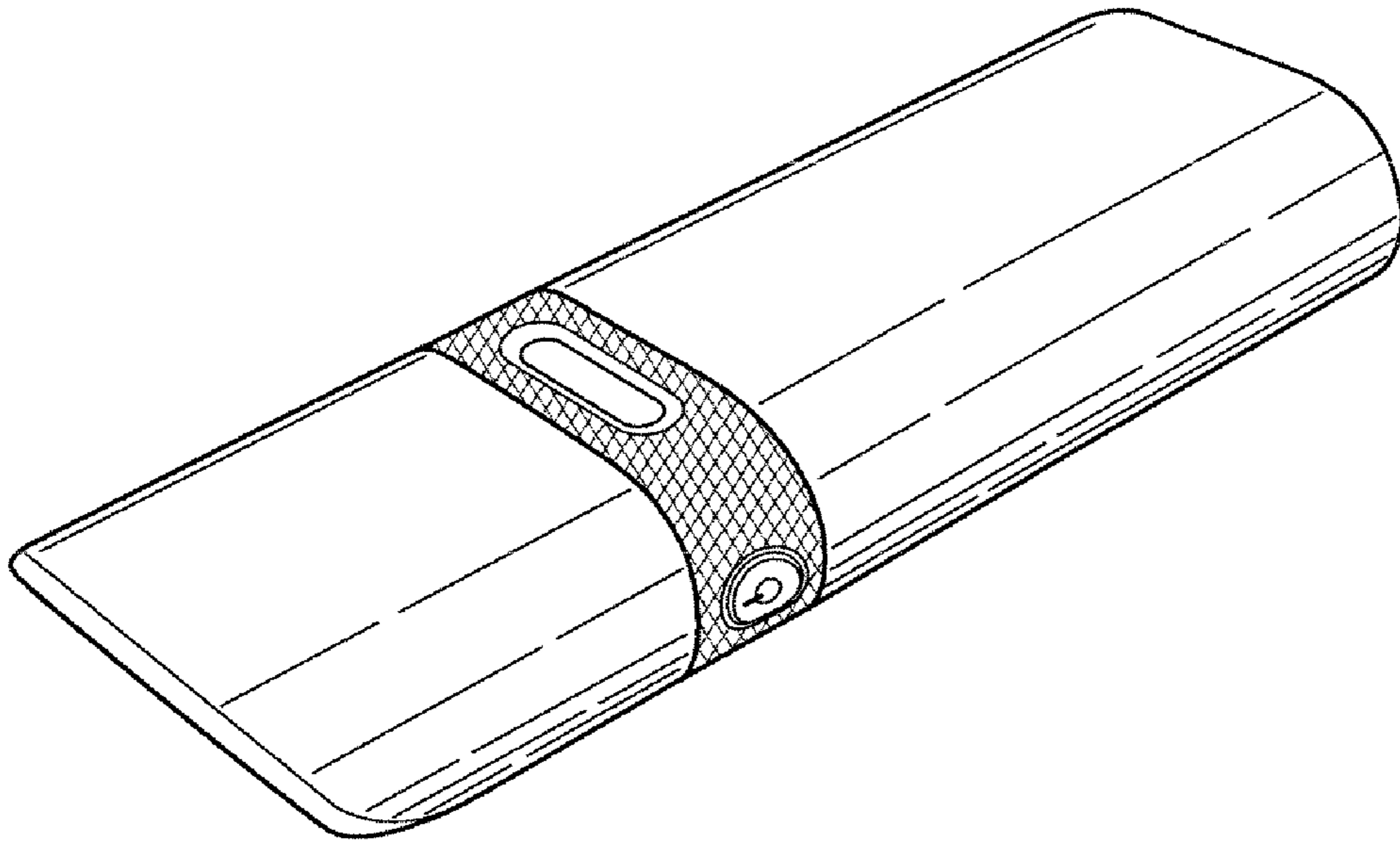


FIG. 1

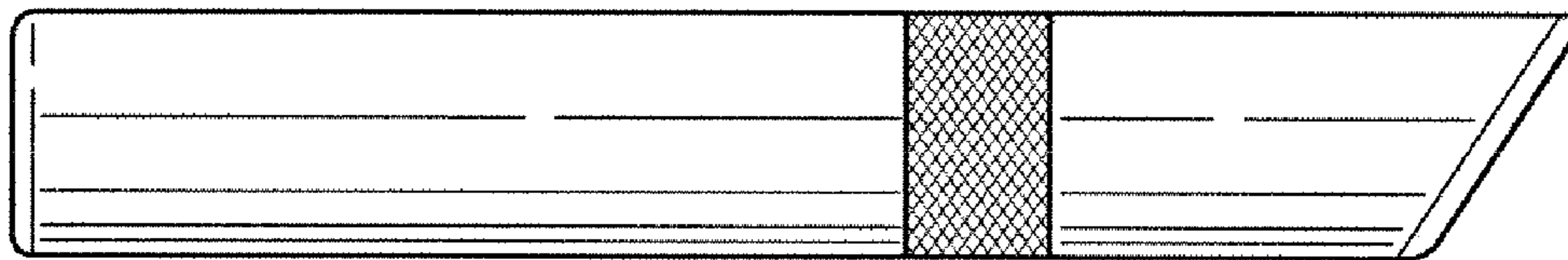


FIG. 2

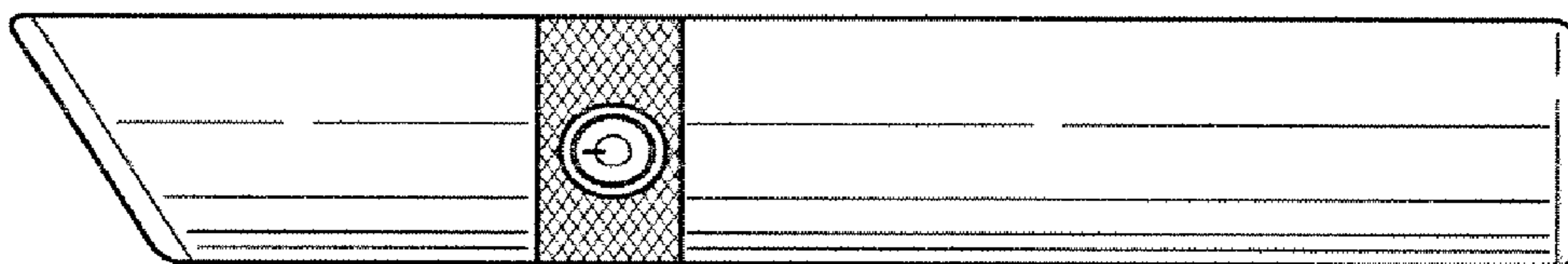


FIG. 3

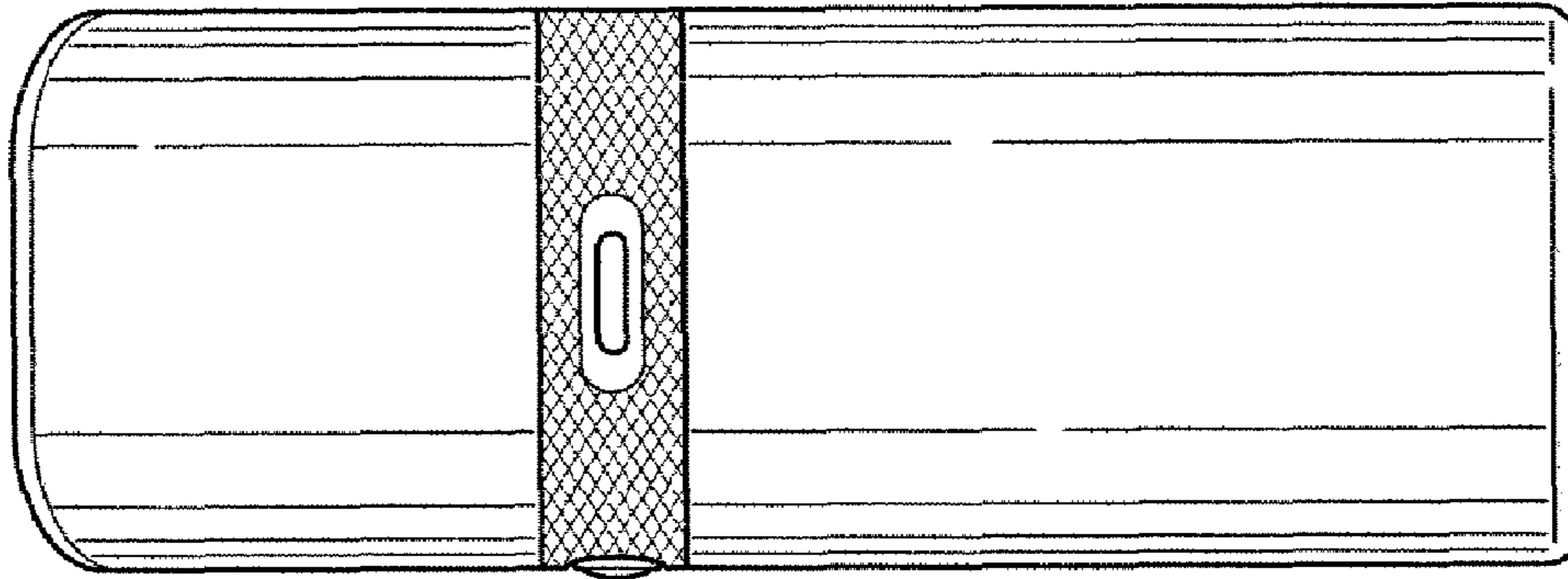


FIG. 4

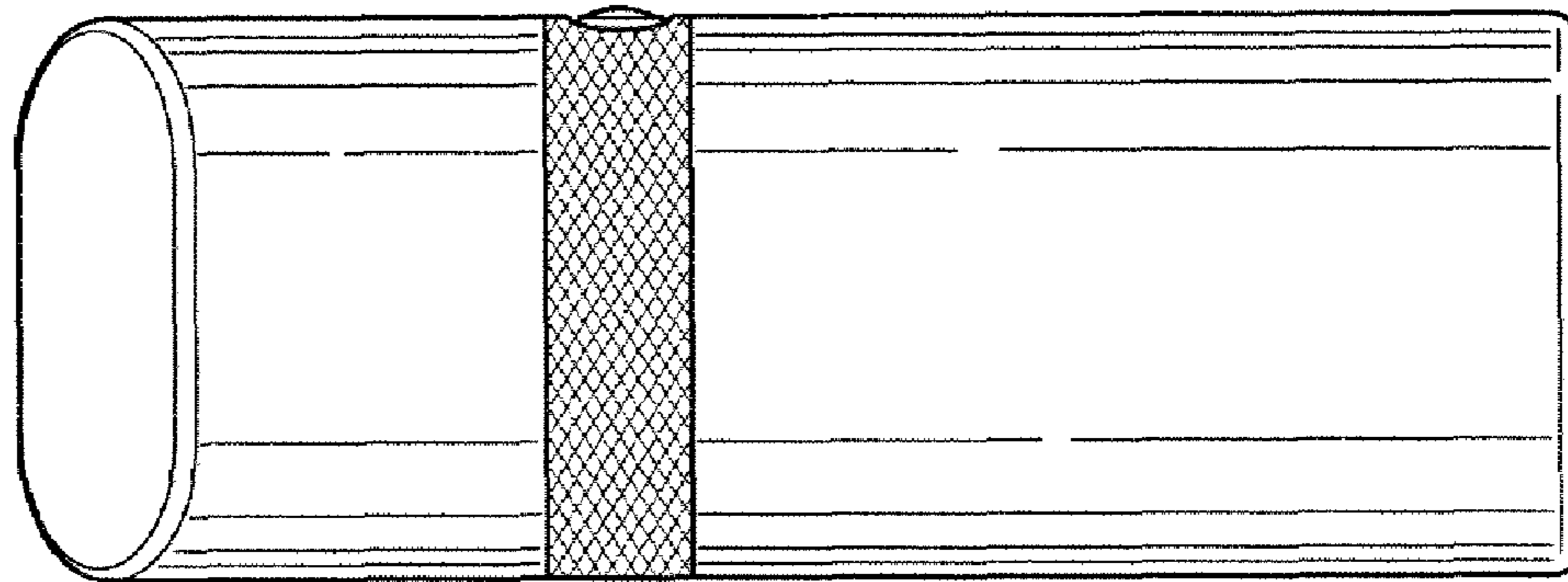


FIG. 5

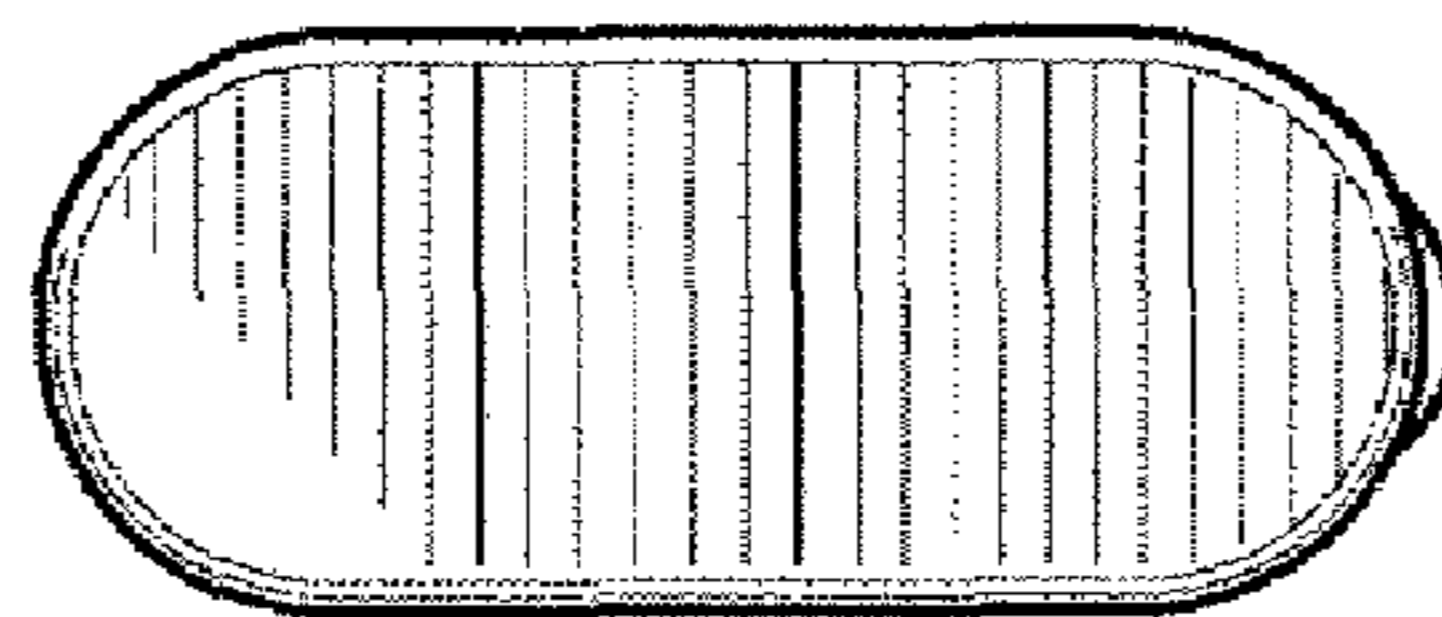


FIG. 6

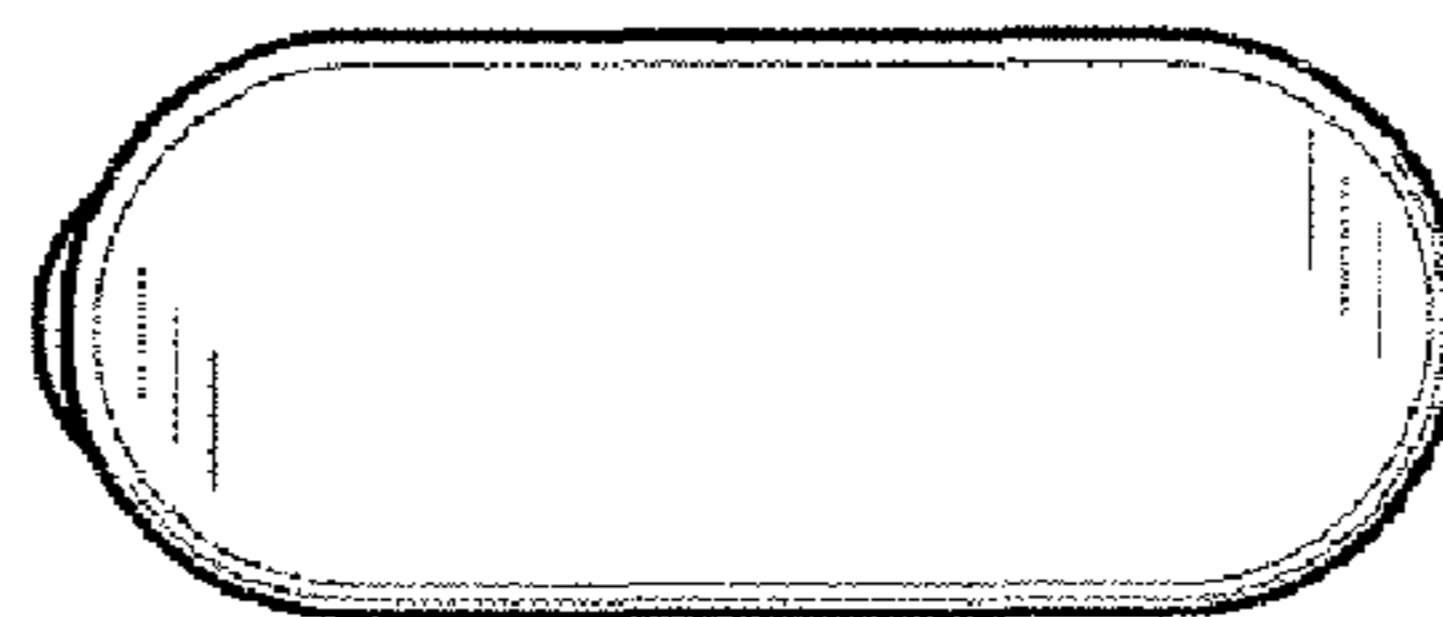


FIG. 7

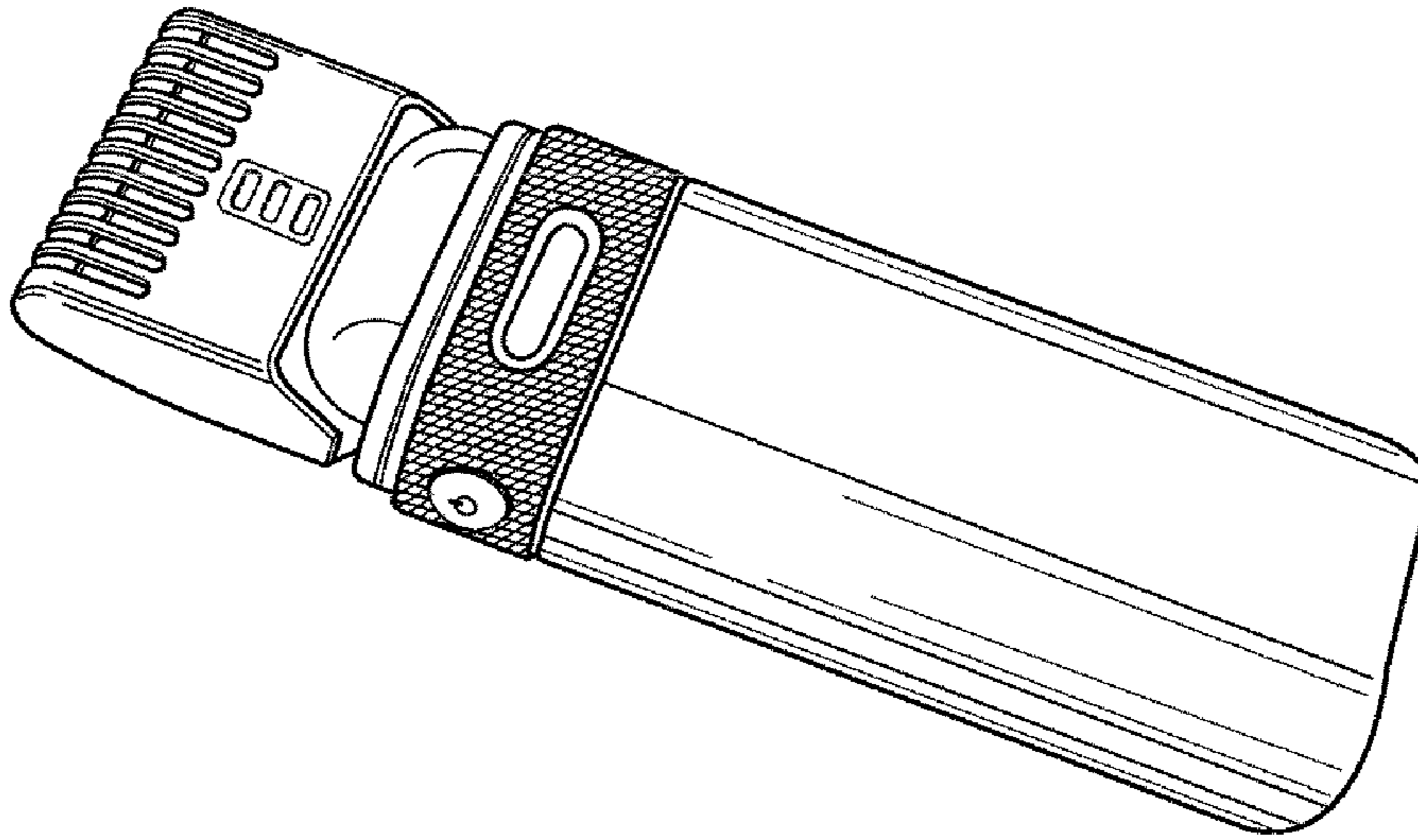


FIG. 8

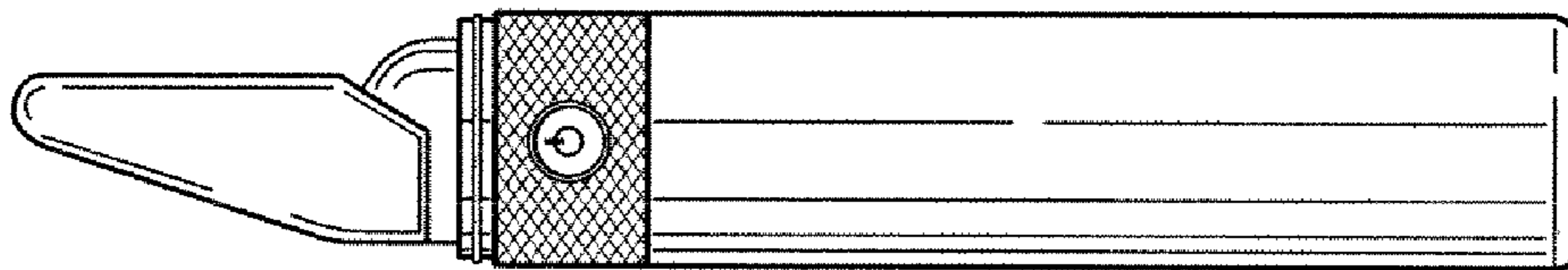


FIG. 9

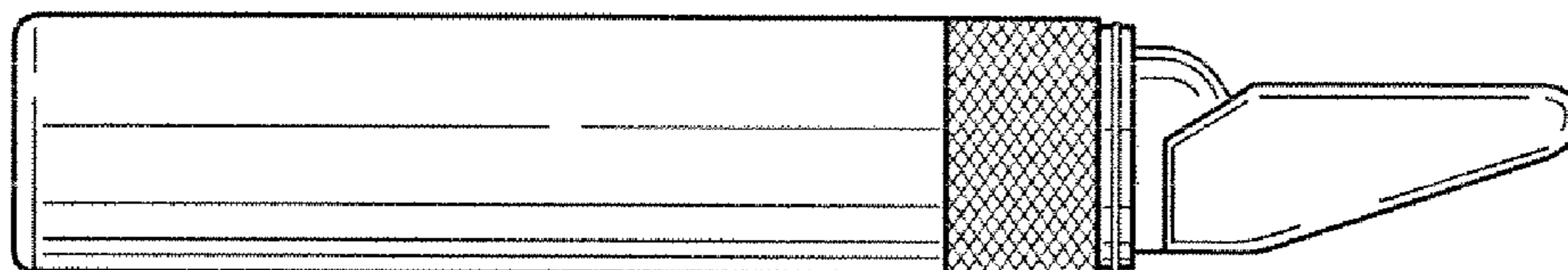


FIG. 10

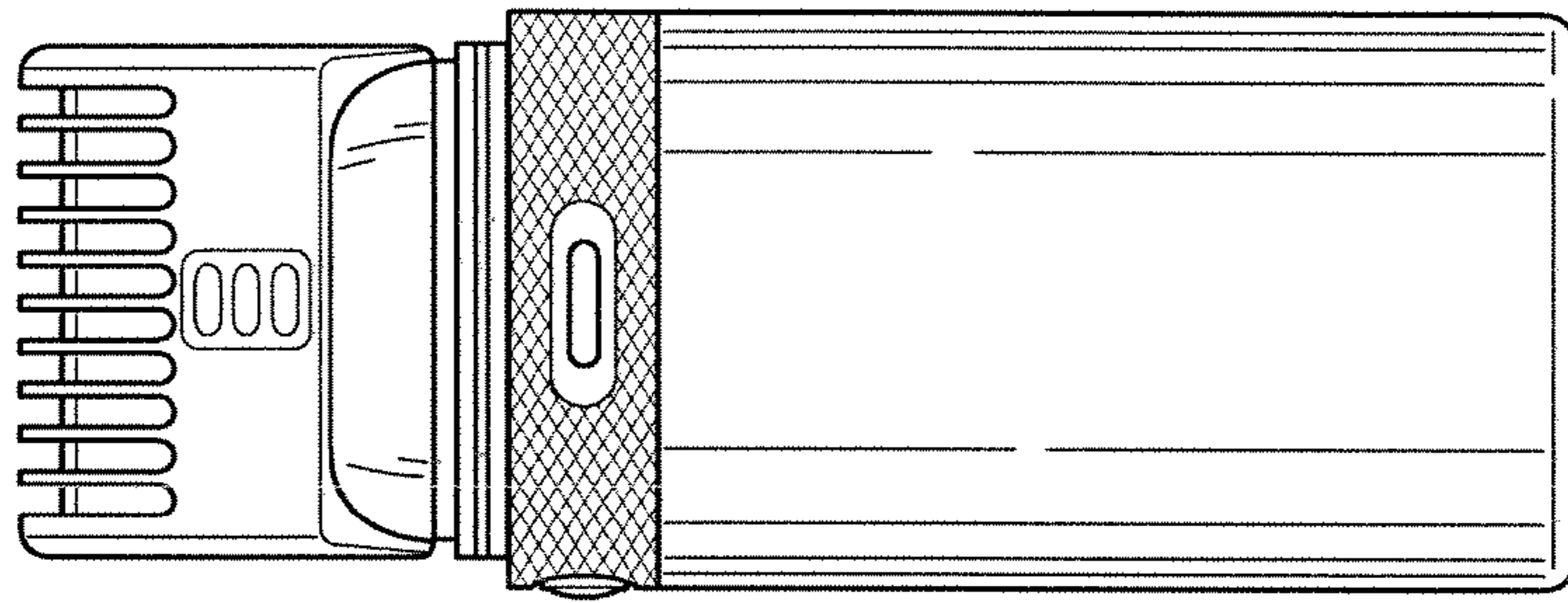


FIG. 11

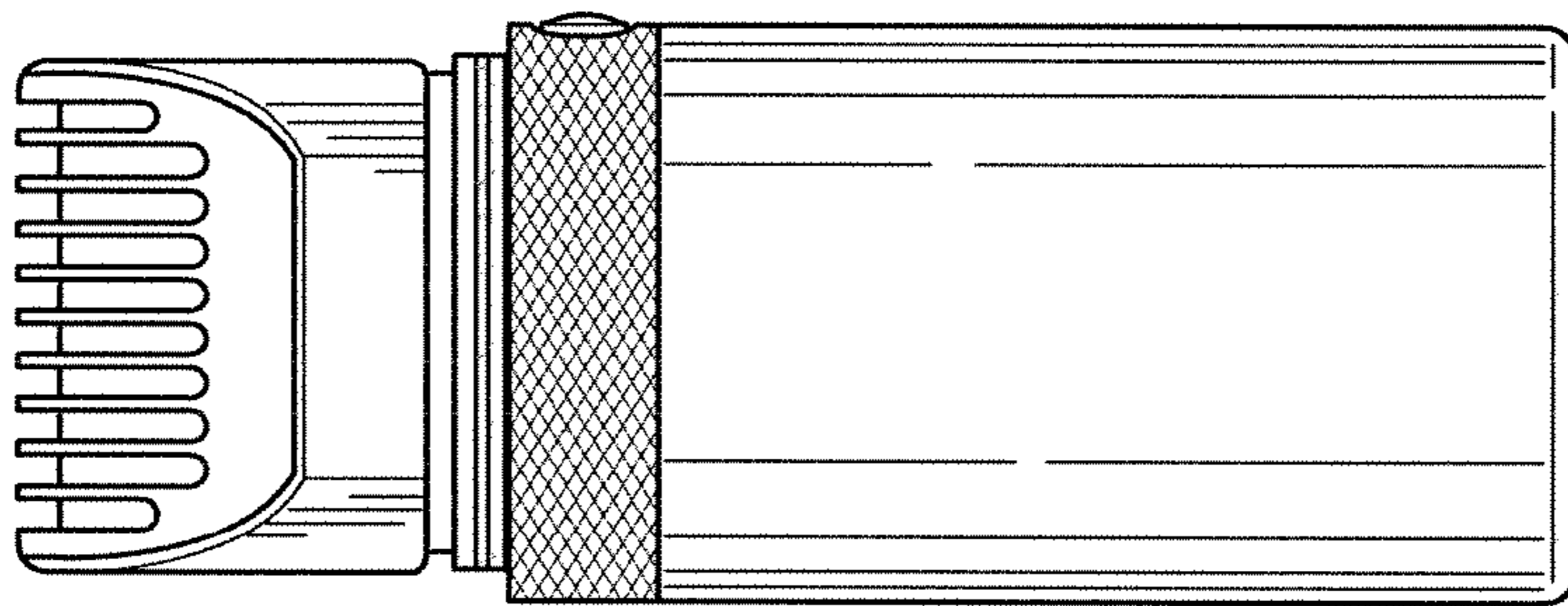


FIG. 12

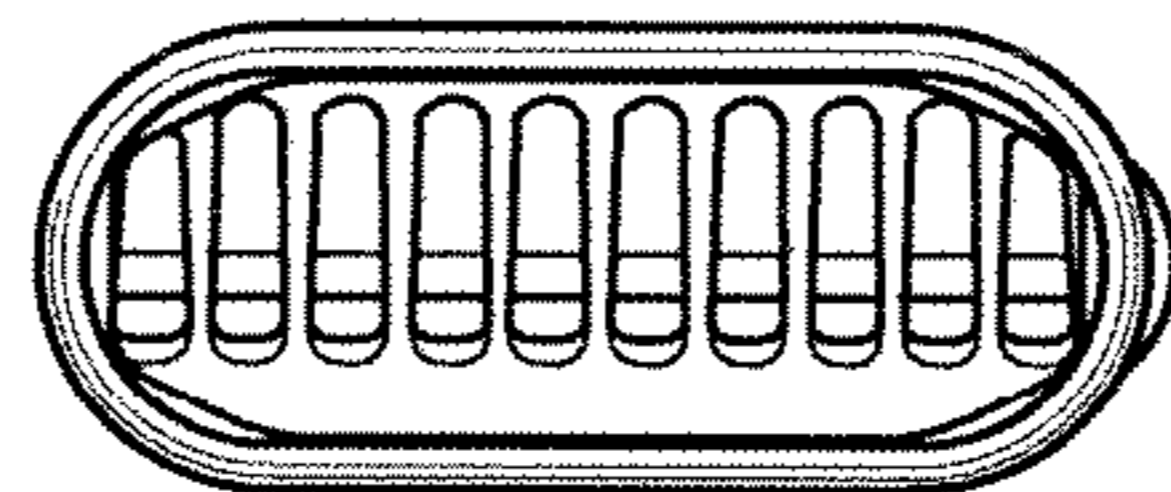


FIG. 13

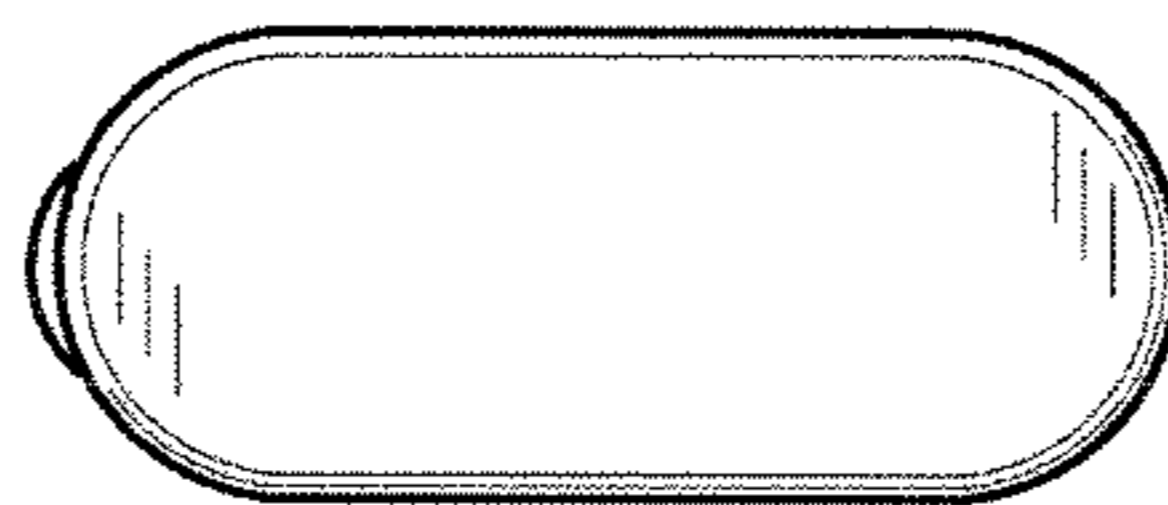


FIG. 14

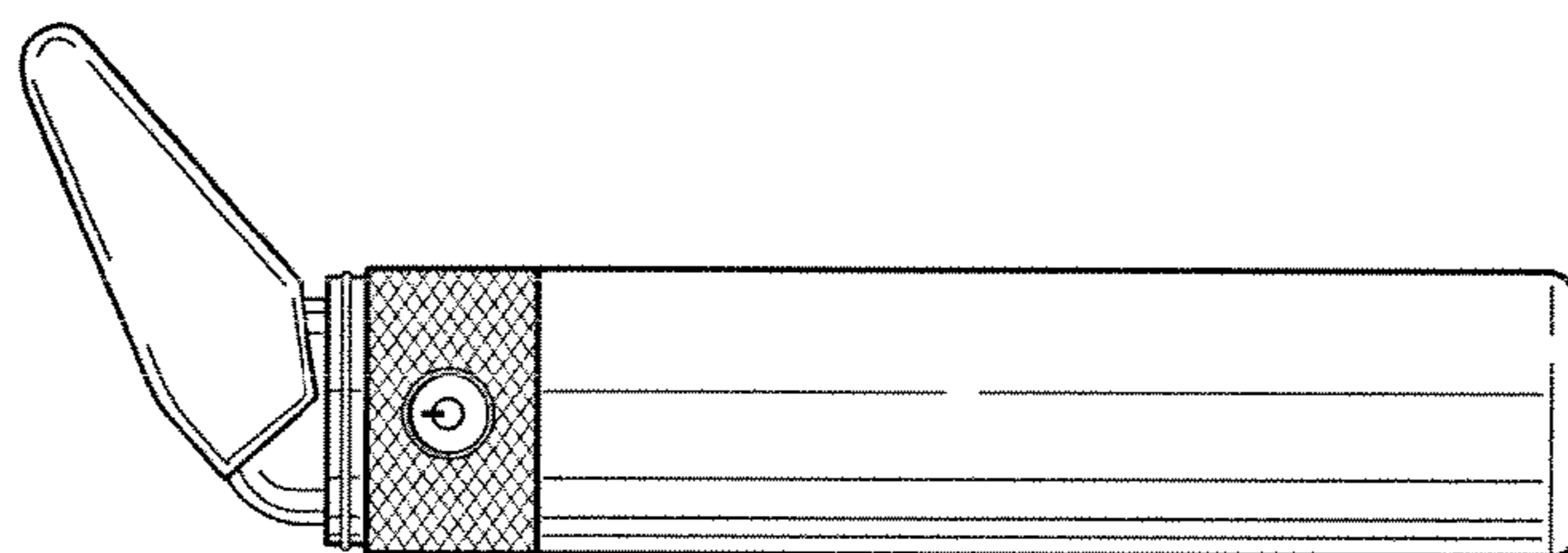


FIG. 15

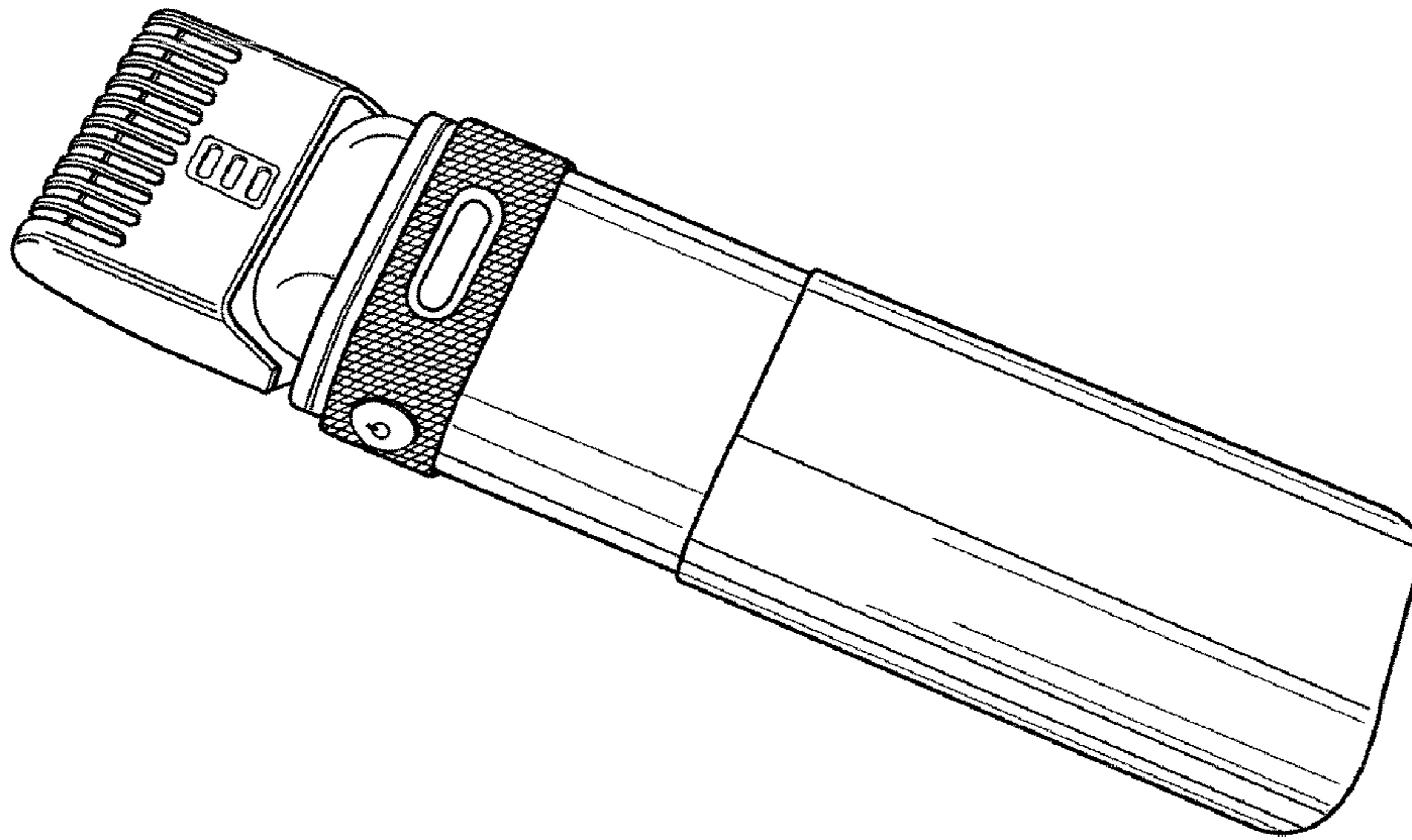


FIG. 16

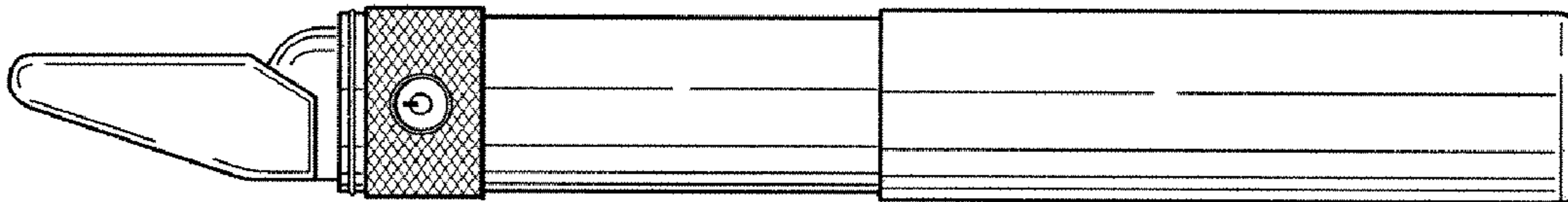


FIG. 17

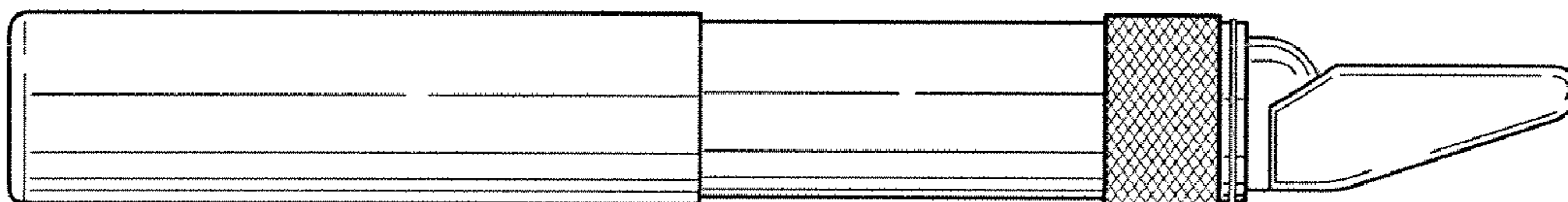


FIG. 18

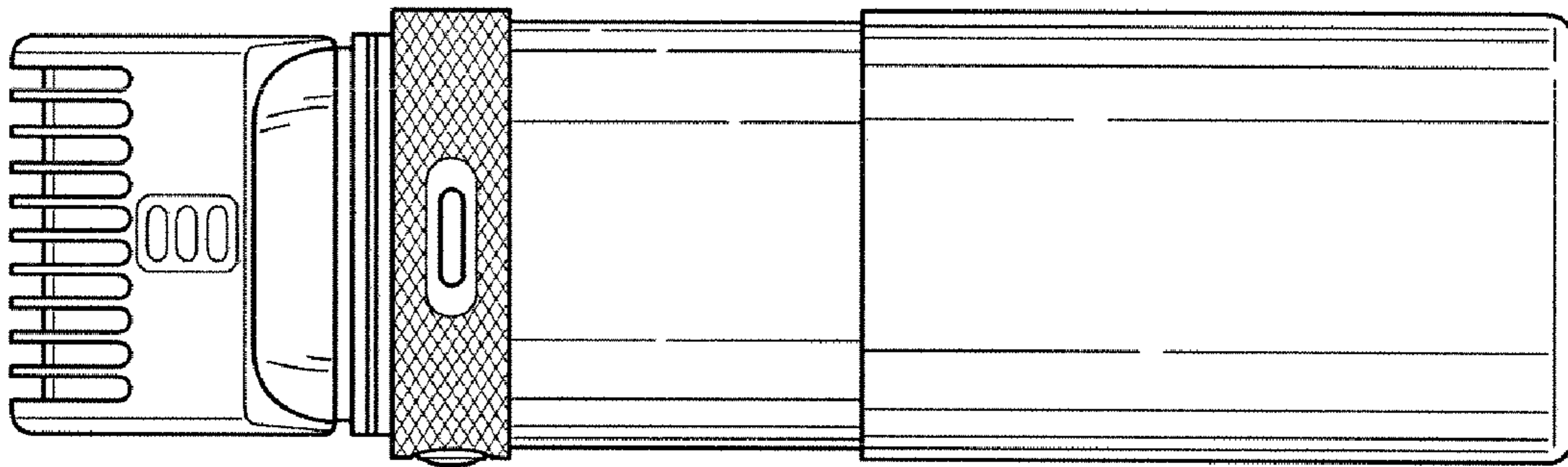


FIG. 19

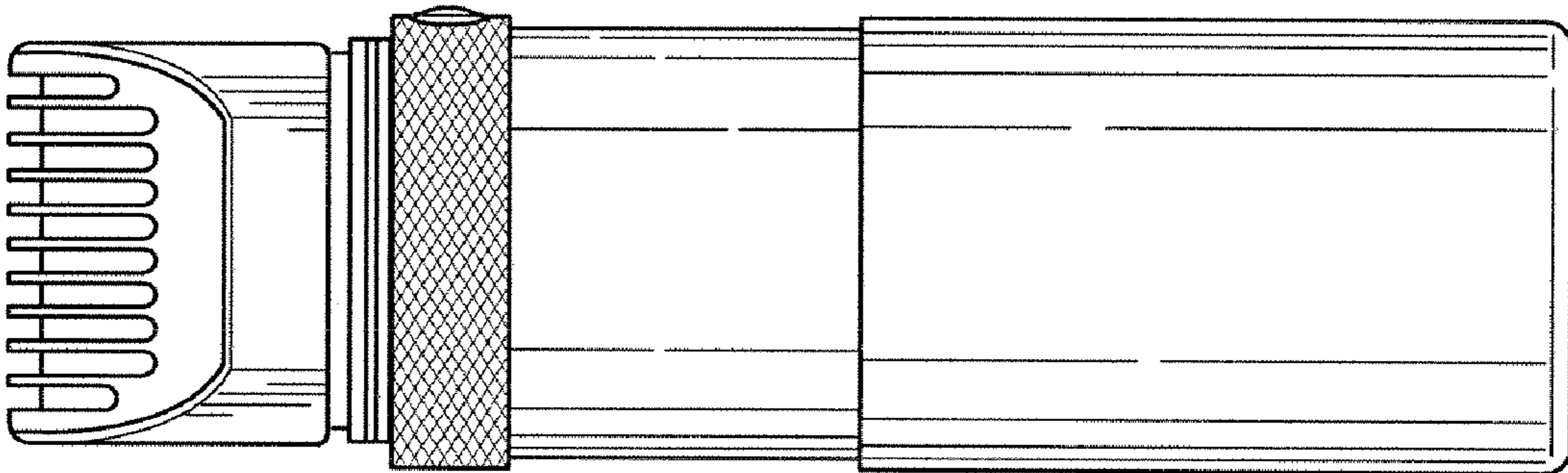


FIG. 20

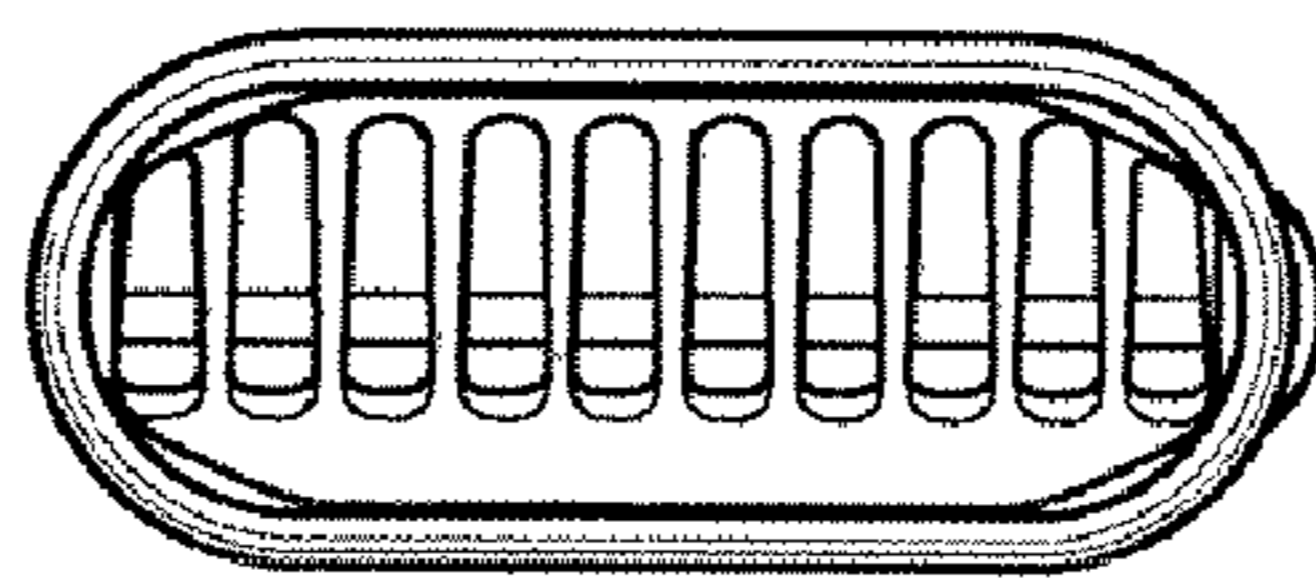


FIG. 21

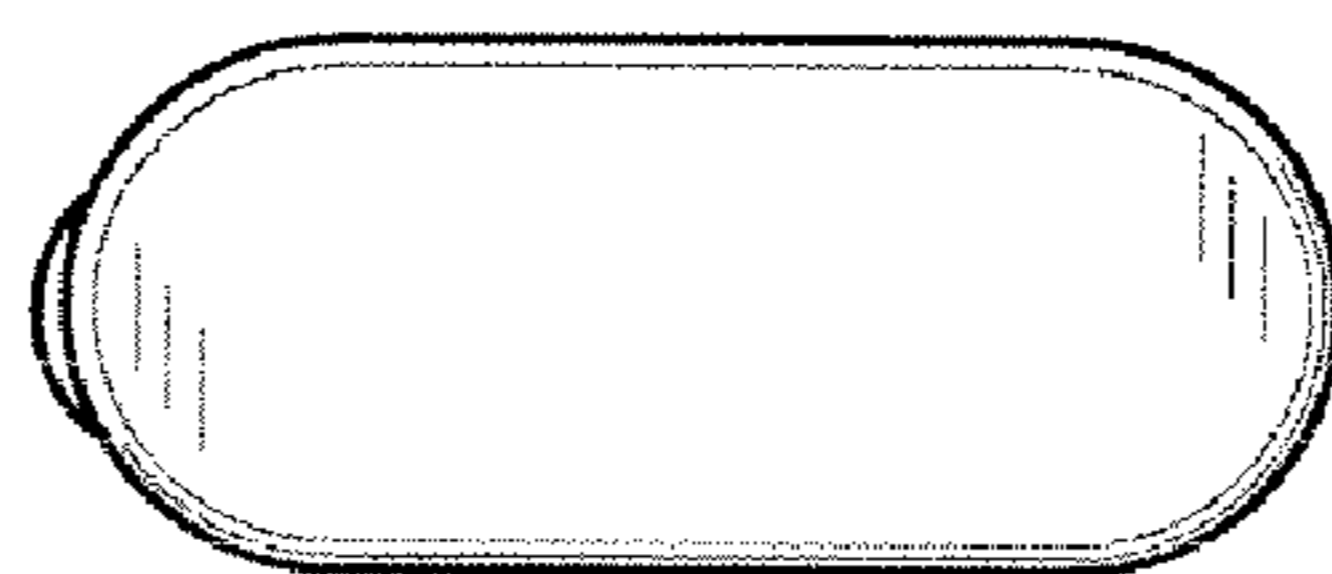


FIG. 22

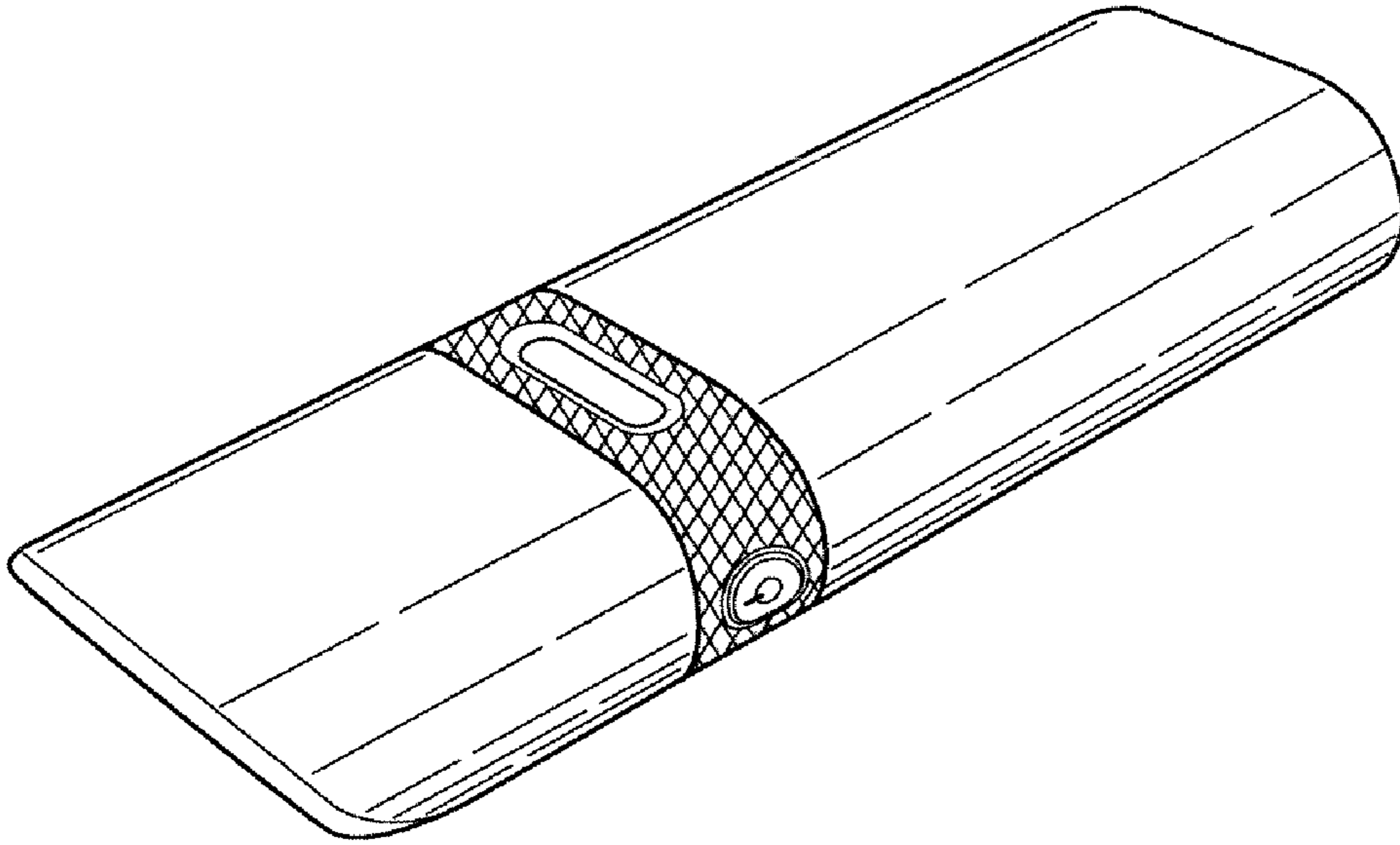


FIG. 23

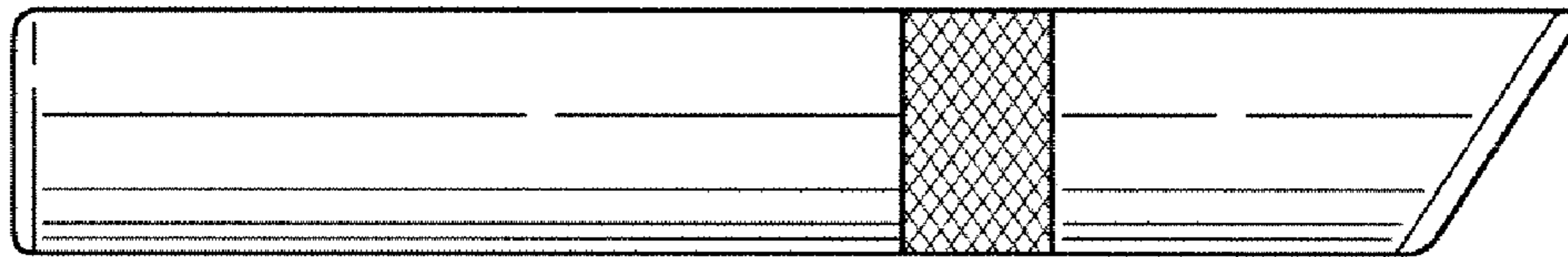


FIG. 24

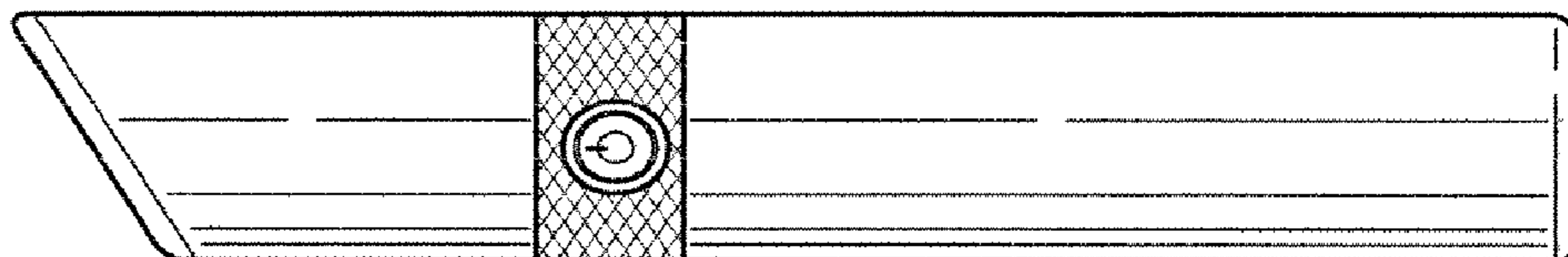


FIG. 25

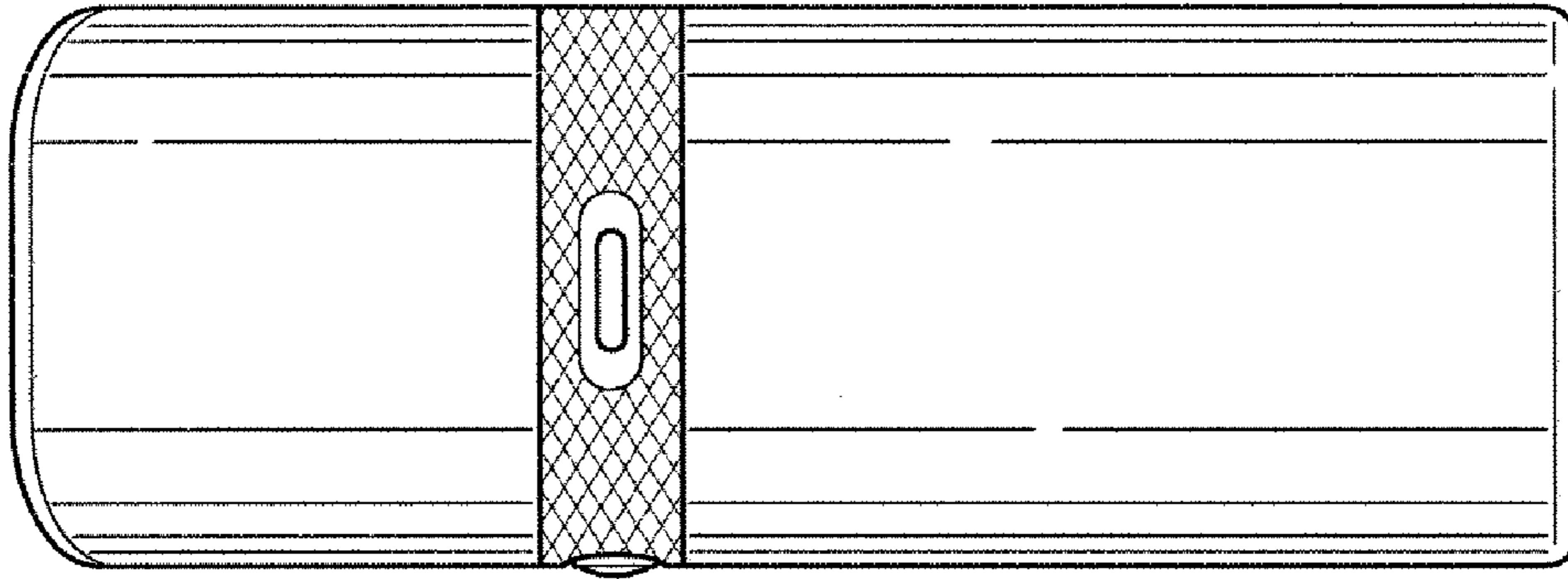


FIG. 26

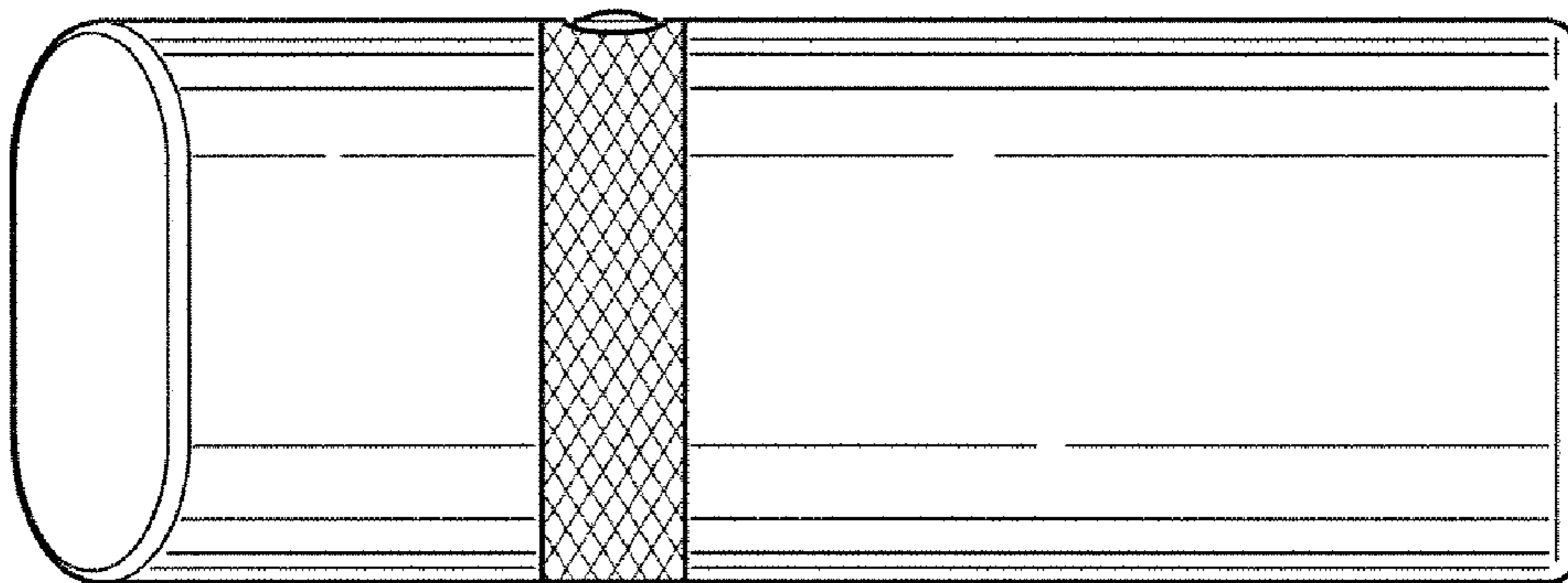


FIG. 27

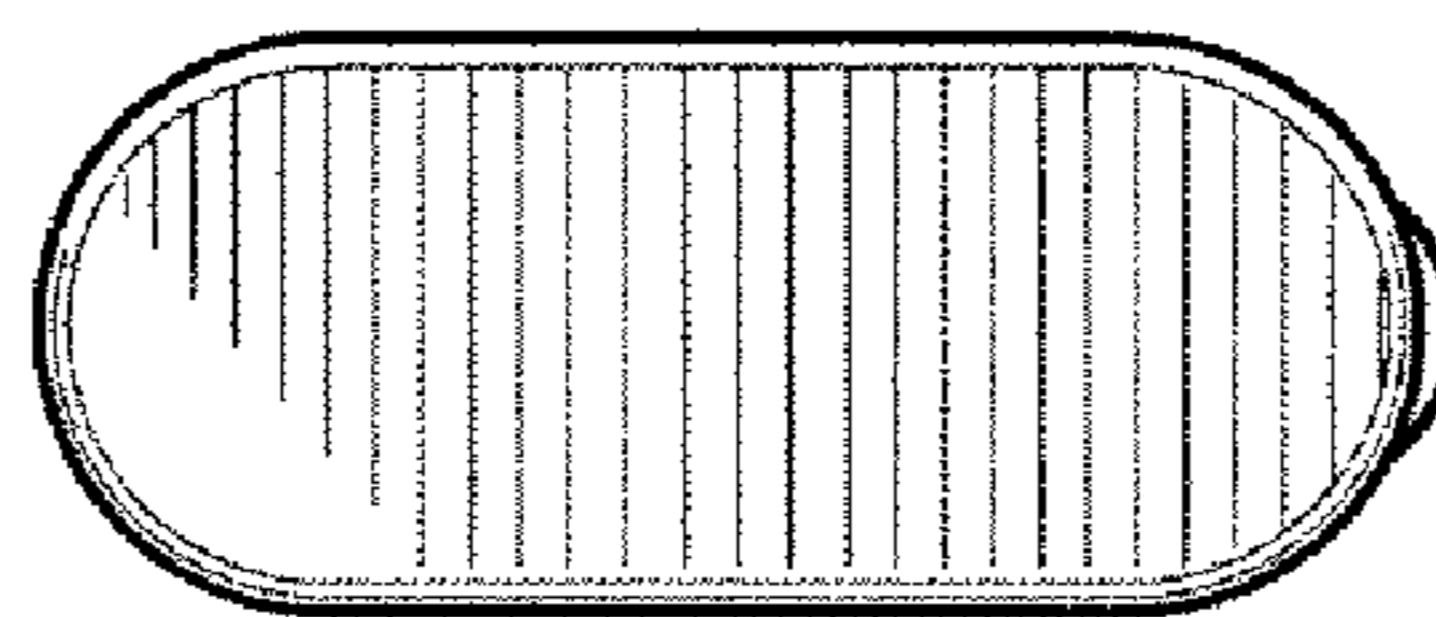


FIG. 28

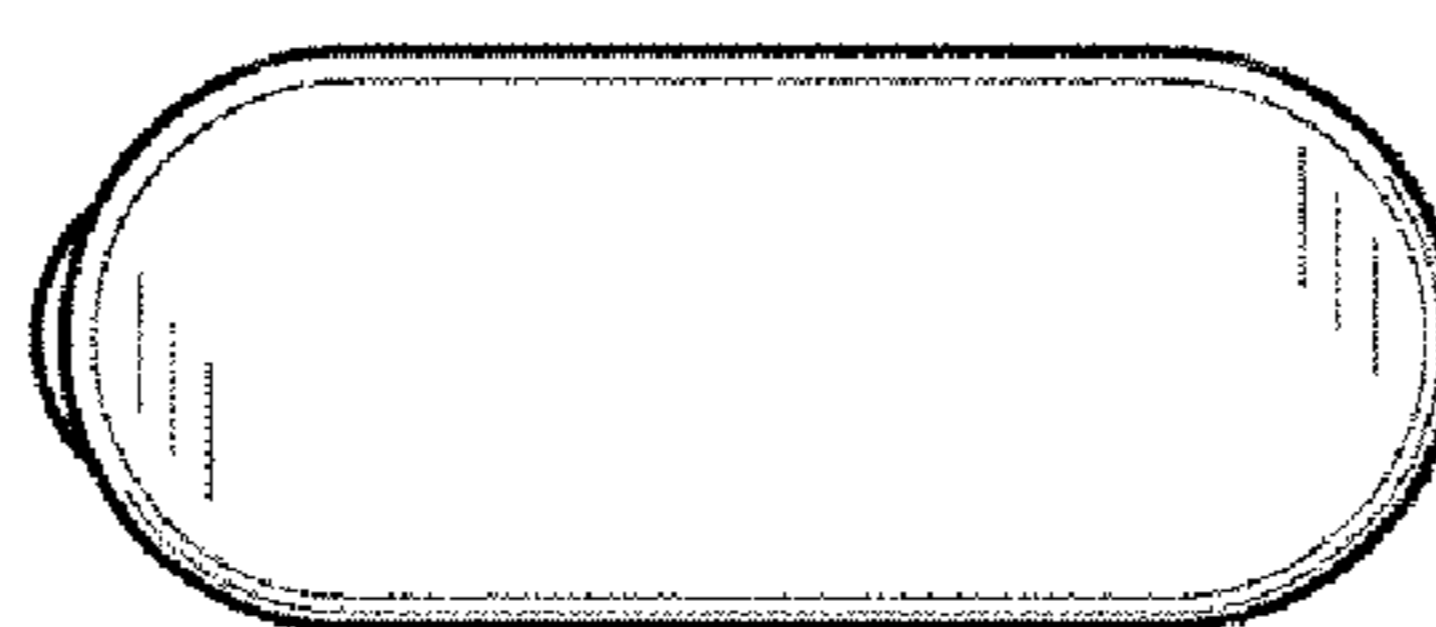


FIG. 29

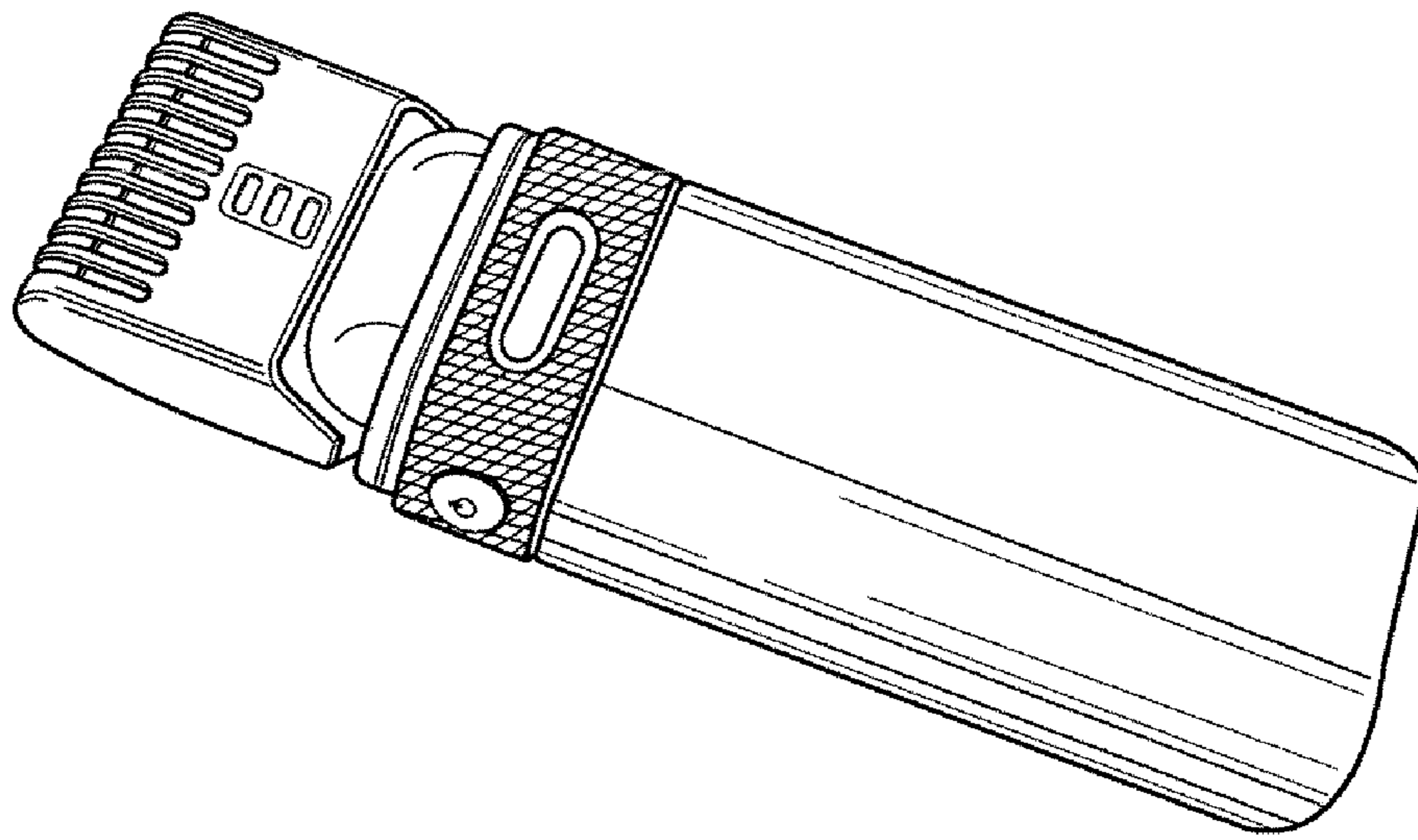


FIG. 30

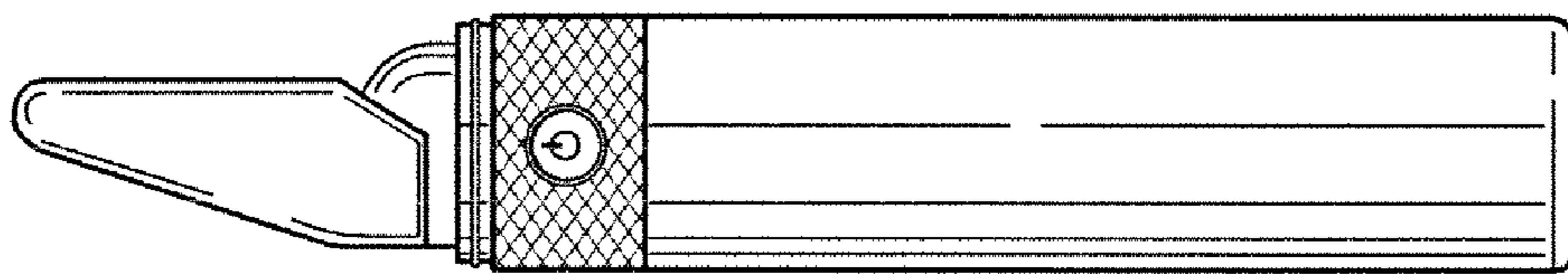


FIG. 31

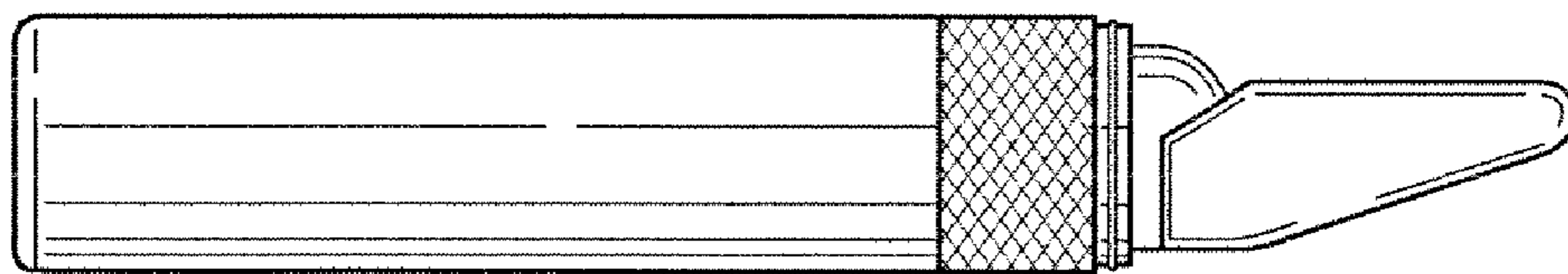


FIG. 32

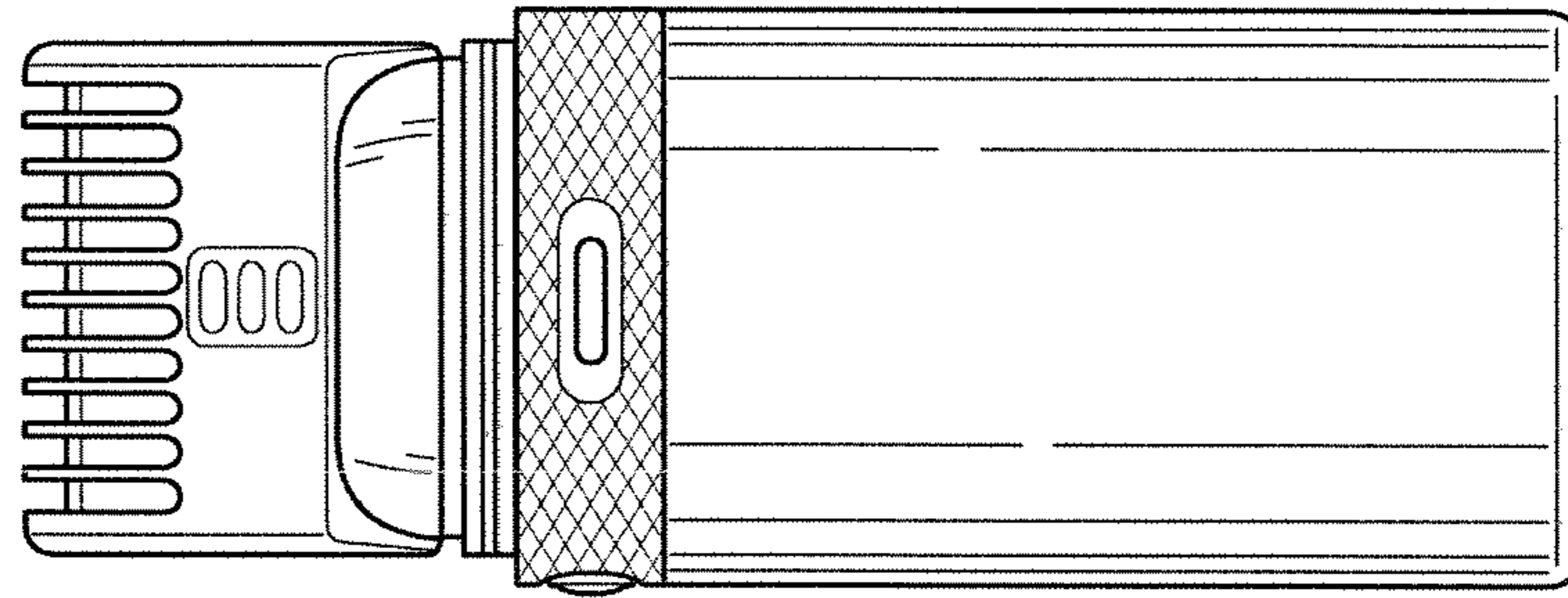


FIG. 33

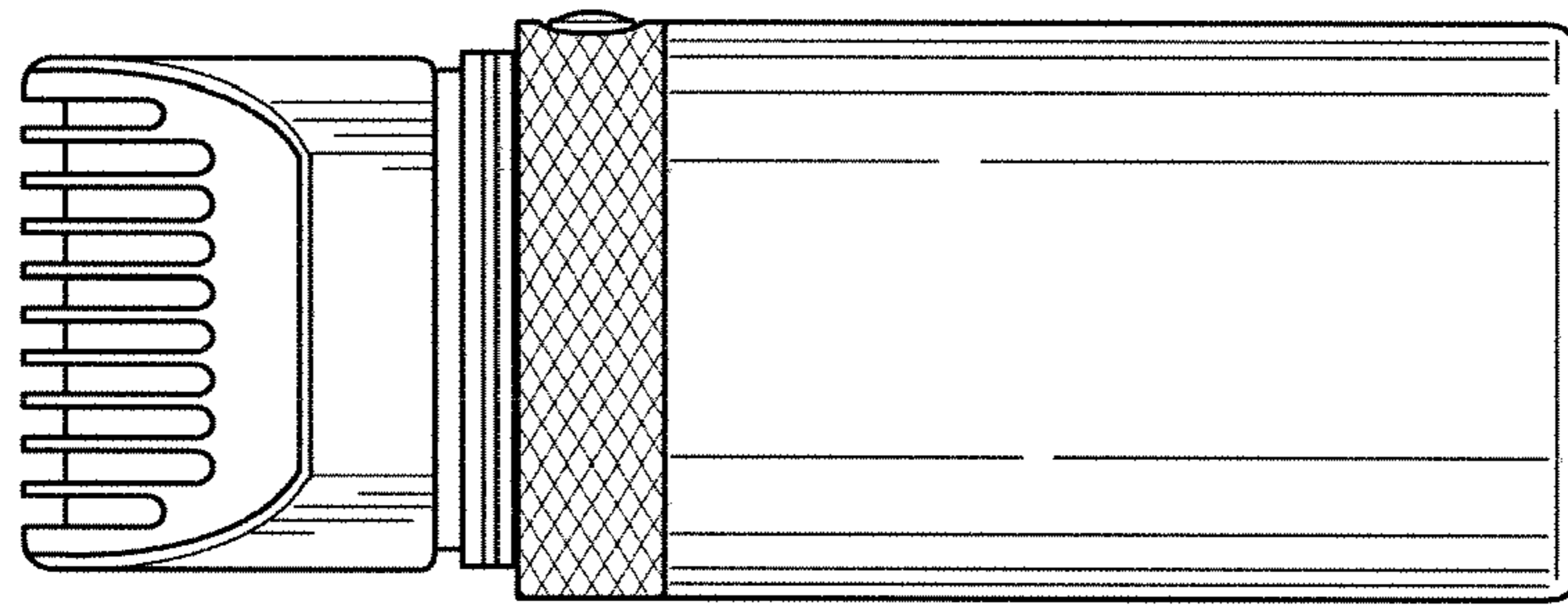


FIG. 34

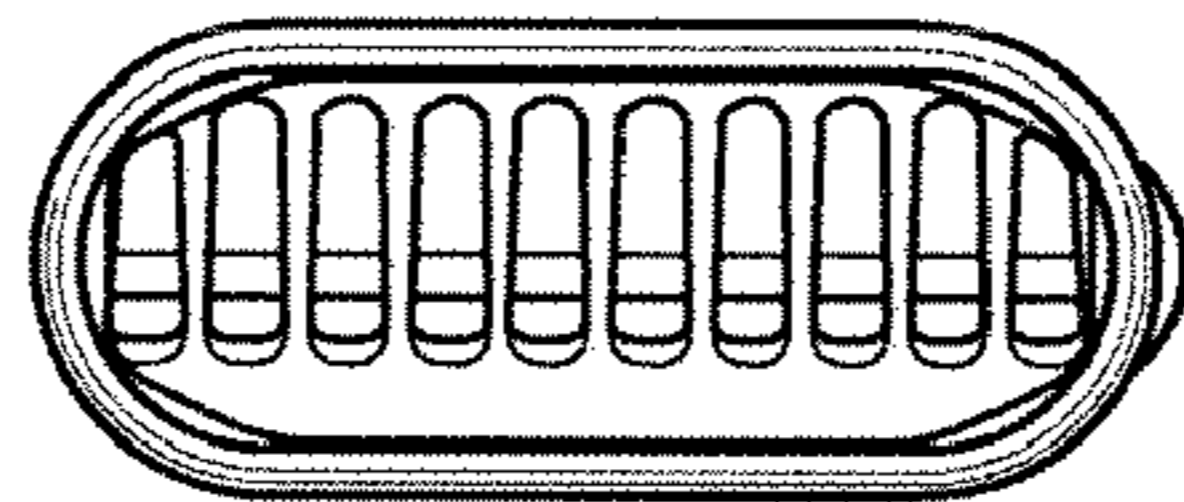


FIG. 35

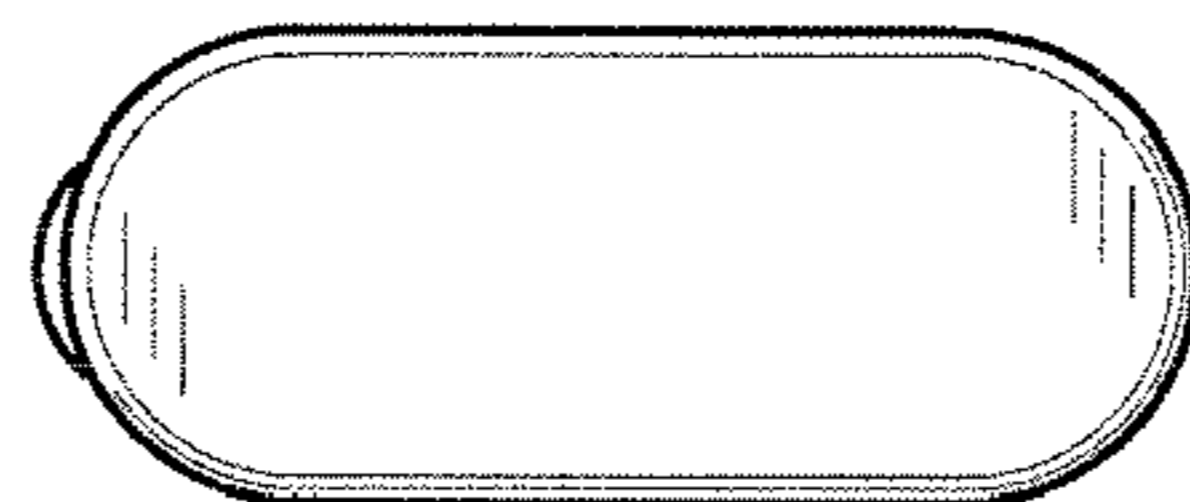


FIG. 36

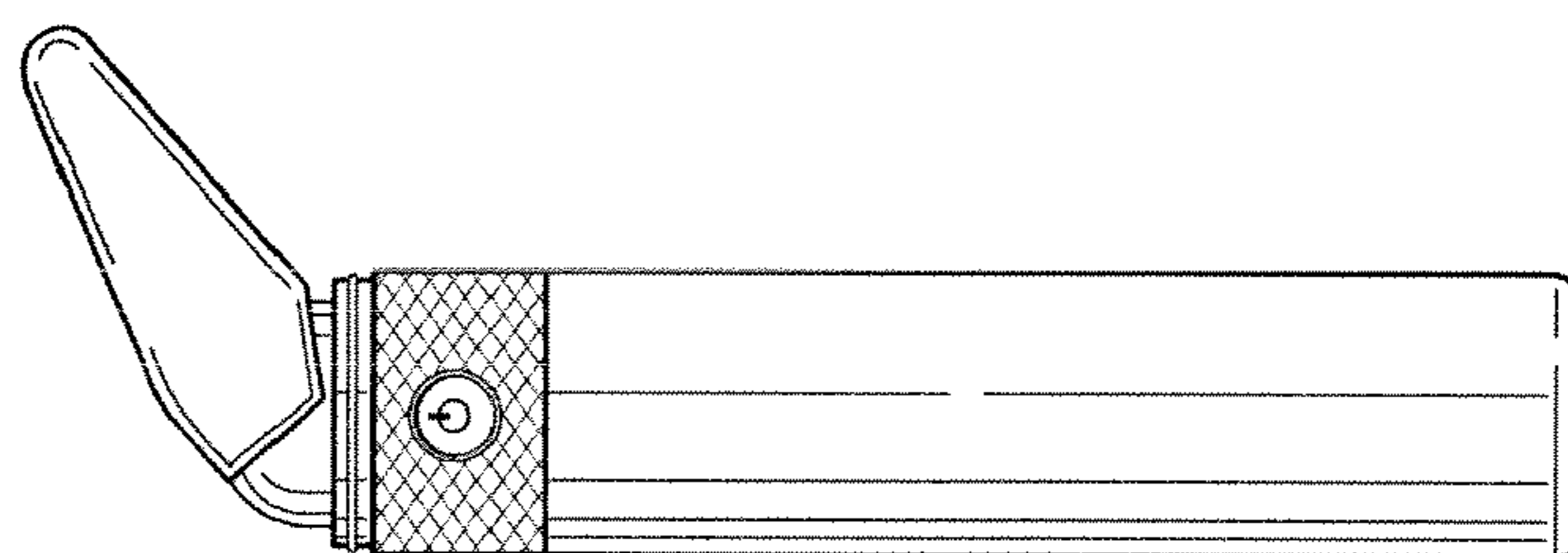


FIG. 37

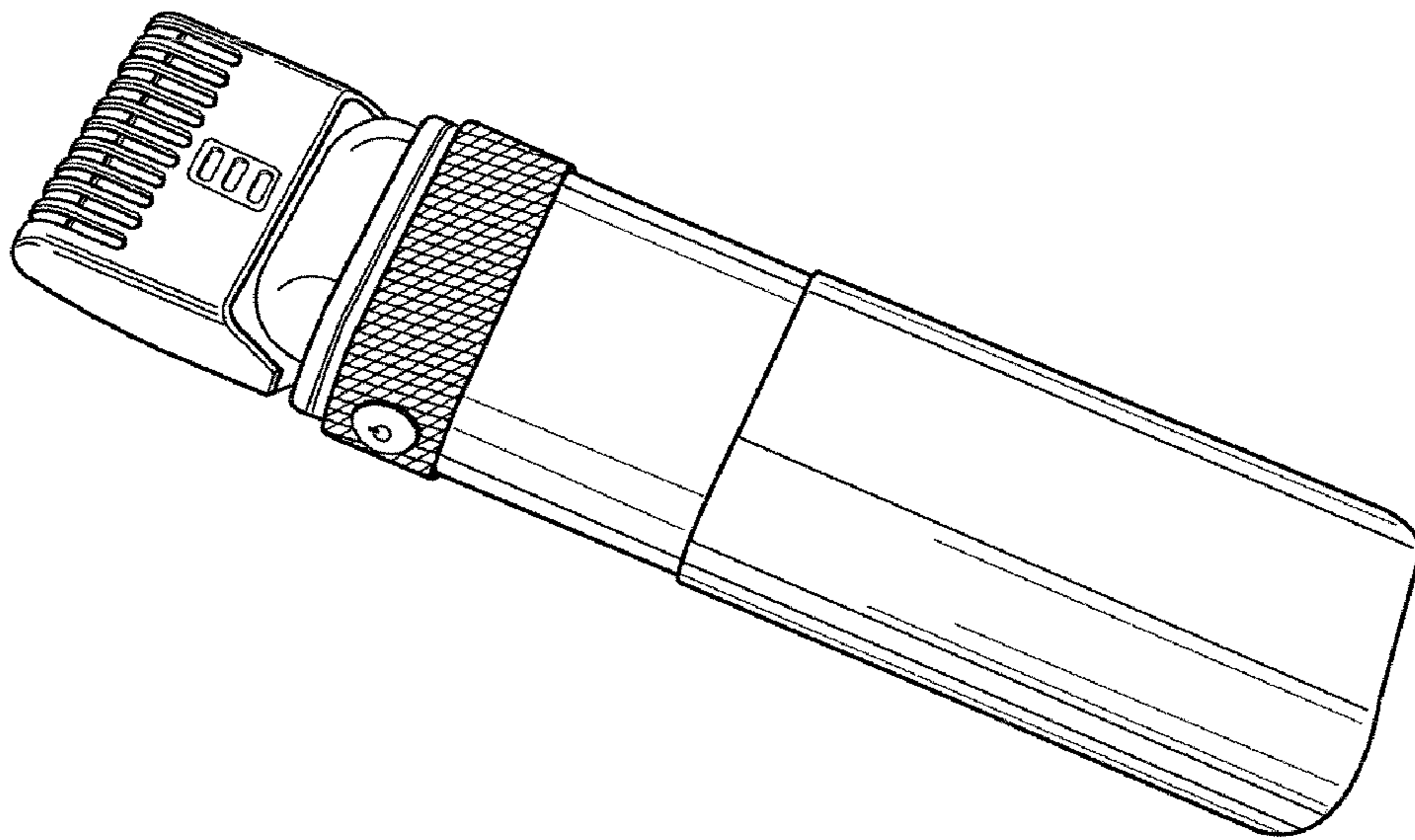


FIG. 38

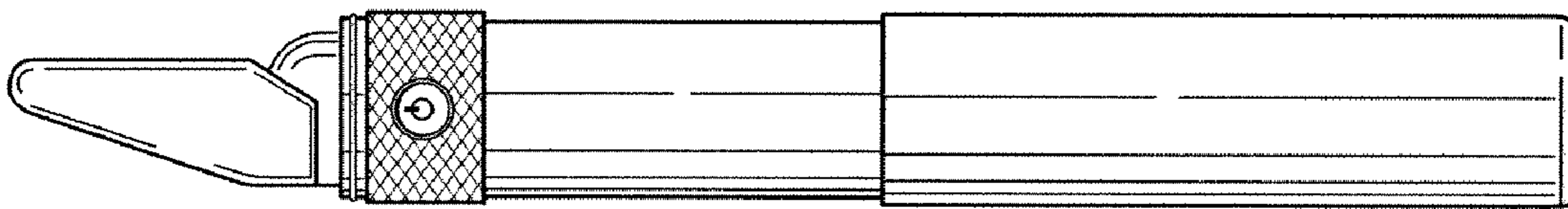


FIG. 39

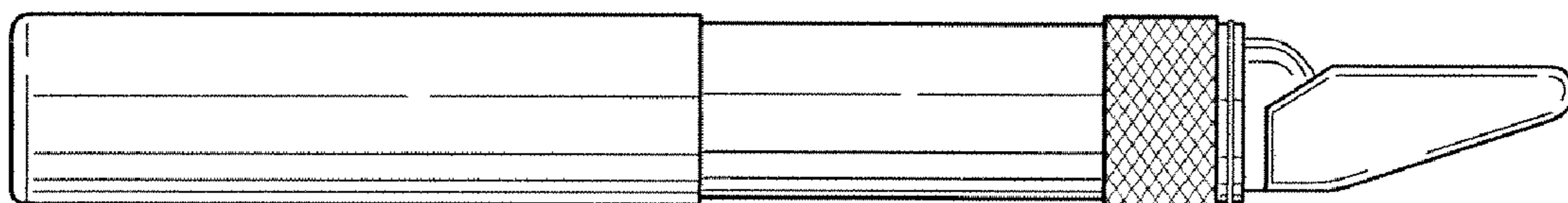


FIG. 40

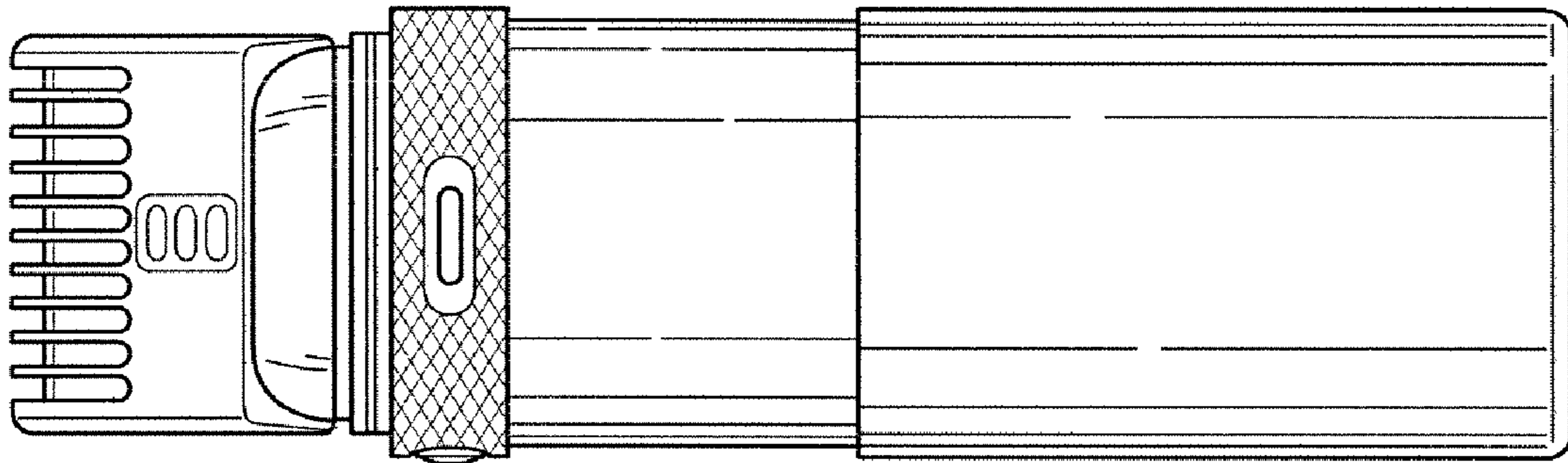


FIG. 41

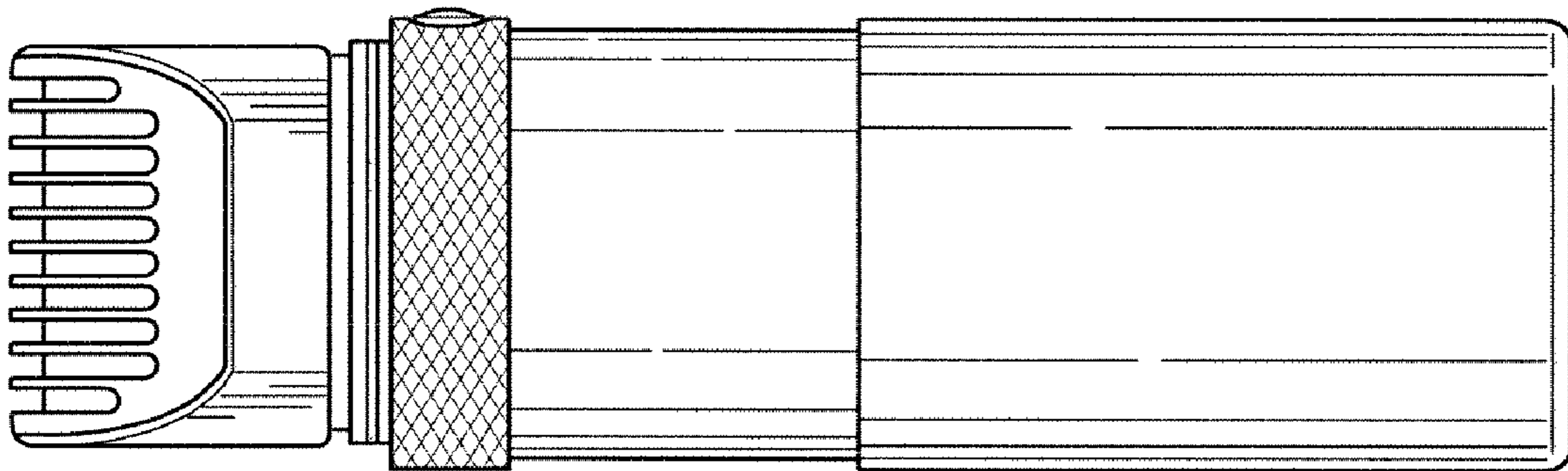


FIG. 42

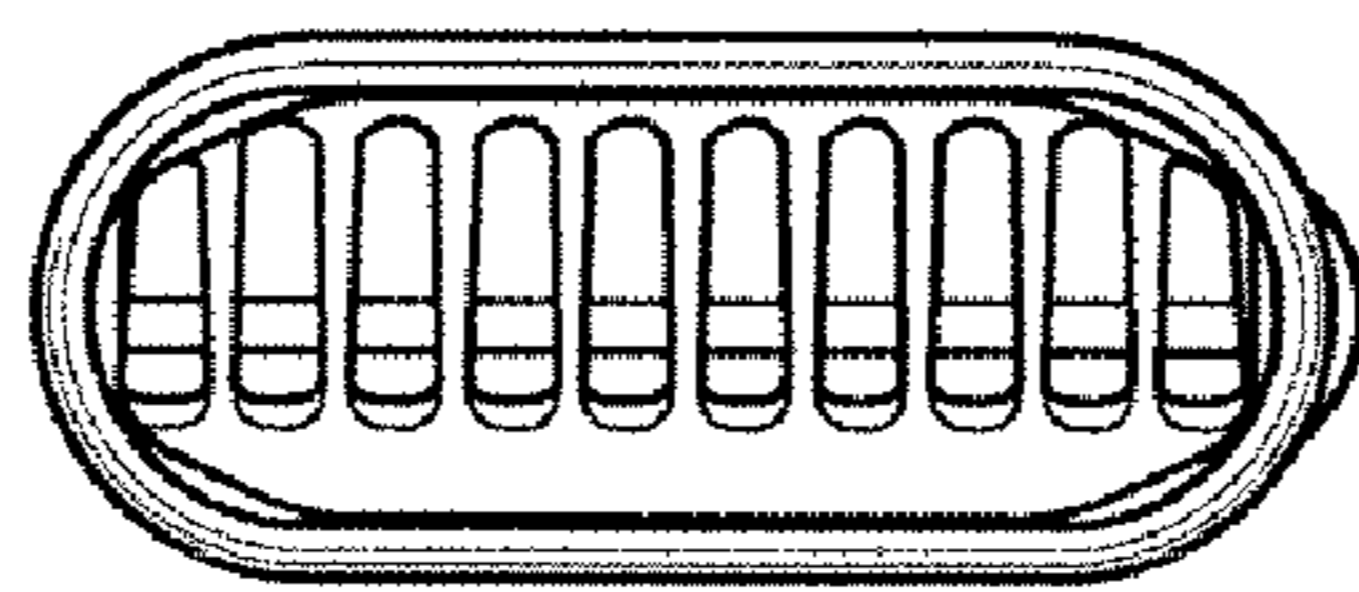


FIG. 43

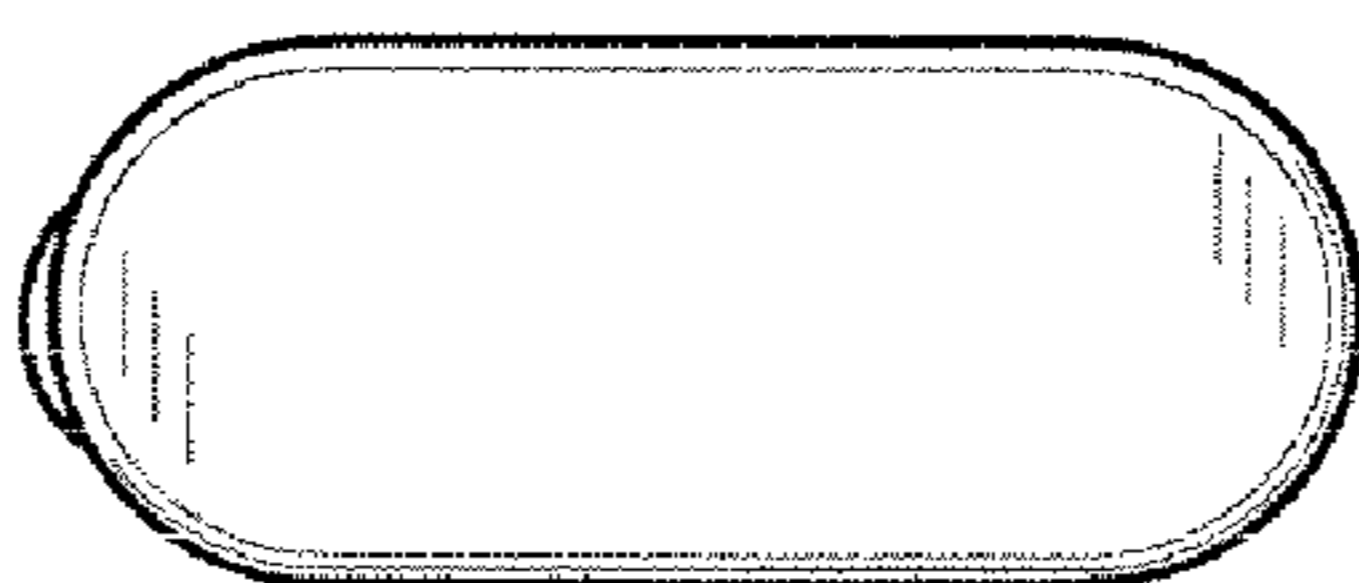


FIG. 44