

US00D560850S

(12) **United States Design Patent**  
**James**

(10) **Patent No.:** **US D560,850 S**

(45) **Date of Patent:** **\*\* Jan. 29, 2008**

(54) **BRAIDING IMPLEMENT**

(76) Inventor: **Constance James**, 236 Ben Lomond,  
Hercules, CA (US) 94547

(\*\*) Term: **14 Years**

(21) Appl. No.: **29/268,897**

(22) Filed: **Nov. 15, 2006**

(51) **LOC (8) Cl.** ..... **28-03**

(52) **U.S. Cl.** ..... **D28/10**

(58) **Field of Classification Search** ..... D28/10,  
D28/38-43; 132/200, 207, 210, 212, 273,  
132/275

See application file for complete search history.

(56) **References Cited**

**U.S. PATENT DOCUMENTS**

2,796,069	A *	6/1957	Mooney, Jr.	132/273
D373,654	S *	9/1996	Schach	D28/10
D374,305	S *	10/1996	Erickson et al.	D28/10
D388,537	S *	12/1997	Jones et al.	D28/10
6,427,701	B1 *	8/2002	Roth	132/212
2006/0065280	A1 *	3/2006	Cheung	132/201

\* cited by examiner

*Primary Examiner*—Jennifer Rivard

(74) *Attorney, Agent, or Firm*—Thomas R. Lampe

(57) **CLAIM**

The ornamental design for braiding implement, as shown and described.

**DESCRIPTION**

FIG. 1 is a perspective view of a first embodiment of braiding implement showing my design;

FIG. 2 is a top plan view thereof;

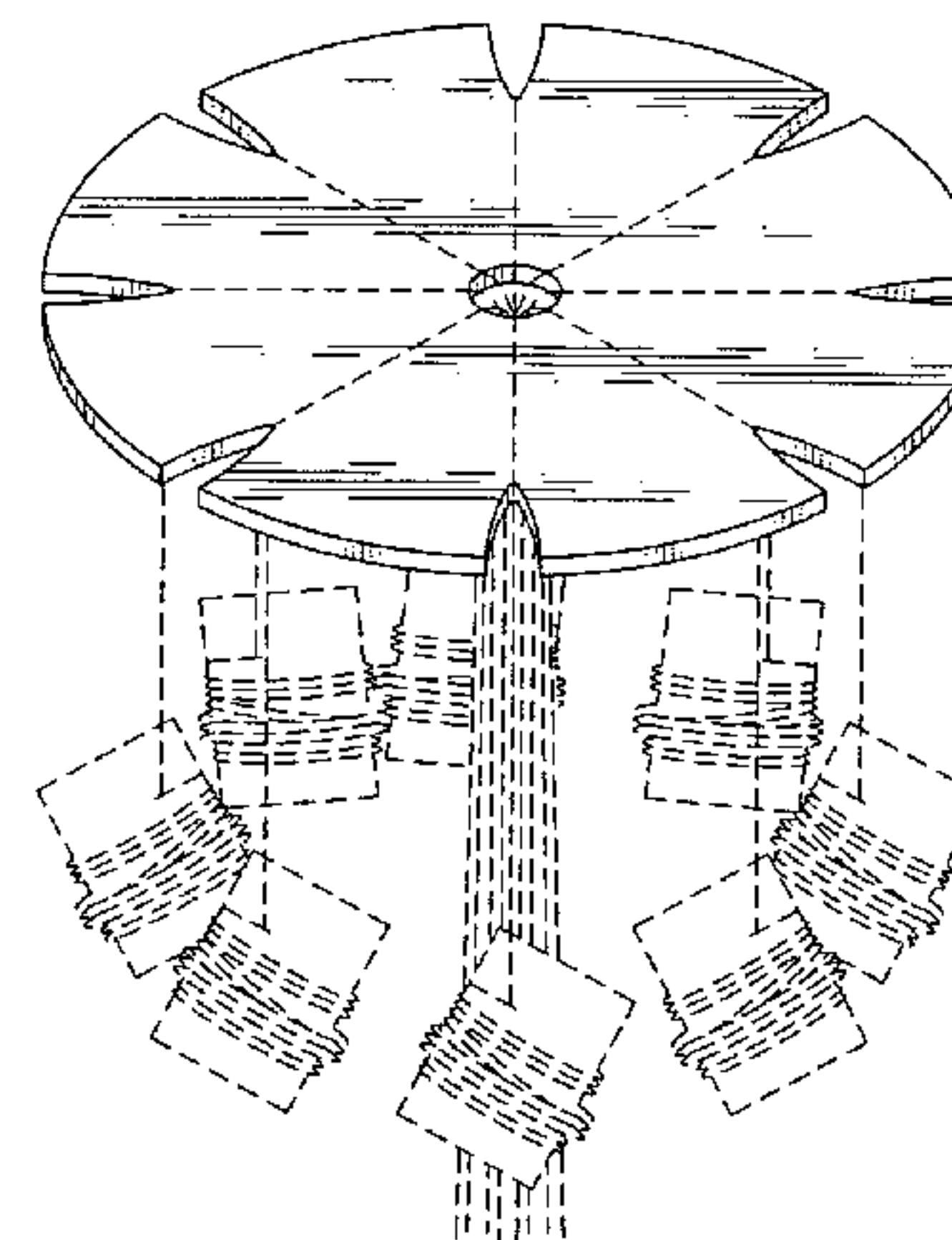
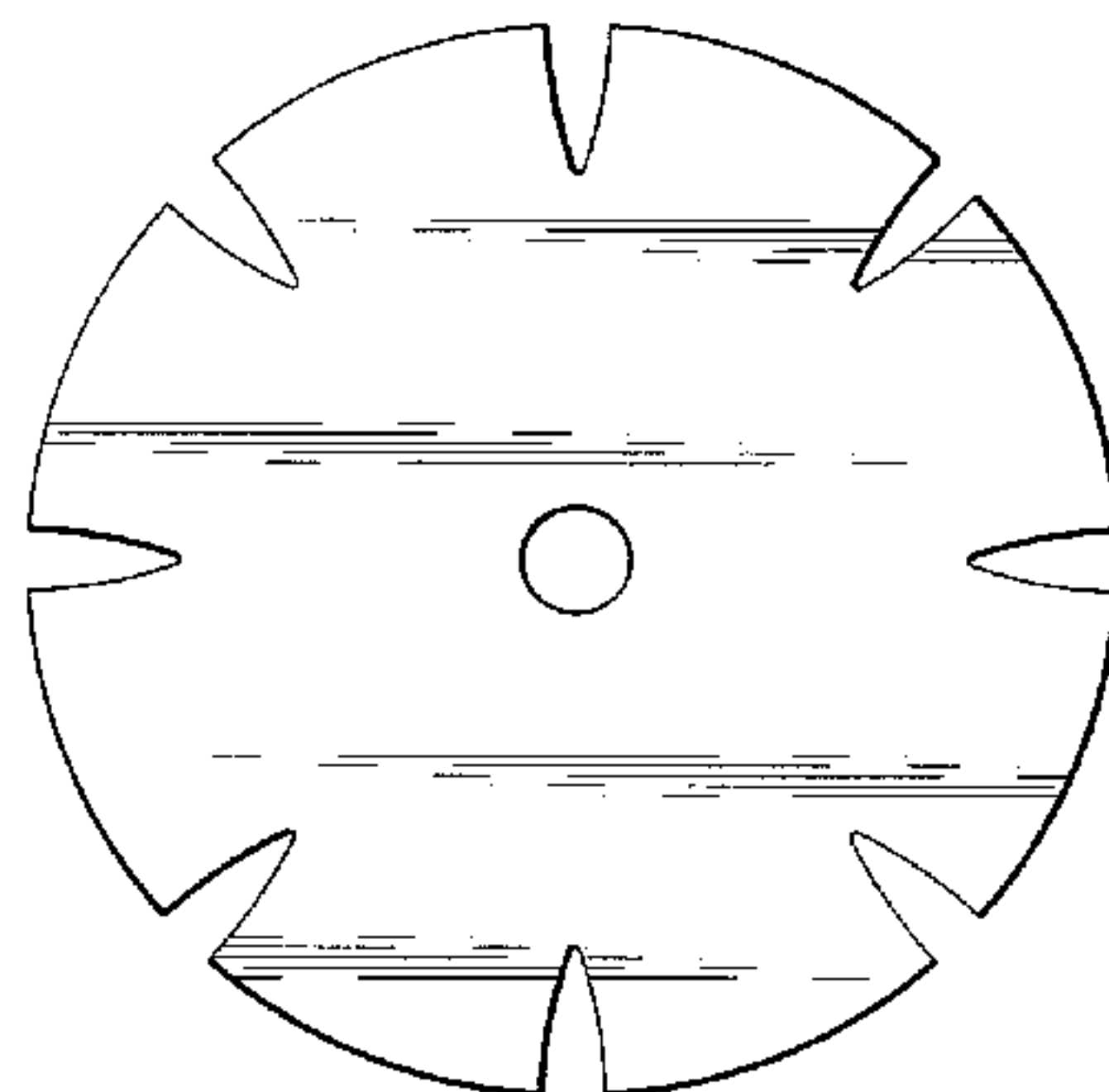
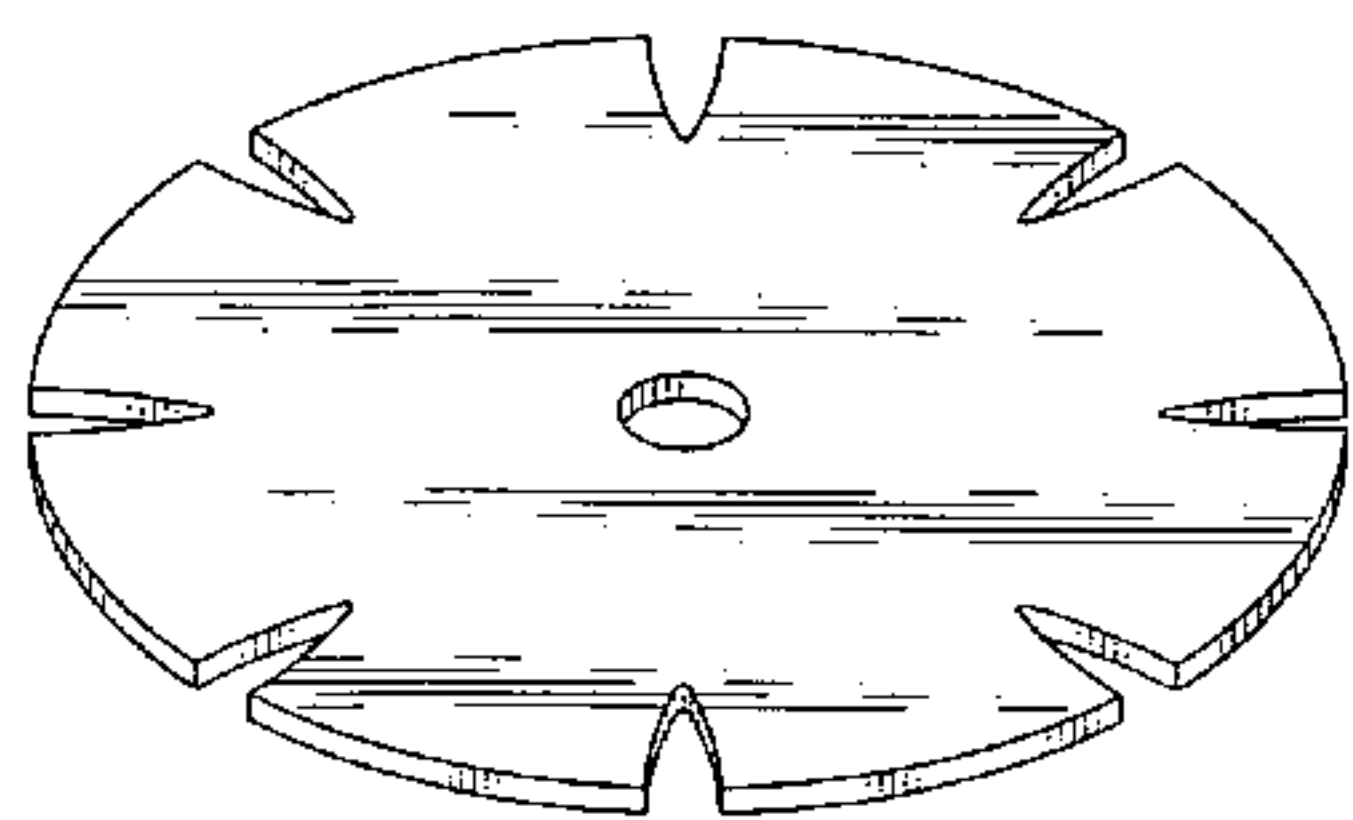
FIG. 3 is a top plan view of a second embodiment showing my design;

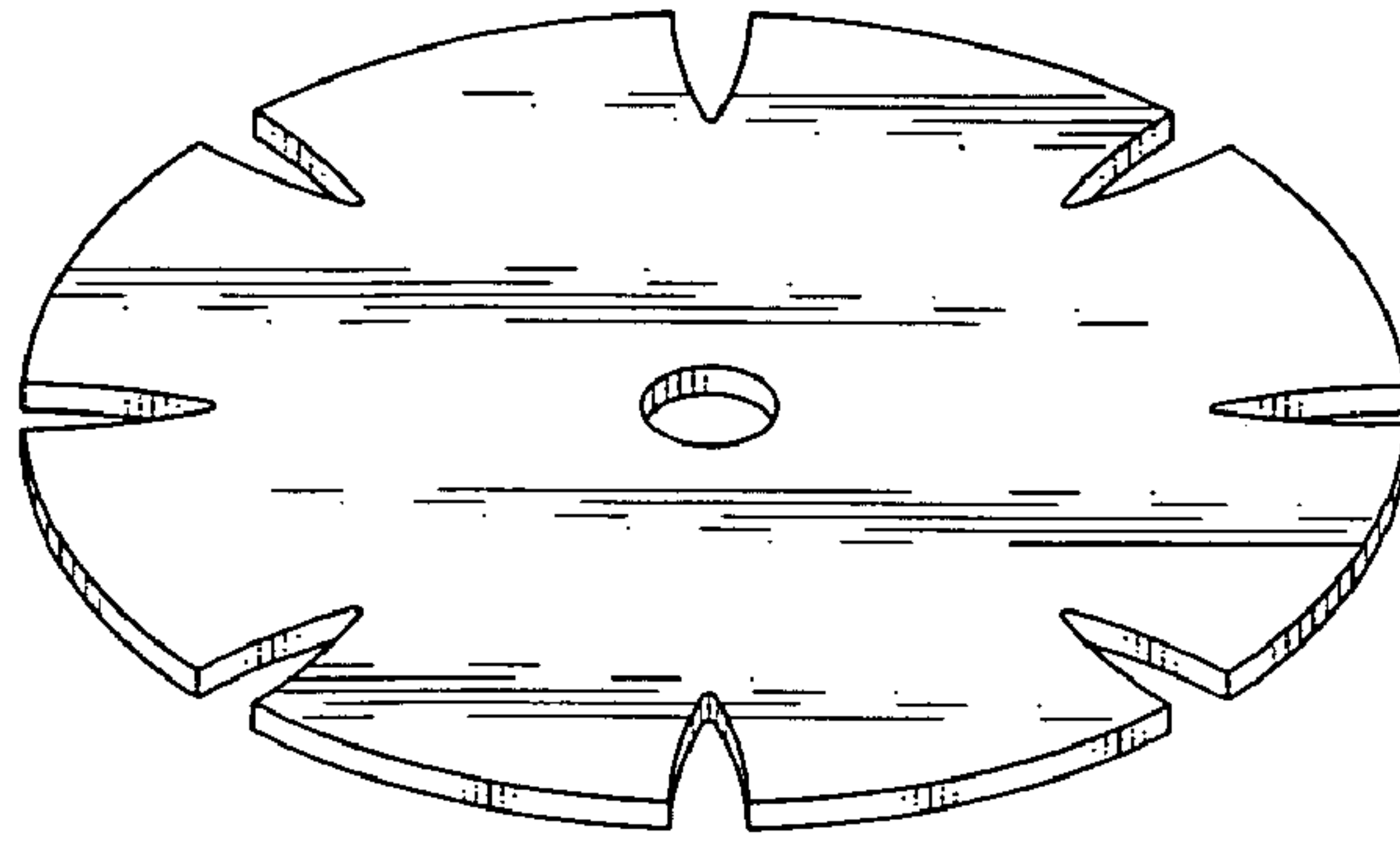
FIG. 4 is a top plan view of a third embodiment showing my design;

FIG. 5 is a front elevation view of the first, second and third embodiments, the side and rear views being identical thereto; and,

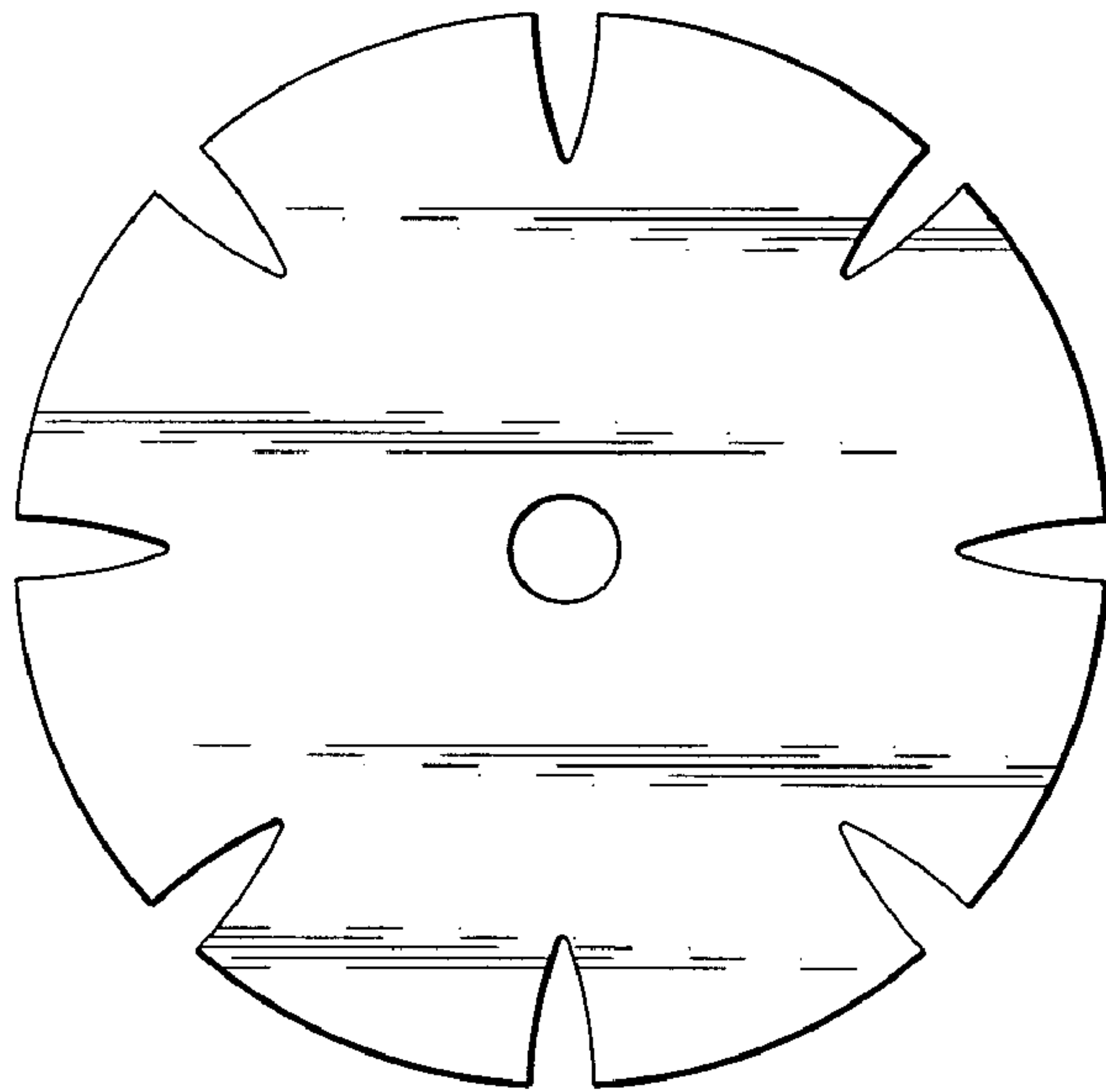
FIG. 6 is a perspective view similar to FIG. 1, but including a broken line showing of braiding string and bobbins for illustrative purposes only and forming no part of the claimed design.

**1 Claim, 2 Drawing Sheets**

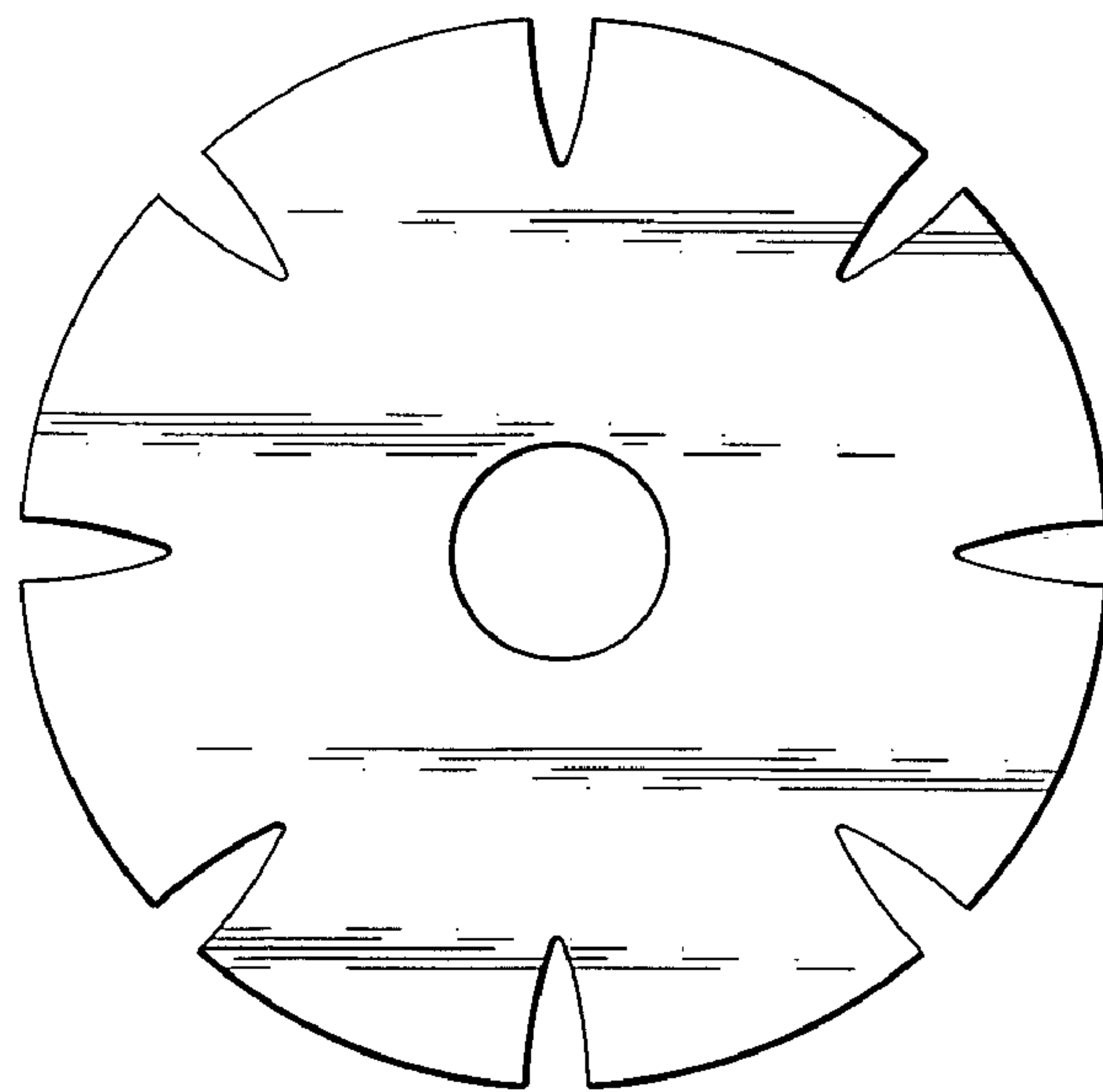




*Fig. 1*



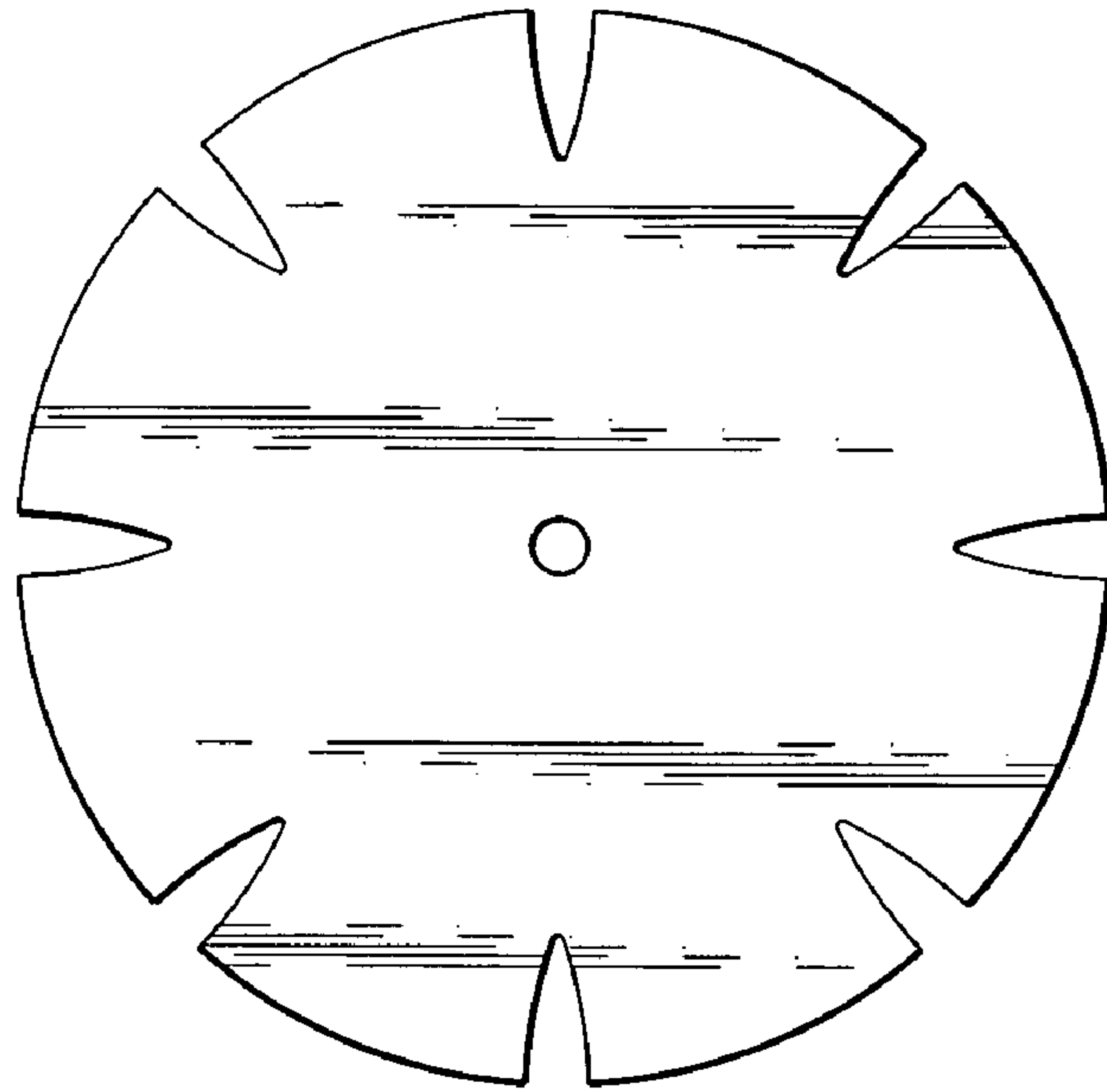
*Fig. 2*



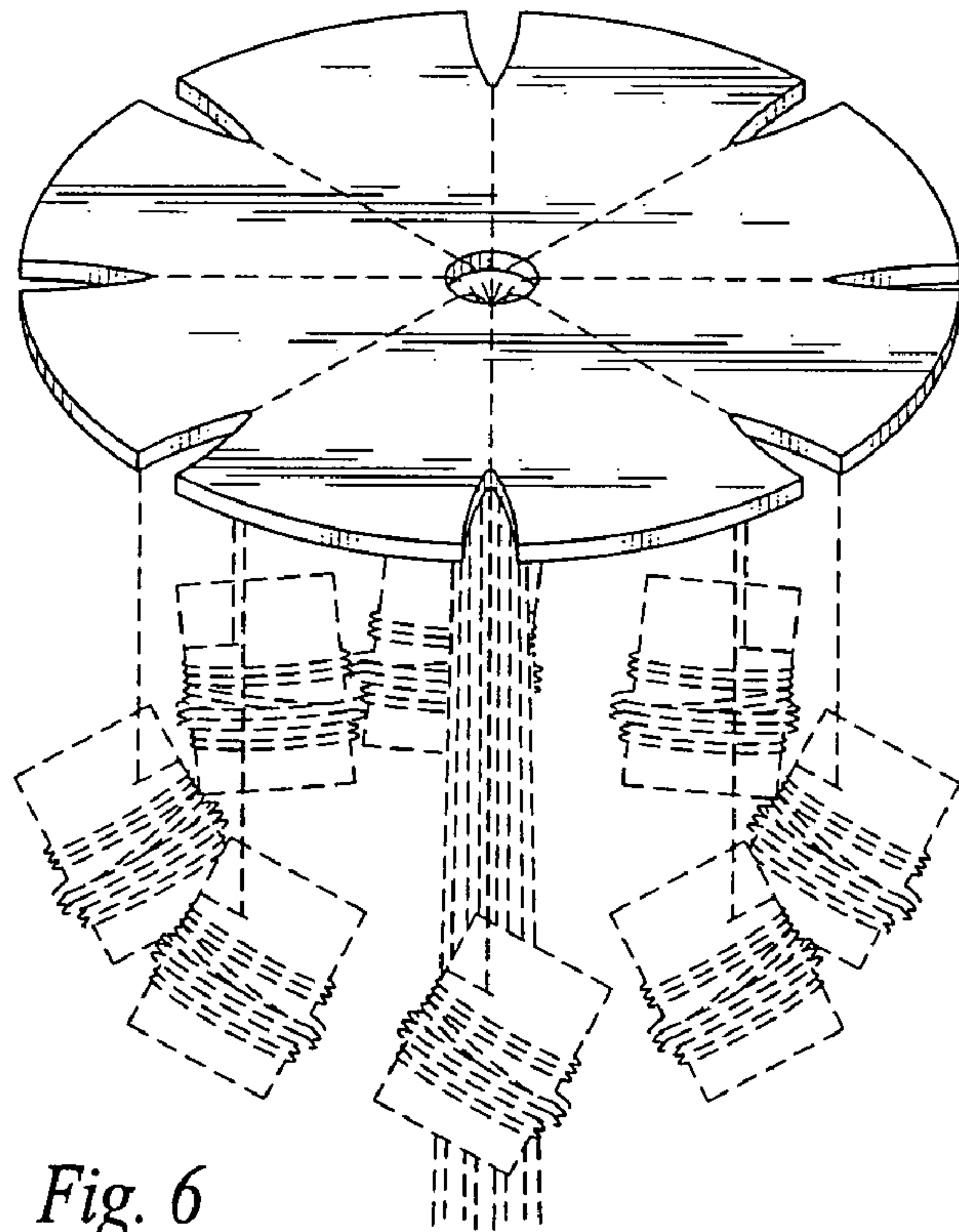
*Fig. 3*



*Fig. 5*



*Fig. 4*



*Fig. 6*