



US00D560847S

(12) **United States Design Patent**
Ladewig

(10) **Patent No.:** **US D560,847 S**
(45) **Date of Patent:** **** Jan. 29, 2008**

(54) **YOKE SUPPORT**

(75) Inventor: **Christopher Ladewig**, Fayetteville, GA (US)

(73) Assignee: **Cooper Technologies Company**, Houston, TX (US)

(**) Term: **14 Years**

(21) Appl. No.: **29/252,403**

(22) Filed: **Jan. 23, 2006**

Related U.S. Application Data

(63) Continuation of application No. 29/233,364, filed on Jun. 30, 2005.

(51) **LOC (8) Cl.** **26-99**

(52) **U.S. Cl.** **D26/141**

(58) **Field of Classification Search** D26/24, D26/27, 35, 36, 60, 61, 63, 72, 81, 113, 138, D26/140, 141, 143, 142, 150, 151, 152, 155; 362/554, 523, 532, 198, 219, 220, 221, 648, 362/647, 370, 371, 382, 404, 405, 432
See application file for complete search history.

(56) **References Cited**

U.S. PATENT DOCUMENTS

966,626 A * 8/1910 Ummach 248/317
1,047,568 A * 12/1912 Riess 59/78.1

(Continued)

OTHER PUBLICATIONS

www.caprilighting.com, Capri Lighting, Bell Shaped Decorative Lampholder, Apr. 4, 2006 (1 page).
www.caprilighting.com, Capril Lighting, Gimbals, Apr. 4, 2006 (1 page).
Capri Lighting, CT5720, CT5730, CT5740, Line Voltage 1120V Nautilus, TR1-27, rev. Sep. 2005 (2 pages).

Primary Examiner—Freda S. Nunn

Assistant Examiner—Kevin K Rudzinski

(74) *Attorney, Agent, or Firm*—SAIDMAN DesignLaw Group

(57) **CLAIM**

The ornamental design for a yoke support, as shown and described.

DESCRIPTION

The application is related to co-pending applications: Ser. No. 11/322,837, filed Dec. 30, 2005 and titled “Halo Flex Track”; Ser. No. 11/324,099, filed Dec. 30, 2005 and titled “Halo Power Supplies”; Ser. No. 11/323,231, filed Dec. 30, 2005 and titled “Halo Clam Shell Connections”; and Ser. No. 11/323,755, filed Dec. 30, 2005 and titled “Halo Hubs and Connections”.

FIG. 1 is a perspective view of a first embodiment of a yoke support showing my new design;

FIG. 2 is a side view thereof;

FIG. 3 is a rear view thereof;

FIG. 4 is a top view thereof;

FIG. 5 is a perspective view of a second embodiment thereof;

FIG. 6 is a side view thereof;

FIG. 7 is a front view thereof;

FIG. 8 is a top view thereof;

FIG. 9 is a perspective view of a third embodiment thereof;

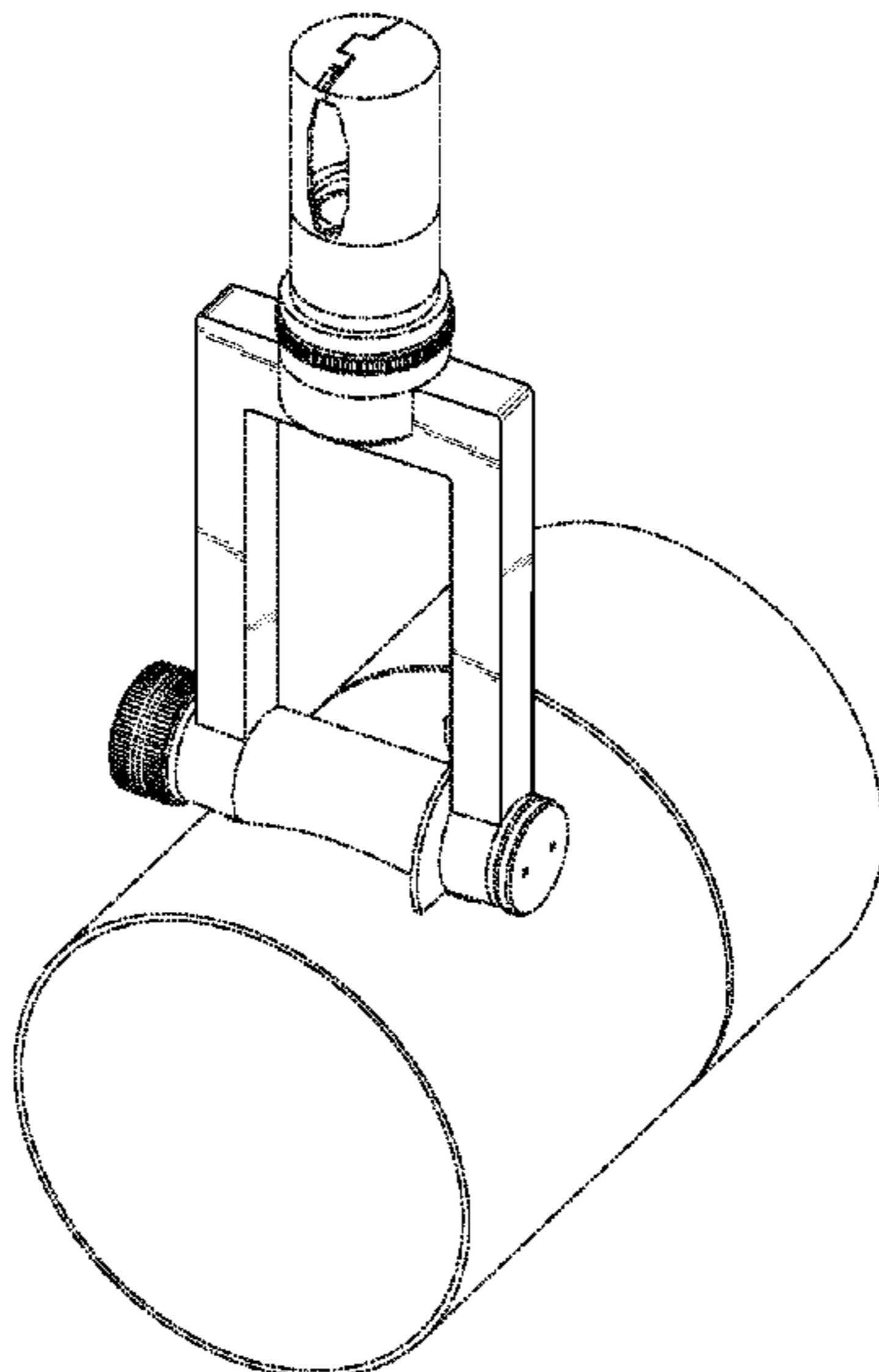
FIG. 10 is a side view thereof;

FIG. 11 is a front view thereof; and,

FIG. 12 is a top view thereof.

The broken lines form no part of the claimed design.

1 Claim, 12 Drawing Sheets



US D560,847 S

Page 2

U.S. PATENT DOCUMENTS

D66,996 S *	4/1925	Whittington	D16/140	D370,080 S *	5/1996	Stultz	D26/140
D115,325 S *	6/1939	Albright	D26/60	D372,550 S *	8/1996	Stultz	D26/63
D136,799 S *	12/1943	Vendope	D26/64	5,580,157 A *	12/1996	Patricca et al.	362/191
2,426,436 A *	8/1947	Cochener	362/371	D395,140 S *	6/1998	O'Rourke	D26/140
D225,261 S *	11/1972	Houplain	D26/65	D411,639 S *	6/1999	Yang	D26/63
3,725,695 A *	4/1973	Eversberg et al.	362/394	6,004,005 A	12/1999	Demshki, Jr.	
3,894,781 A *	7/1975	Donato	439/121	D421,664 S *	3/2000	Sherman	D26/153
D243,760 S *	3/1977	Devinney, Jr.	D26/63	D445,949 S *	7/2001	Dolan	D26/155
4,164,783 A *	8/1979	Wandler	362/645	D473,970 S *	4/2003	Johnson	D26/138
D257,398 S *	10/1980	Tedesco	D26/85	D482,476 S *	11/2003	Kwong	D26/63
D296,244 S *	6/1988	Donato	D26/63	6,676,281 B2	1/2004	Bray et al.	
D299,553 S *	1/1989	Donato	D26/63	6,716,042 B2	4/2004	Lin	
4,975,817 A *	12/1990	Reimers	362/418	D493,568 S *	7/2004	Parres	D26/143
5,154,509 A *	10/1992	Wulfman et al.	362/648	2004/0062046 A1 *	4/2004	Jenkins	362/367
5,176,442 A *	1/1993	Richardson	362/286	2004/0160767 A1	8/2004	Mobarak et al.	
D359,574 S *	6/1995	Bornhorst et al.	D26/65				

* cited by examiner

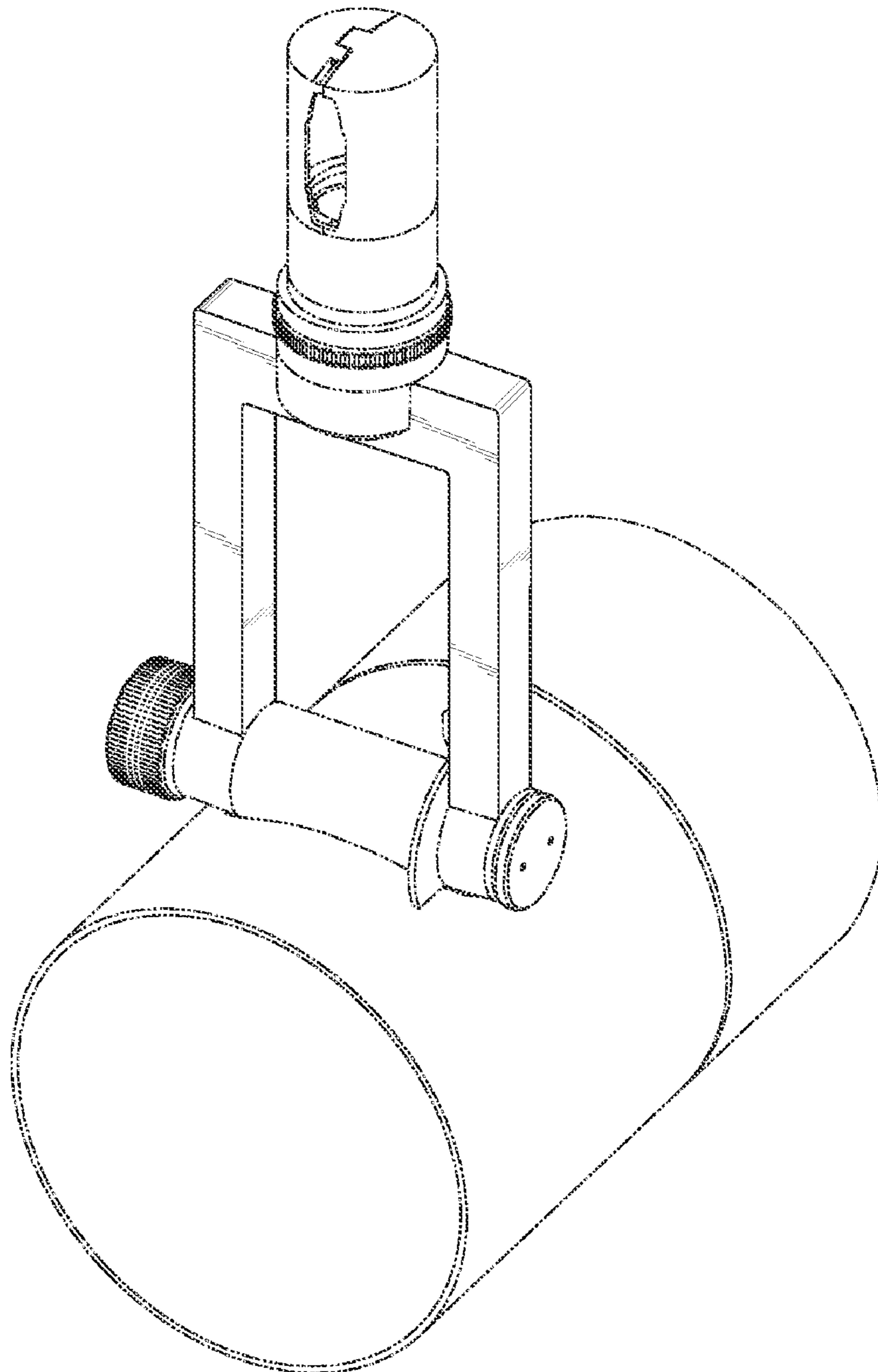


Fig. 1

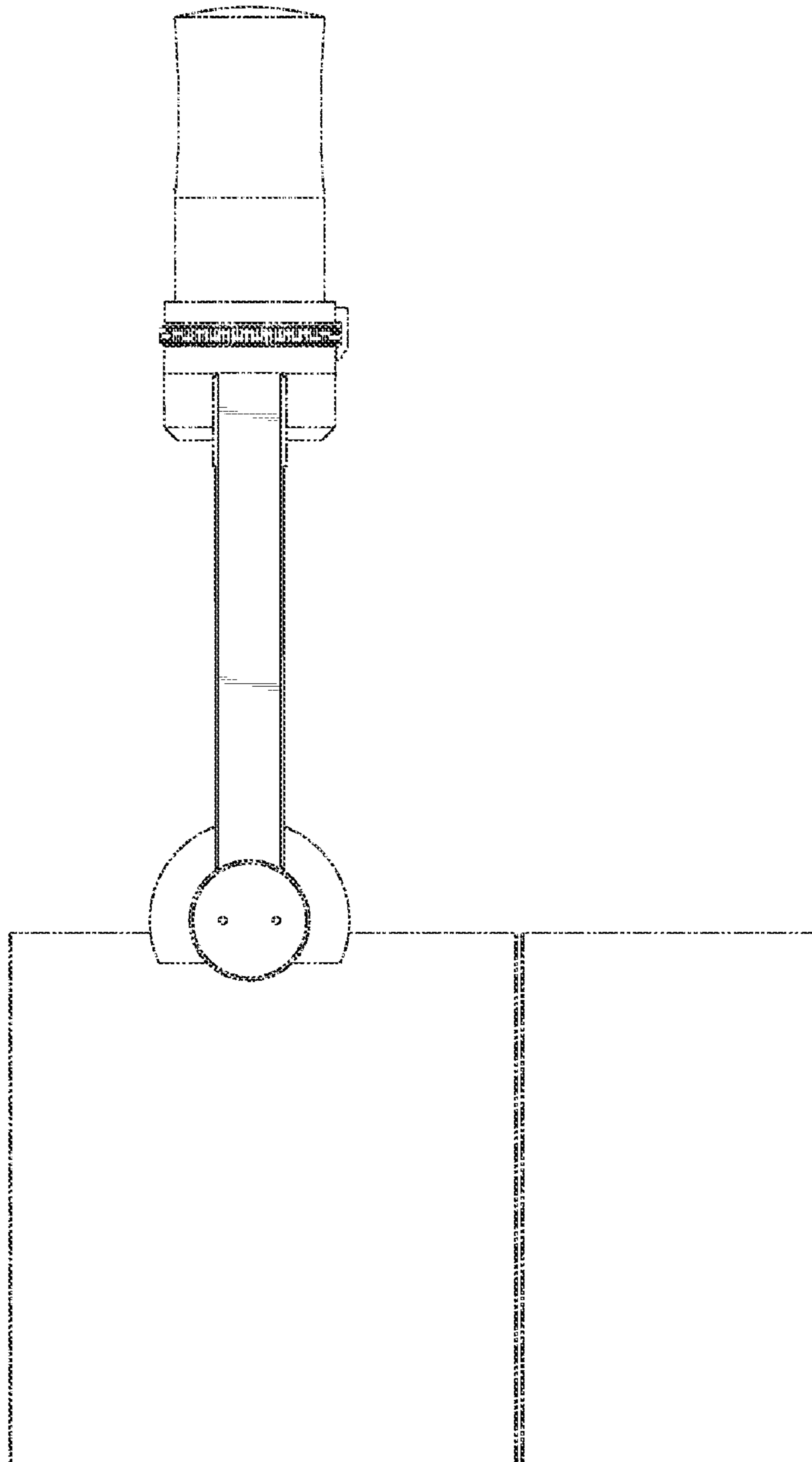


Fig. 2

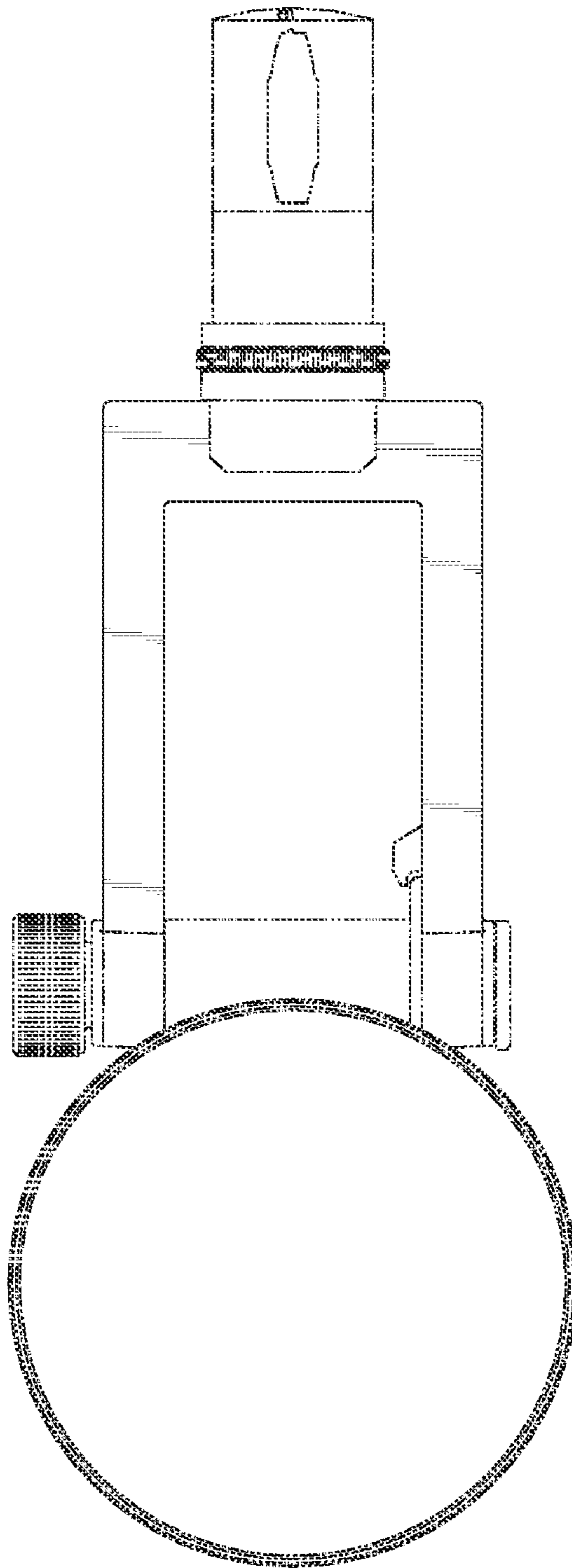


Fig. 3

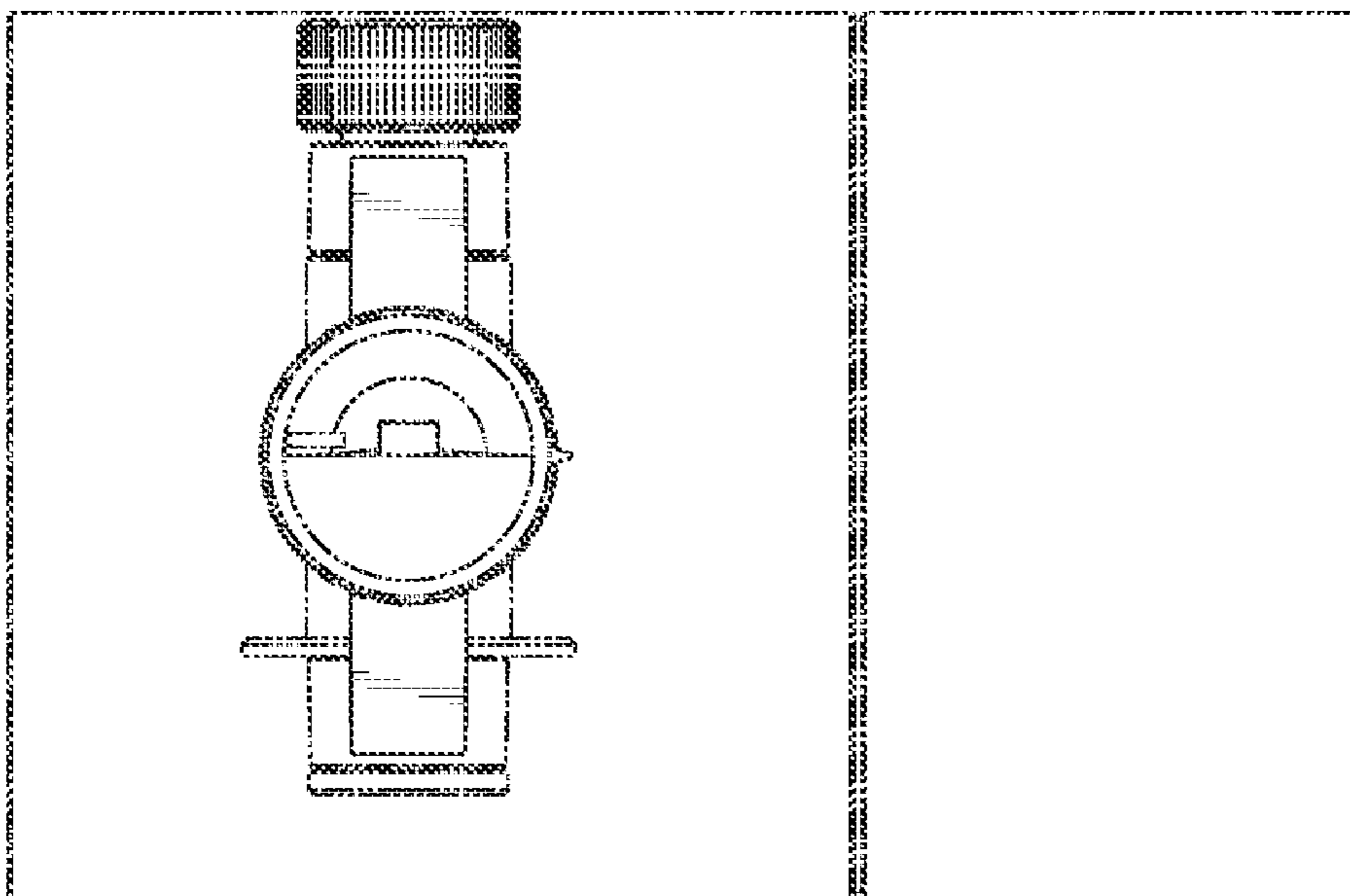


Fig. 4

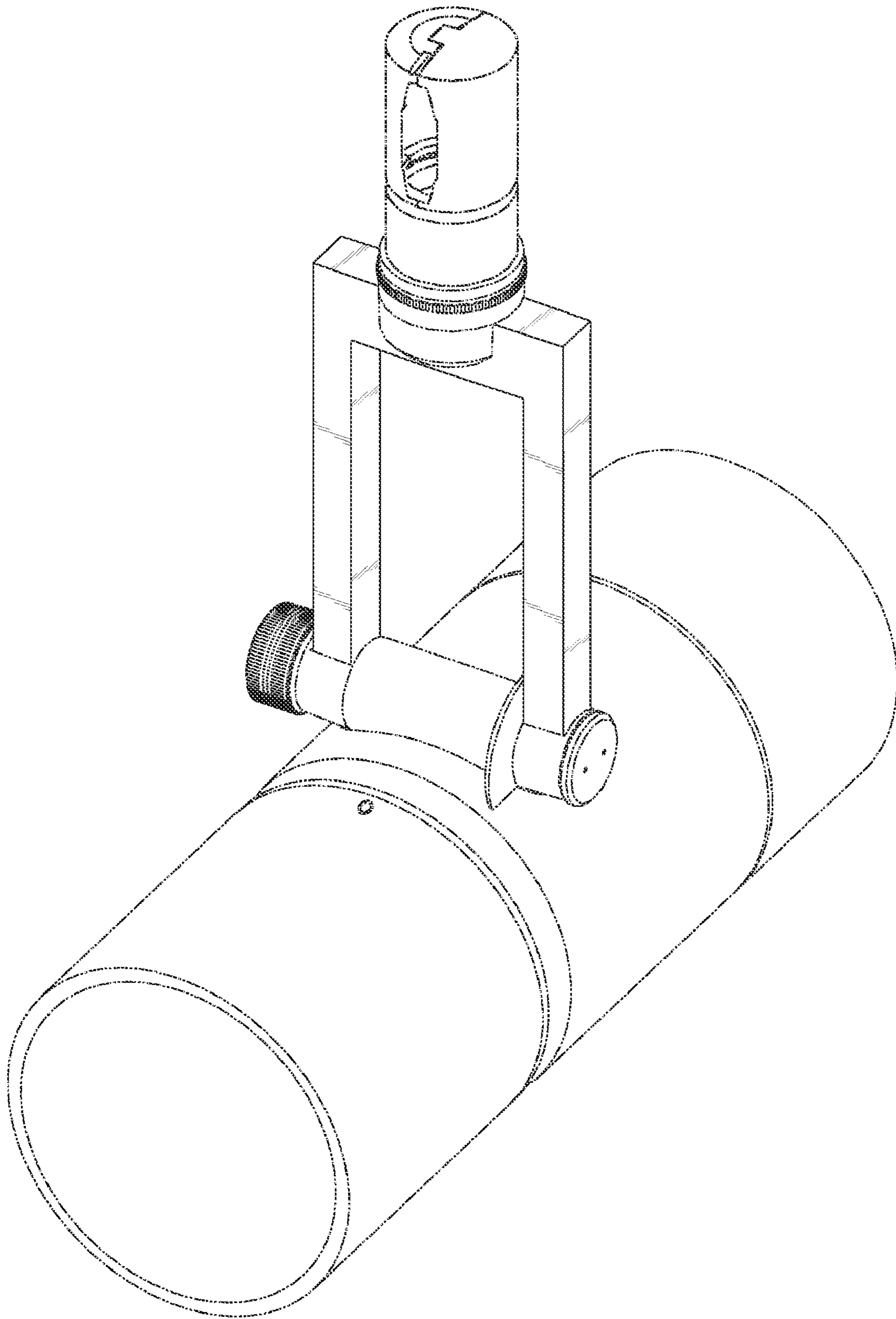


Fig. 5

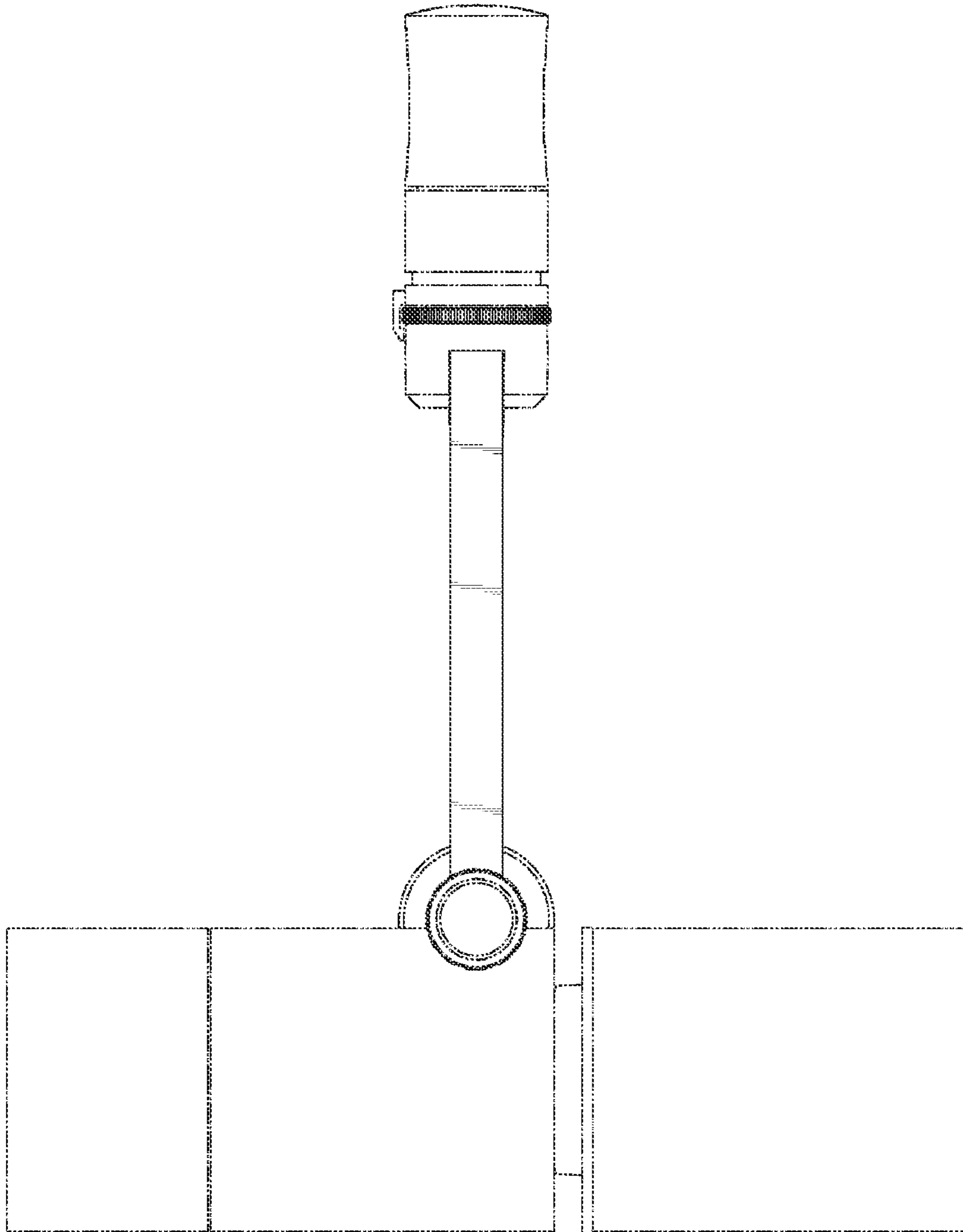


Fig. 6

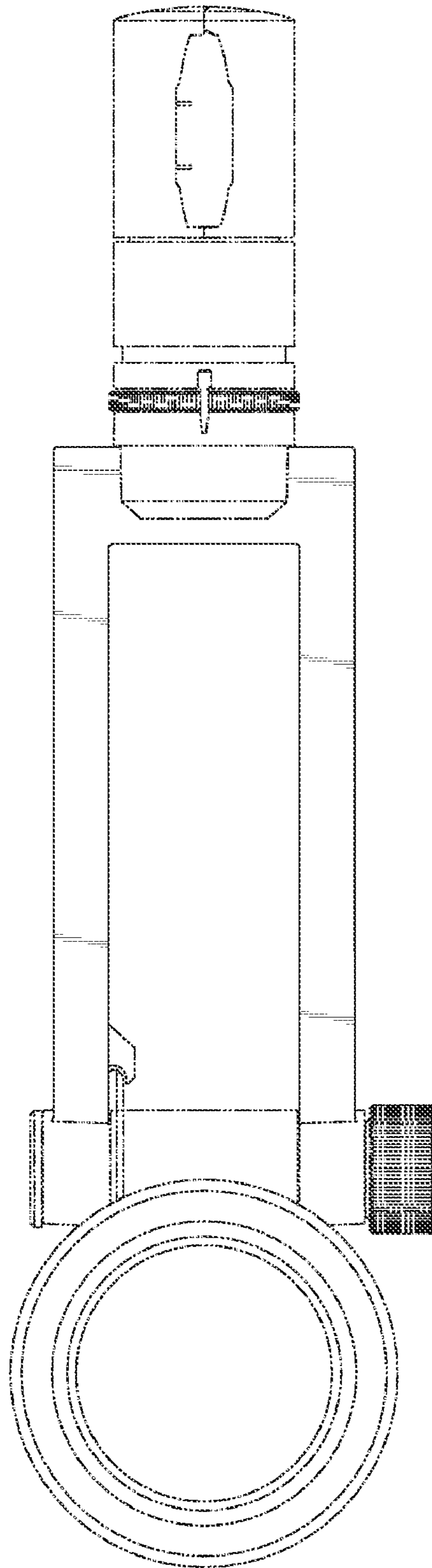


Fig. 7

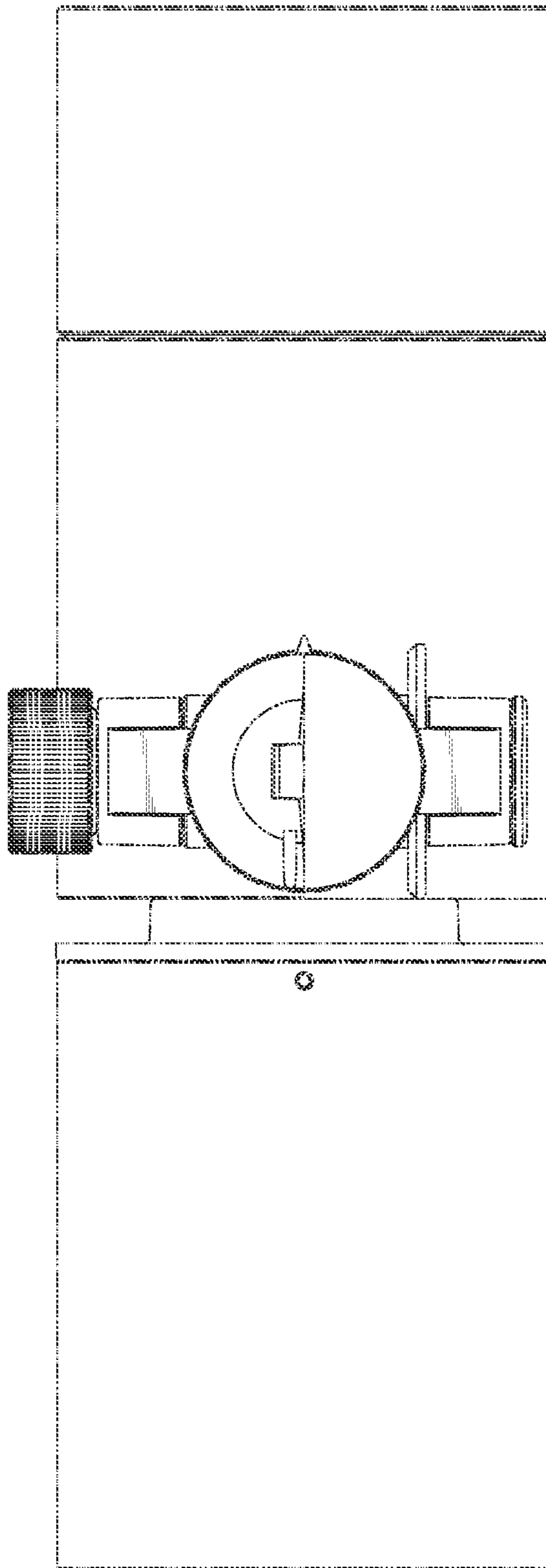


Fig. 8

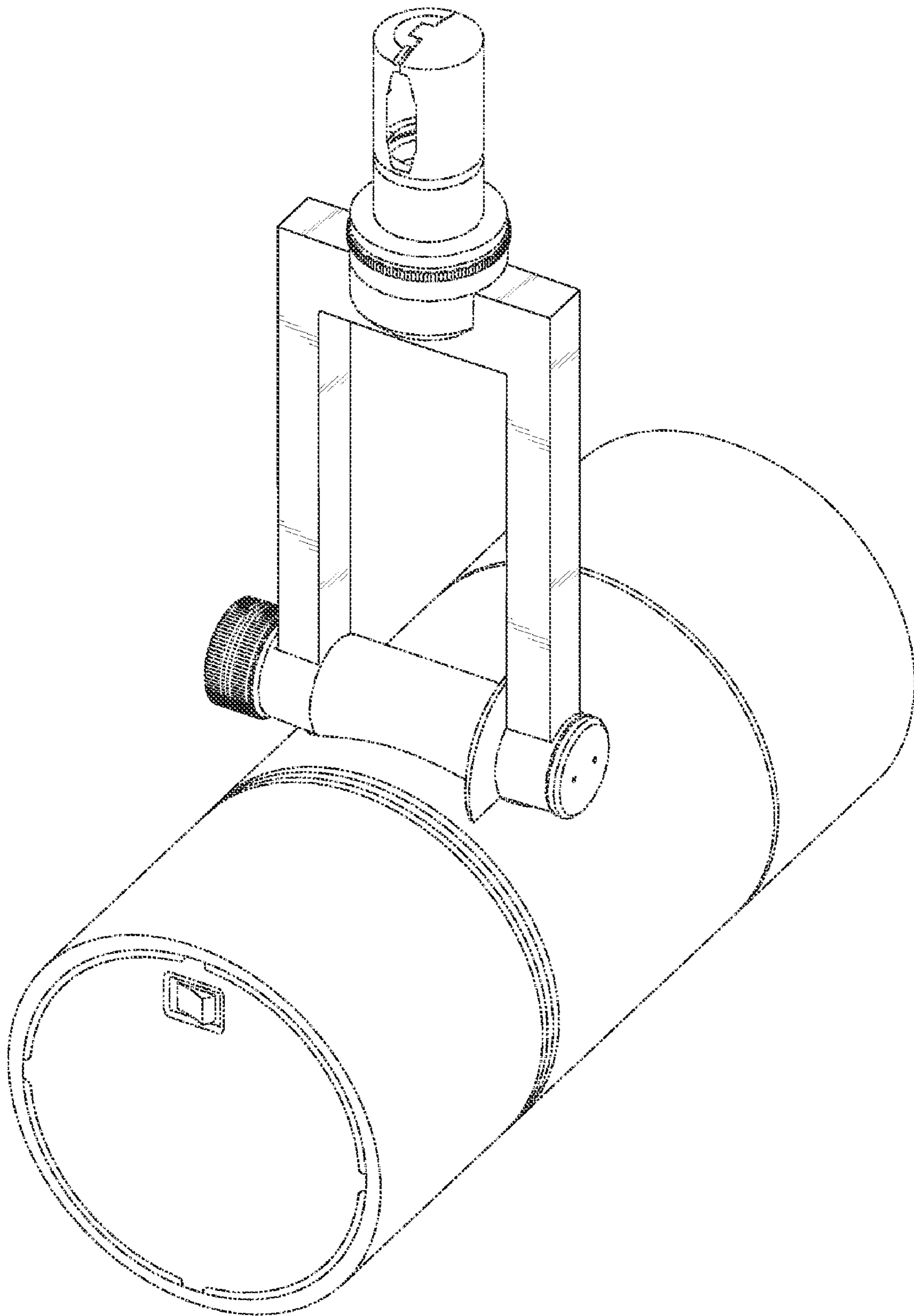


Fig. 9

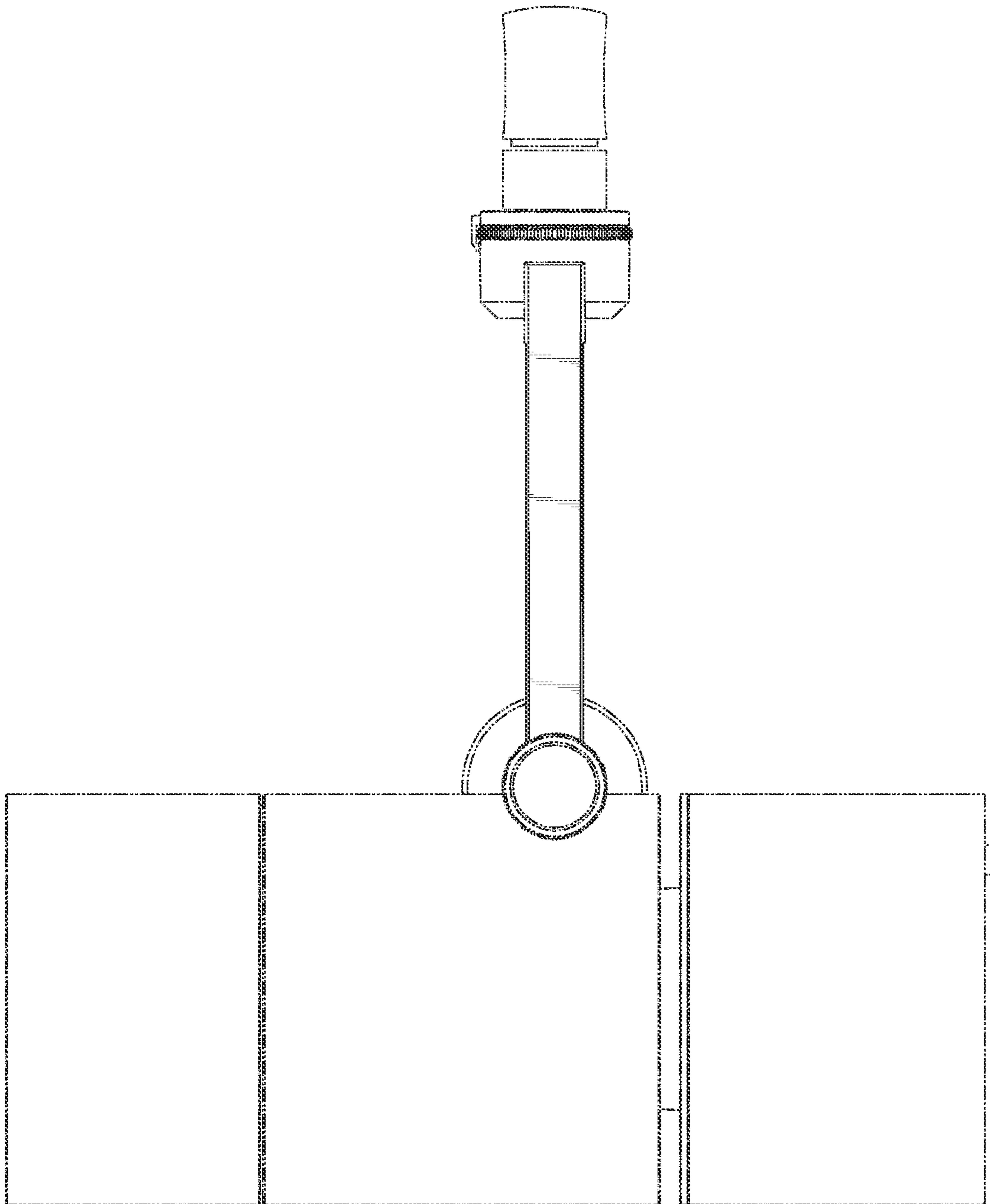


Fig. 10

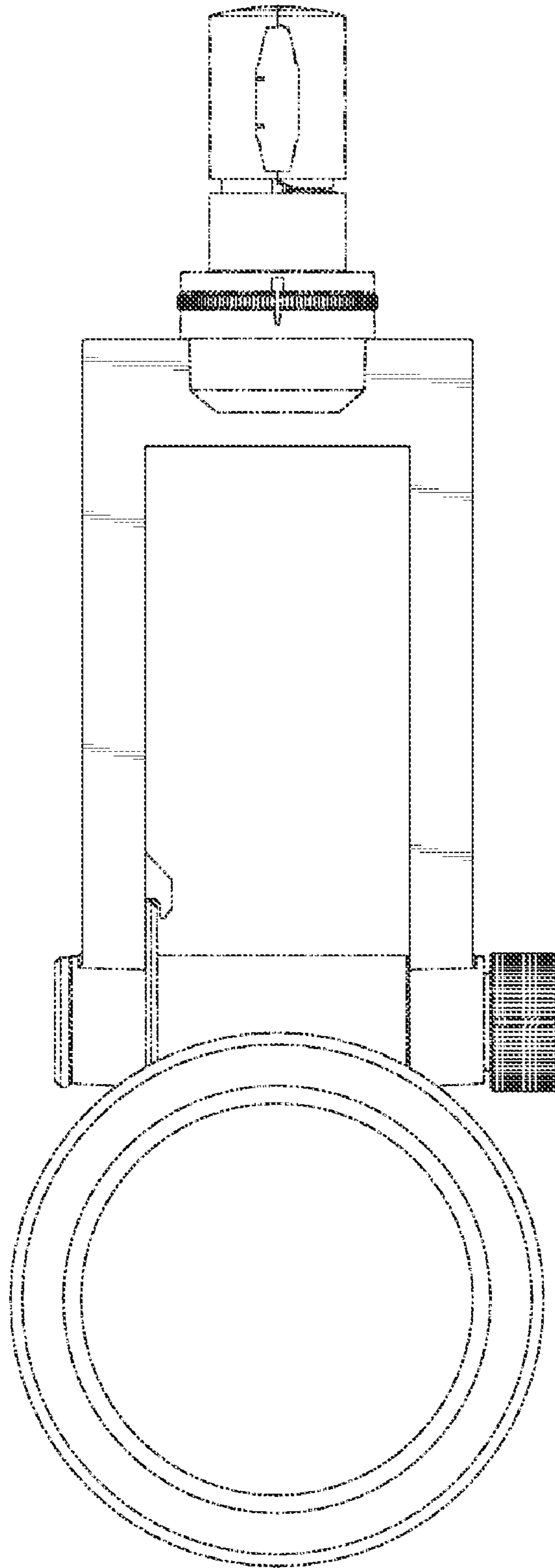


Fig. 11

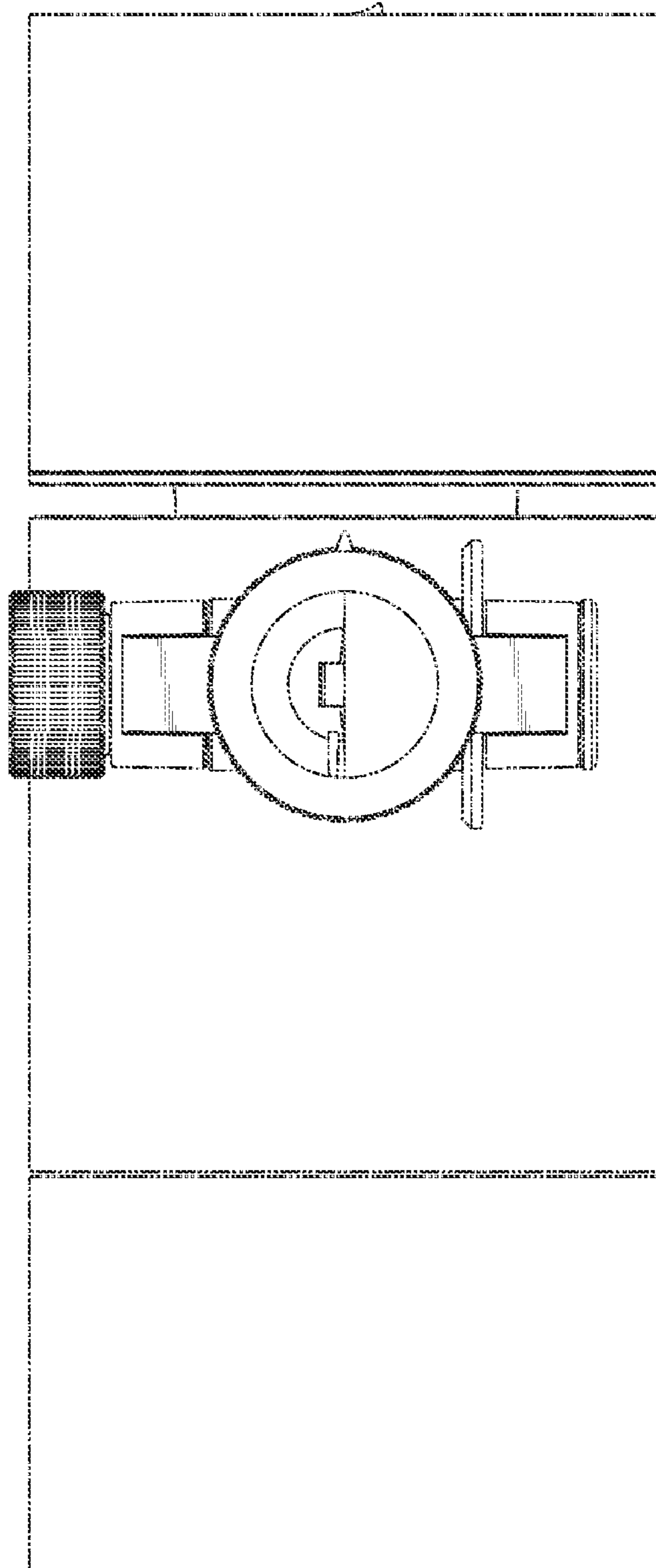


Fig. 12