



US00D560846S

(12) **United States Design Patent**
Levy et al.

(10) **Patent No.:** **US D560,846 S**
(45) **Date of Patent:** **** Jan. 29, 2008**

(54) **LAMP**

(75) Inventors: **Edward Levy**, Centennial, CO (US);
Campbell Levy, Centennial, CO (US)

(73) Assignee: **Campbell Levy Designs LLC**,
Centennial, CO (US)

(**) Term: **14 Years**

(21) Appl. No.: **29/248,709**

(22) Filed: **Aug. 29, 2006**

(51) **LOC (8) Cl.** **26-03**

(52) **U.S. Cl.** **D26/97**

(58) **Field of Classification Search** D26/51,
D26/57, 93-112, 142; D15/1, 5, 148; 123/197.3,
123/197.4; 384/429-432, 250, 457; 362/410-414,
362/253, 806

See application file for complete search history.

(56) **References Cited**

U.S. PATENT DOCUMENTS

D81,267 S * 5/1930 Thurber et al. D26/63

(Continued)

OTHER PUBLICATIONS

Non-final Office Action of related U.S. Appl. No. 29/247,350, Dec. 5, 2006, 18 pages.

Non-final Office Action of related U.S. Appl. No. 29/247,350, May 21, 2007, 7 pages.

Crankshaft Lamp, eBay product No. 6166294093, retrieved on Oct. 17, 2006 by the Examiner of U.S. Appl. No. 29/247,350, 7 pages.

Motor Trend Sep. 2004, Heavy Metal Crank Lamp, p. 145, TLI M925, 2 pages.

www.campbelllevydesign.com, believed to be in existence since Dec. 2005, 4 pages.

(Continued)

Primary Examiner—Cathron Brooks

Assistant Examiner—Linda Brooks

(74) *Attorney, Agent, or Firm*—Sheridan Ross P.C.

(57) **CLAIM**

The ornamental design for a lamp, as shown and described.

DESCRIPTION

FIG. 1 is a perspective view of a lamp showing our new design, the broken lines showing environment for illustrative purposes only and forming no part of the claimed design;

FIG. 2 is a bottom plan view of the design illustrated in FIG. 1;

FIG. 3 is a top plan view of the design illustrated in FIG. 1;

FIG. 4 is a front elevation view of the design illustrated in FIG. 1;

FIG. 5 is a right elevation view of the design illustrated in FIG. 1;

FIG. 6 is a rear elevation view of the design illustrated in FIG. 1;

FIG. 7 is a left elevation view of the design illustrated in FIG. 1;

FIG. 8 is a perspective view of a first alternative embodiment of the design illustrated in FIG. 1, the only distinction being the addition of a shade, it being understood that all other surfaces are the same as those in the first embodiment, the broken lines showing environment for illustrative purposes only and forming no part of the claimed design;

FIG. 9 is a bottom plan view of the design illustrated in FIG. 8;

FIG. 10 is a top plan view of the design illustrated in FIG. 8;

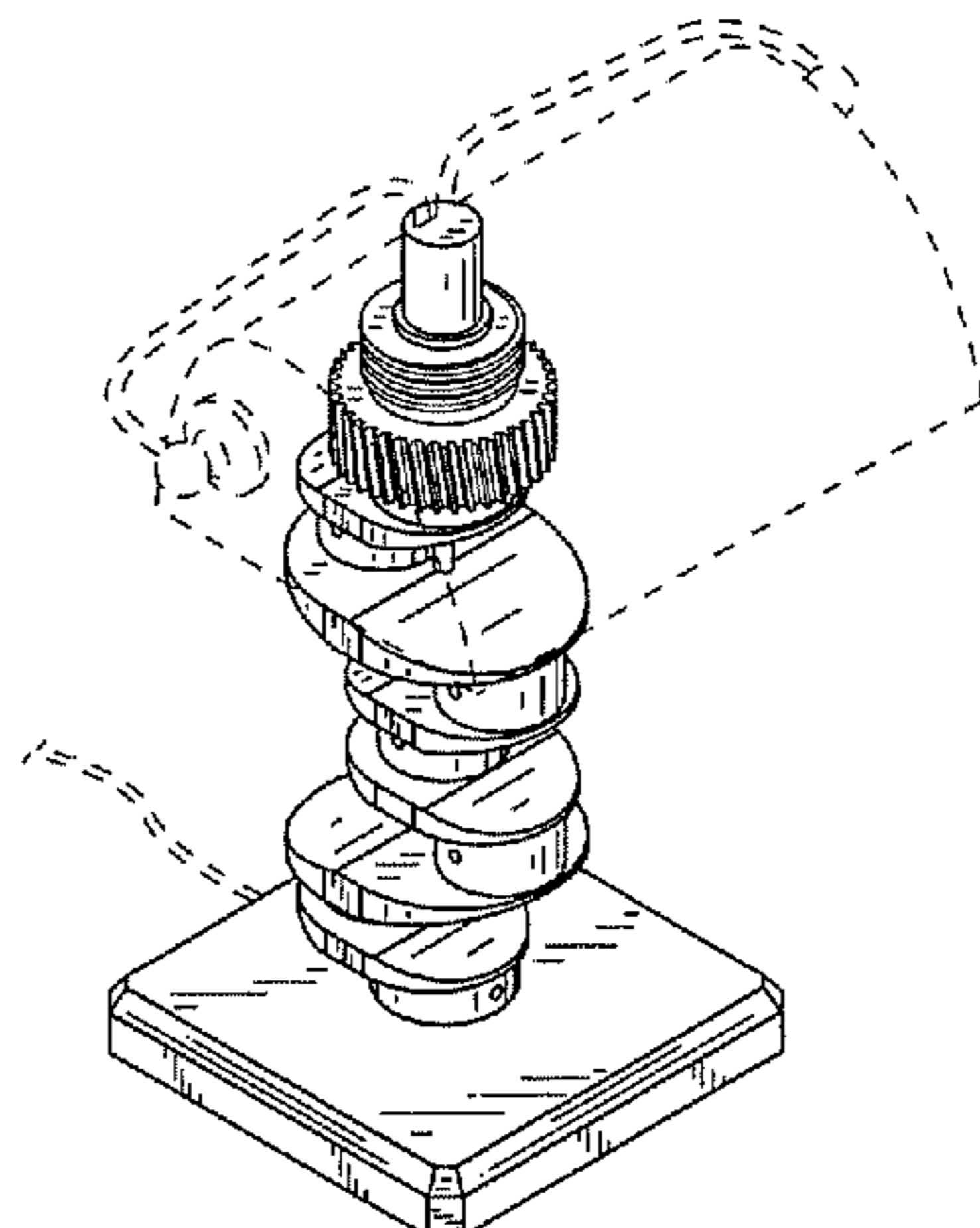
FIG. 11 is a front elevation view of the design illustrated in FIG. 8;

FIG. 12 is a right elevation view of the design illustrated in FIG. 8;

FIG. 13 is a rear elevation view of the design illustrated in FIG. 8; and,

FIG. 14 is a left elevation view of the design illustrated in FIG. 8.

1 Claim, 4 Drawing Sheets



US D560,846 S

Page 2

U.S. PATENT DOCUMENTS

D81,517 S * 7/1930 Anderson D26/63
2,109,083 A 2/1938 Campbell
D118,161 S * 12/1939 Krueger D26/109
D166,951 S * 6/1952 Christy D26/109
3,113,732 A 12/1963 Chilo
D317,770 S 6/1991 Burke
D354,370 S * 1/1995 Stromberg D26/109
D450,878 S * 11/2001 Dolan D26/109
D468,854 S 1/2003 Chen

D500,572 S 1/2005 Linder
D508,142 S 8/2005 Lizarraga
7,021,268 B1 4/2006 Fuoss
2007/0153534 A1* 7/2007 Levy et al. 362/414

OTHER PUBLICATIONS

Digital image of a Porsche 356 Crankshaft; 1 page.
www.inparticular.com Website, website in existence Apr. 31, 2001,
4 pages.

* cited by examiner

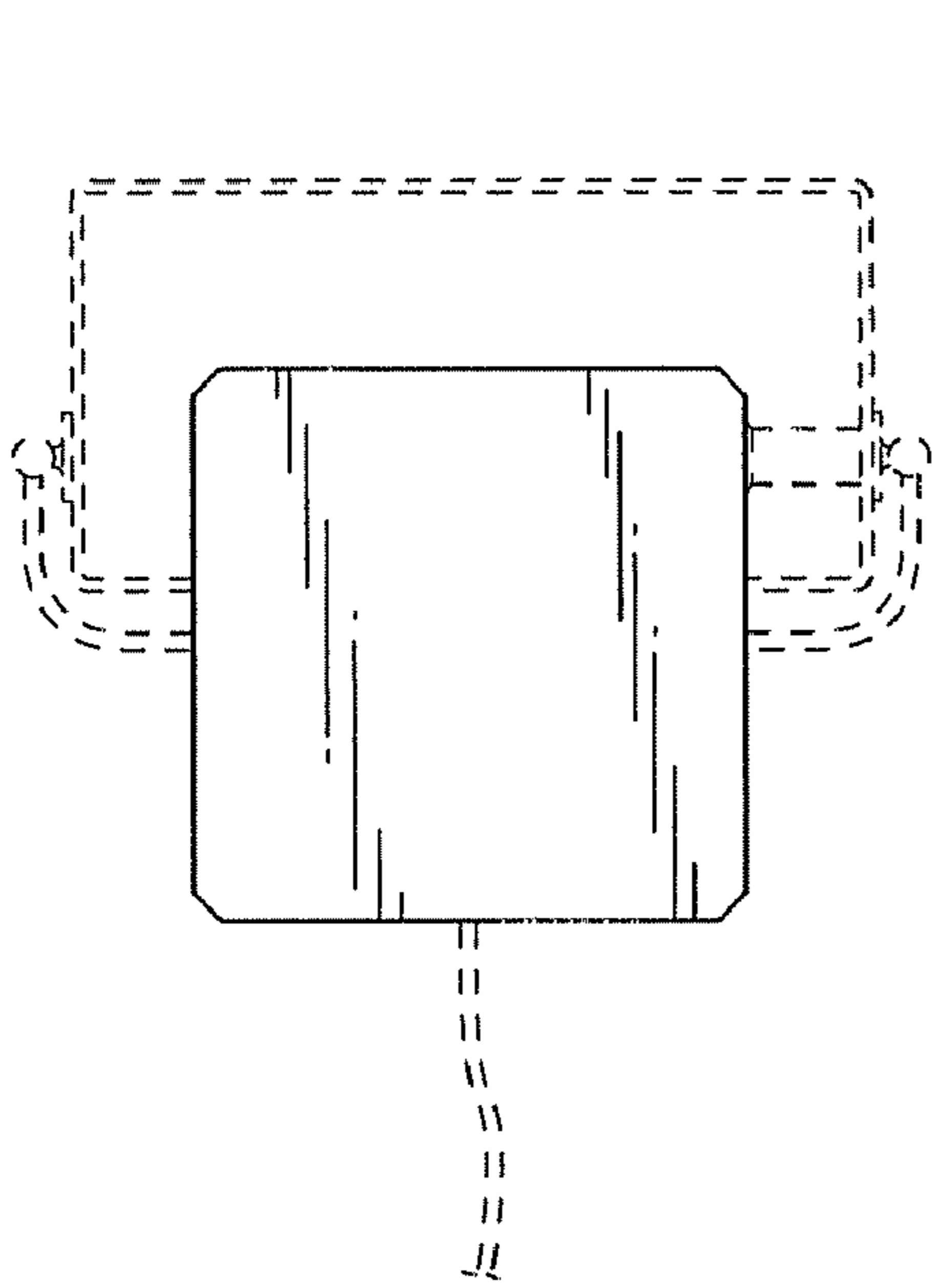


FIG. 2

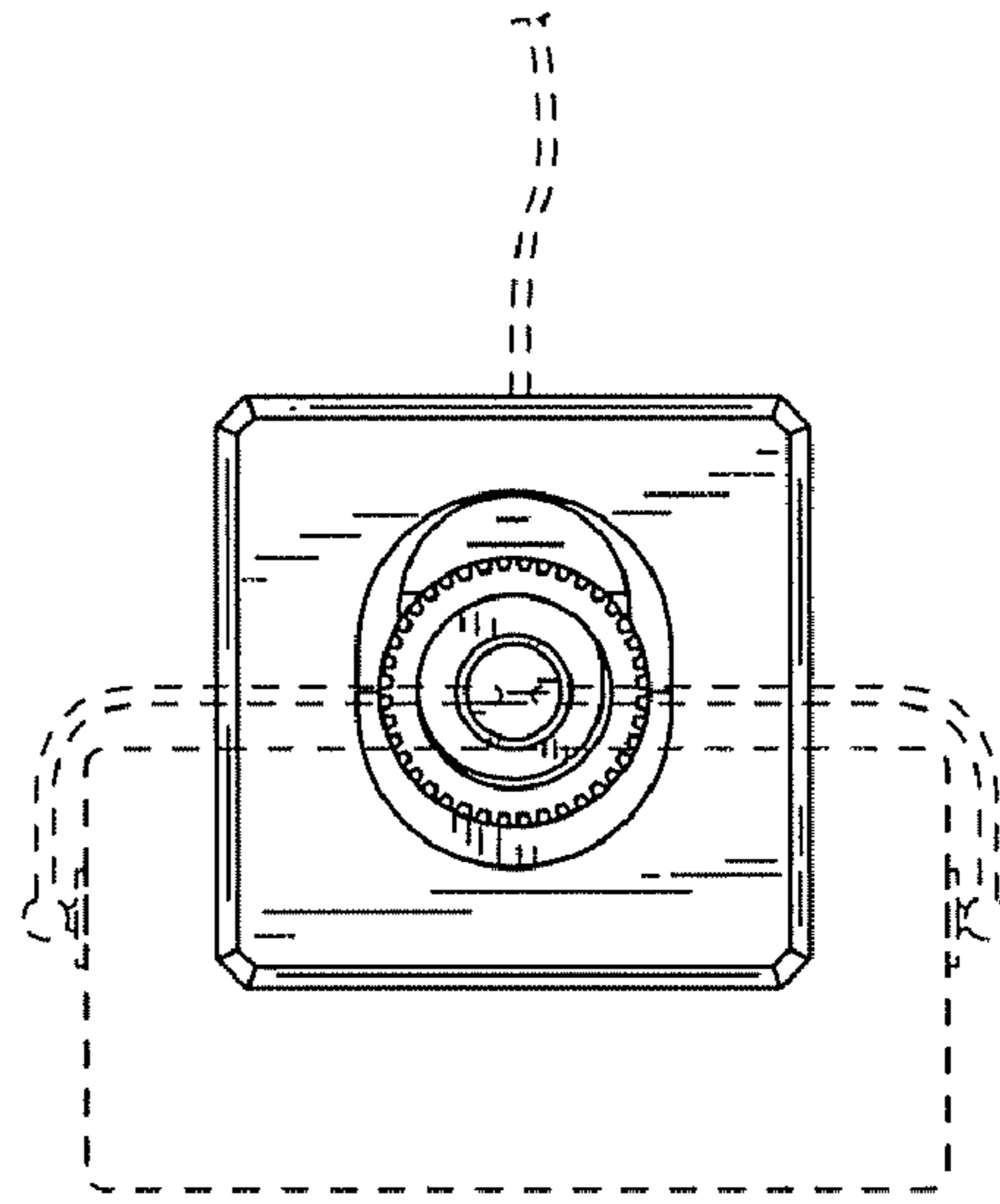


FIG. 3

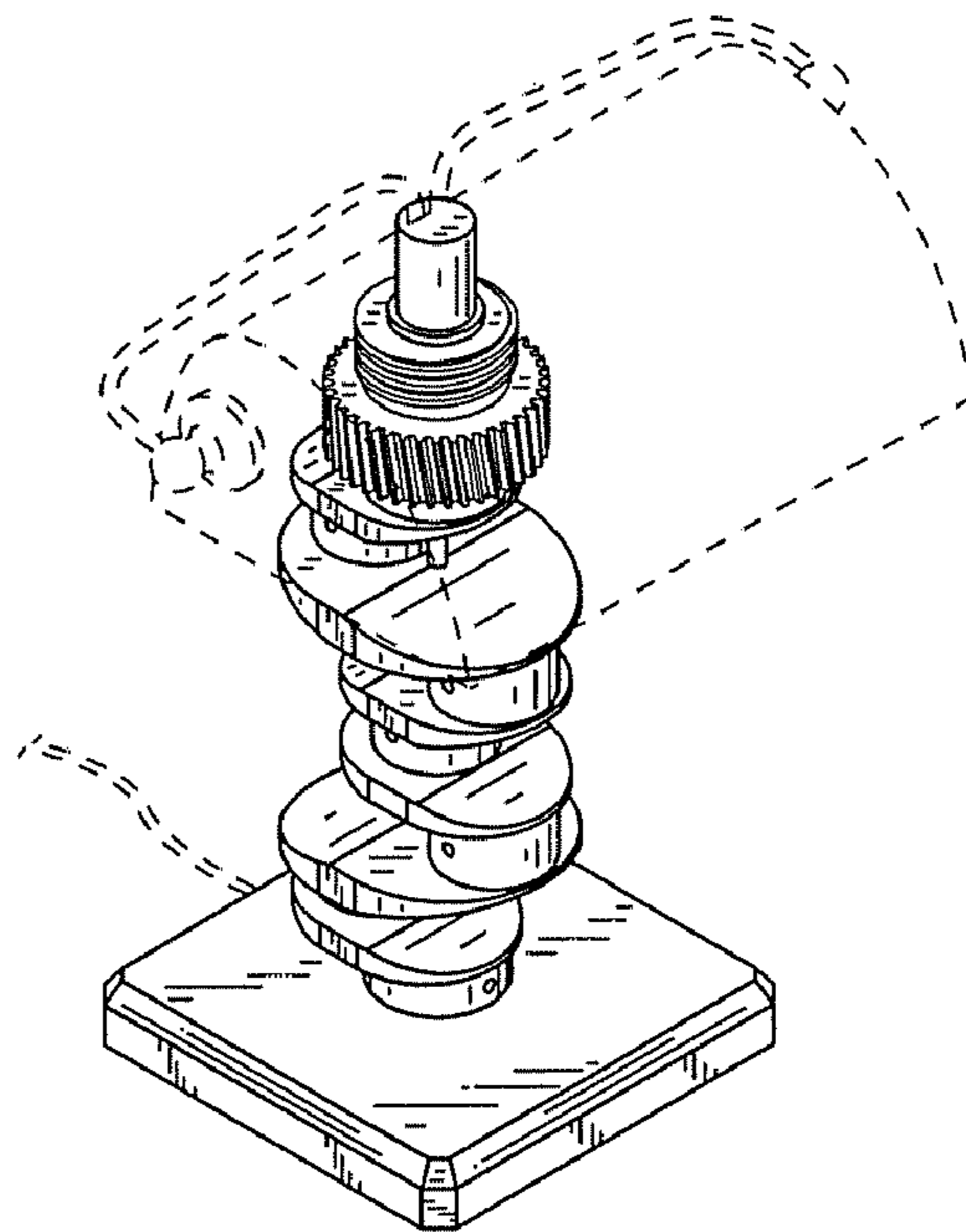


FIG. 1

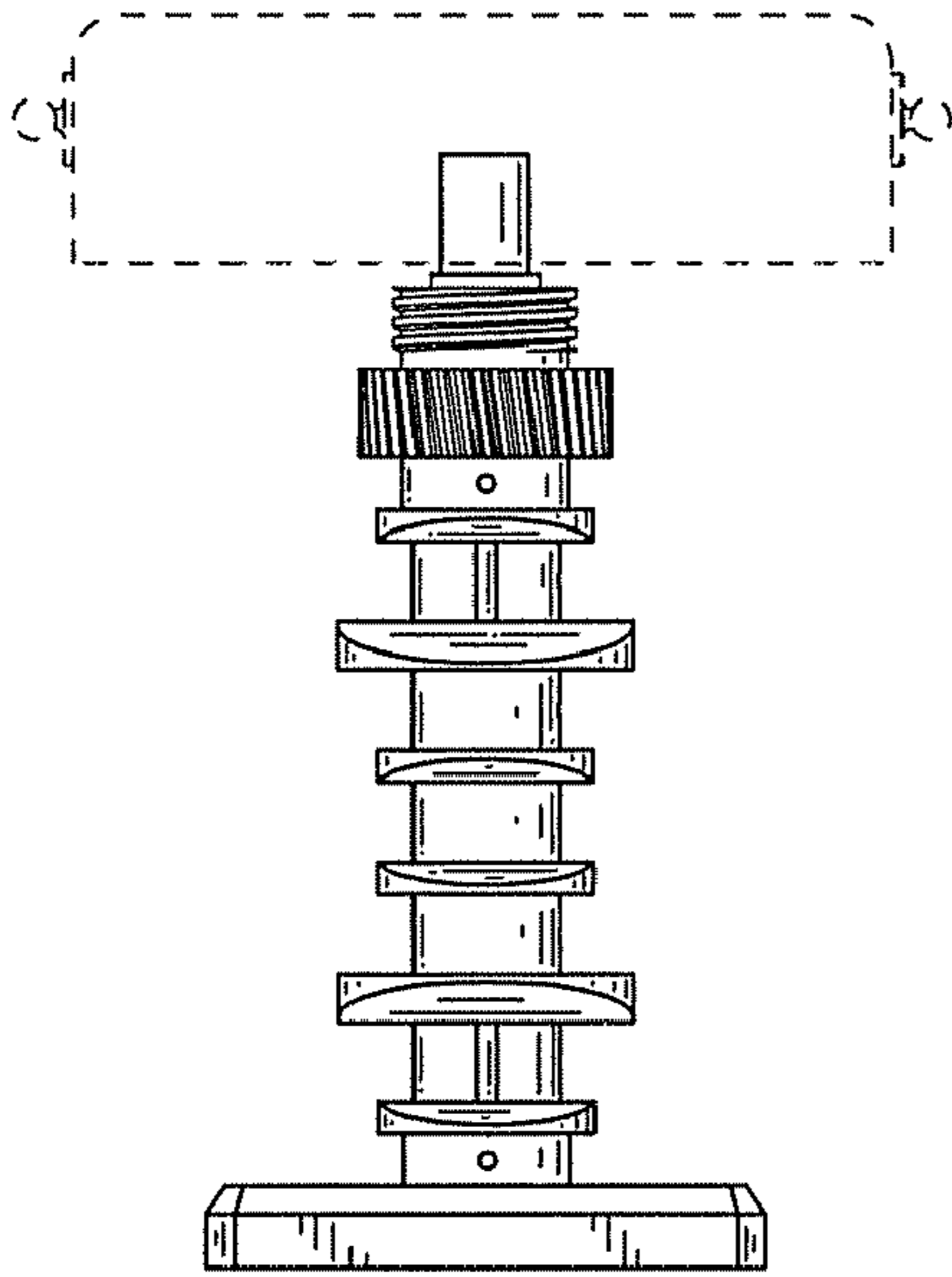


FIG. 4

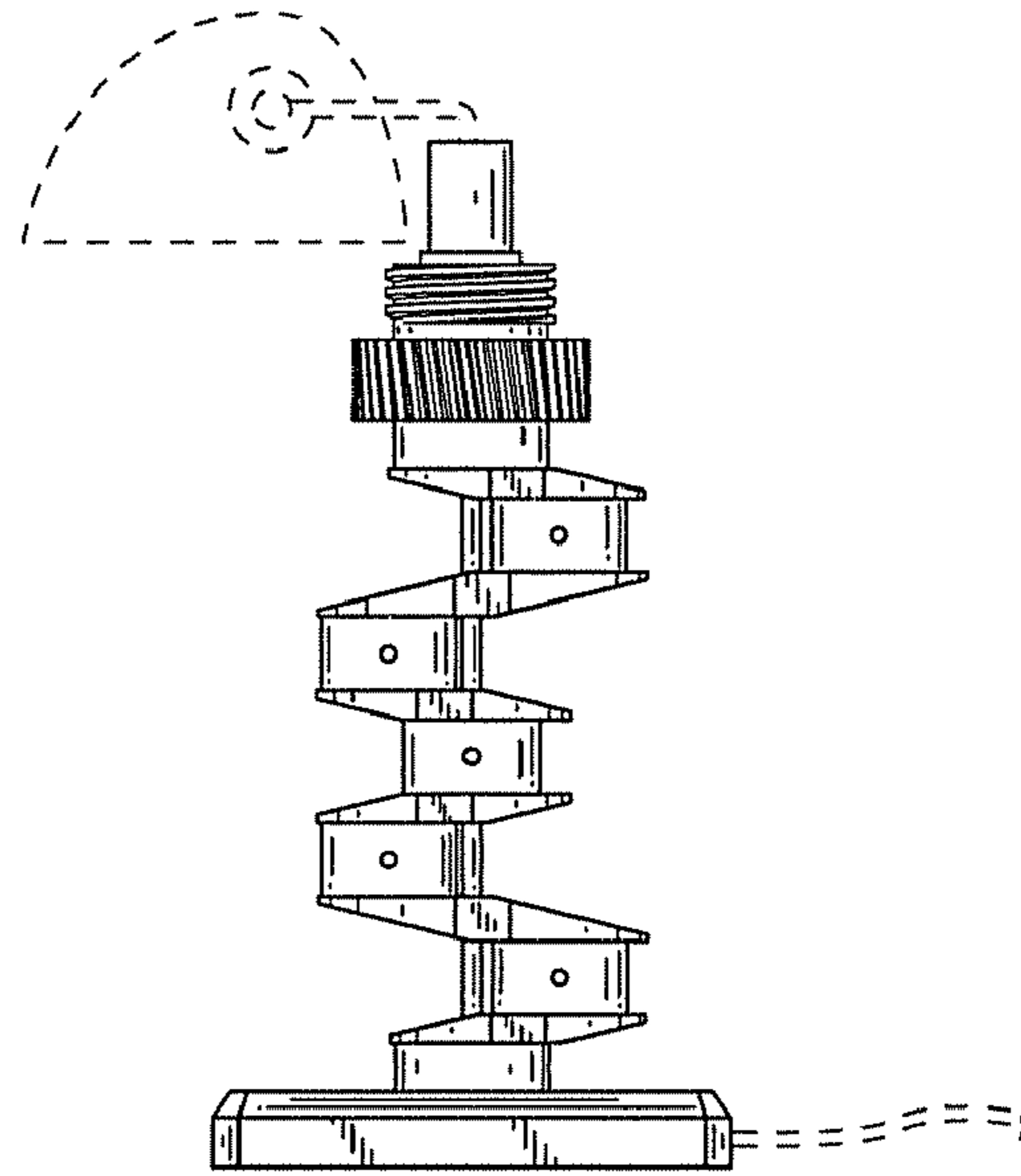


FIG. 5

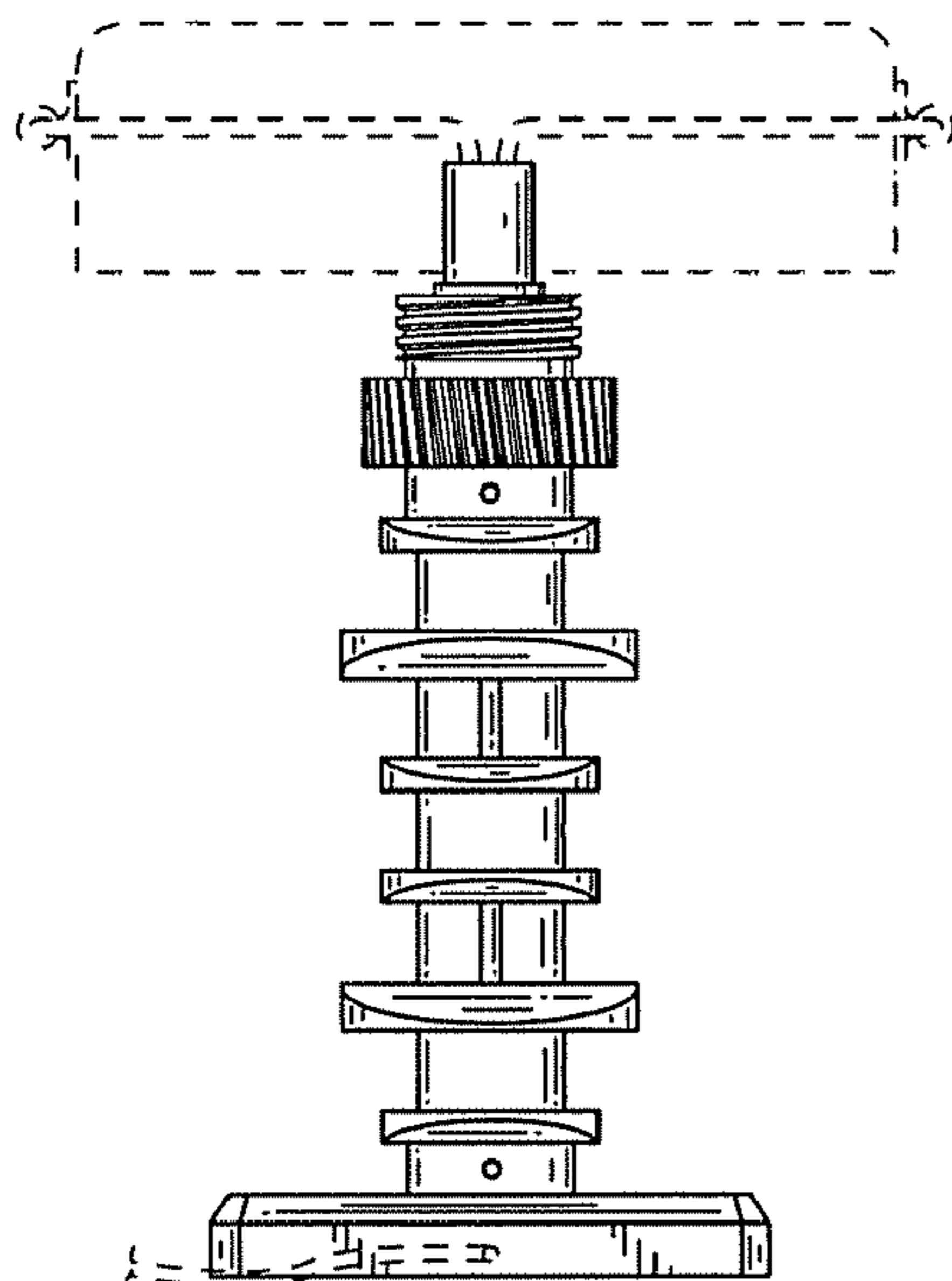


FIG. 6

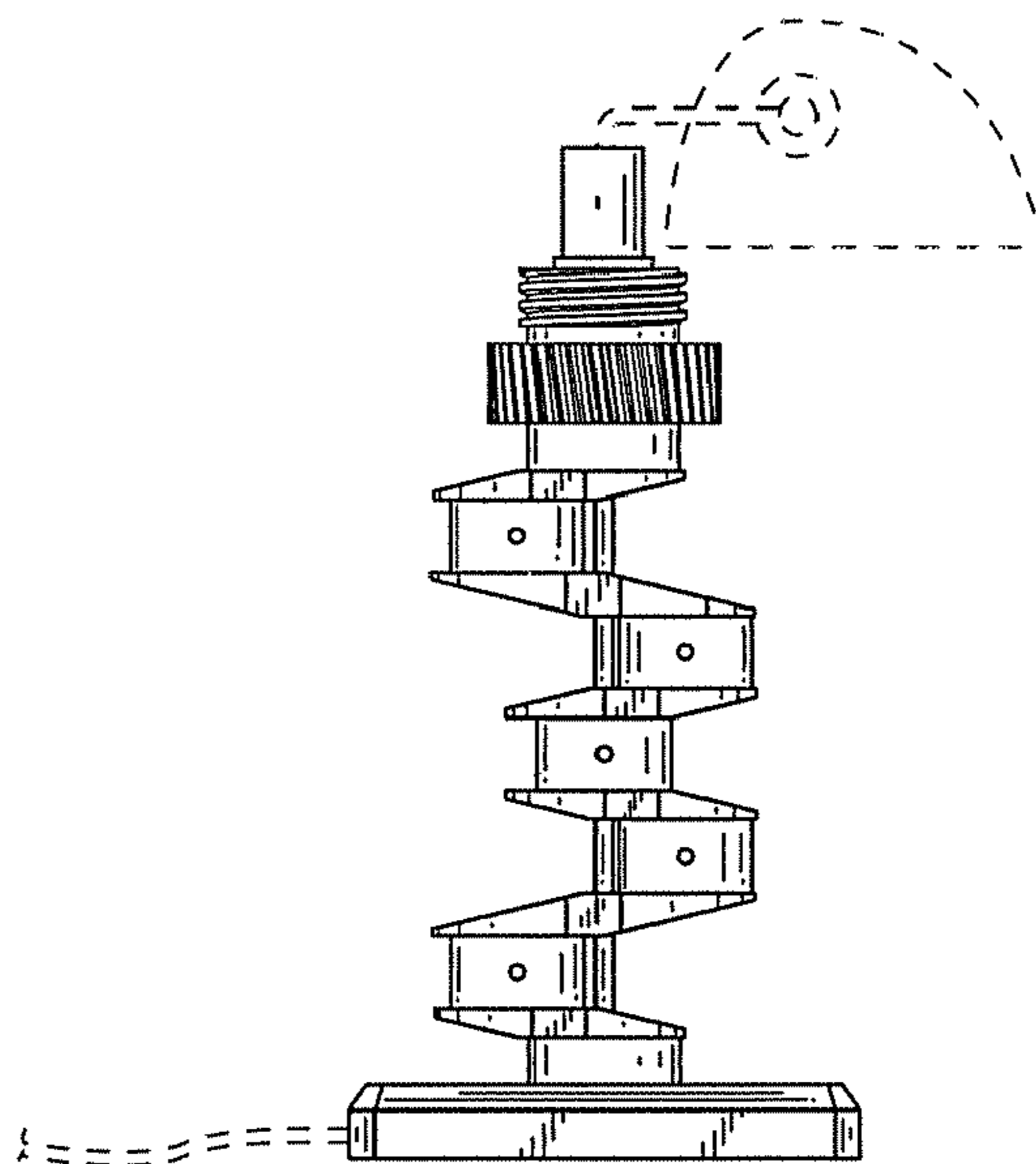


FIG. 7

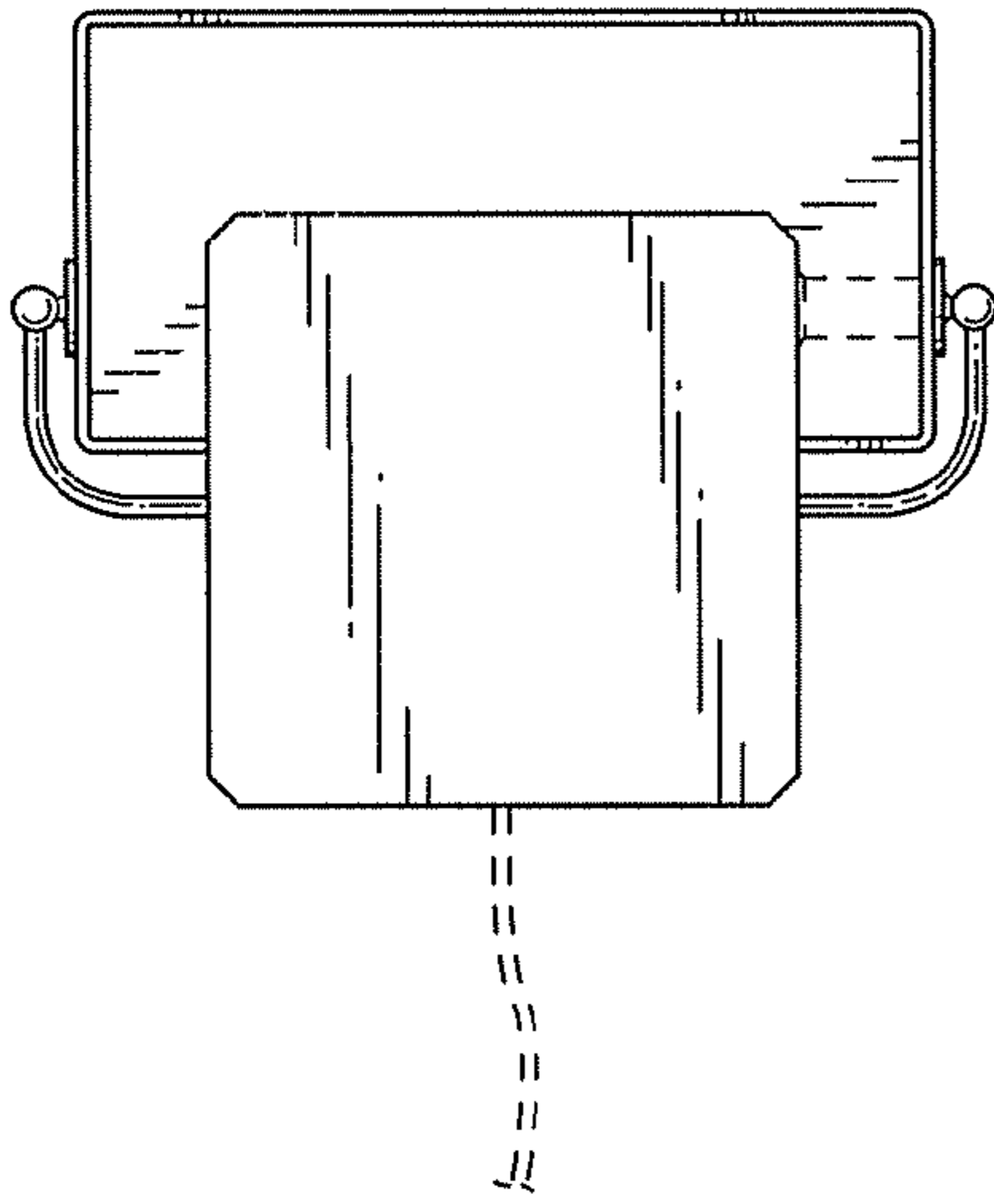


FIG. 9

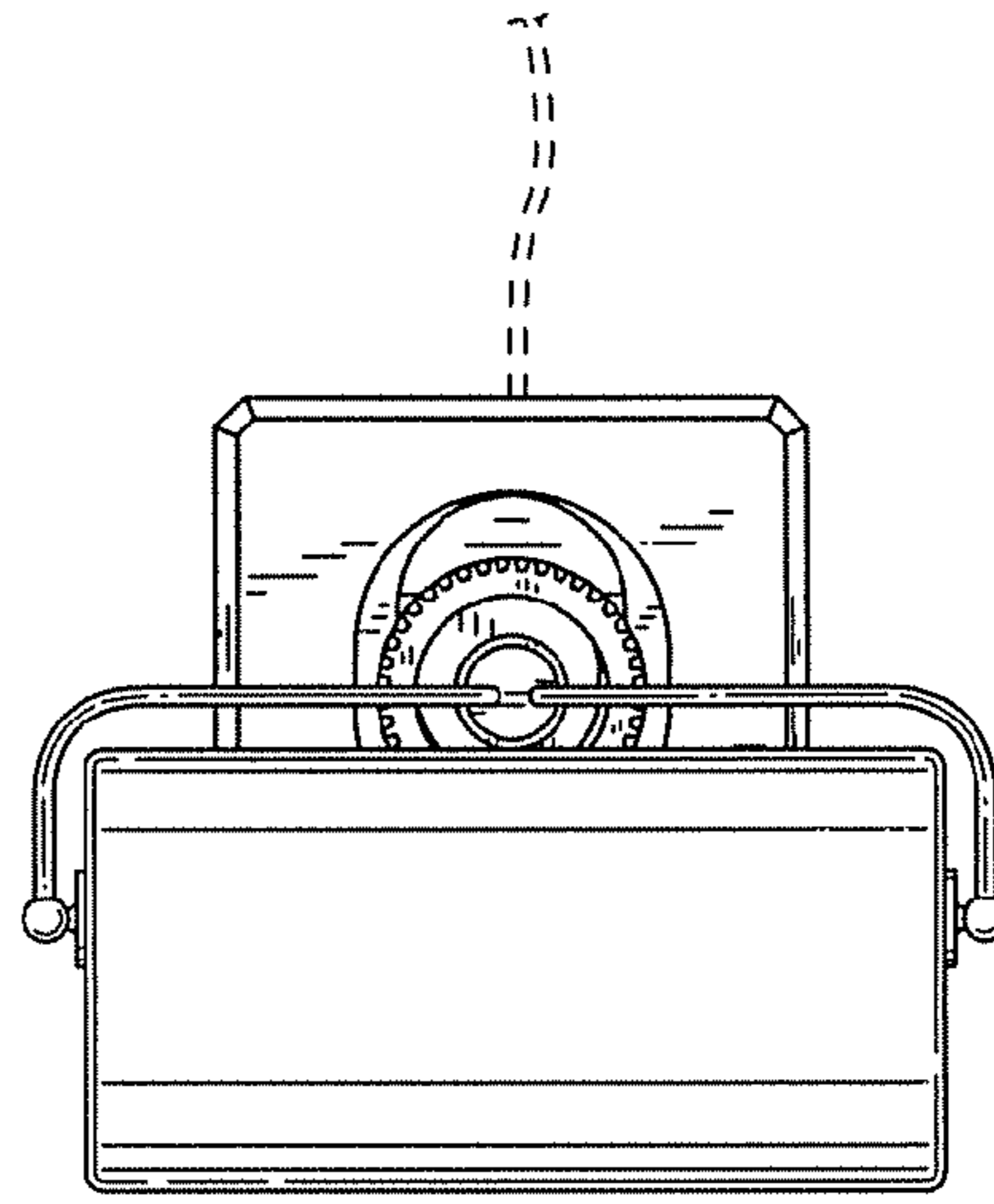


FIG. 10

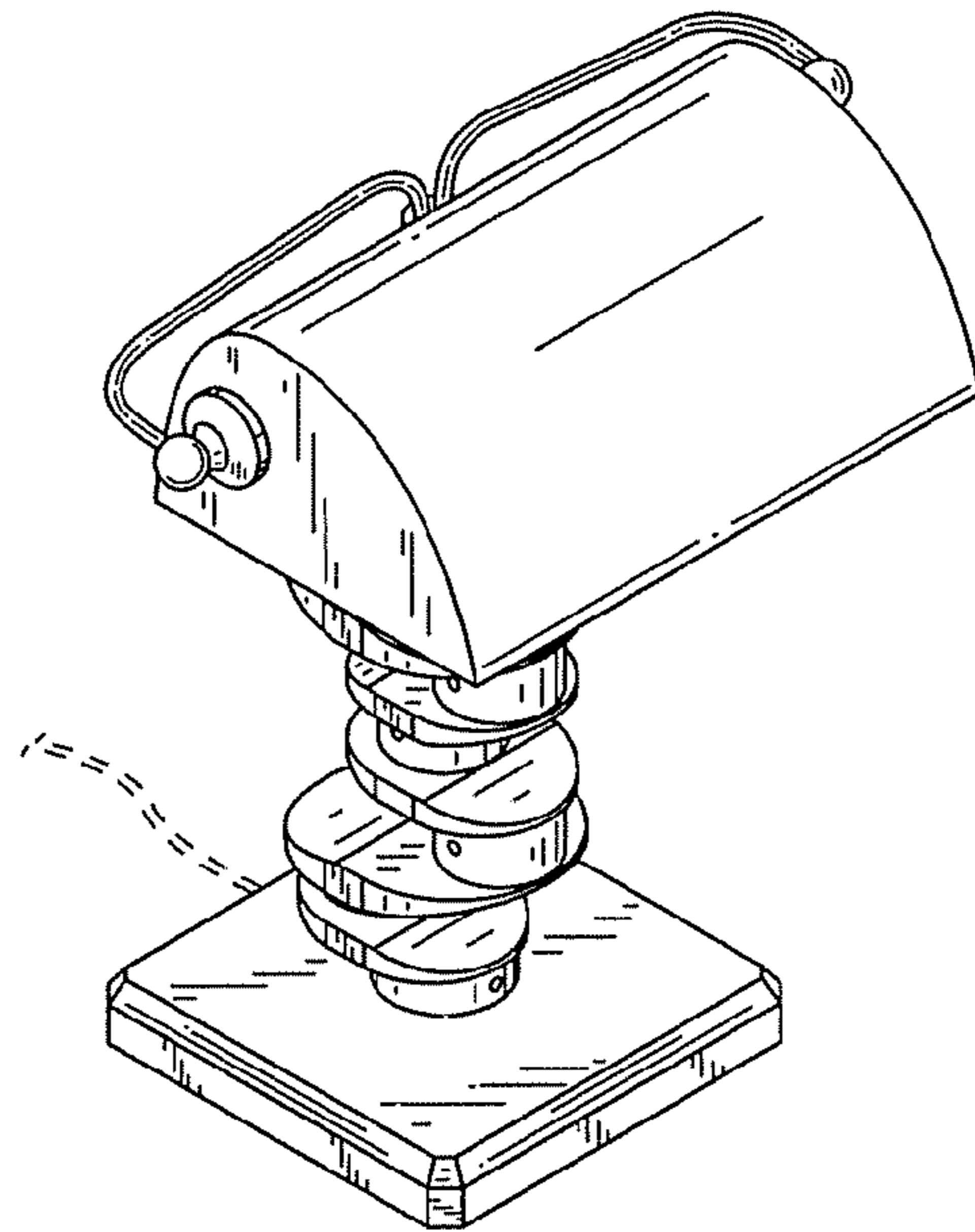


FIG. 8

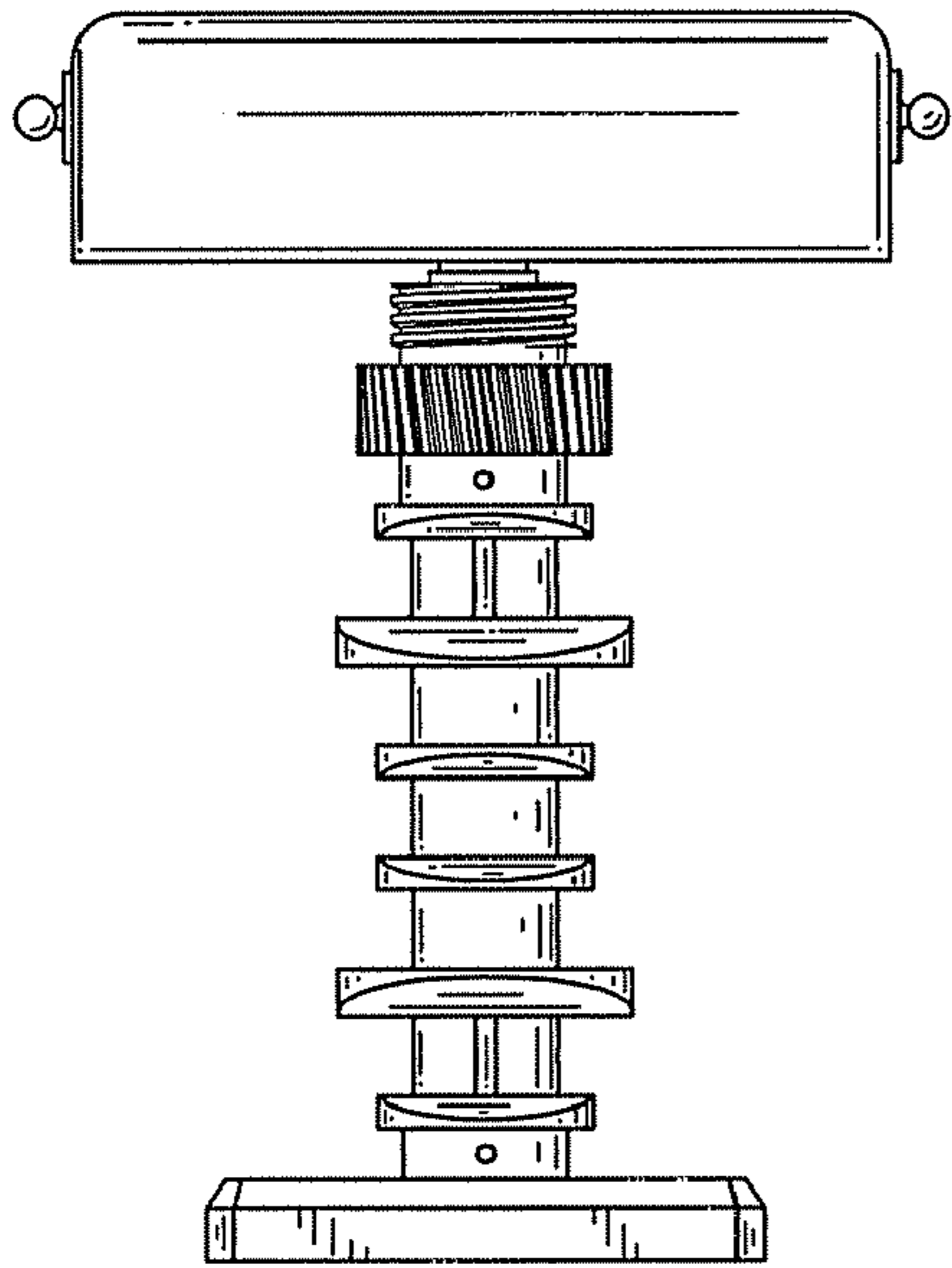


FIG. 11

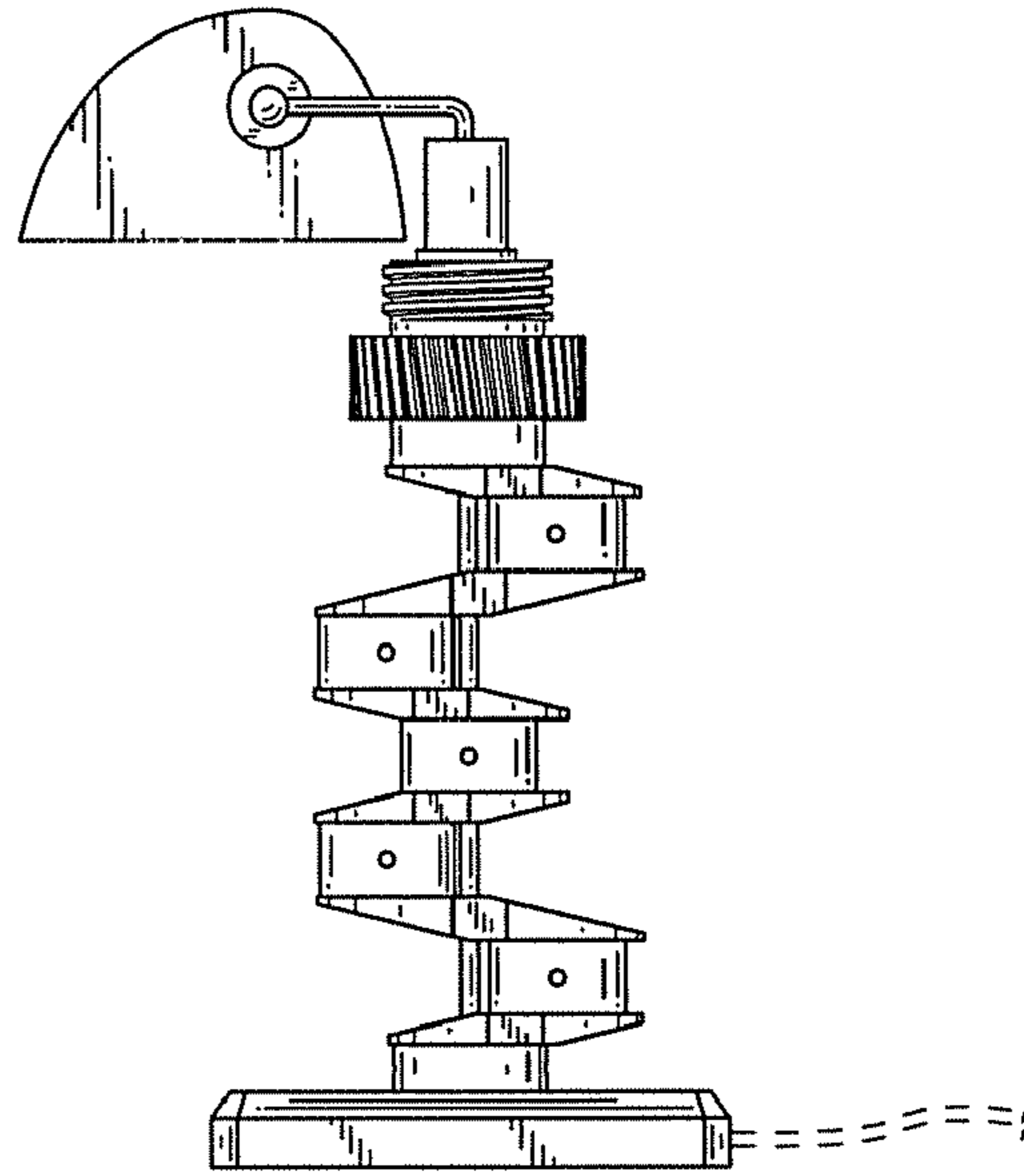


FIG. 12

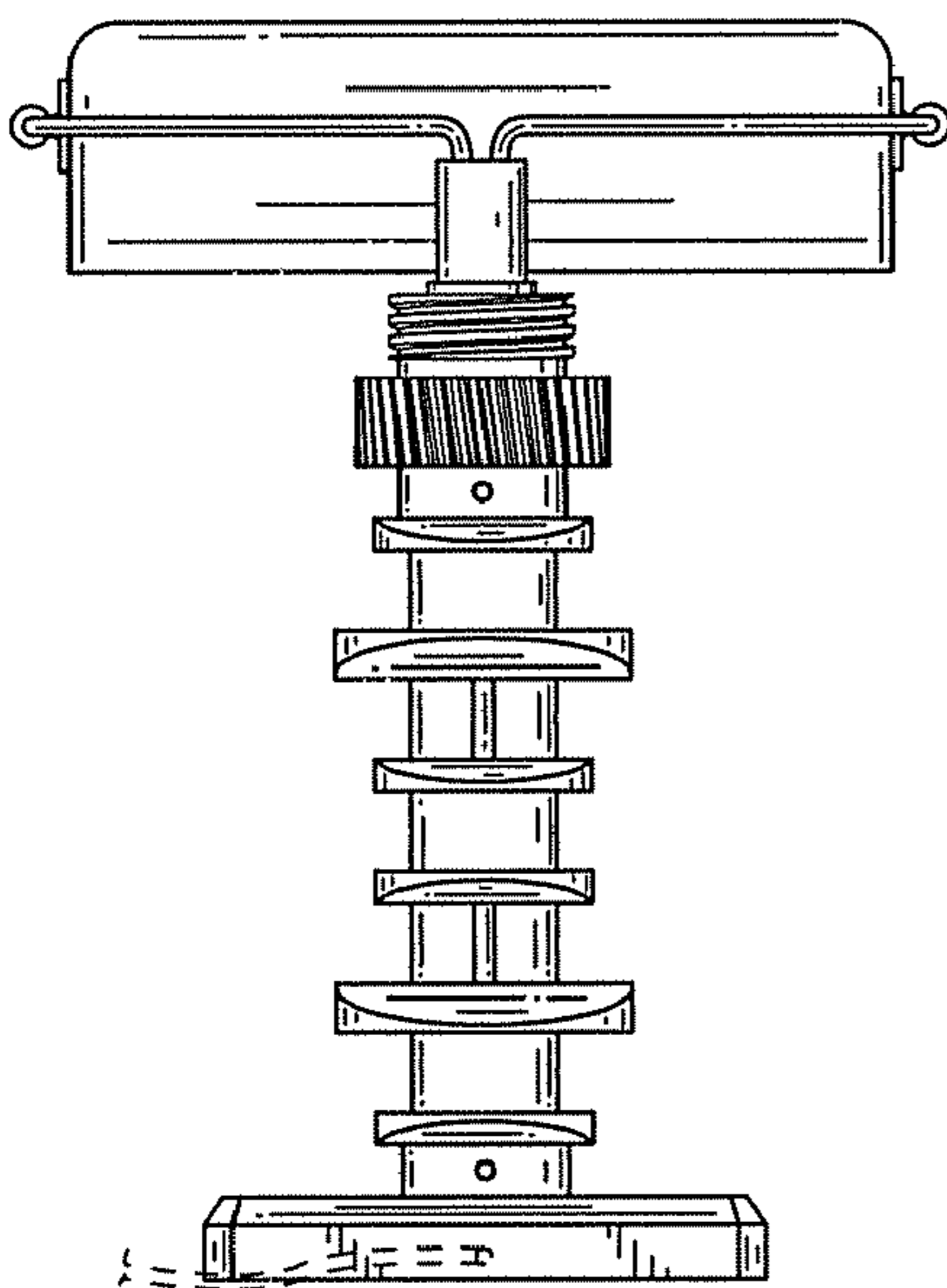


FIG. 13

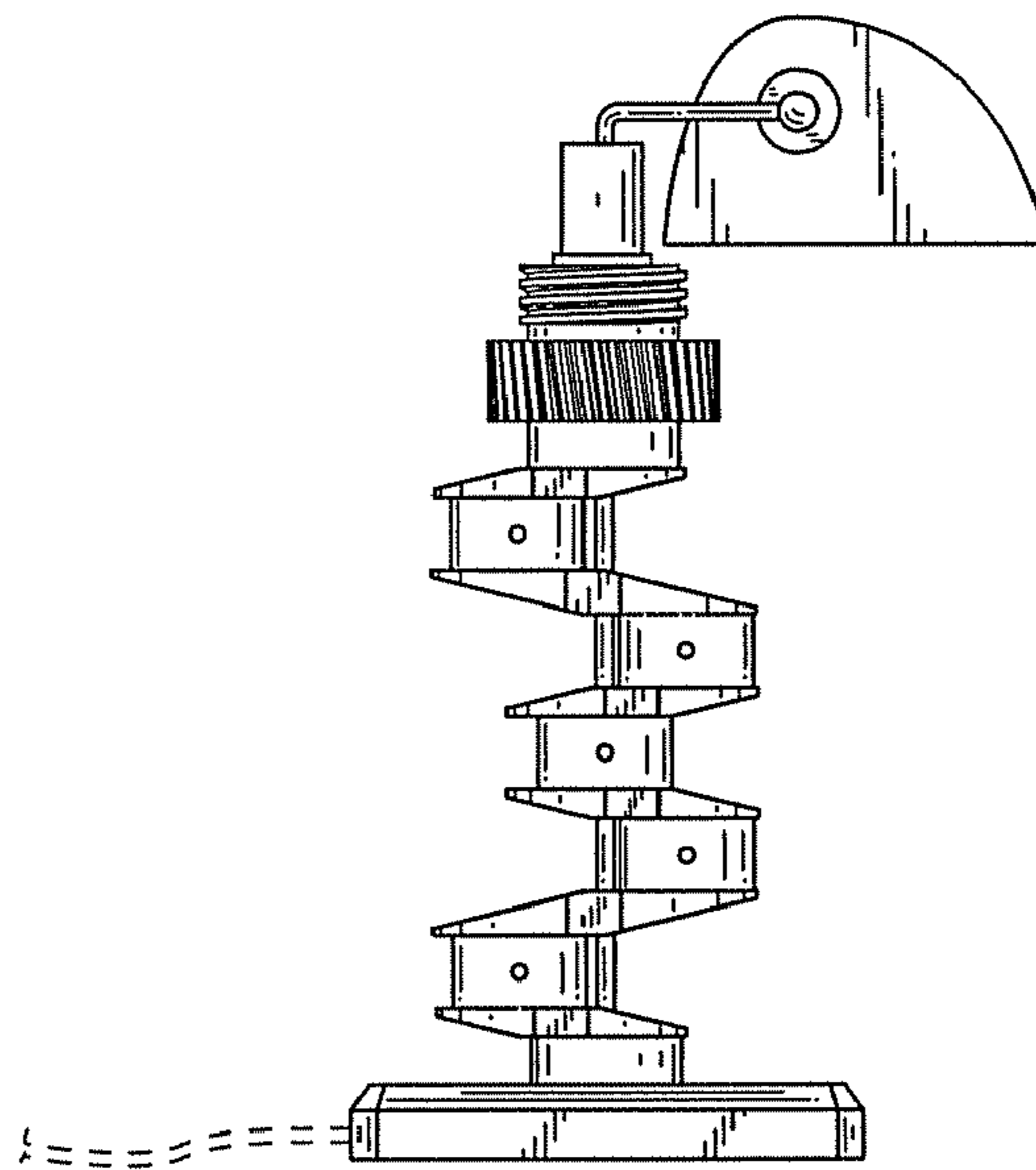


FIG. 14