

US00D560842S

(12) **United States Design Patent**
Starck

(10) **Patent No.:** **US D560,842 S**
(45) **Date of Patent:** **** Jan. 29, 2008**

(54) **LAMP**
(75) Inventor: **Philippe Starck**, Wii London (GB)
(73) Assignee: **FLOS S.p.A.**, (Brescia) (IT)
(**) Term: **14 Years**
(21) Appl. No.: **29/239,921**
(22) Filed: **Oct. 6, 2005**
(30) **Foreign Application Priority Data**
Apr. 11, 2005 (EM) 000322094-0006

5,010,676 A * 4/1991 Kennedy 42/71.01
5,173,564 A * 12/1992 Hammond, Jr. 42/75.03
D356,180 S * 3/1995 Benghozi D26/110
5,522,167 A * 6/1996 Teetzel 42/117
5,628,555 A * 5/1997 Sharrah et al. 362/114
5,758,448 A * 6/1998 Thummel 42/114
6,598,329 B1 * 7/2003 Alexander 42/71.01
D505,475 S * 5/2005 Salva D22/104
D531,255 S * 10/2006 Garrett et al. D22/103
2002/0100204 A1 * 8/2002 Kim 42/146
2003/0007347 A1 * 1/2003 Huang et al. 362/806
2004/0107621 A1 * 6/2004 Segalle 42/71.02
2005/0268513 A1 * 12/2005 Battaglia 42/71.01
2005/0279004 A1 * 12/2005 Woodmansee et al. 42/146

(51) **LOC (8) Cl.** **26-03**
(52) **U.S. Cl.** **D26/94**
(58) **Field of Classification Search** D26/93-112;
362/410-414, 253, 110-114, 153; 42/1.02,
42/7.5, 22, 37, 40, 65, 70.11, 74, 71.02, 114,
42/75.03, 117, 103, 146, 71.01, 72, 73, 75.04,
42/76.01; D22/100, 101, 103-105; D6/399
See application file for complete search history.

OTHER PUBLICATIONS

AK-47 Assault Rifle as shown and described, used as of 1949.
Source: Kalashnikov Arms Catalog, © Military Parade JSC, 1997.
[Retrieved on Apr. 11, 2007]. Retrieved from the Internet <URL:
<http://kalashnikov.guns.ru/models/ka50.html>>.*

* cited by examiner

Primary Examiner—Cathron Brooks
Assistant Examiner—Linda Brooks
(74) *Attorney, Agent, or Firm*—McGlew and Tuttle, P.C.

(56) **References Cited**
U.S. PATENT DOCUMENTS

D120,554 S * 5/1940 Lynch D26/94
D163,813 S * 7/1951 Moss et al. D26/94
D169,965 S * 7/1953 Cassell D26/94
2,701,300 A * 2/1955 Rubin 362/253
2,780,145 A * 2/1957 Saive 42/75.03
2,984,724 A * 5/1961 Merz D26/94 X
D192,440 S * 3/1962 Green D26/94
D194,062 S * 11/1962 Winter D26/94 X
D202,375 S * 9/1965 Taylor D10/112
3,543,428 A * 12/1970 Bronson 42/71.01
4,115,943 A * 9/1978 Musgrave 42/90
4,601,123 A * 7/1986 Swearengen et al. 42/72
4,736,278 A * 4/1988 Wolens et al. 362/35

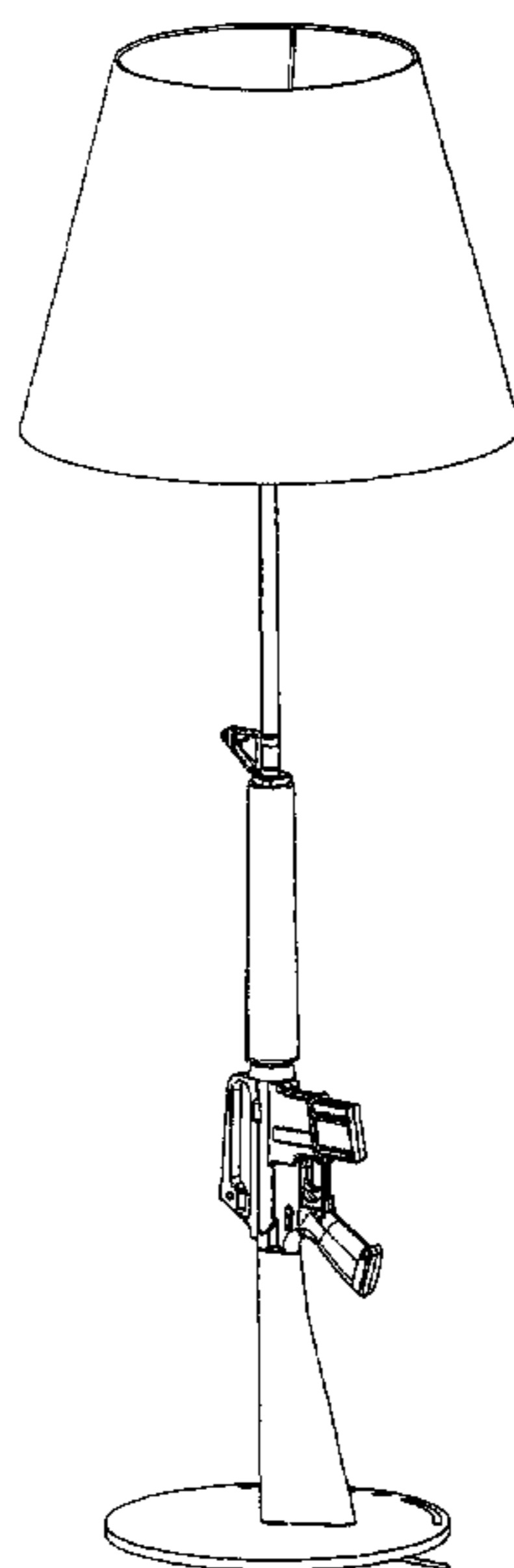
(57) **CLAIM**

The ornamental design for a lamp, as shown and described.

DESCRIPTION

FIG. 1 is a perspective view of my new lamp design;
FIG. 2 is a front elevation view thereof;
FIG. 3 is a view from one side thereof;
FIG. 4 is a view from opposite side thereof;
FIG. 5 is a bottom view thereof; and,
FIG. 6 is a top view thereof.

1 Claim, 4 Drawing Sheets



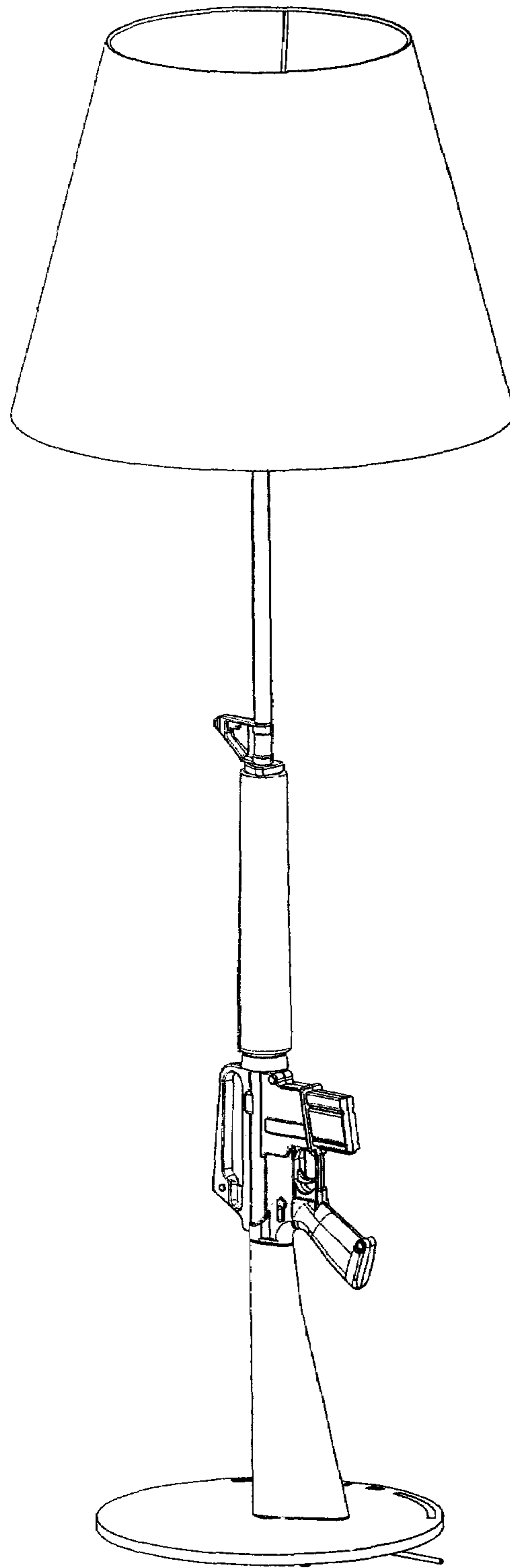


FIG. 1

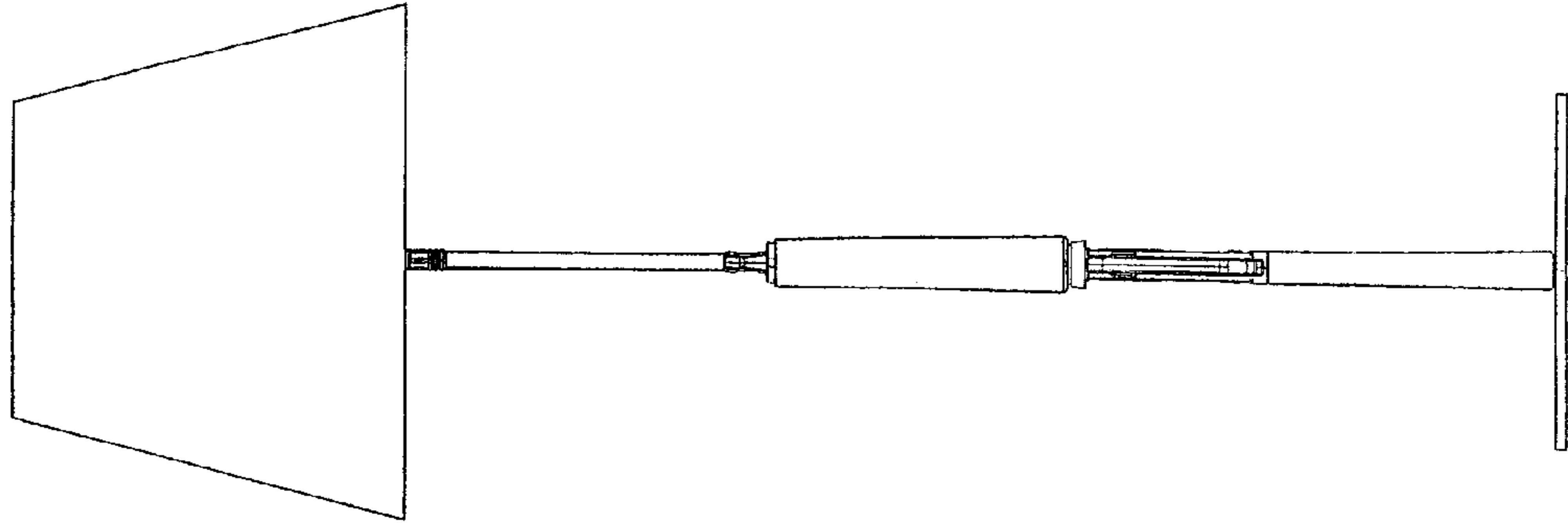


FIG. 4

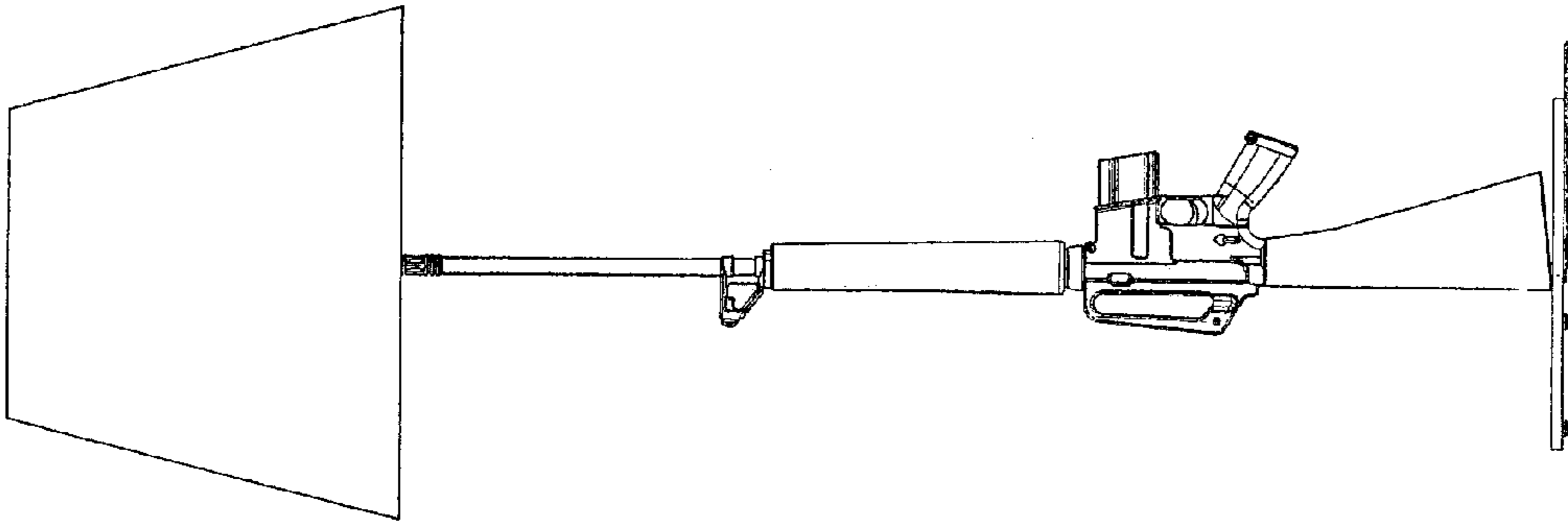


FIG. 2

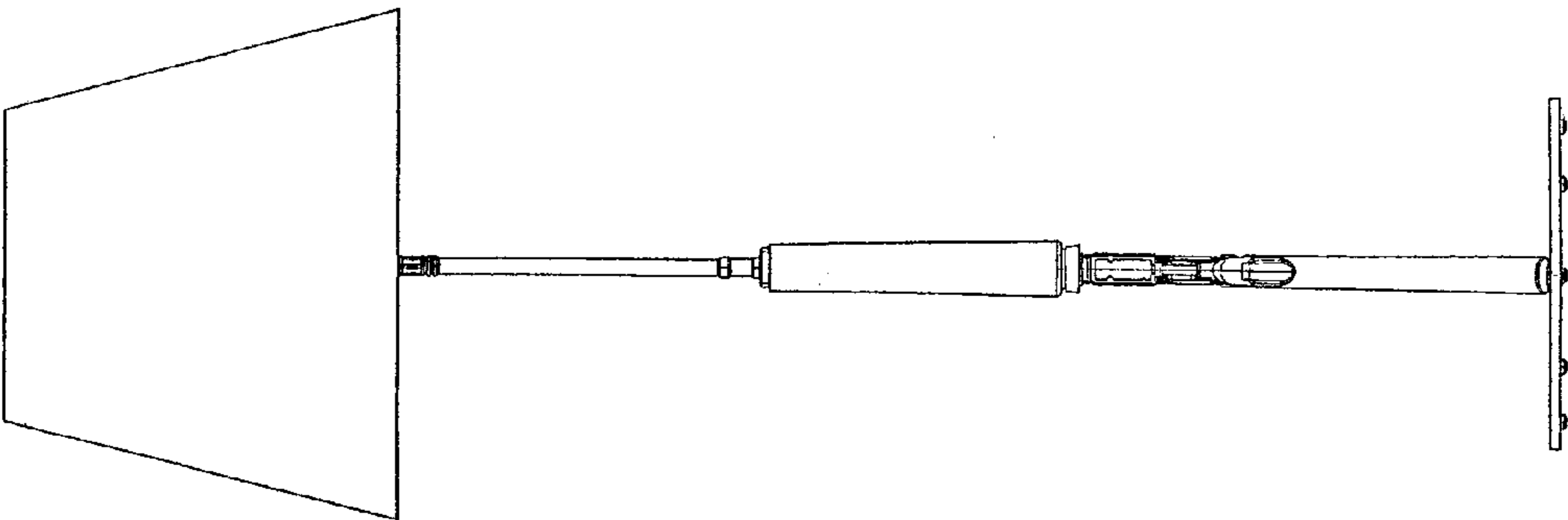


FIG. 3

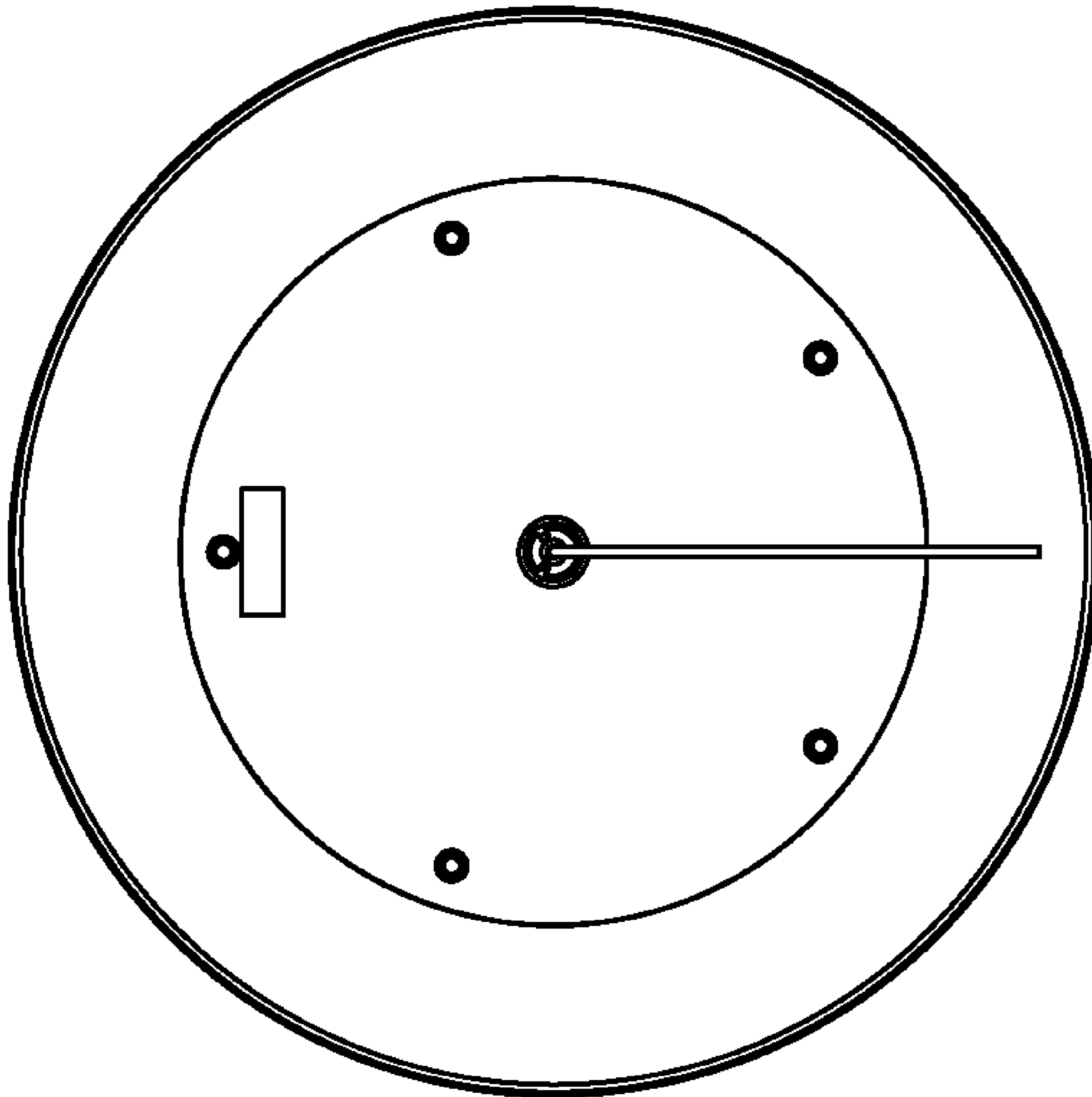


FIG. 5

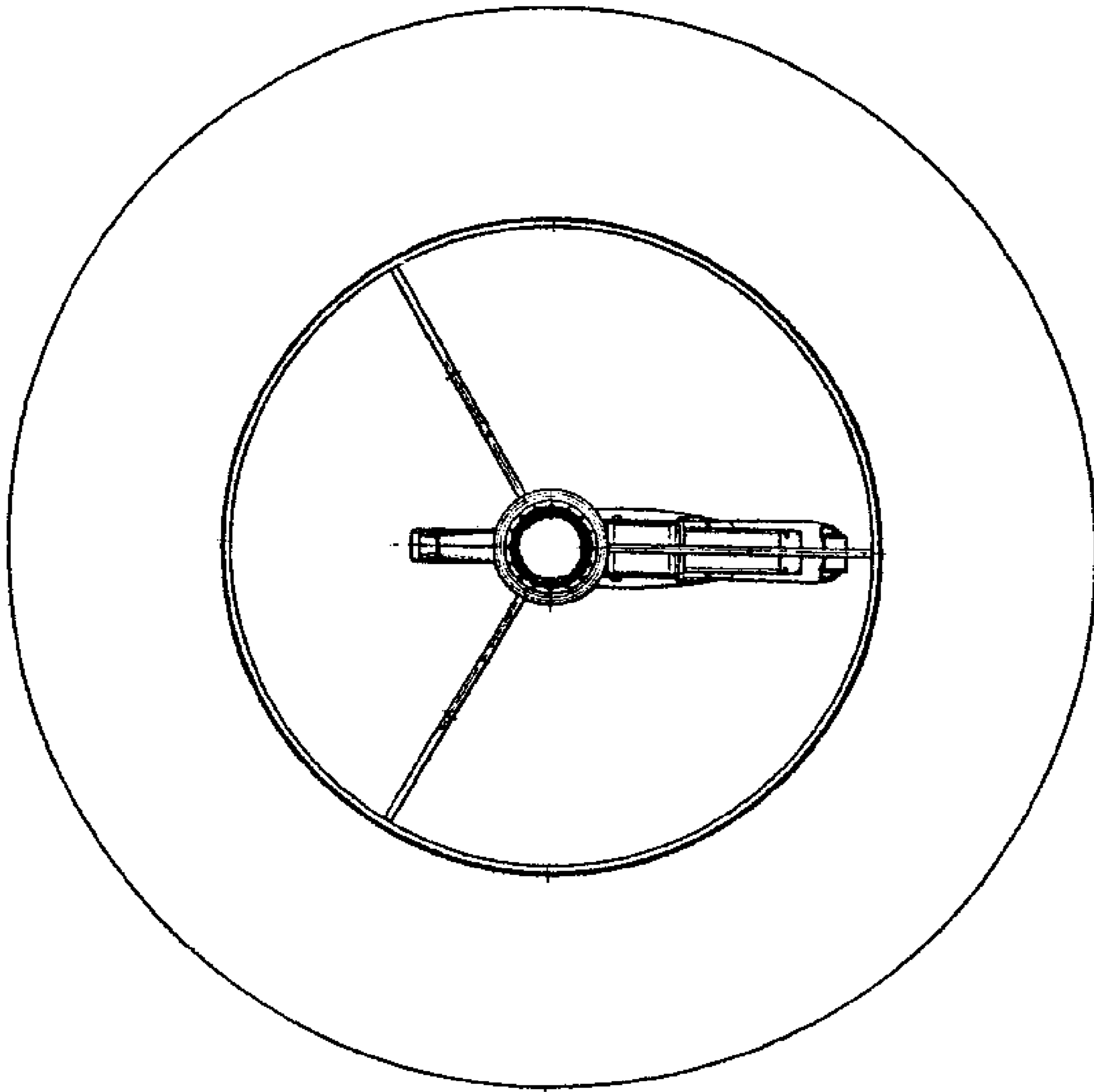


FIG. 6