

US00D560840S

(12) **United States Design Patent**  
**Tseng**

(10) **Patent No.:** **US D560,840 S**

(45) **Date of Patent:** **\*\* Jan. 29, 2008**

(54) **LIGHTING FIXTURE**

(75) Inventor: **Heng-Lun Tseng**, Taipei (TW)

(73) Assignee: **L&C Lighting Technology Corp.**,  
Taipei (TW)

(\*\*) Term: **14 Years**

(21) Appl. No.: **29/253,134**

(22) Filed: **Feb. 2, 2006**

(51) **LOC (8) Cl.** ..... **26-05**

(52) **U.S. Cl.** ..... **D26/63**

(58) **Field of Classification Search** ..... D26/60-72,  
D26/118, 24, 87, 92, 84, 51; 362/16, 86.267,  
362/271, 272, 275, 276, 287, 288, 427, 428,  
362/429, 341, 345, 347, 349, 359, 361, 362,  
362/374, 383, 384, 396, 387, 403

See application file for complete search history.

(56) **References Cited**

U.S. PATENT DOCUMENTS

- D287,413 S \* 12/1986 Kusmer et al. .... D26/65
- 4,851,973 A \* 7/1989 Layne ..... 362/147
- 5,025,358 A \* 6/1991 Cannell ..... 362/267
- D360,959 S \* 8/1995 Donato et al. .... D26/63
- D376,026 S \* 11/1996 Wachter ..... D26/63
- D383,114 S \* 9/1997 Wandler et al. .... D13/110

- D413,176 S \* 8/1999 Mier-Langner ..... D26/63
- 6,004,005 A \* 12/1999 Demshki, Jr. .... 362/238
- 6,152,583 A \* 11/2000 Langner ..... 362/427
- D444,251 S \* 6/2001 Donato ..... D26/63
- D475,478 S \* 6/2003 Ruston ..... D26/63
- D546,994 S \* 7/2007 Wachter et al. .... D26/63

\* cited by examiner

*Primary Examiner*—Cathron Brooks

*Assistant Examiner*—Barbara Fox

(74) *Attorney, Agent, or Firm*—Bacon & Thomas, PLLC

(57) **CLAIM**

The ornamental design for a lighting fixture, as shown and described.

**DESCRIPTION**

FIG. 1 is a perspective view of a lighting fixture showing my new design;

FIG. 2 is a front view thereof;

FIG. 3 is a rear view thereof;

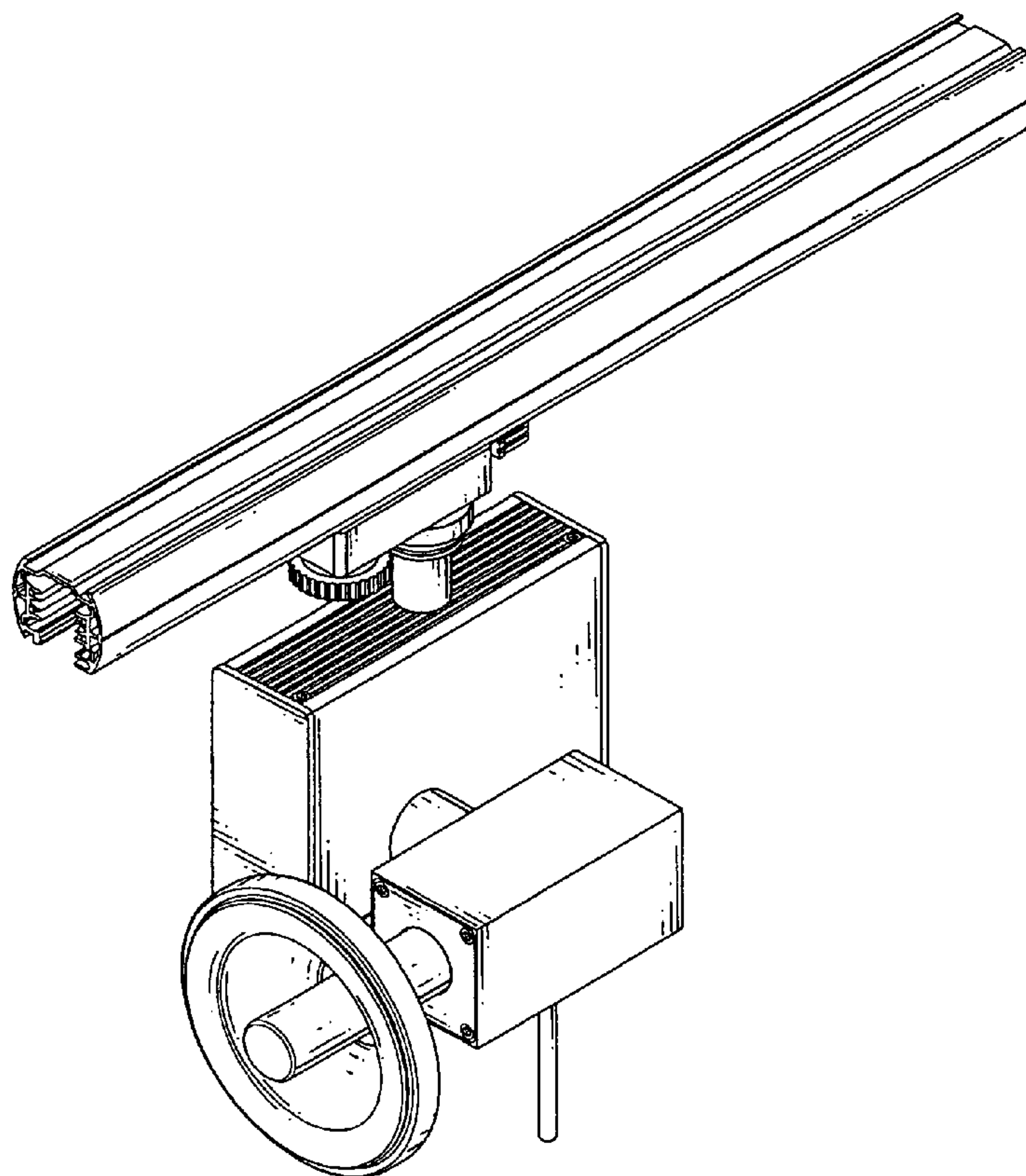
FIG. 4 is a left view thereof;

FIG. 5 is a right view thereof;

FIG. 6 is a top view thereof; and,

FIG. 7 is a bottom view thereof.

**1 Claim, 6 Drawing Sheets**



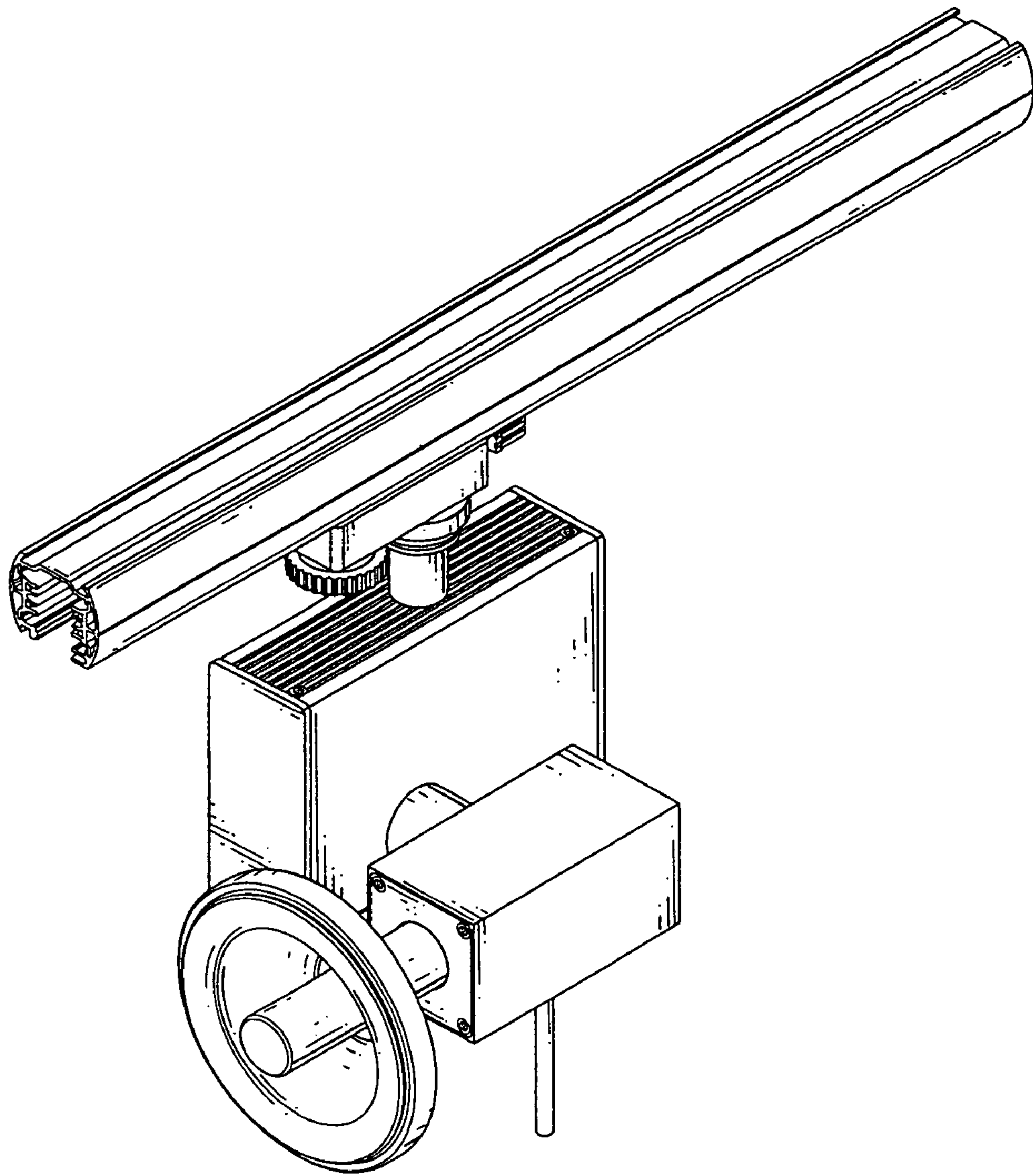


FIG.1

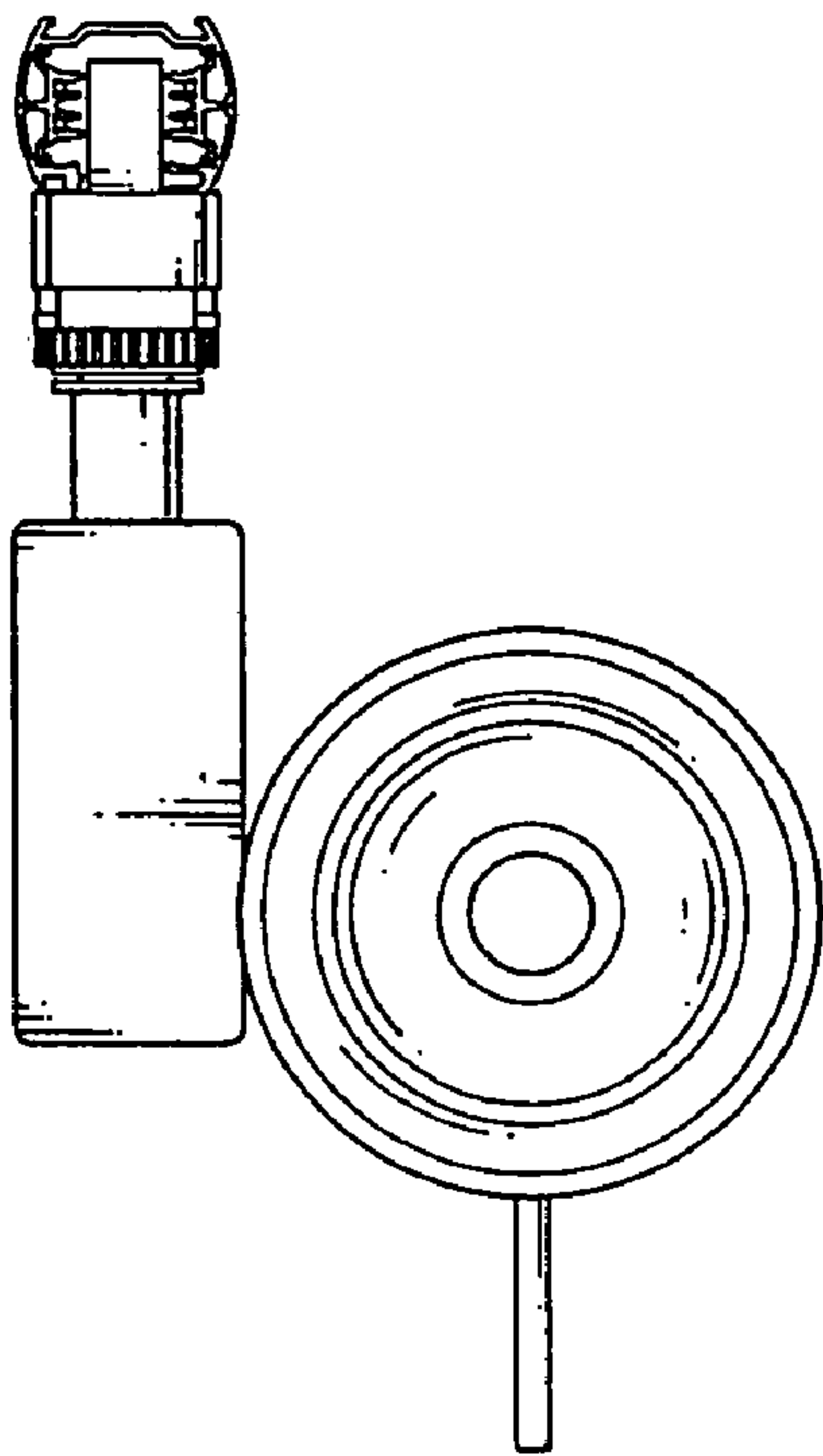


FIG. 2

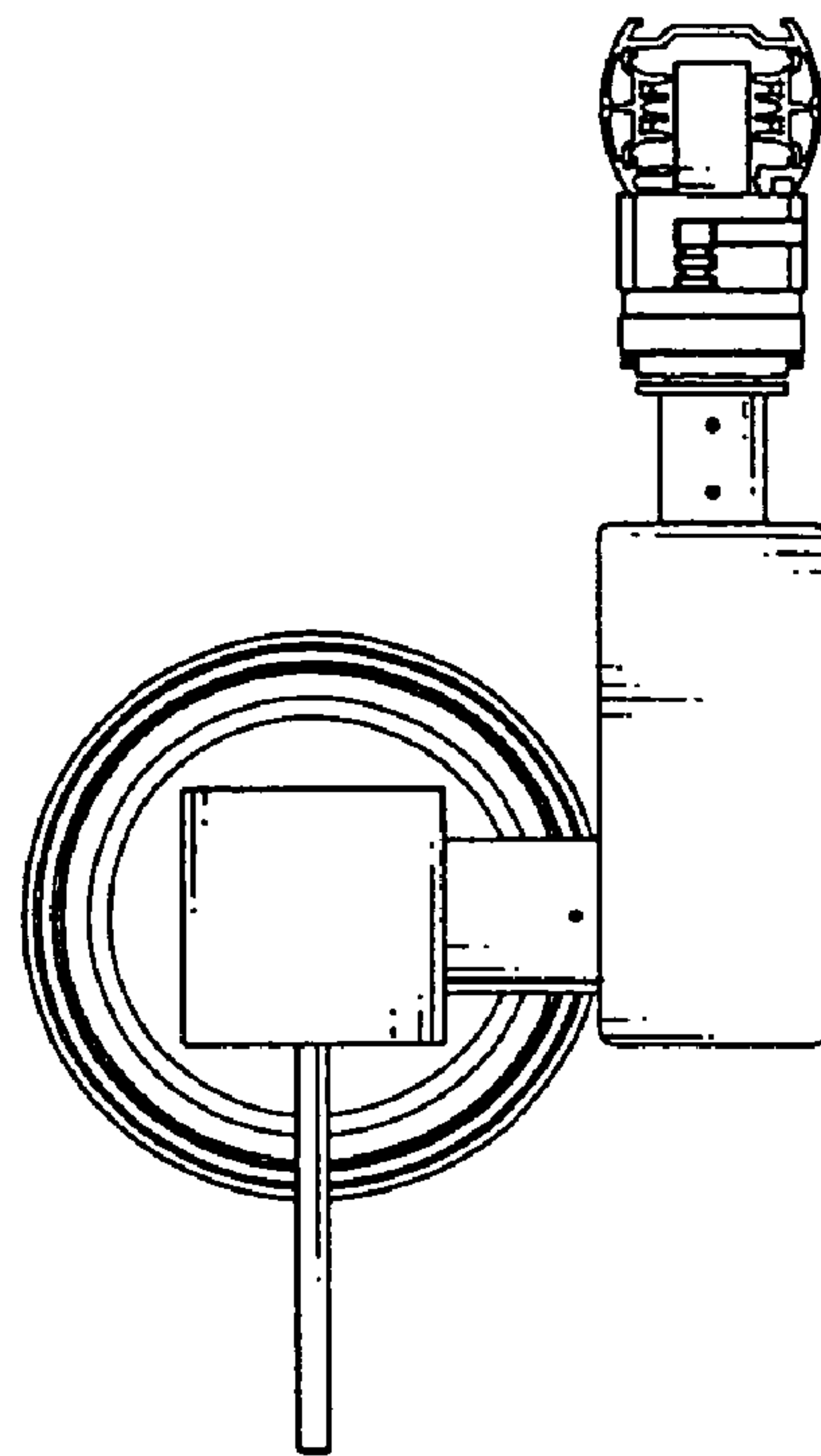


FIG. 3

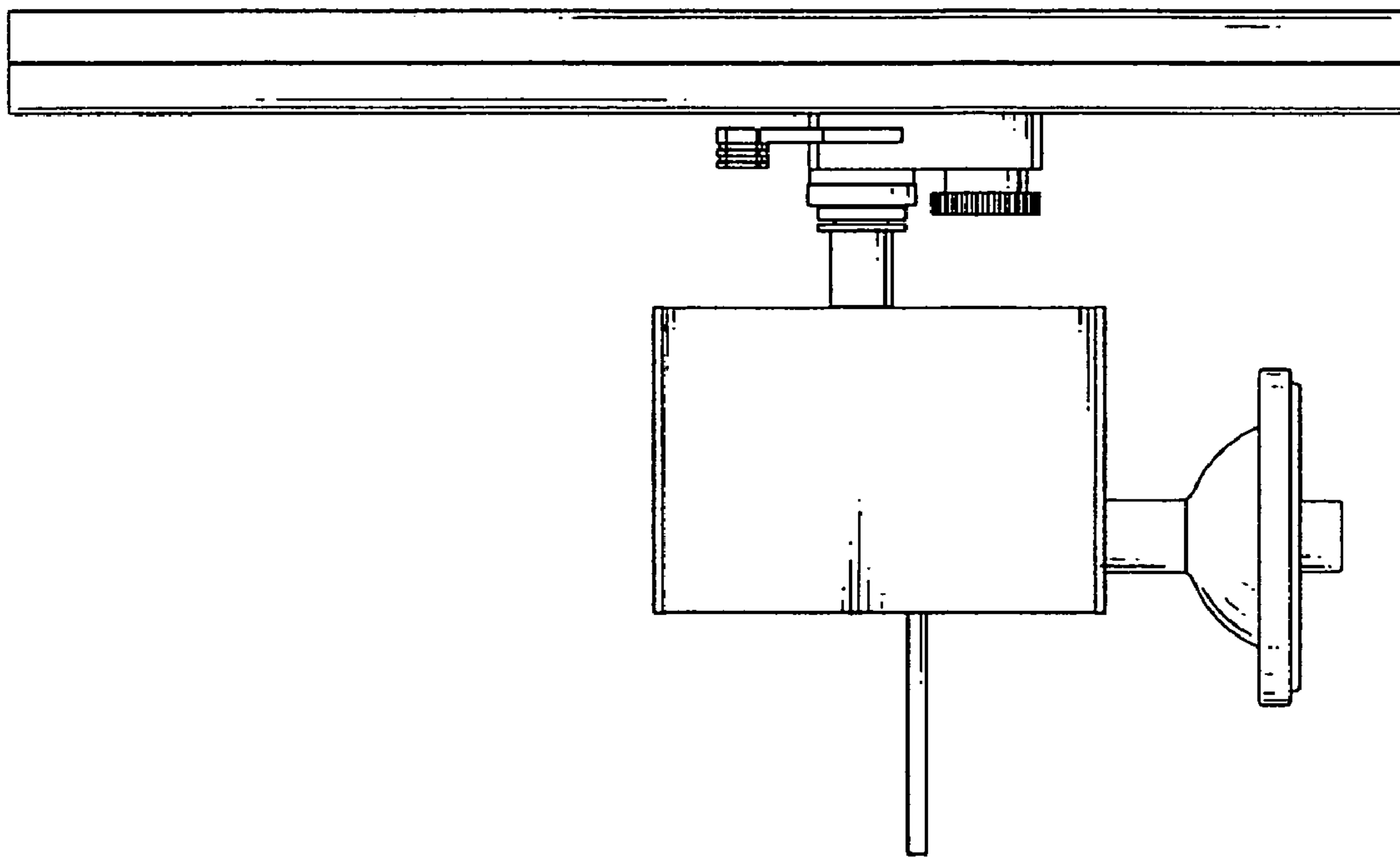


FIG.4

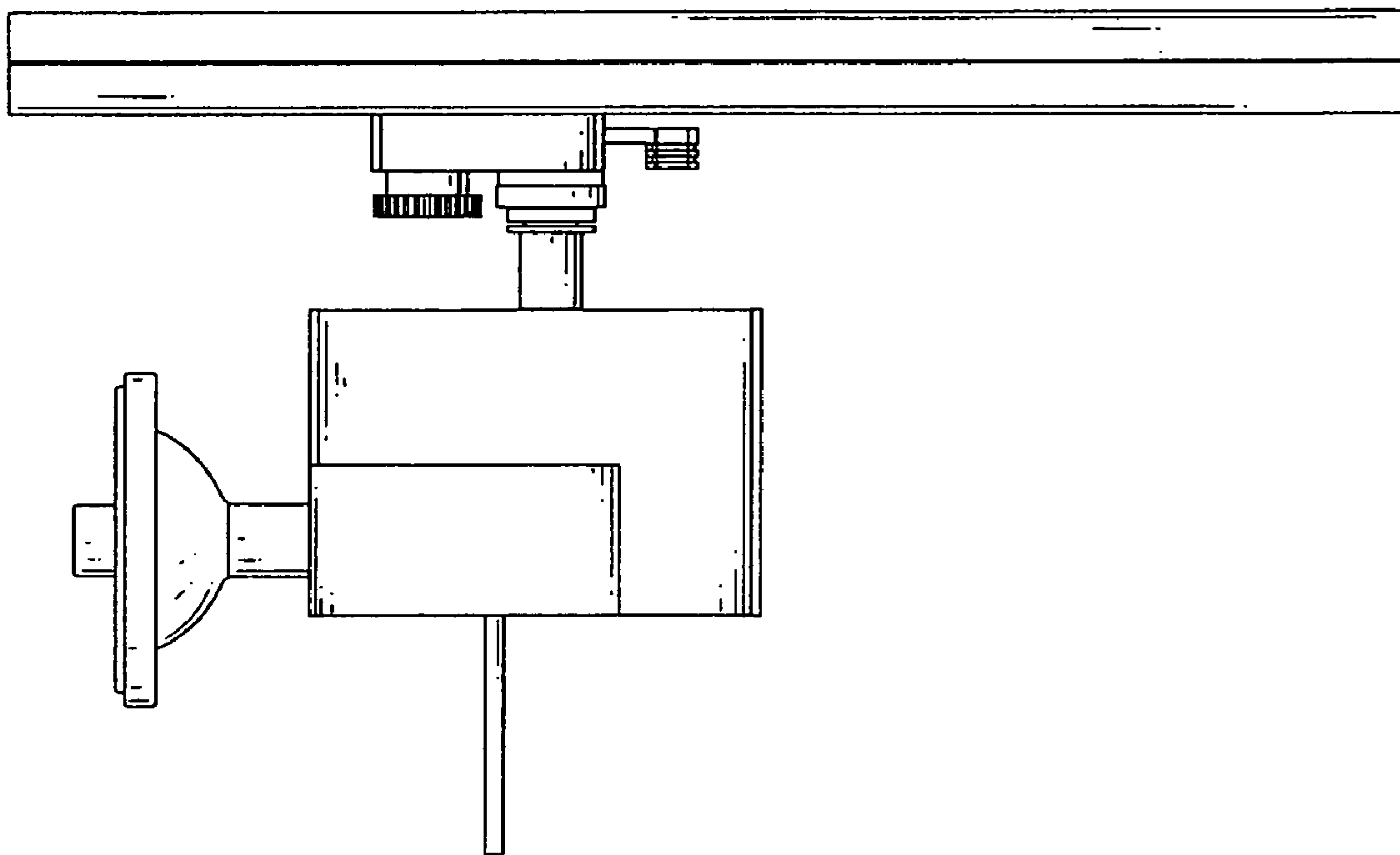


FIG.5

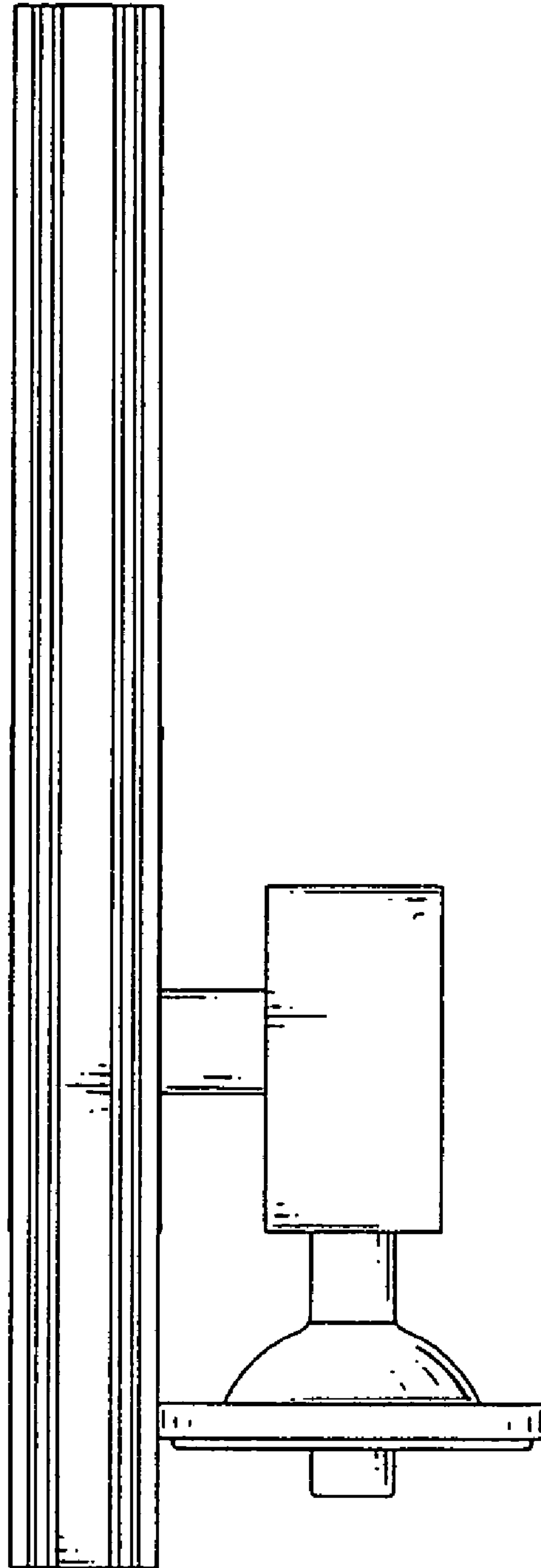


FIG. 6

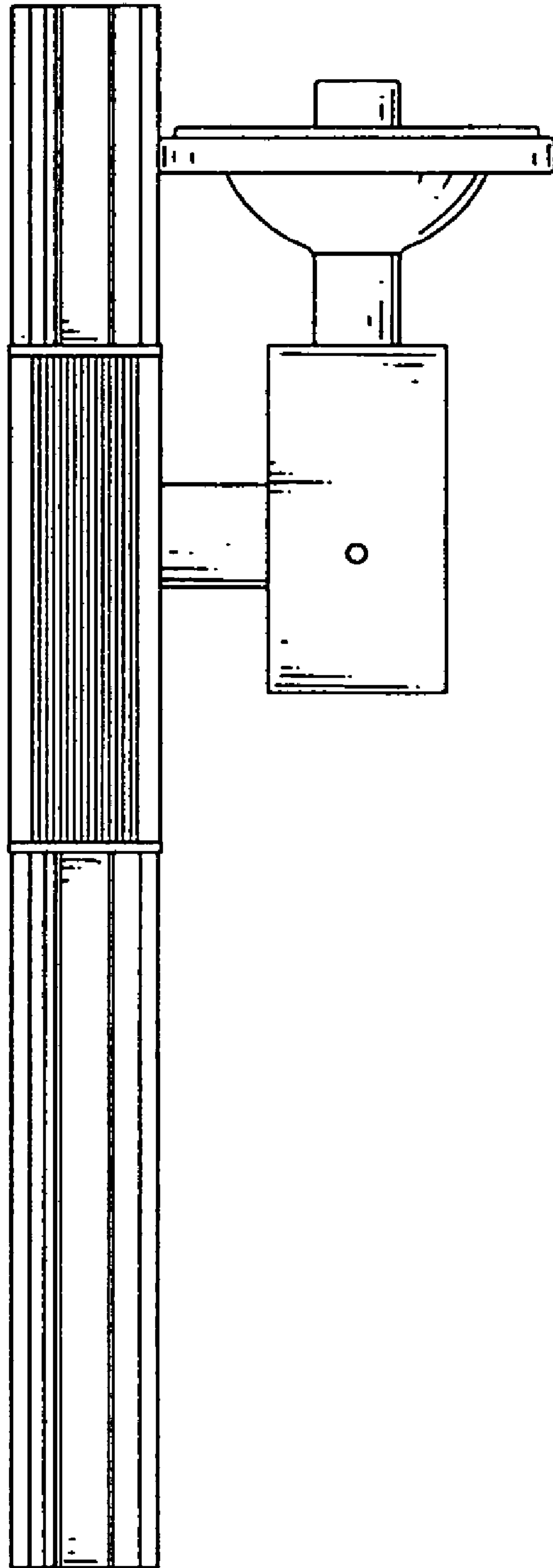


FIG.7