



US00D560834S

(12) **United States Design Patent**
Nagano

(10) **Patent No.:** **US D560,834 S**

(45) **Date of Patent:** **** Jan. 29, 2008**

(54) **HEADLAMP FOR A BICYCLE**

D540,968 S * 4/2007 Lee D26/37
D541,447 S * 4/2007 Ueda et al. D26/28

(75) Inventor: **Toshiyuki Nagano**, Osaka (JP)

* cited by examiner

(73) Assignee: **Cateye Co., Ltd**, Osaka (JP)

Primary Examiner—Marcus A. Jackson

(**) Term: **14 Years**

(74) *Attorney, Agent, or Firm*—Olson & Cepuritis, Ltd.

(21) Appl. No.: **29/289,123**

(57) **CLAIM**

(22) Filed: **Jul. 6, 2007**

The ornamental design for a headlamp for a bicycle, as shown.

(30) **Foreign Application Priority Data**

DESCRIPTION

Jun. 7, 2007 (JP) 2007-015179

(51) **LOC (8) Cl.** **26-06**

FIG. 1 is a front view of a headlamp for a bicycle showing our my design;

(52) **U.S. Cl.** **D26/28**

FIG. 2 is a rear view thereof,

(58) **Field of Classification Search** D26/28-36;
362/459-468, 475-478, 485-487

FIG. 3 is a top plan view thereof,

See application file for complete search history.

FIG. 4 is a bottom plan view thereof,

FIG. 5 is a right side view thereof,

FIG. 6 is a left side view thereof, and,

FIG. 7 is a perspective view thereof.

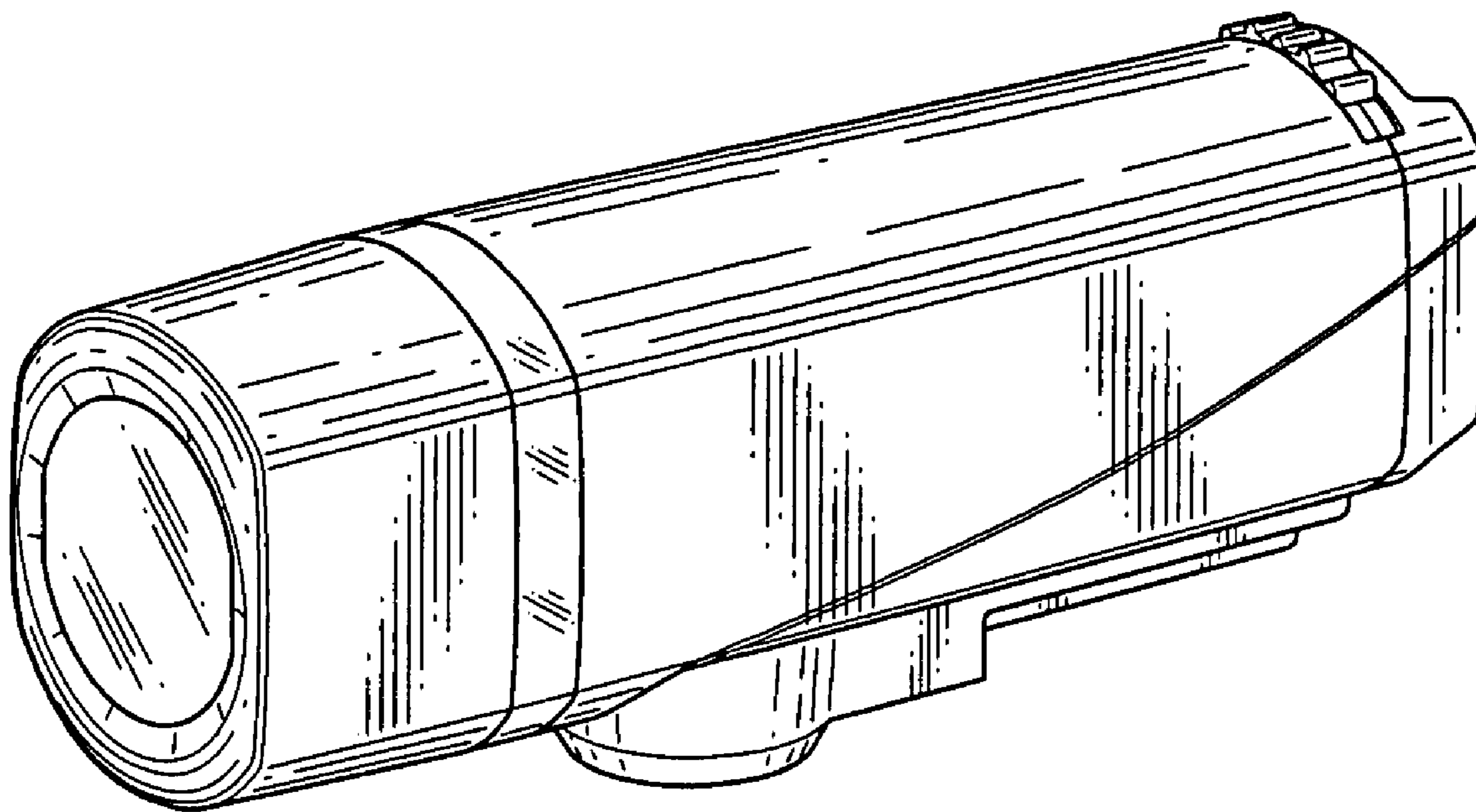
(56) **References Cited**

U.S. PATENT DOCUMENTS

1 Claim, 4 Drawing Sheets

D520,155 S * 5/2006 Okuda D26/28

D529,639 S * 10/2006 Okuda D26/28



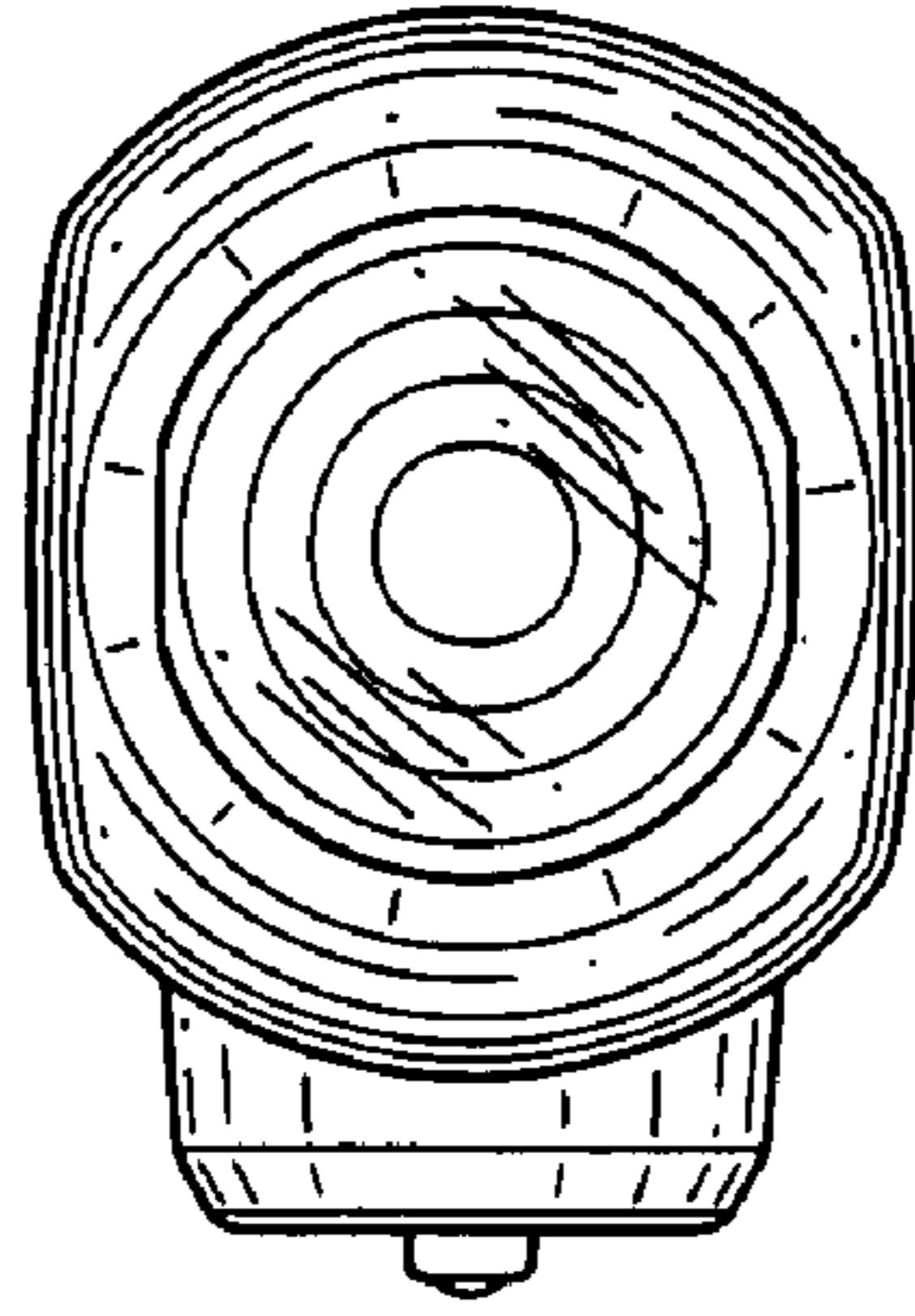


Fig. 1

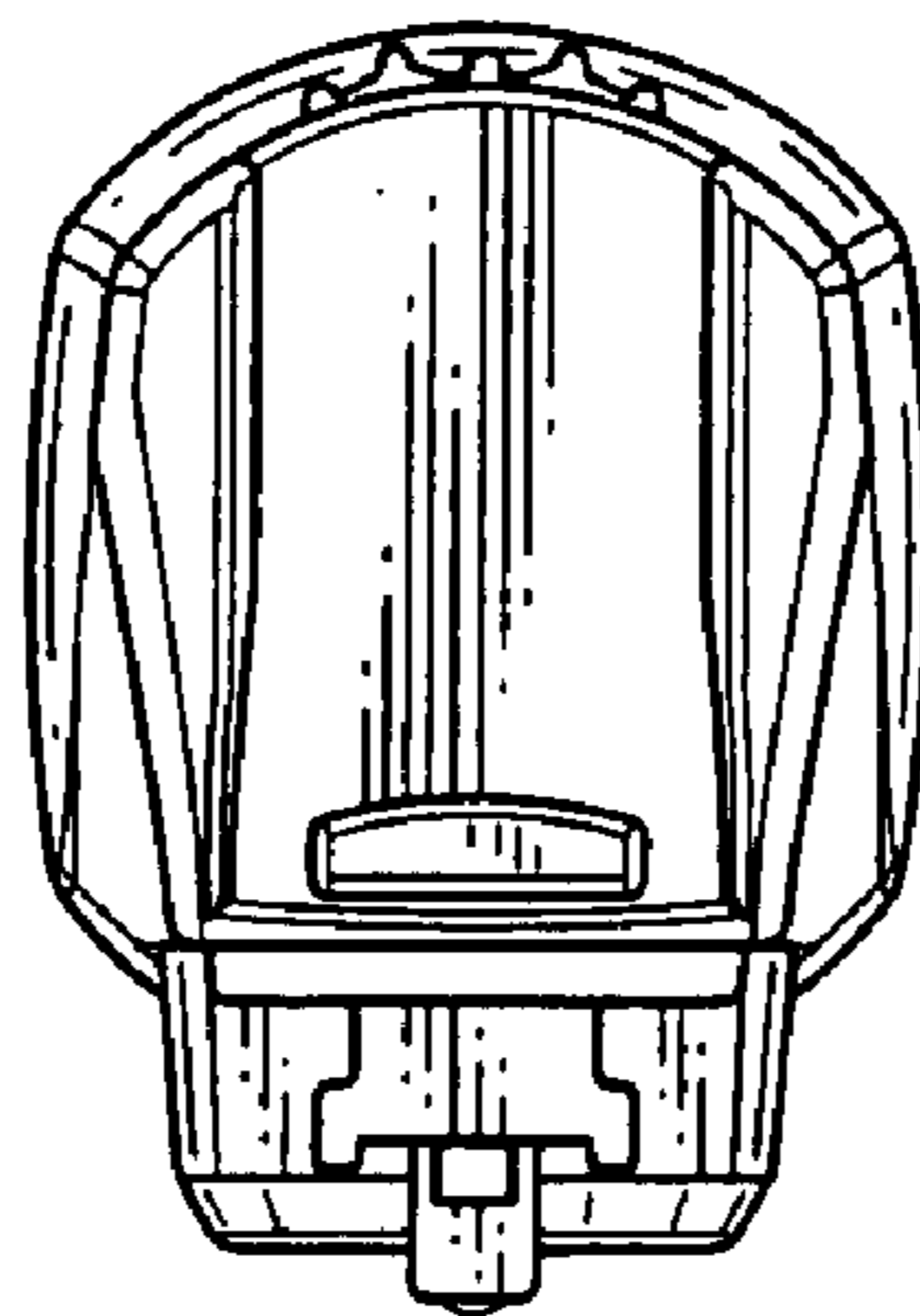


Fig. 2

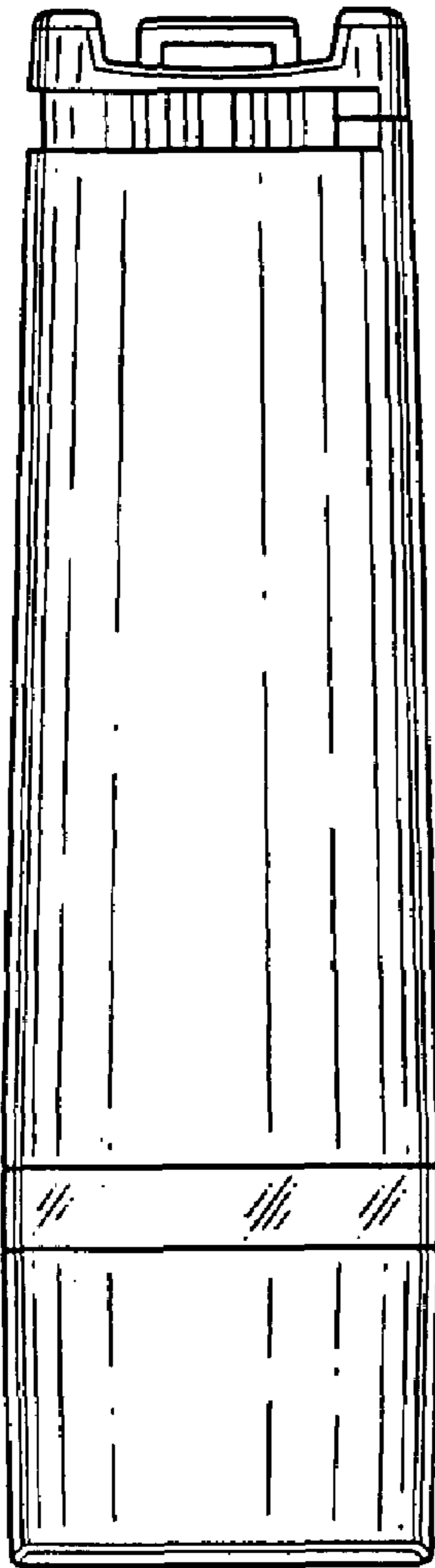


Fig. 3

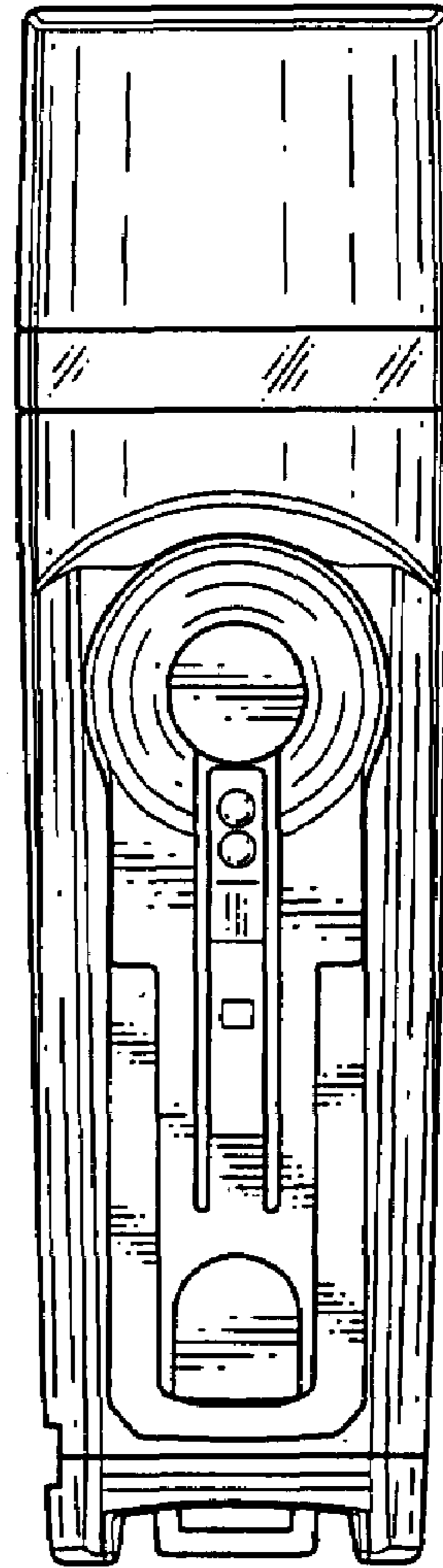


Fig. 4

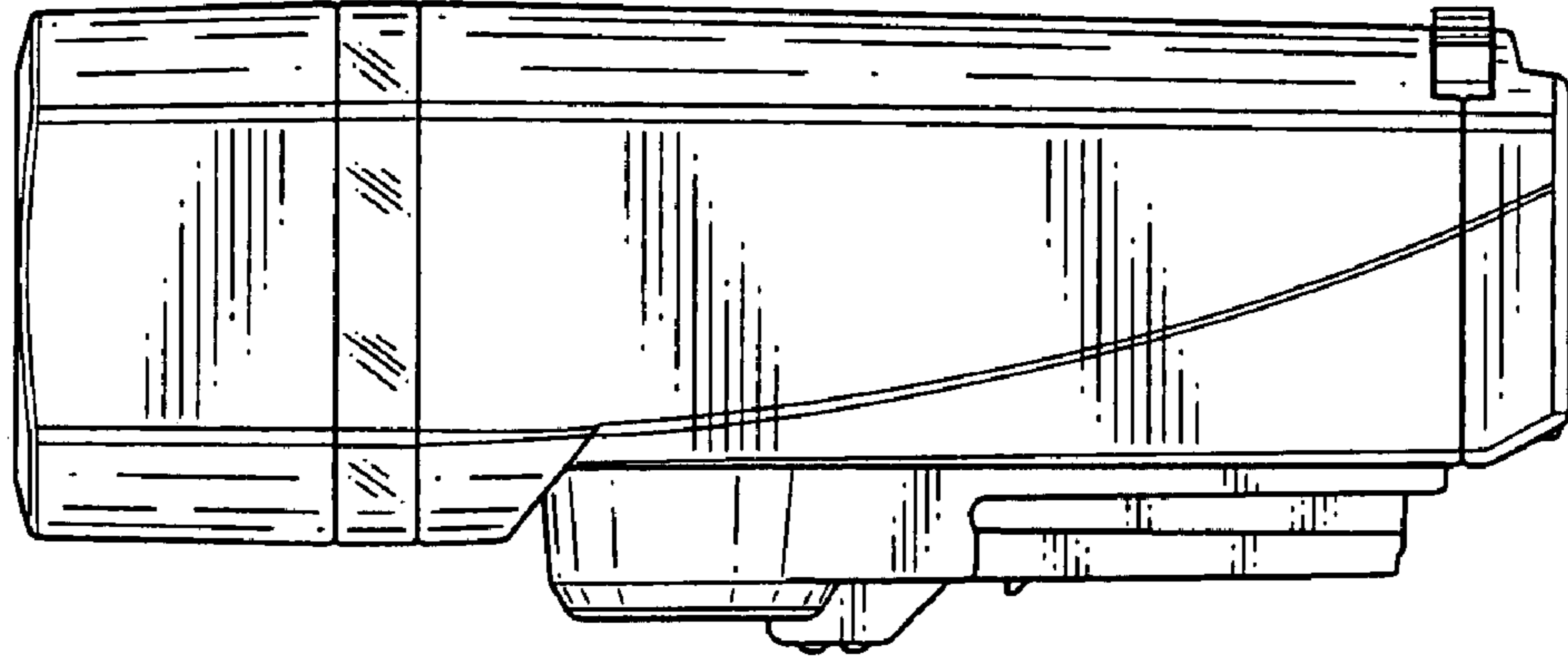


Fig. 5

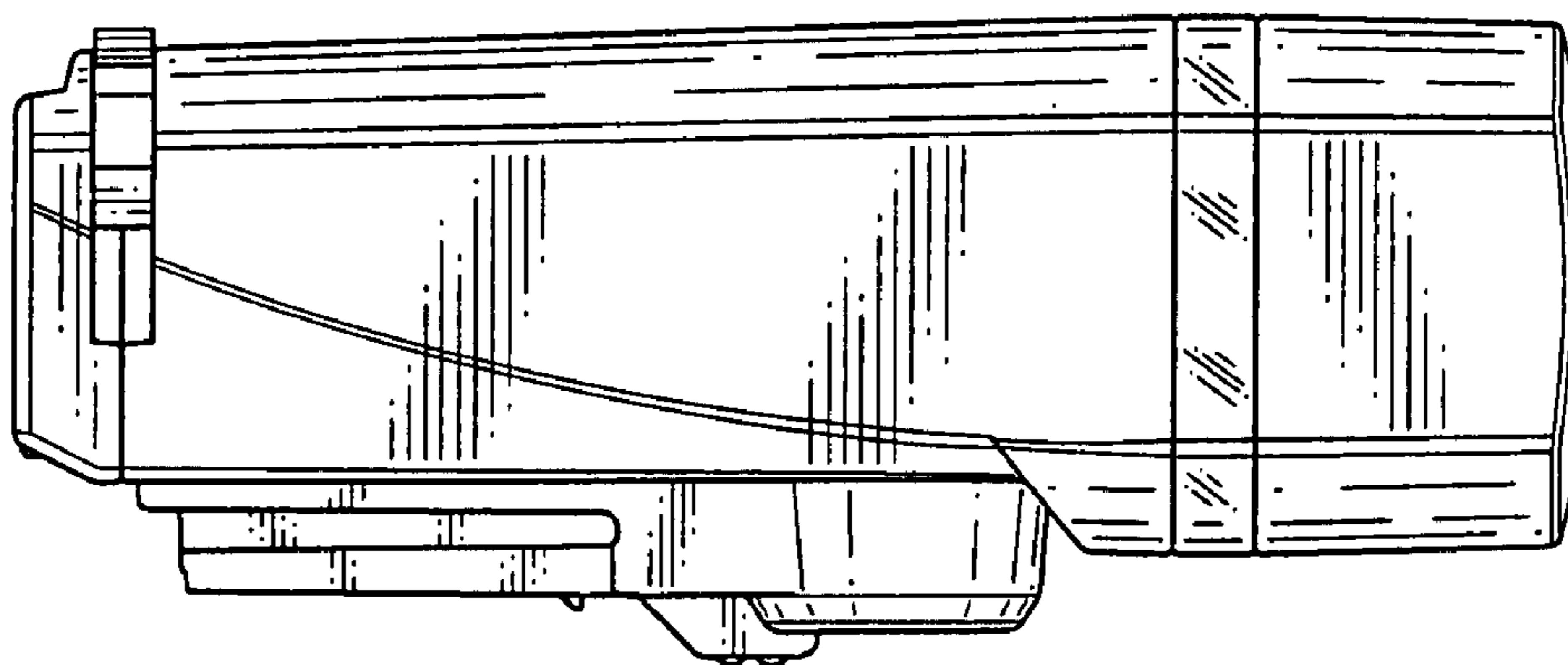


Fig. 6

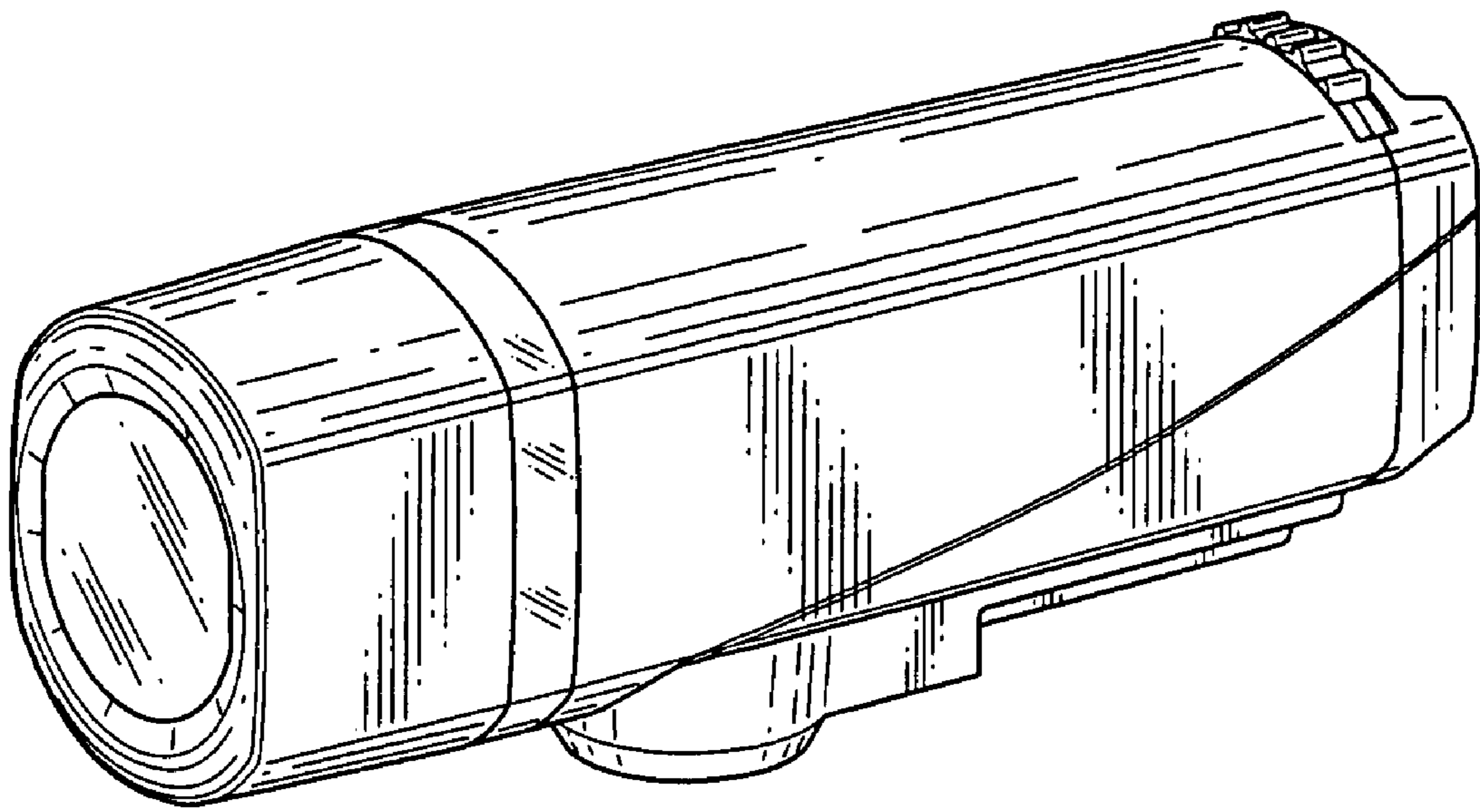


Fig. 7