

US00D560833S

(12) **United States Design Patent**
Ueda et al.

(10) **Patent No.:** **US D560,833 S**
(45) **Date of Patent:** **** Jan. 29, 2008**

- (54) **HEADLAMP FOR A BICYCLE**
- (75) Inventors: **Takashi Ueda**, Osaka (JP); **Toshiyuki Nagano**, Osaka (JP)
- (73) Assignee: **Cateye Co., Ltd.**, Osaka (JP)
- (**) Term: **14 Years**
- (21) Appl. No.: **29/289,085**
- (22) Filed: **Jul. 6, 2007**
- (30) **Foreign Application Priority Data**
Jan. 10, 2007 (JP) 2007-000175
- (51) **LOC (8) Cl.** **26-06**
- (52) **U.S. Cl.** **D26/28**
- (58) **Field of Classification Search** D26/28-36;
362/459-468, 475-478, 485-487
See application file for complete search history.

- D523,573 S * 6/2006 Lee D26/28
- D529,205 S * 9/2006 Nagano D26/28
- D535,411 S * 1/2007 Lee D26/28
- D541,447 S * 4/2007 Ueda et al. D26/28

* cited by examiner

Primary Examiner—Marcus A. Jackson
(74) *Attorney, Agent, or Firm*—Olson & Cepuritis, Ltd.

(57) **CLAIM**

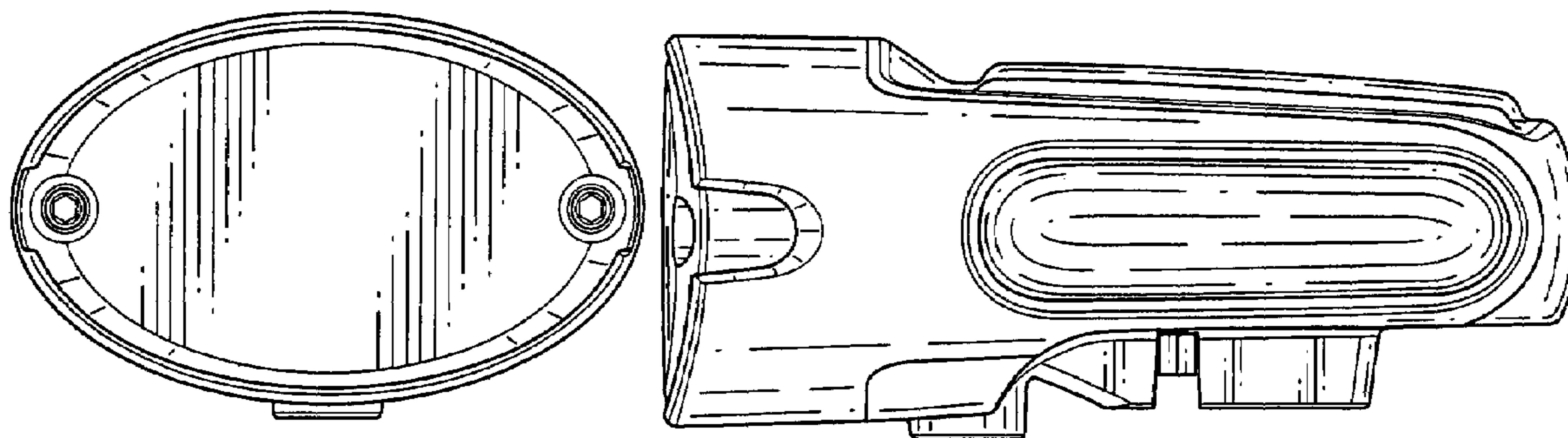
The ornamental design for a headlamp for a bicycle, as shown.

DESCRIPTION

FIG. 1 is a front view of a headlamp for a bicycle showing our new design;
FIG. 2 is a rear view thereof;
FIG. 3 is a top plan view thereof;
FIG. 4 is a bottom plan view thereof;
FIG. 5 is a right side view thereof;
FIG. 6 is a left side view thereof; and,
FIG. 7 is a perspective view thereof.

1 Claim, 5 Drawing Sheets

- (56) **References Cited**
U.S. PATENT DOCUMENTS
D514,239 S * 1/2006 Okuda D26/28
D520,155 S * 5/2006 Okuda D26/28



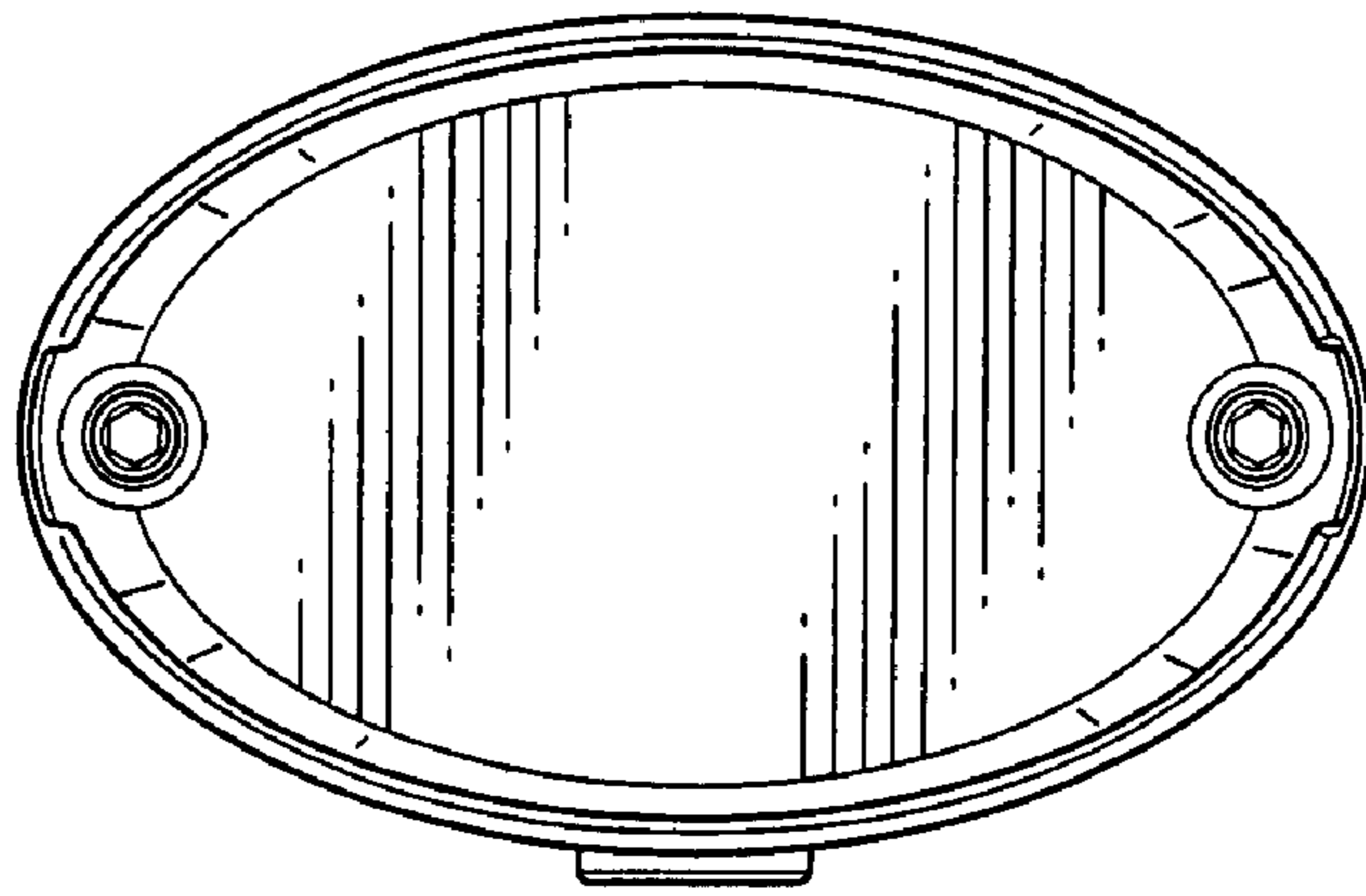


Fig. 1

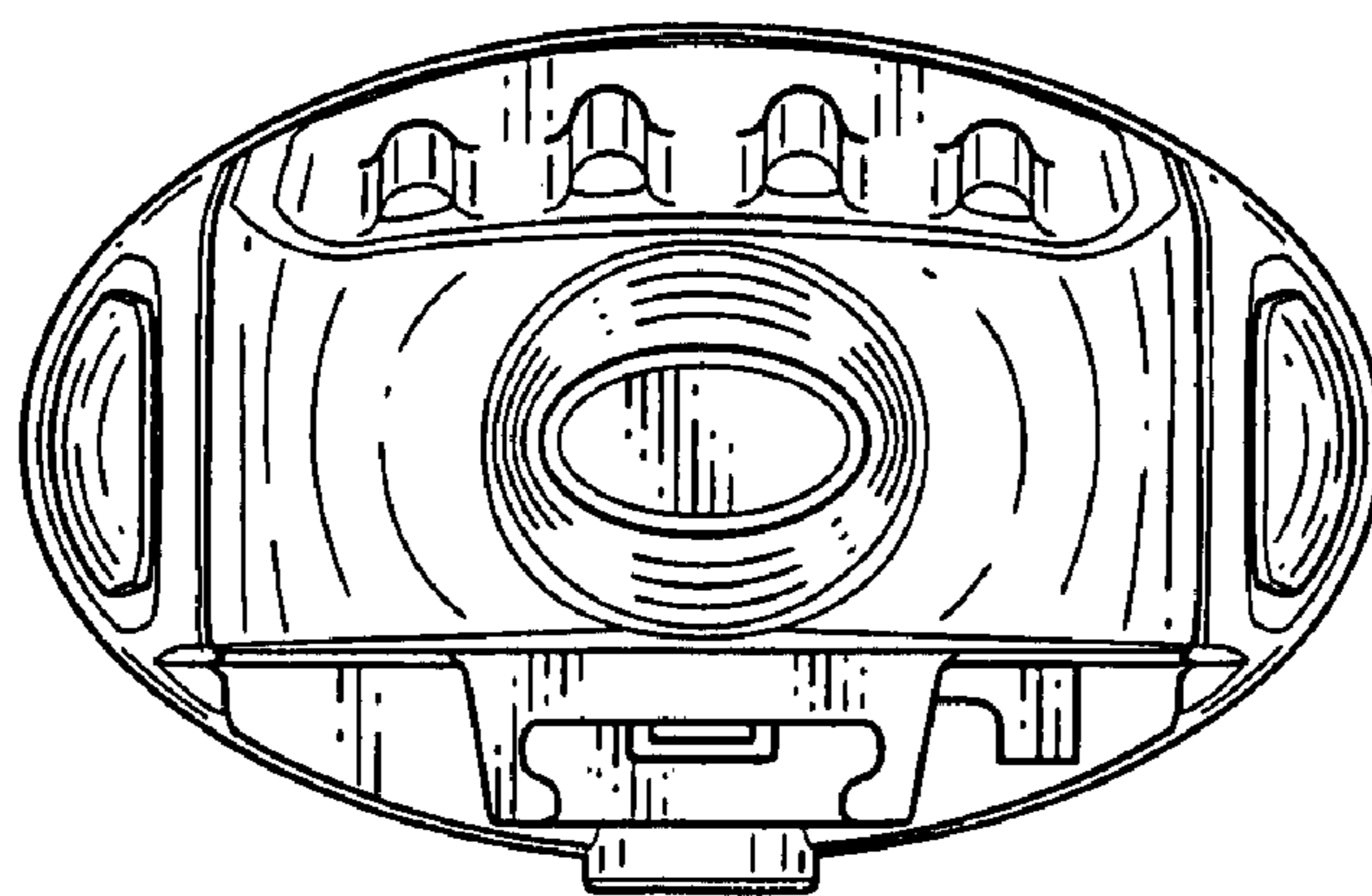


Fig. 2

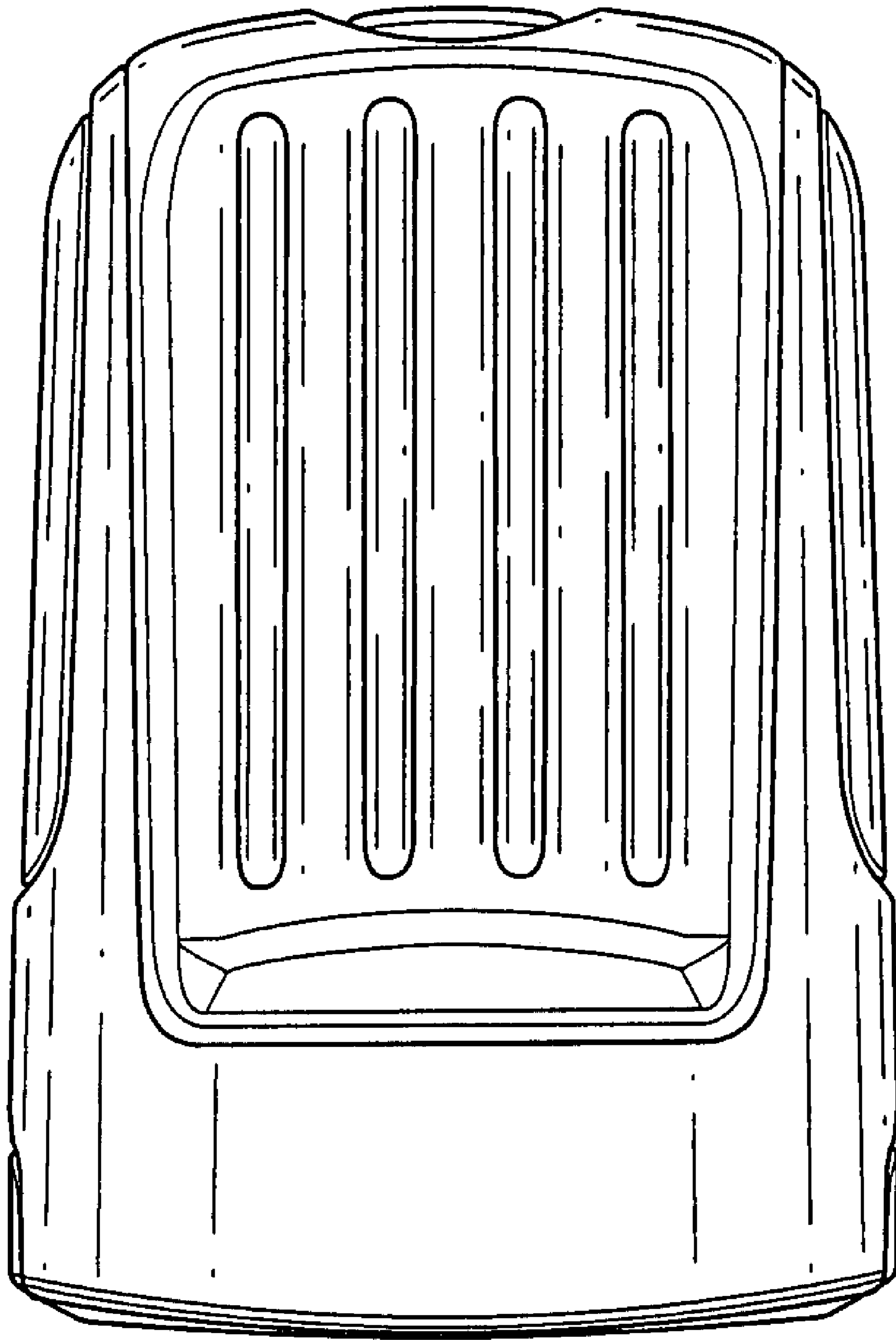


Fig. 3

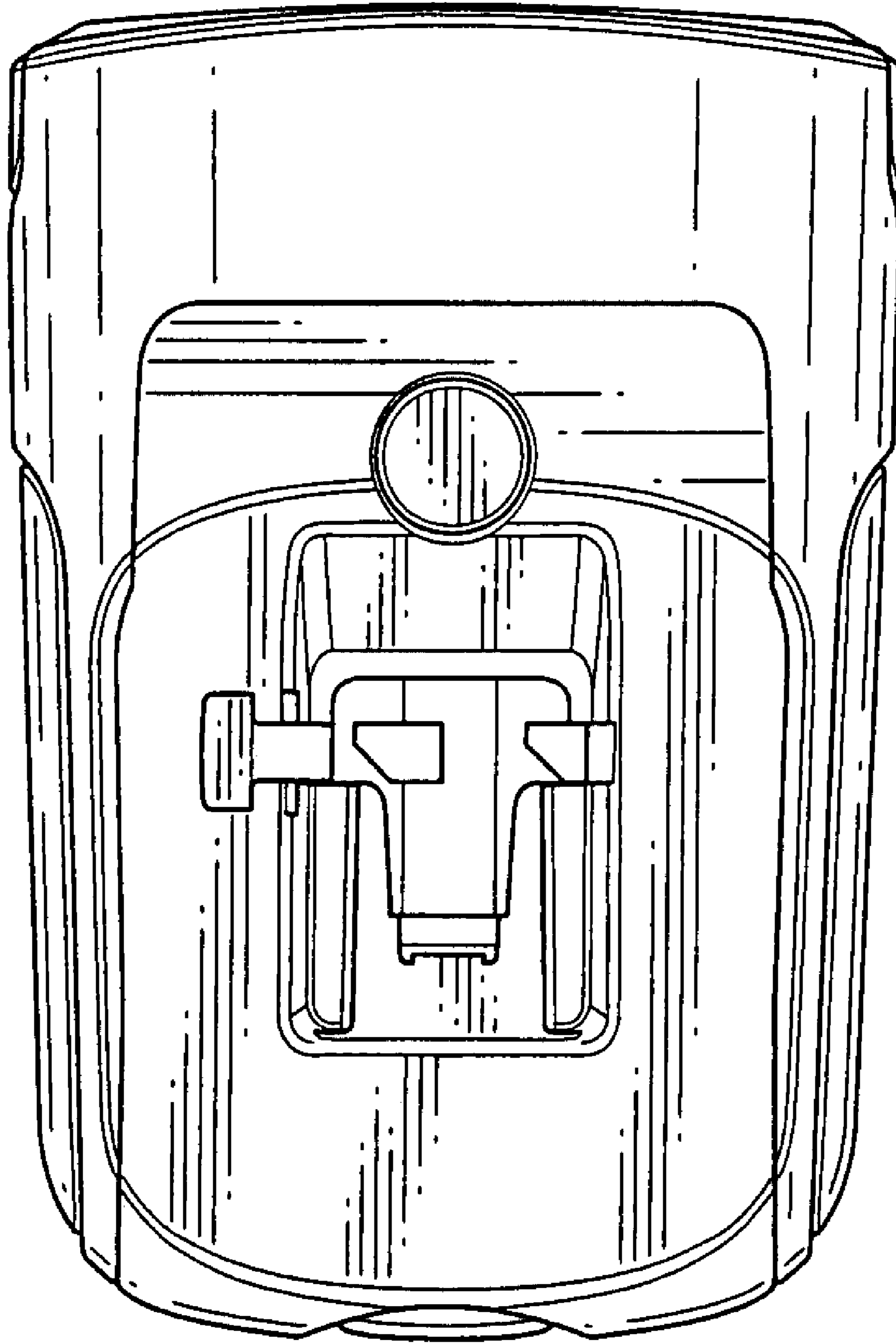


Fig. 4

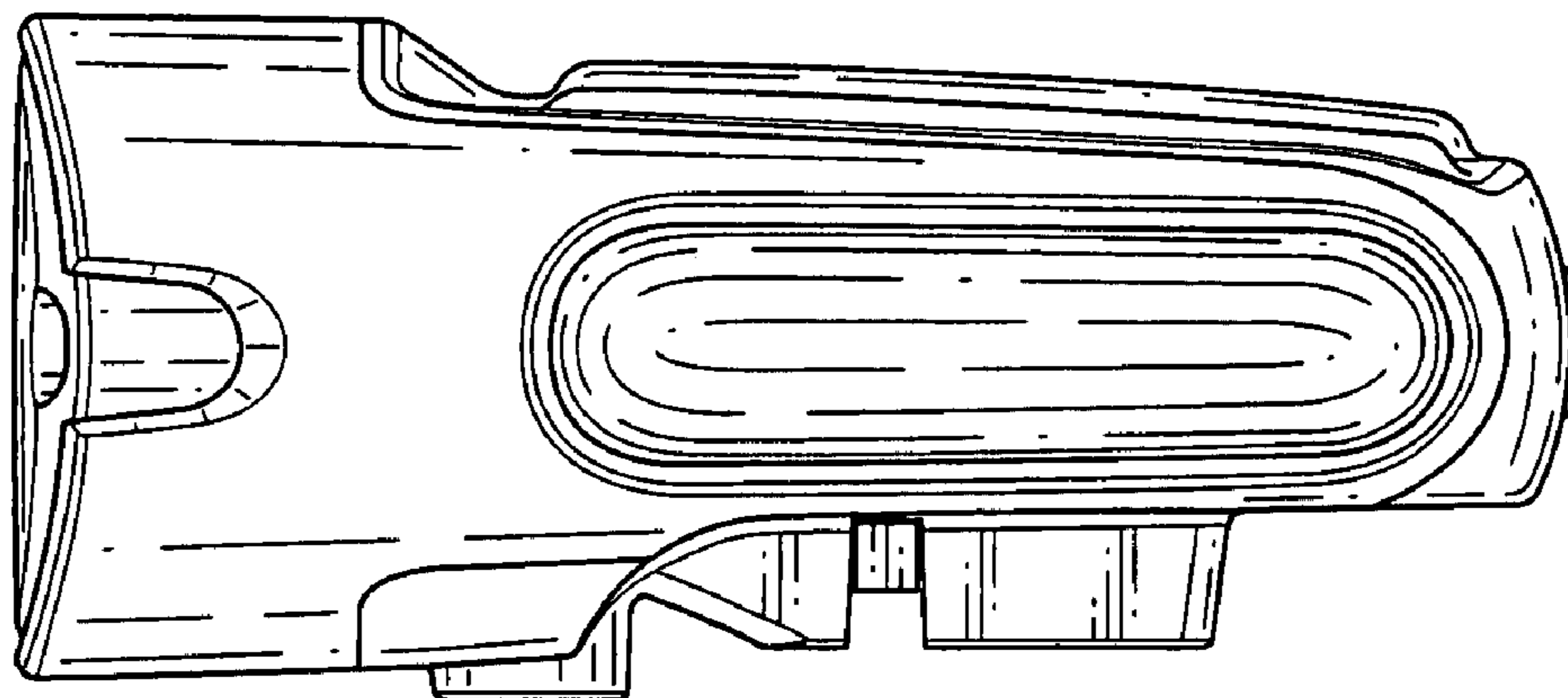


Fig. 5

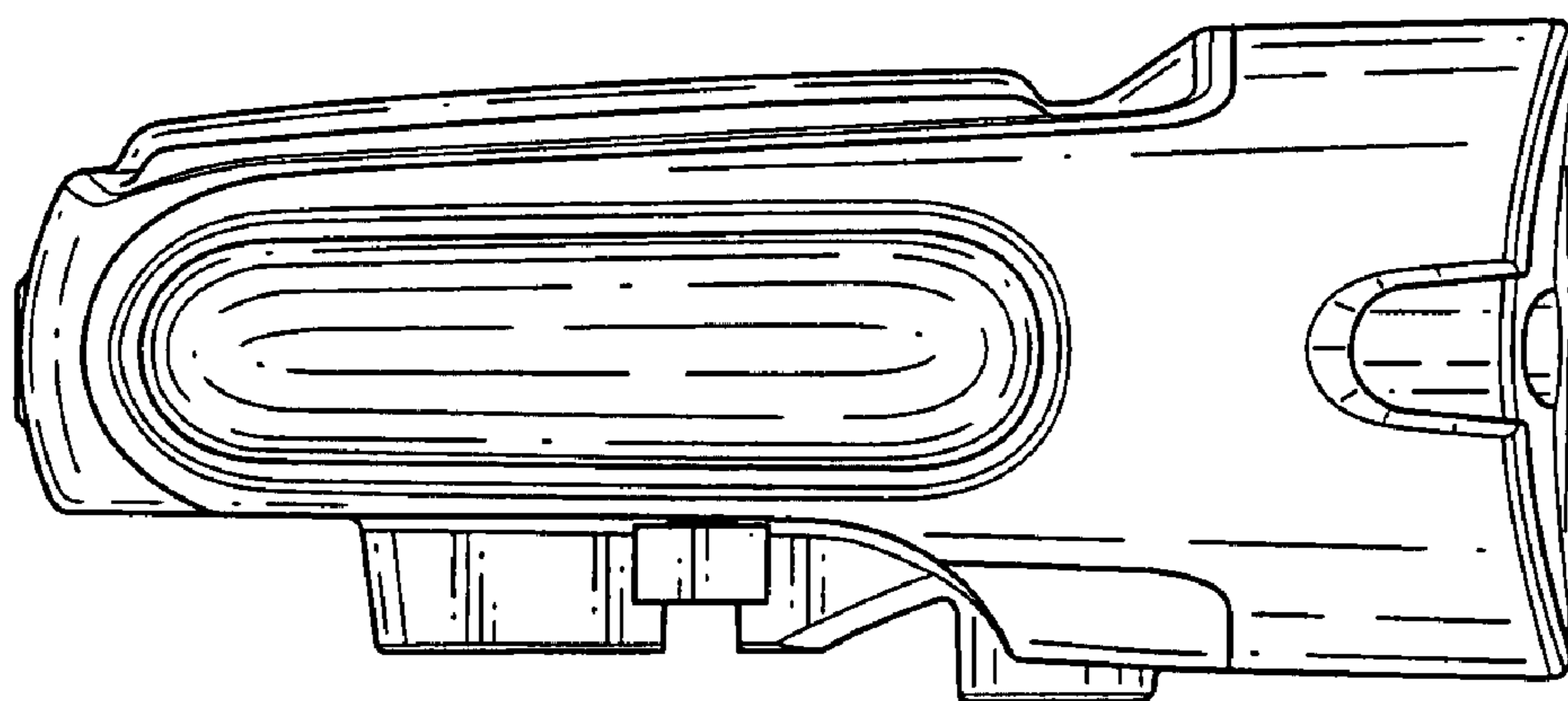


Fig. 6

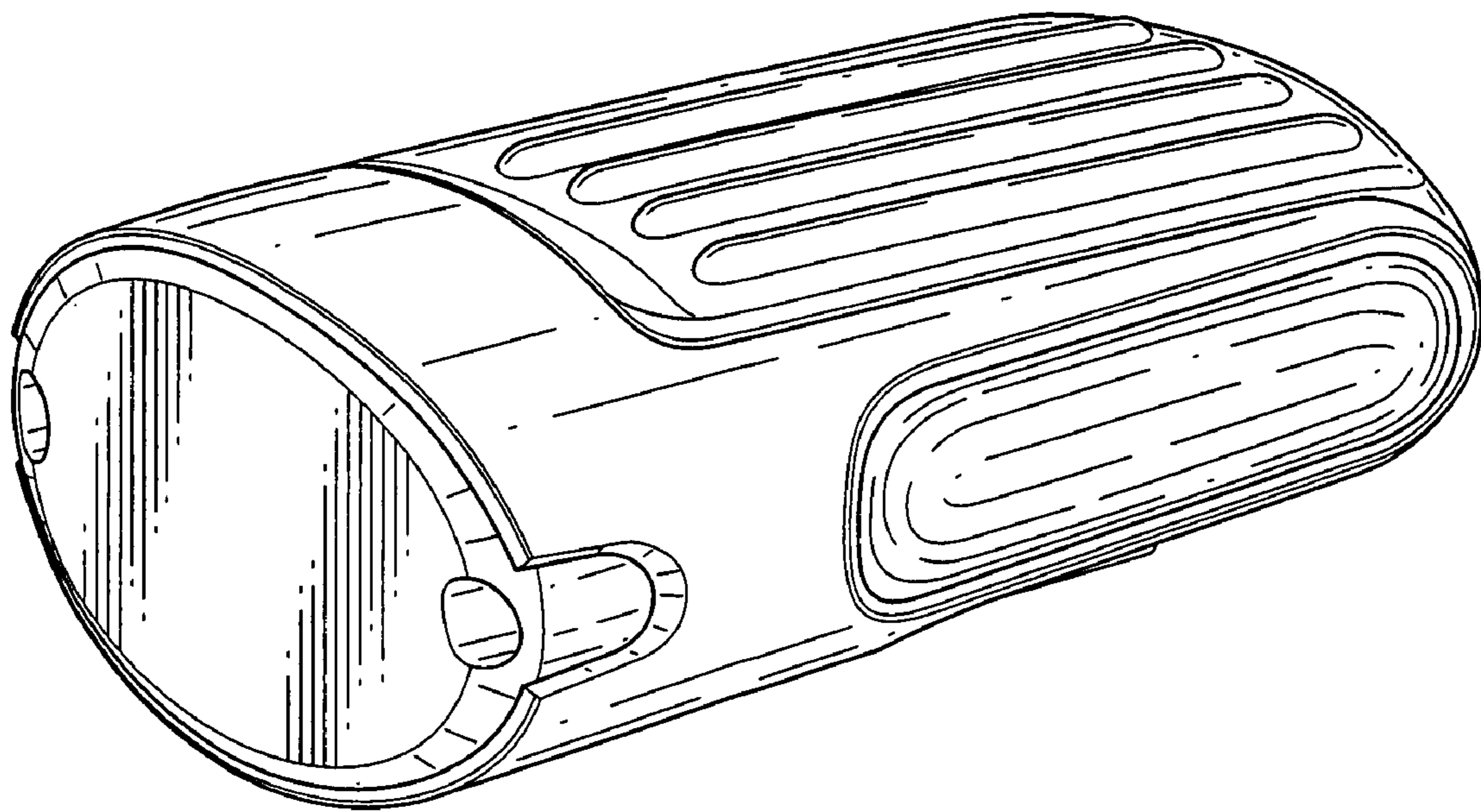


Fig. 7