

US00D560829S

(12) **United States Design Patent**  
**Mason, II**

(10) **Patent No.:** **US D560,829 S**

(45) **Date of Patent:** **\*\* Jan. 29, 2008**

(54) **UNDERWATER HULL LIGHT FOR A WATERCRAFT**

D510,885 S \* 10/2005 Ducker et al. .... D10/114  
D547,889 S \* 7/2007 Huang ..... D26/28

(76) Inventor: **Kevin P. Mason, II**, 11 SE. Beech Tree La., Stuart, FL (US) 34994

\* cited by examiner

*Primary Examiner*—Marcus A. Jackson

(74) *Attorney, Agent, or Firm*—McHale & Slavin, P.A.

(\*\*) Term: **14 Years**

(21) Appl. No.: **29/280,485**

(57) **CLAIM**

(22) Filed: **May 30, 2007**

The ornamental design for an underwater hull light for a watercraft, as shown and described.

(51) **LOC (8) Cl.** ..... **26-04**

(52) **U.S. Cl.** ..... **D26/28**

(58) **Field of Classification Search** ..... D26/28-36;  
362/459-468, 475-478, 485-487

See application file for complete search history.

**DESCRIPTION**

FIG. 1 is a top perspective view of the underwater hull light for a watercraft of the instant invention;

FIG. 2 is a top view thereof;

FIG. 3 is a bottom view thereof; and,

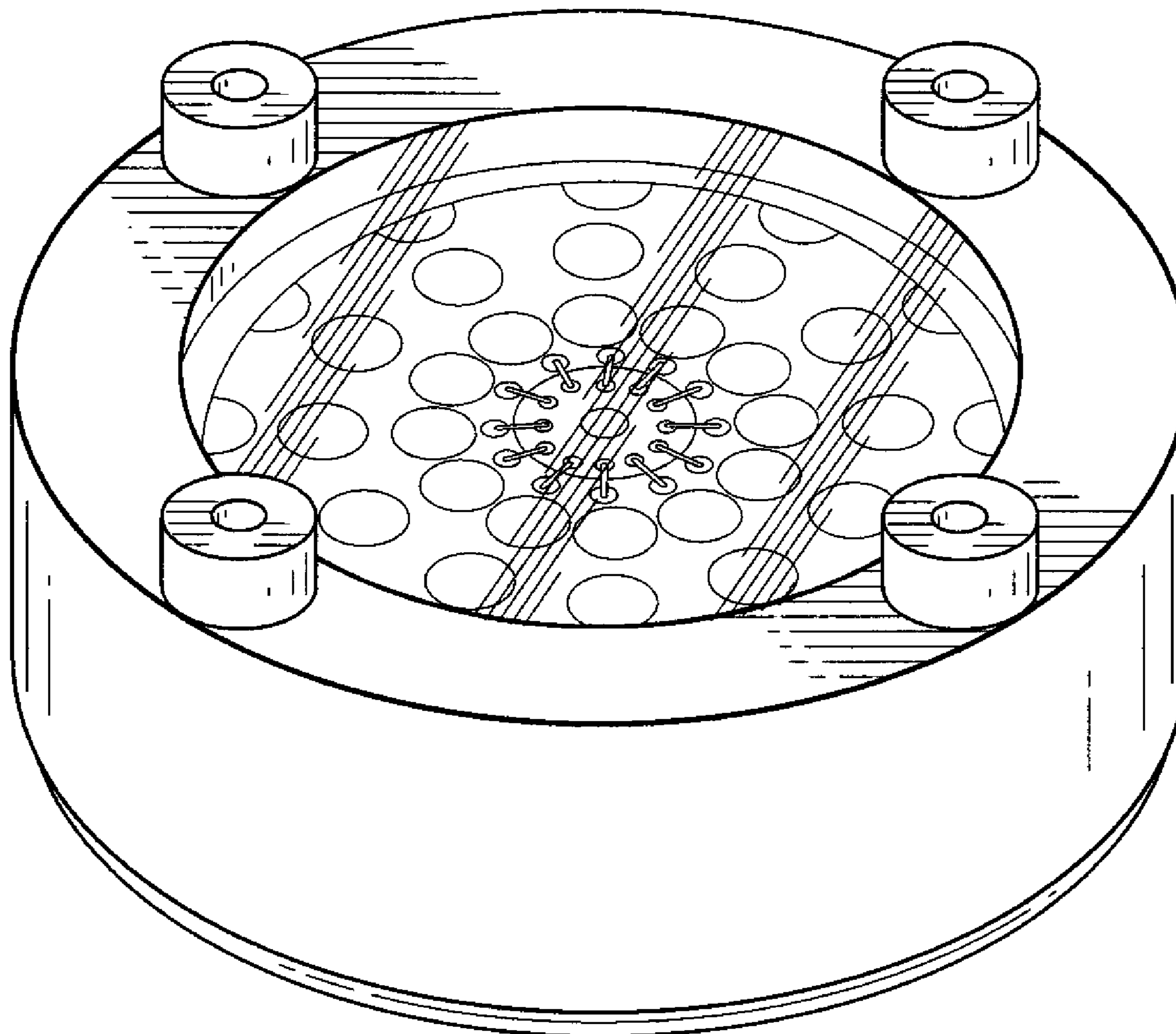
FIG. 4 is a side view thereof.

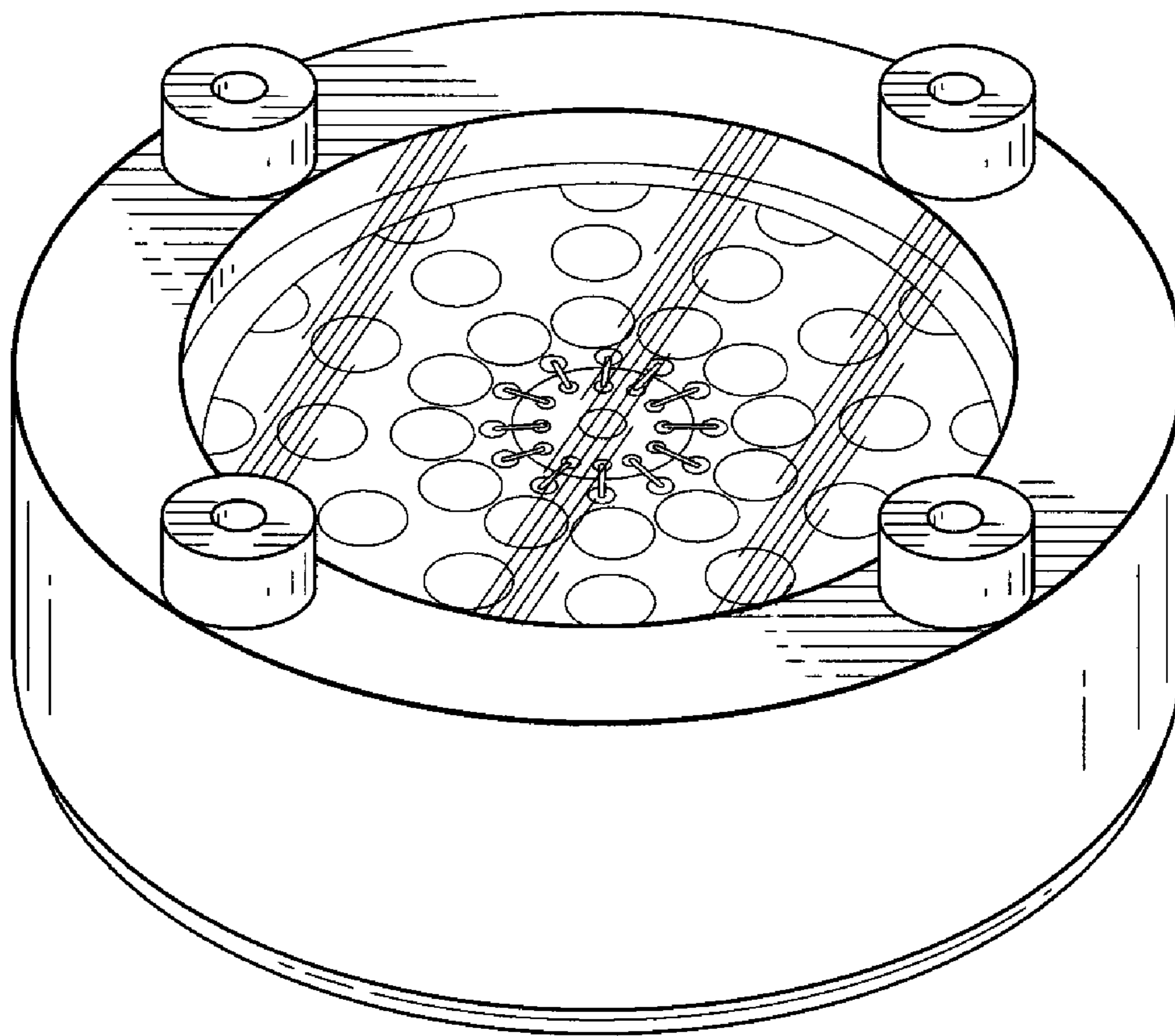
(56) **References Cited**

U.S. PATENT DOCUMENTS

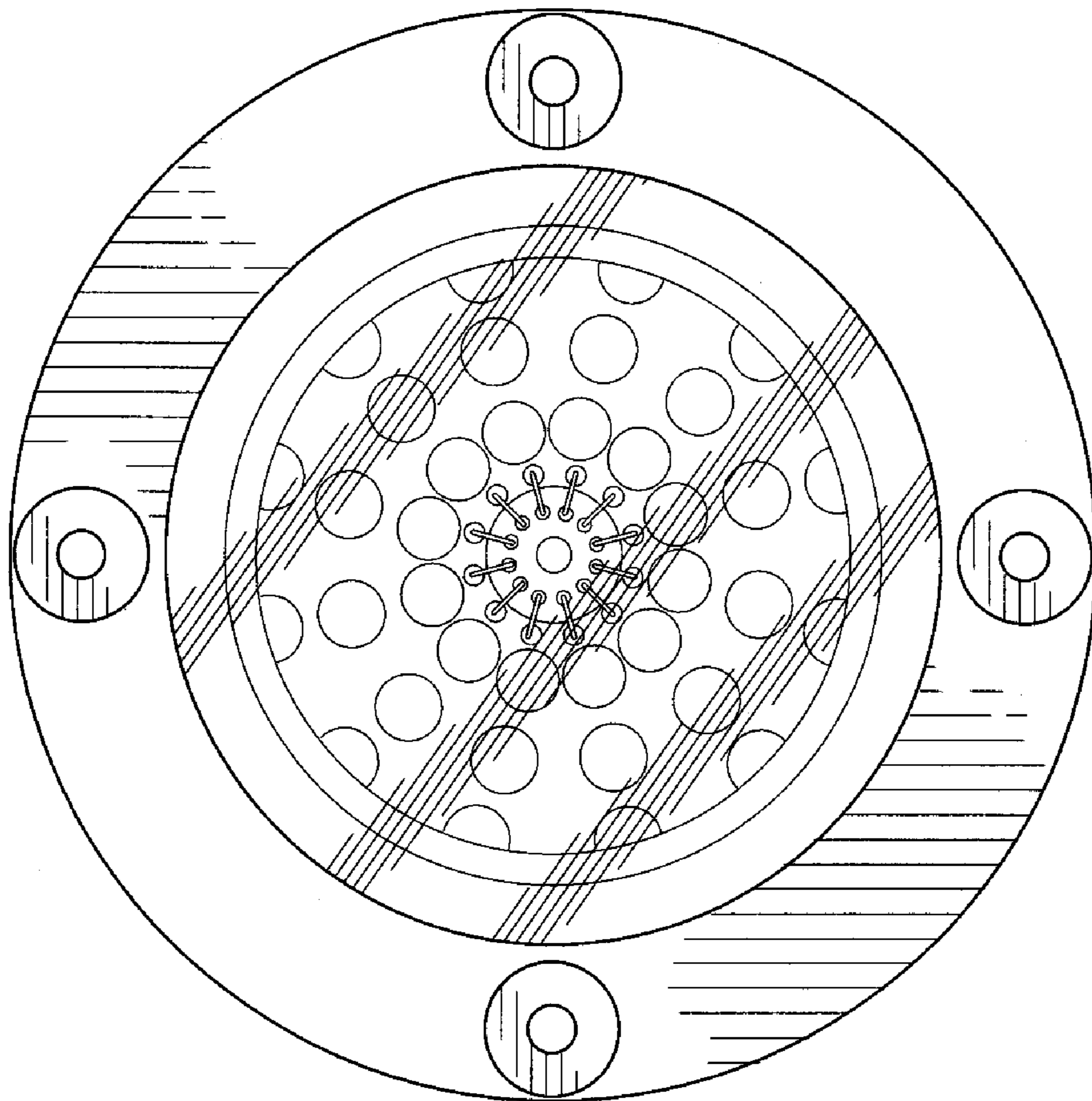
D496,751 S \* 9/2004 Lin ..... D26/85

**1 Claim, 4 Drawing Sheets**

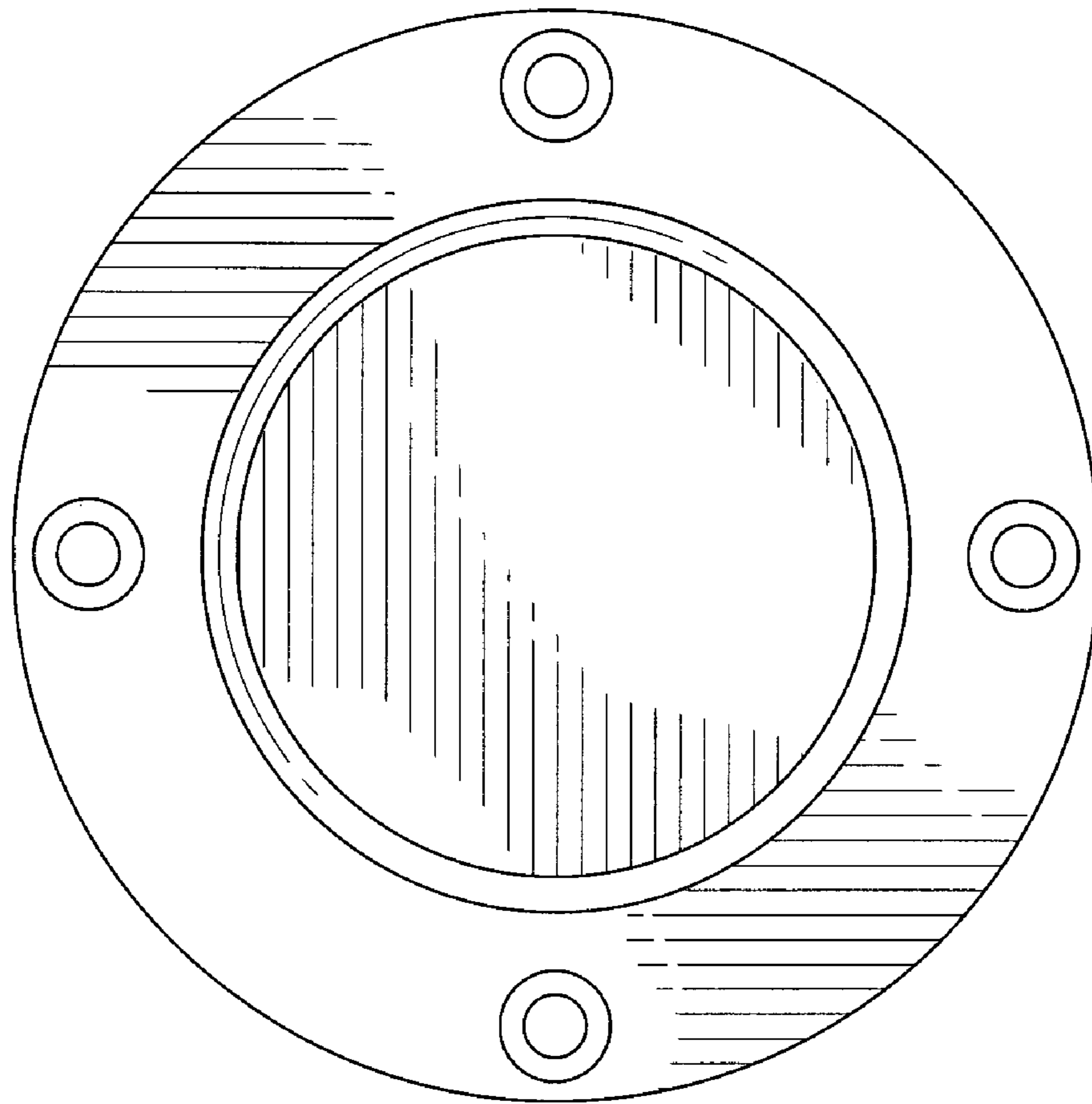




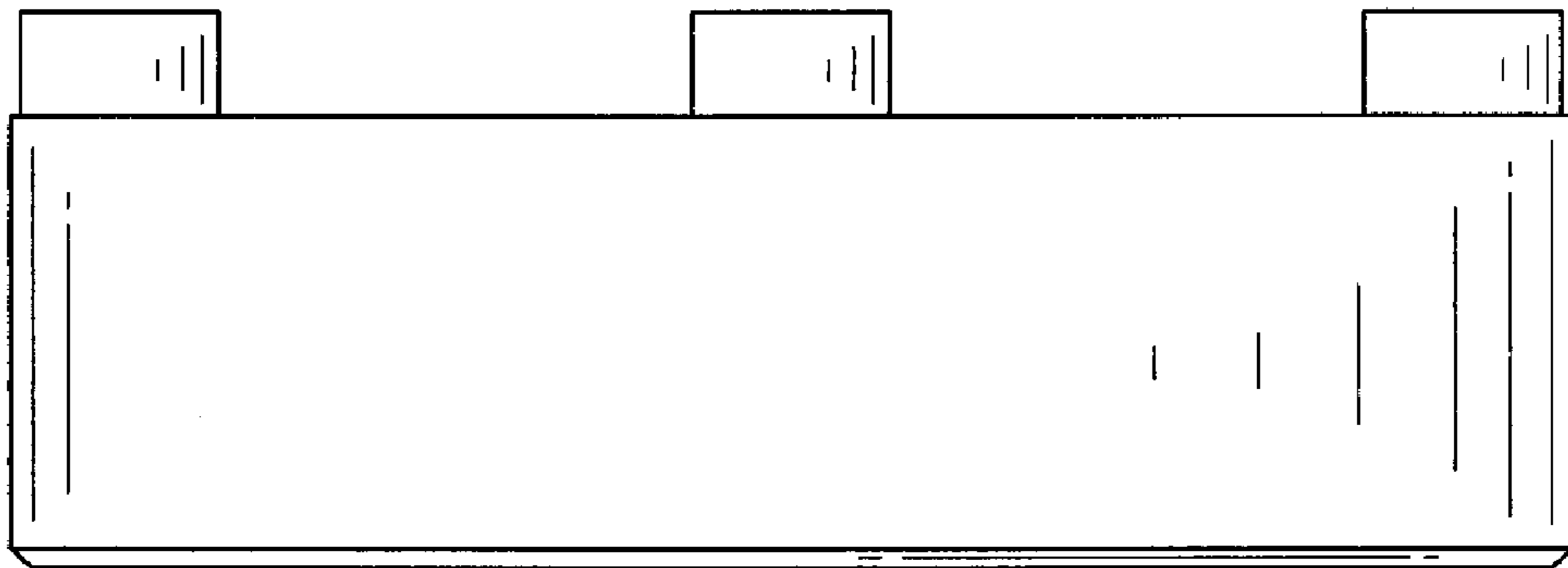
**FIG. 1**



**FIG. 2**



**FIG. 3**



**FIG. 4**