



US00D560820S

(12) **United States Design Patent**
Downey et al.

(10) **Patent No.:** **US D560,820 S**
(45) **Date of Patent:** **** Jan. 29, 2008**

(54) **ARCUATE MOVABLE SHUTTER FOR ARCHITECTURAL OPENINGS**

(75) Inventors: **Joseph M. Downey**, Gilbert, AZ (US);
Michael K. Hansen, Mesa, AZ (US)

(73) Assignee: **Hunter Douglas Inc.**, Upper Saddle River, NJ (US)

(**) Term: **14 Years**

(21) Appl. No.: **29/235,685**

(22) Filed: **Aug. 4, 2005**

(51) **LOC (8) Cl.** **25-02**

(52) **U.S. Cl.** **D25/47**

(58) **Field of Classification Search** D25/47,
D25/49; 160/104; 49/73.1; 52/473, 784.1,
52/656.7, 782.12

See application file for complete search history.

(56) **References Cited**

U.S. PATENT DOCUMENTS

3,075,257	A *	1/1963	Rosen	52/82
D389,690	S *	1/1998	Denson	D6/575
5,782,051	A *	7/1998	LaVoie	52/473
D402,374	S *	12/1998	Kinder	D25/47
6,341,447	B1	1/2002	Jean		
6,758,256	B1	7/2004	Garcia		

* cited by examiner

Primary Examiner—Doris Clark

(74) *Attorney, Agent, or Firm*—Dorsey & Whitney LLP

(57) **CLAIM**

We claim the ornamental design for an arcuate movable shutter for architectural openings, as shown and described.

DESCRIPTION

FIG. 1 is a perspective view of the arcuate movable shutter for architectural openings in closed position.

FIG. 2 is a front elevation view thereof;

FIG. 3 is a perspective view with the vanes in a 45 degree position;

FIG. 4 is a front elevation view thereof;

FIG. 5 is a top plan view thereof;

FIG. 6 is a right side elevation view thereof;

FIG. 7 is a bottom plan view thereof;

FIG. 8 is a perspective view with the vanes in fully opened 90 degree position;

FIG. 9 is a front elevation view thereof;

FIG. 10 is a top plan view thereof;

FIG. 11 is a right side elevation view thereof;

FIG. 12 is a bottom plan view thereof;

FIG. 13 is an enlarged top perspective view of a vane;

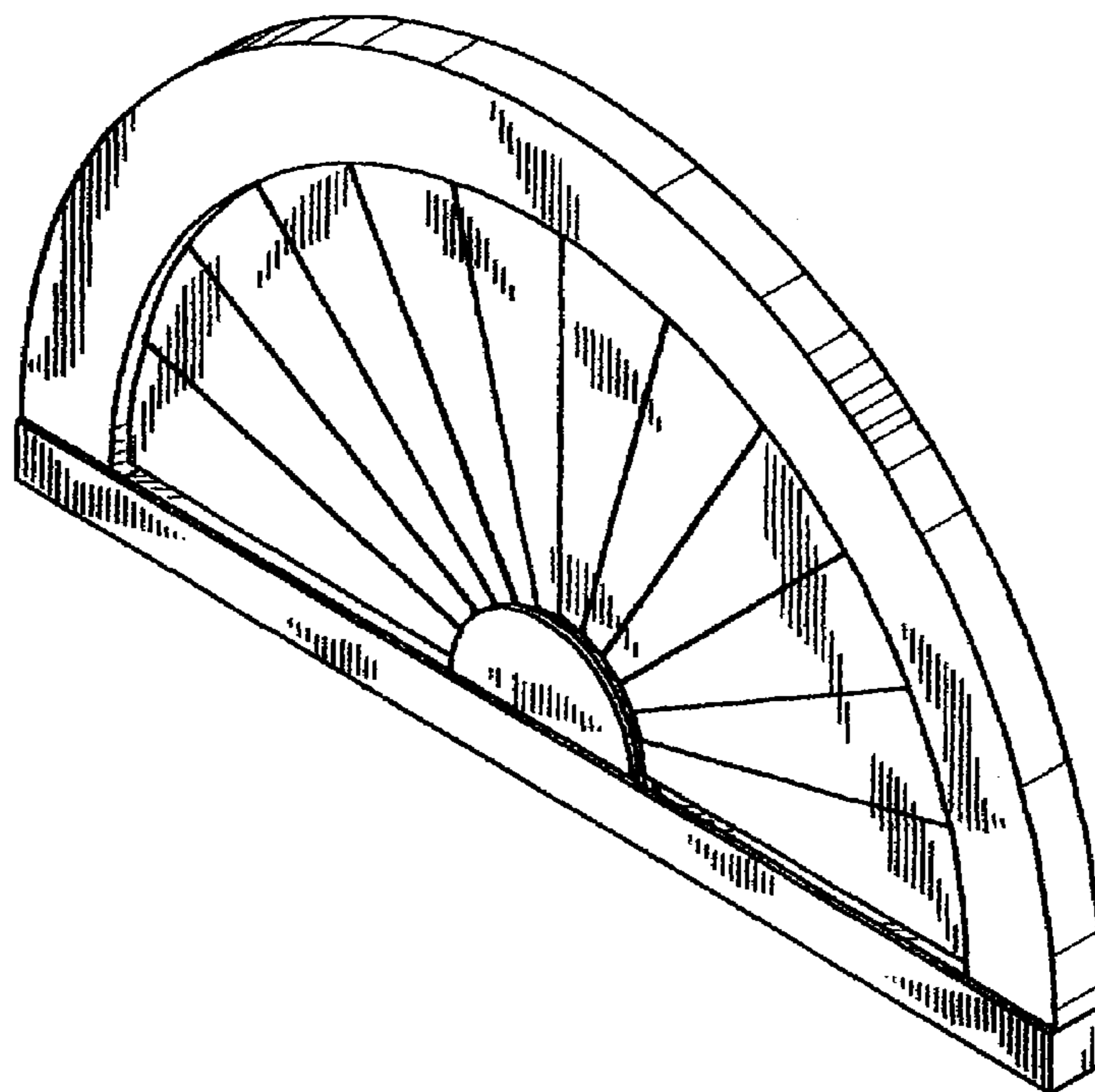
FIG. 14 is an enlarged bottom perspective view thereof;

FIG. 15 is an enlarged front elevation view of a vane;

FIG. 16 is a top plan view thereof; the broken lines are for illustrative purposes only and form no part of the claimed design; and,

FIG. 17 is an enlarged bottom plan view thereof.

1 Claim, 7 Drawing Sheets



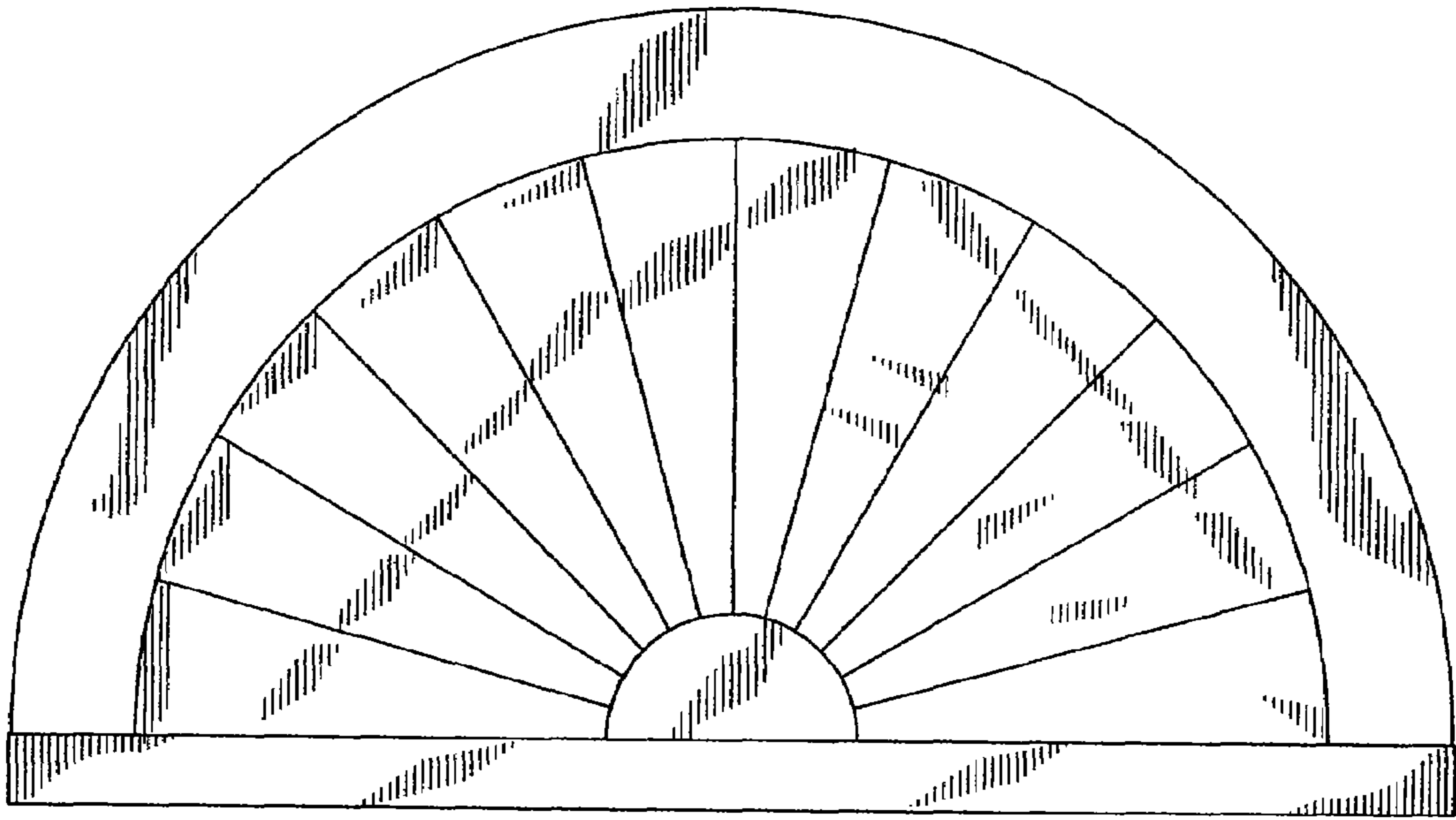


Fig. 2

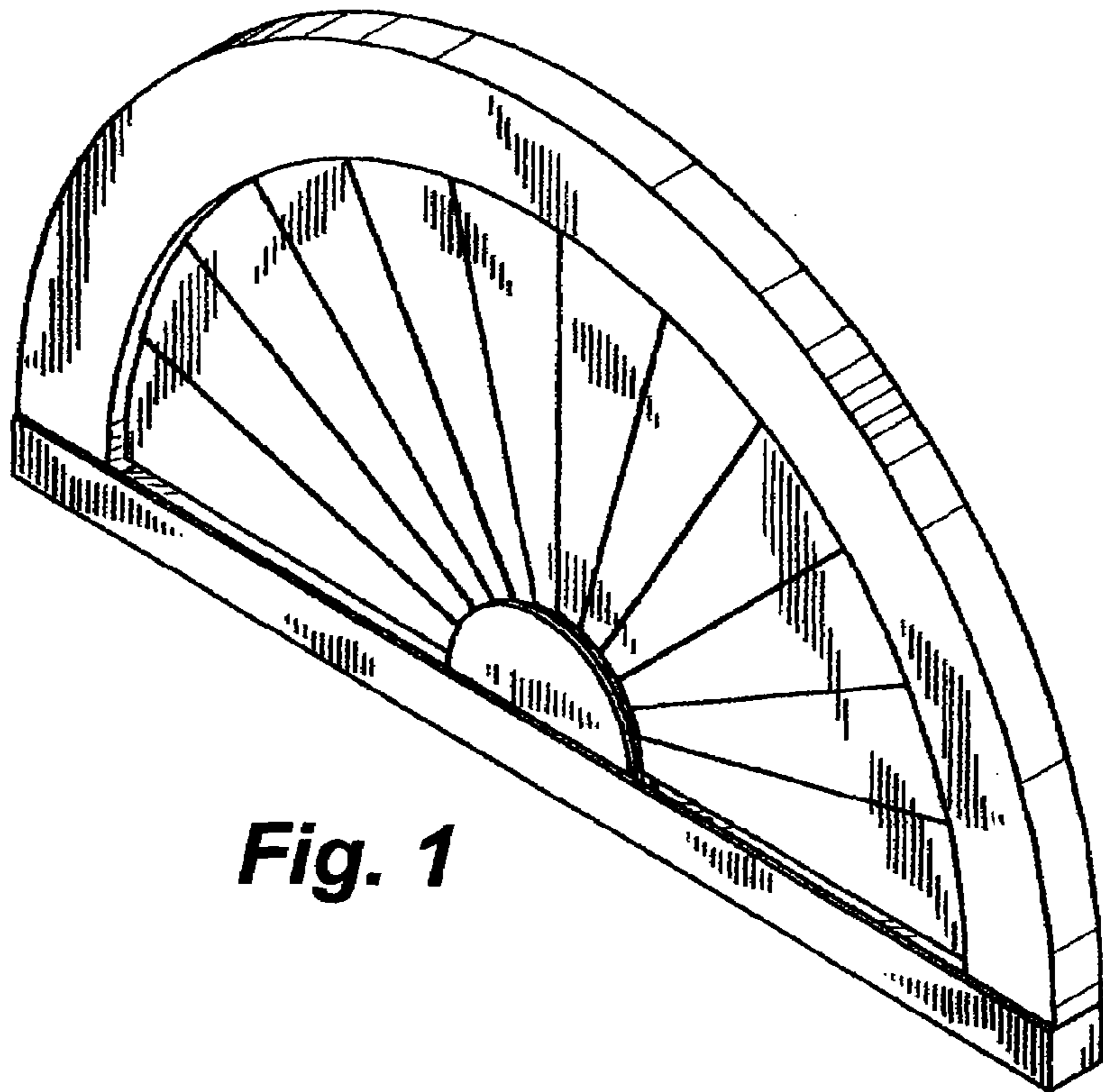


Fig. 1

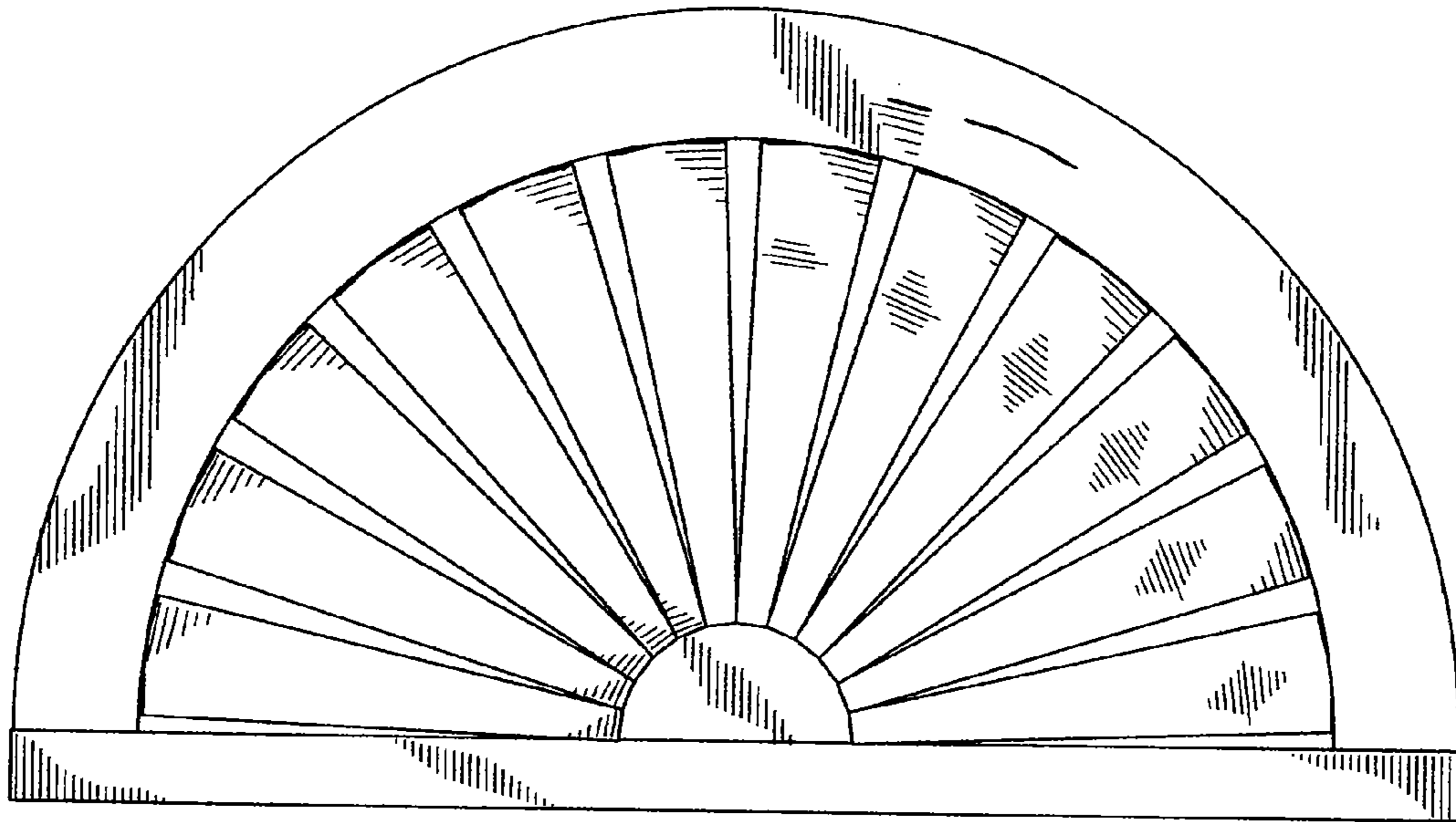


Fig. 4

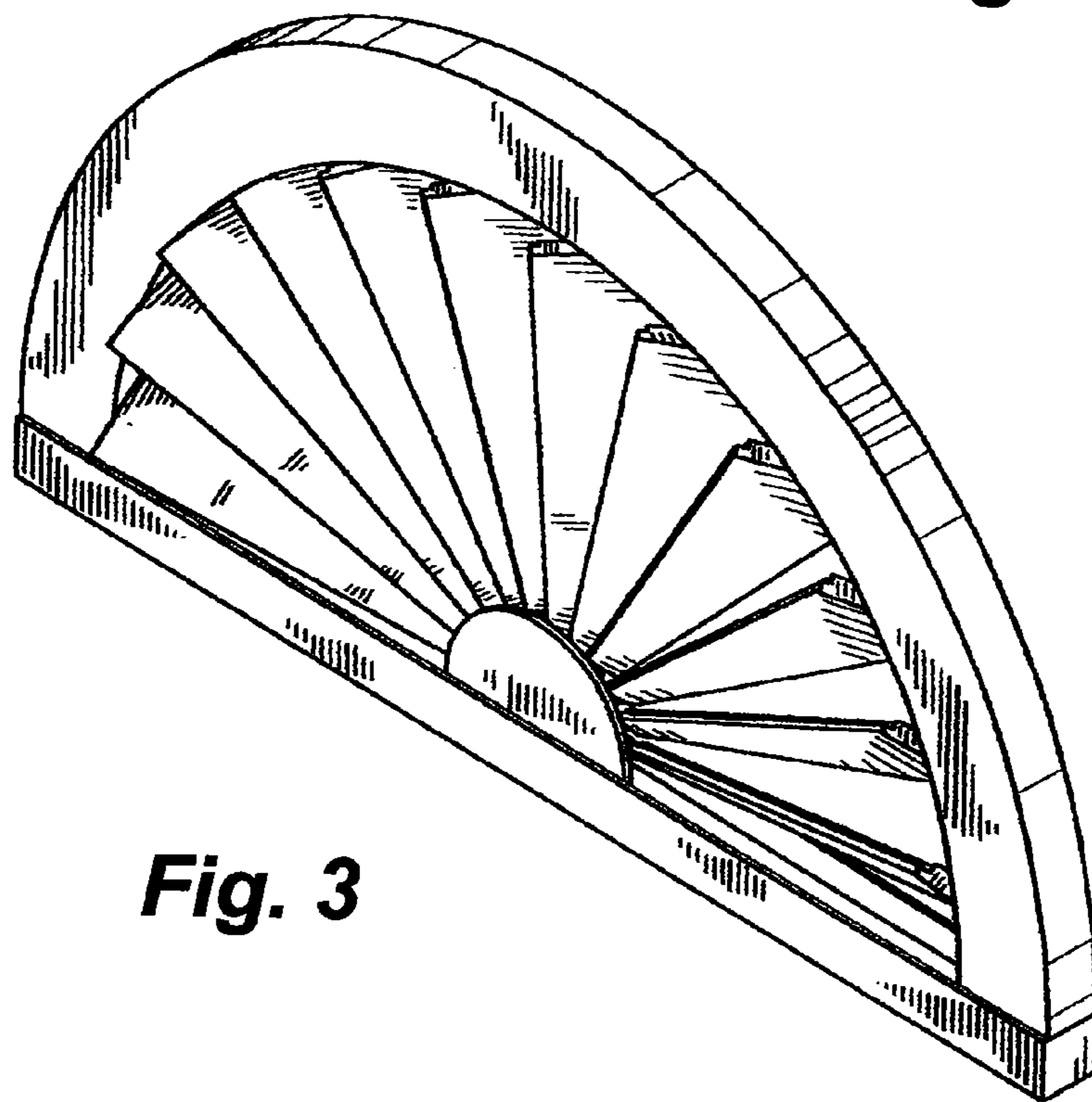


Fig. 3

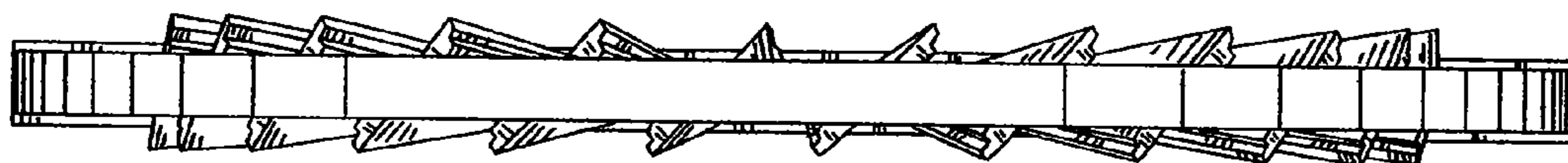


Fig. 5

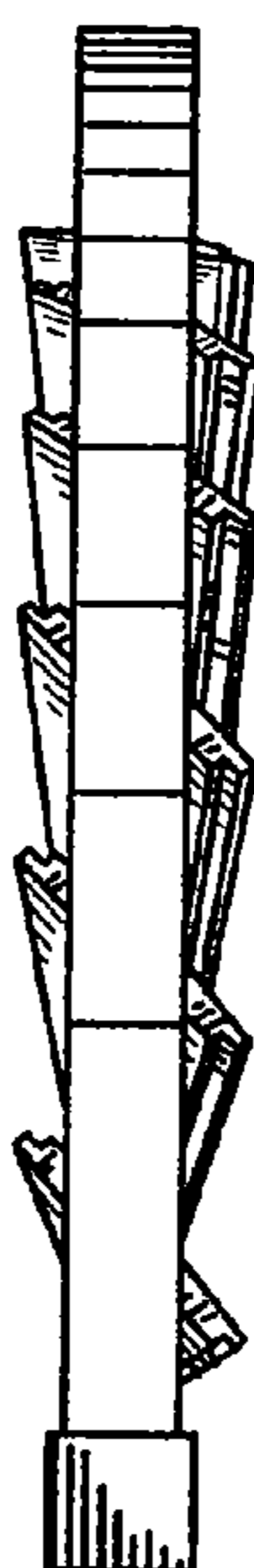


Fig. 6

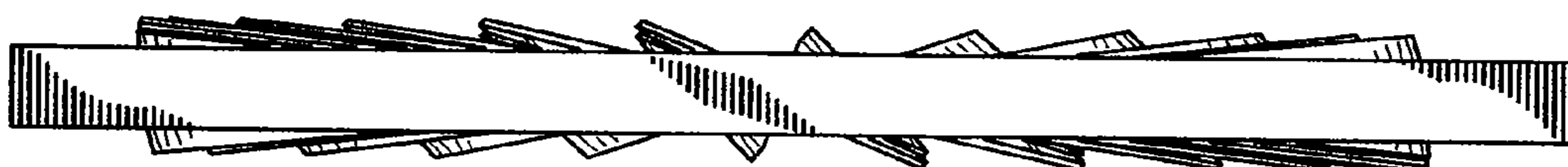


Fig. 7

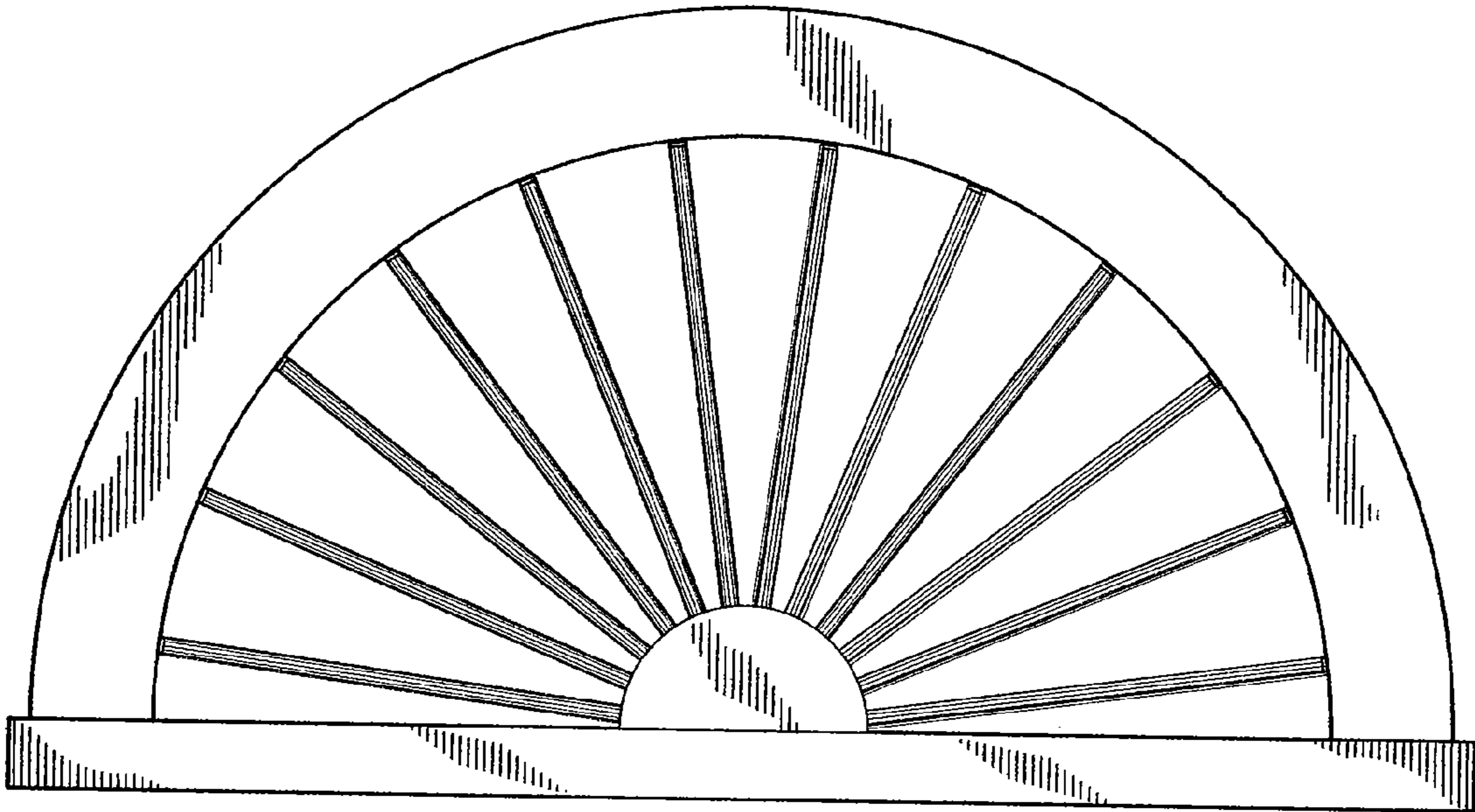


Fig. 9

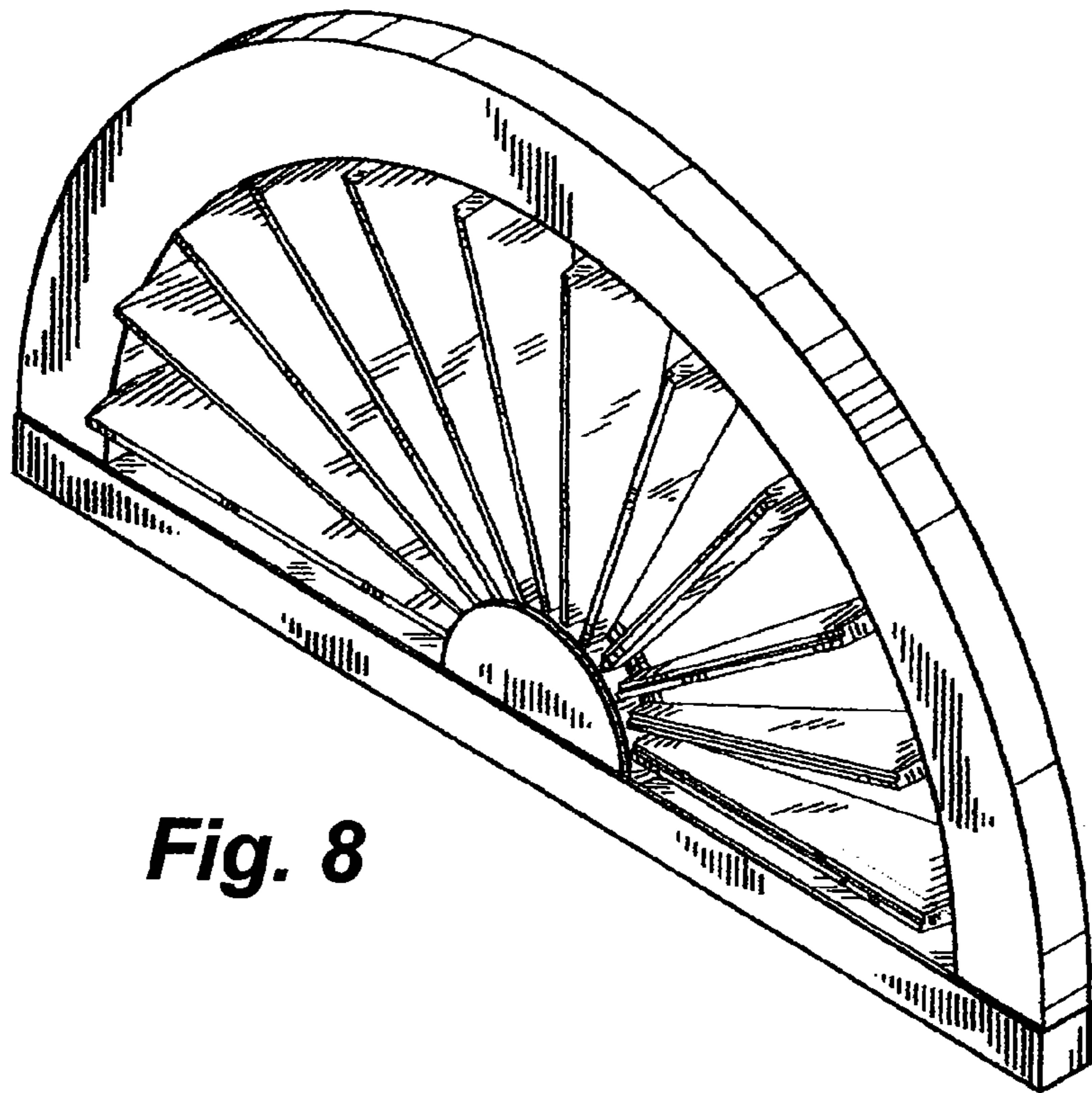


Fig. 8

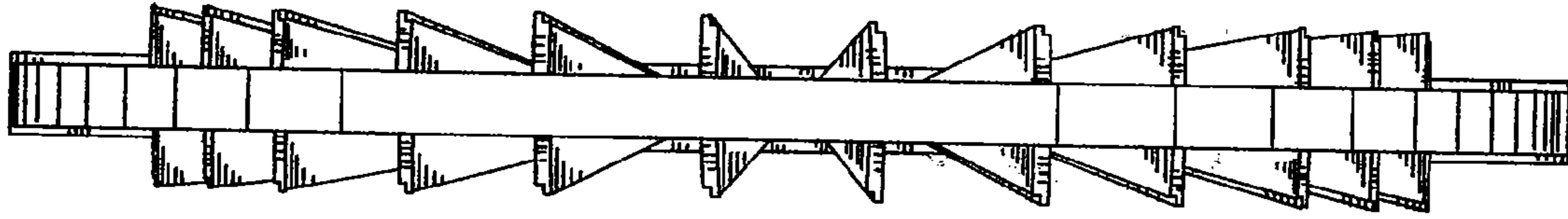


Fig. 10

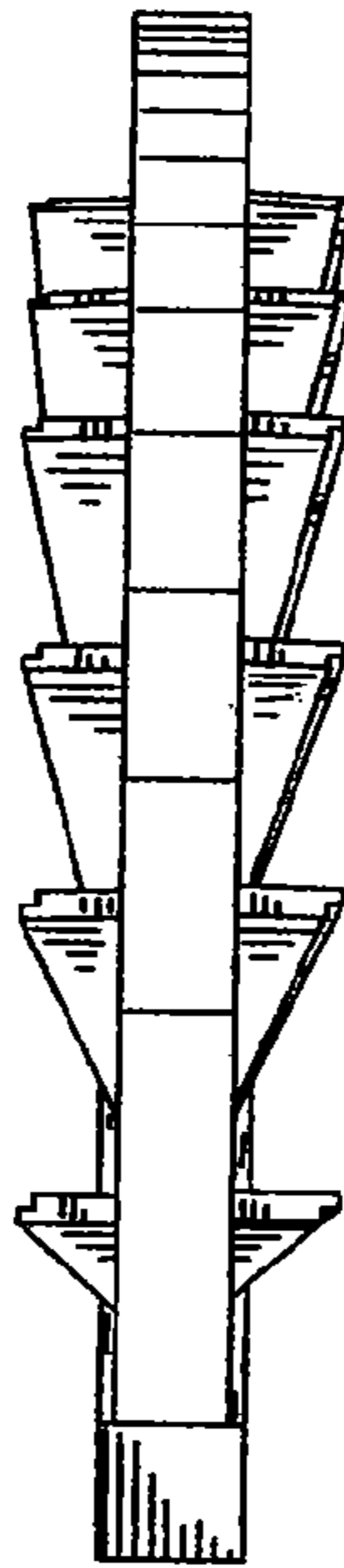


Fig. 11

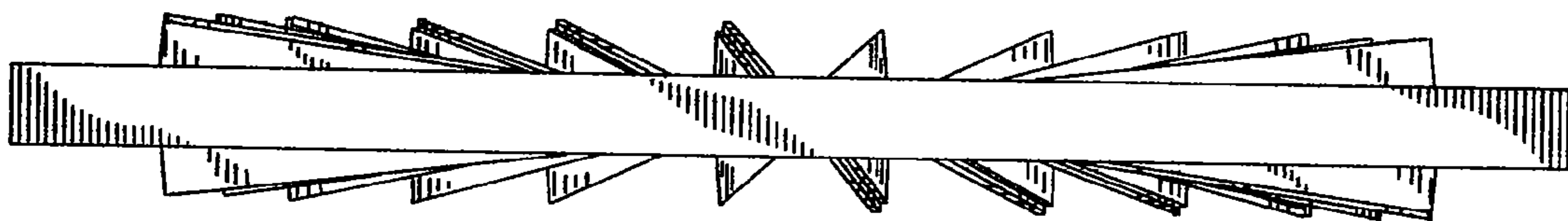


Fig. 12

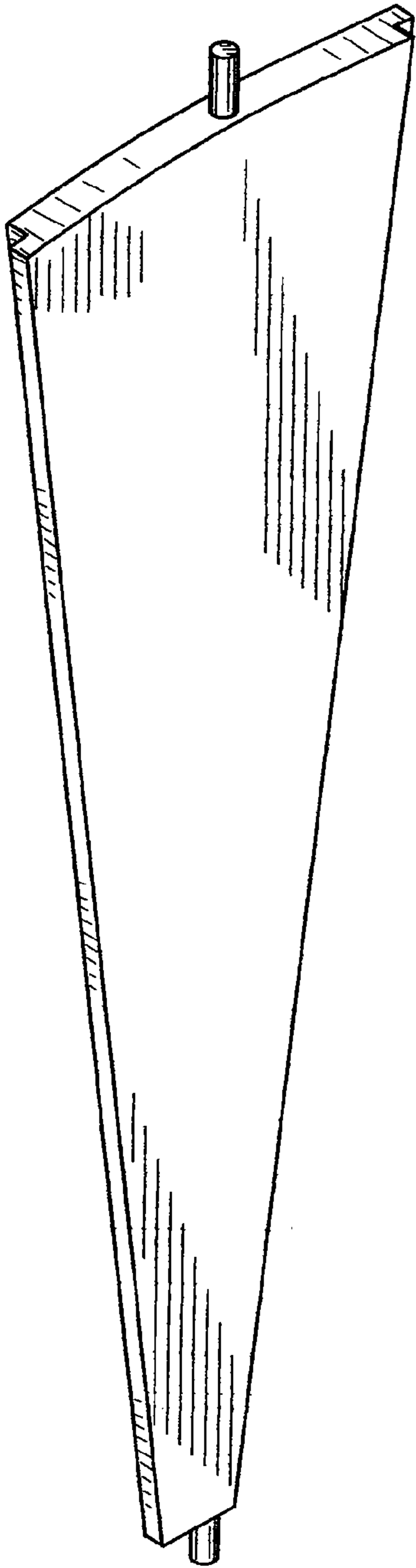


Fig. 13

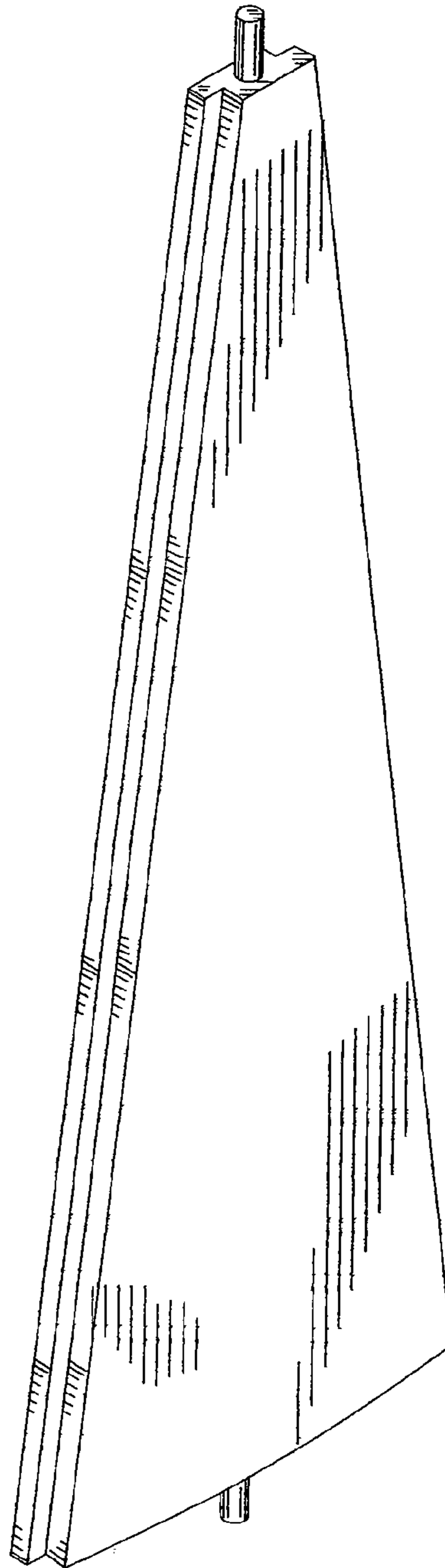


Fig. 14

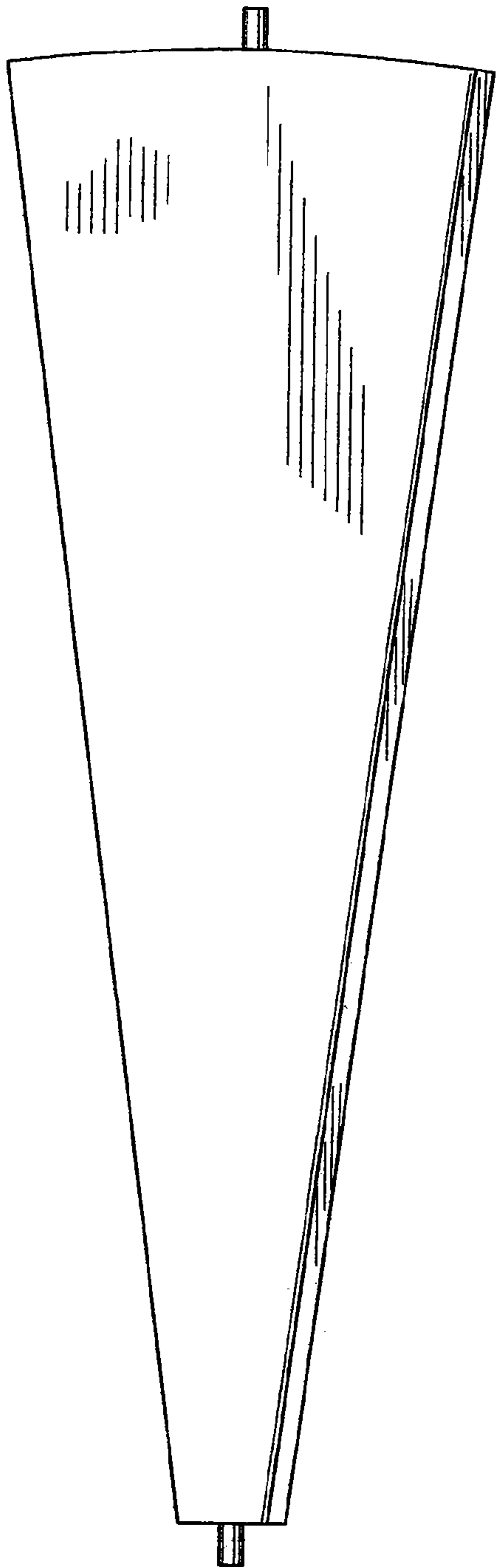


Fig. 15

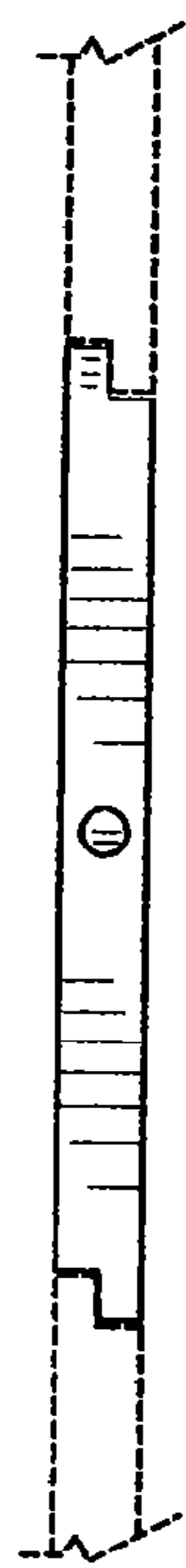


Fig. 16



Fig. 17