



US00D560817S

(12) **United States Design Patent**
Qian et al.

(10) **Patent No.:** **US D560,817 S**
(45) **Date of Patent:** **** Jan. 29, 2008**

(54) **PACKAGE AND HOLDER FOR REAGENT TUBES**

(57) **CLAIM**

(76) Inventors: **Mingwei Qian**, 203 Hockessin Cir.,
Hockessin, DE (US) 19707-2075;
Haizhang Li, 866 Oak Chase Dr.,
Orlando, FL (US) 32828

The ornamental design for a package and holder for reagent tubes, as shown.

(**) Term: **14 Years**

DESCRIPTION

(21) Appl. No.: **29/286,300**

FIG. 1 is a top perspective view of a package and holder for reagent tubes, which is open with two cover plates folding down and being locked into a low supporting position, showing our new design;

(22) Filed: **May 2, 2007**

(51) **LOC (8) Cl.** **24-02**

FIG. 2 is a top perspective view of a package and holder for reagent tubes, with two cover plates folding down and being locked into a low supporting position, and with the holder rack taken out from the case;

(52) **U.S. Cl.** **D24/229**

(58) **Field of Classification Search** D24/156,
D24/216-232; 206/368-369, 379; 211/69-70;
422/297, 300; 433/77

See application file for complete search history.

FIG. 3 is a top perspective view of a package and holder for reagent tubes, which is open with two cover plates folding down and being locked into a position parallel to the bottom surface of the package;

(56) **References Cited**

U.S. PATENT DOCUMENTS

2,902,170	A *	9/1959	Miller	206/379
D273,985	S *	5/1984	Schulstad	D24/227
5,006,066	A *	4/1991	Rouse	433/77
5,108,287	A *	4/1992	Yee et al.	433/77
5,148,914	A *	9/1992	Budert et al.	206/379
5,312,250	A *	5/1994	Ellman et al.	433/77
5,775,499	A *	7/1998	Budert	211/69
6,024,218	A *	2/2000	Knoblauch	211/69
6,050,409	A *	4/2000	Delbeck et al.	206/379
6,131,740	A *	10/2000	Huang	206/759
6,547,074	B1 *	4/2003	Chen	206/379
6,988,616	B2 *	1/2006	Chen	206/379

* cited by examiner

FIG. 4 is a top perspective view of a package and holder for reagent tubes, which is closed;

FIG. 5 is a front elevational view thereof, the opposite side being a mirror image thereof;

FIG. 6 is a top view thereof;

FIG. 7 is a bottom plan view thereof;

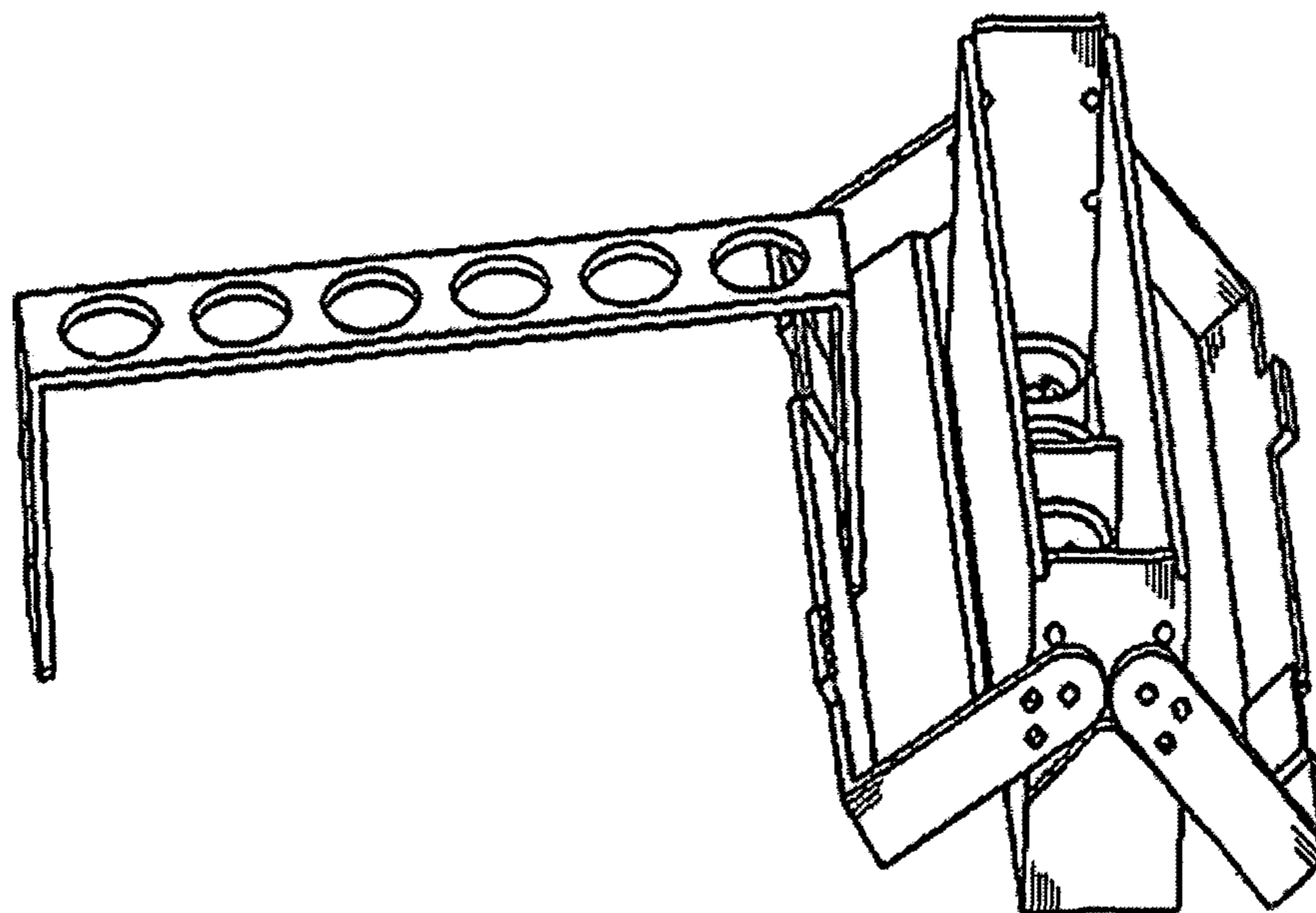
FIG. 8 is a side elevational view, the opposite side being a mirror image thereof; and,

FIG. 9 is a cross-sectional view along line A—A of FIG. 8; and,

FIG. 10 is a top perspective view of the base board of the holder.

Primary Examiner—Robert A. Delehanty
Assistant Examiner—Mark Cavanna

1 Claim, 4 Drawing Sheets



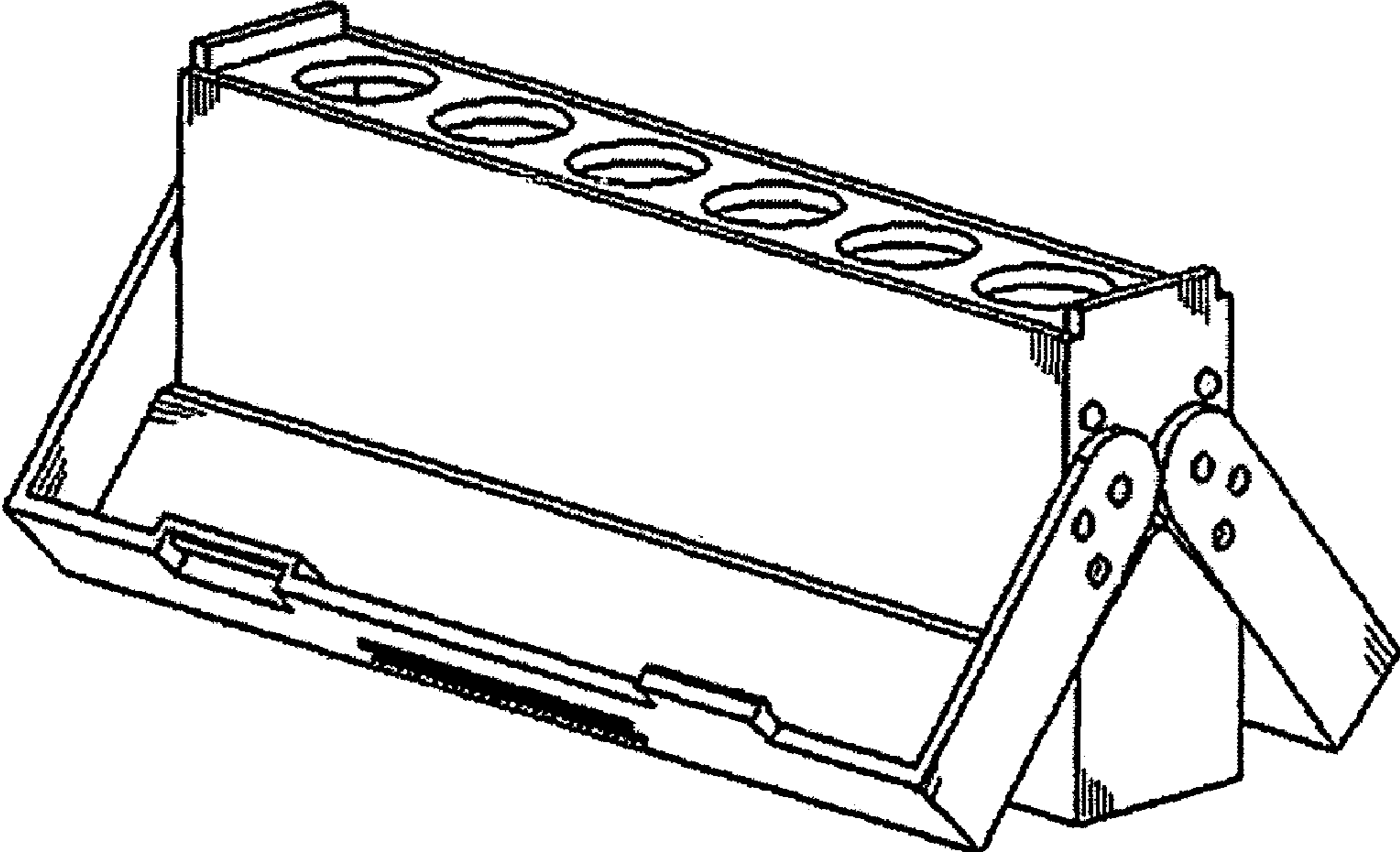


FIG 1

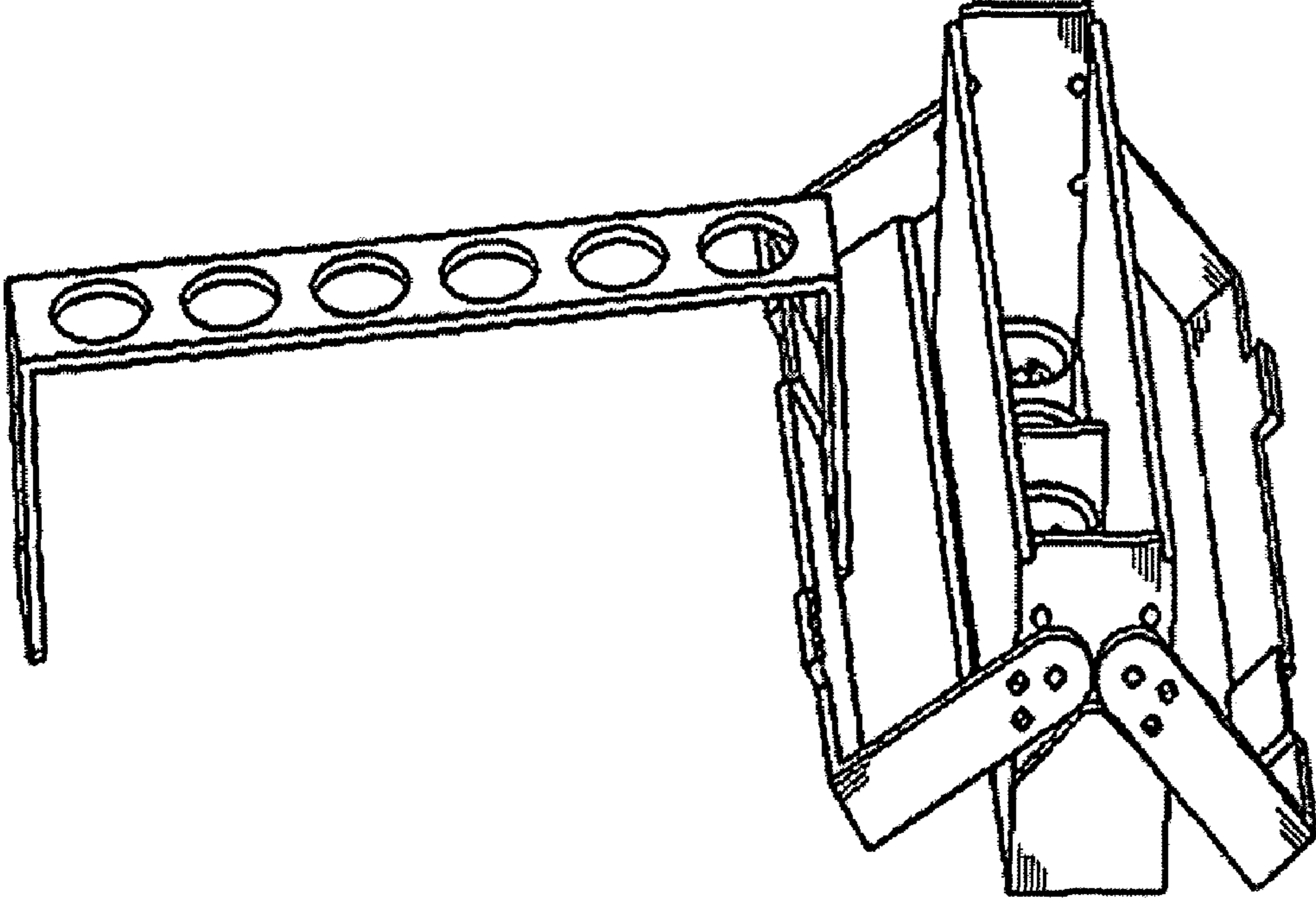


FIG 2

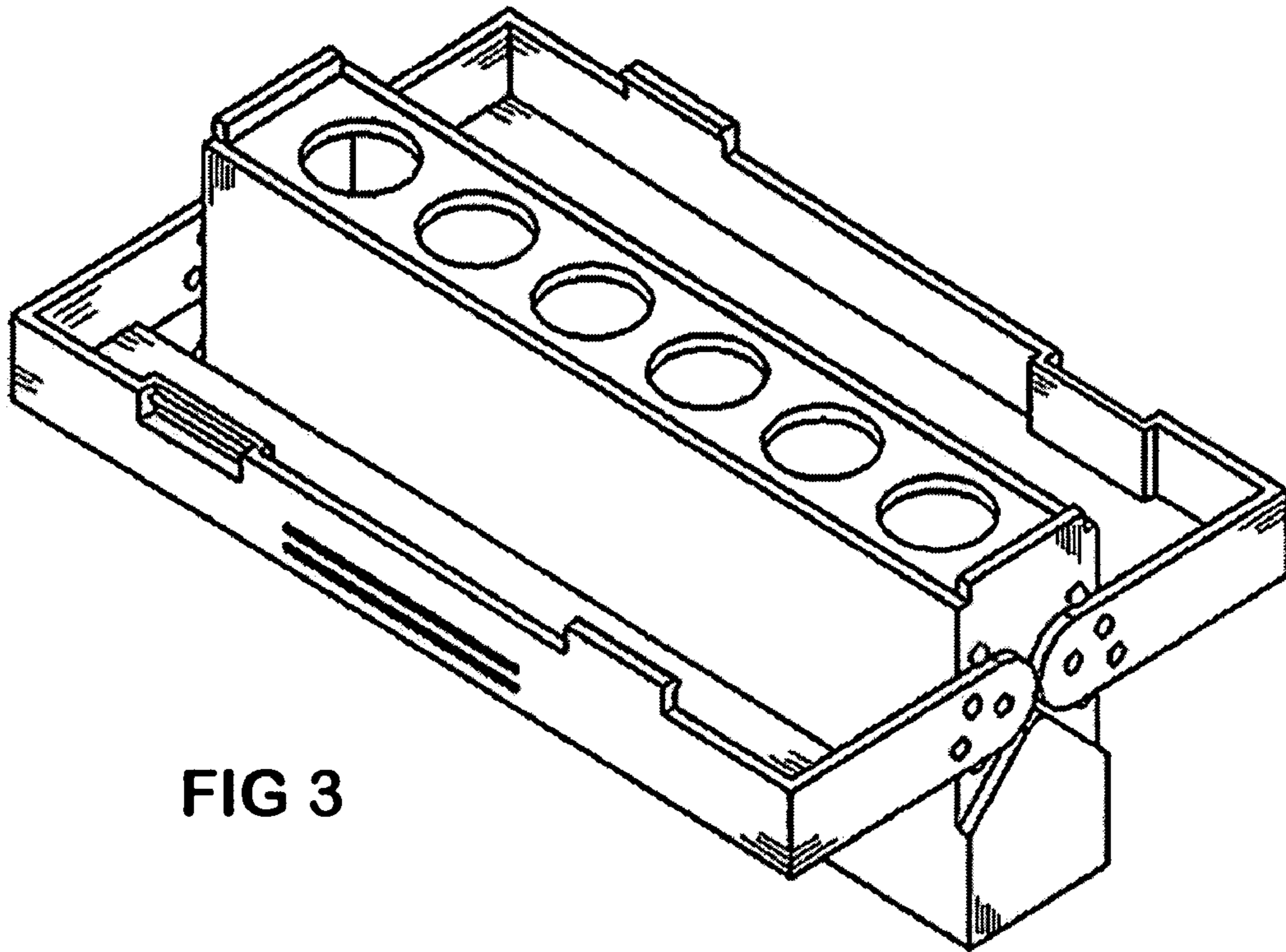


FIG 3

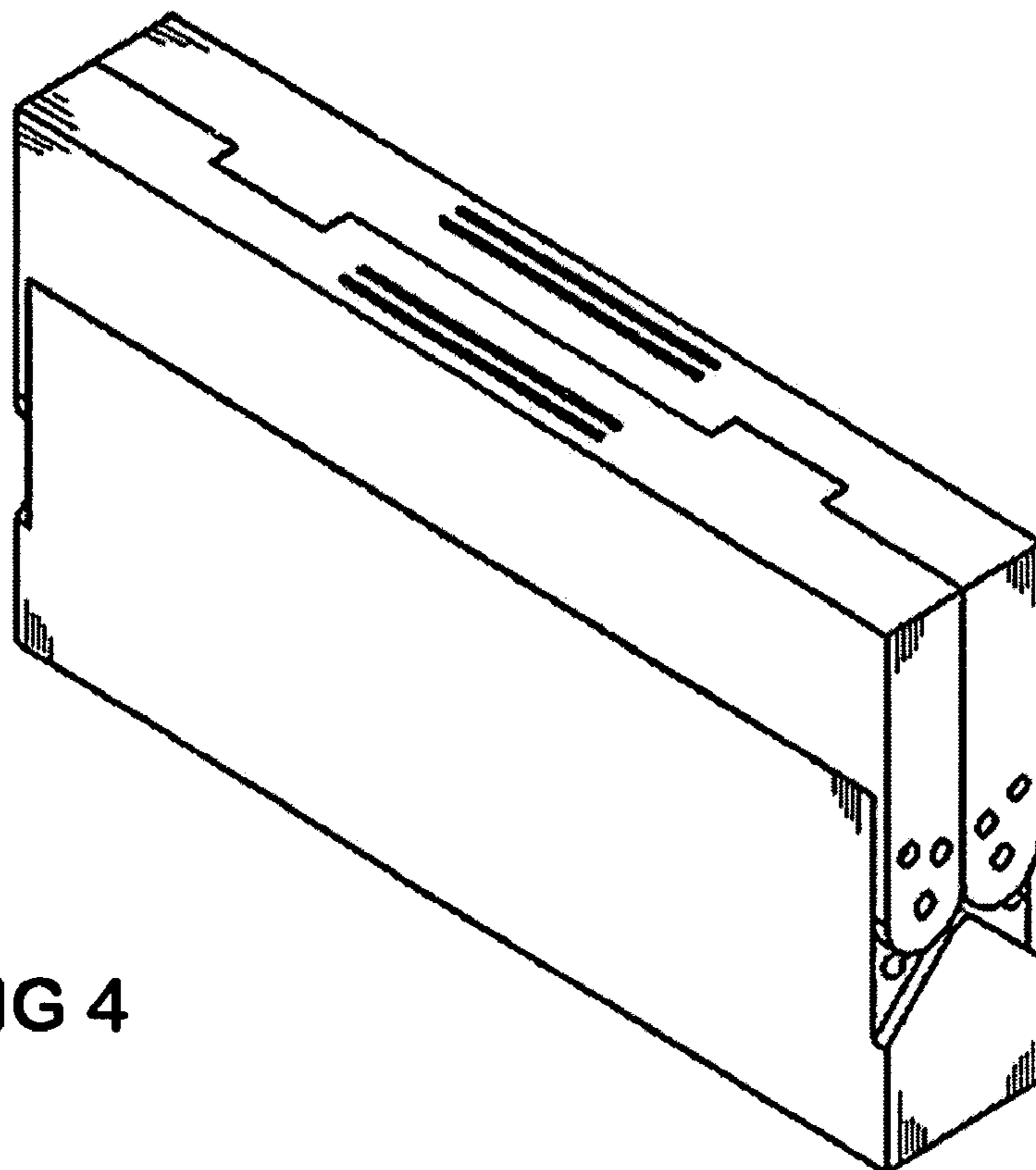


FIG 4

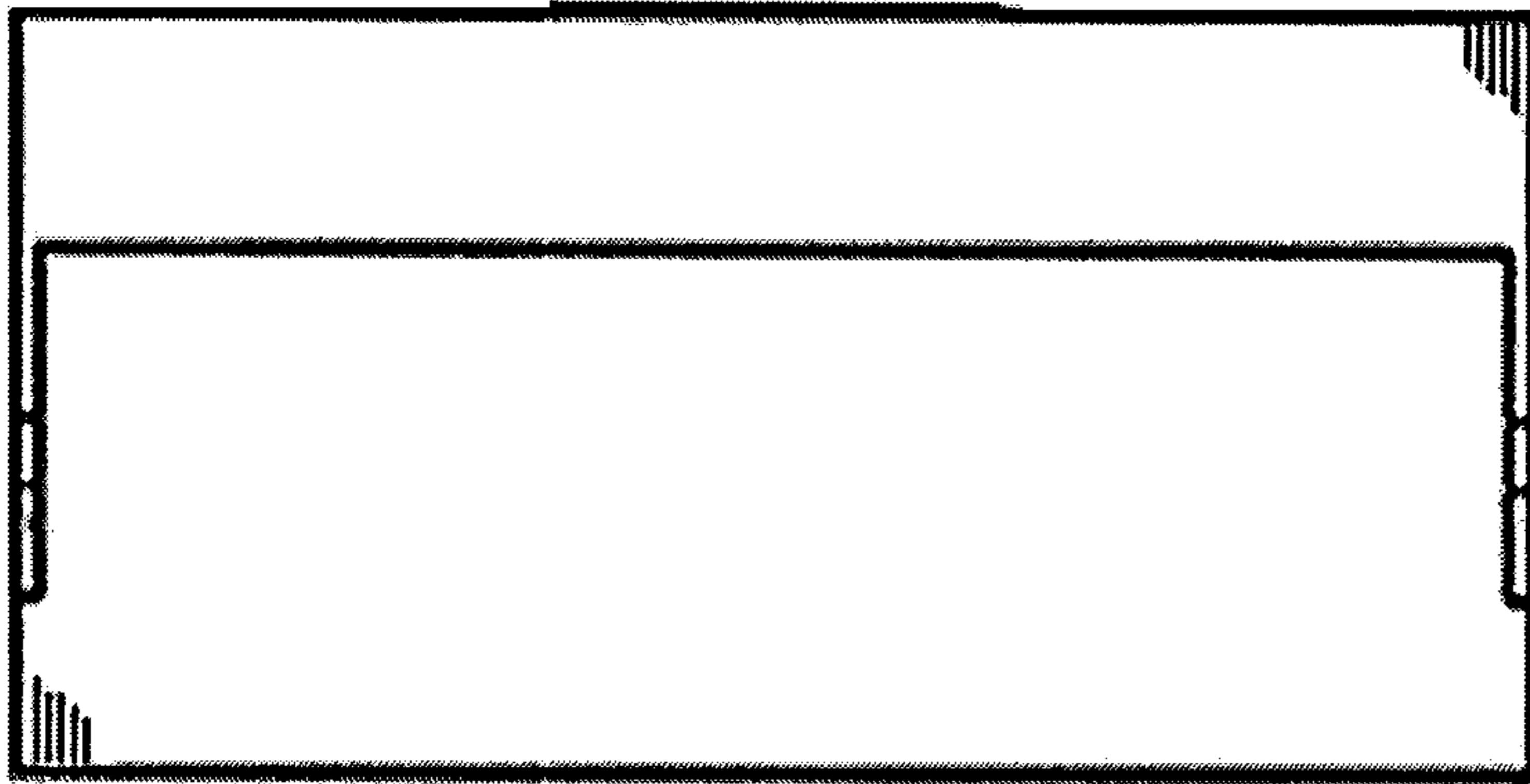


FIG 5

FIG 6

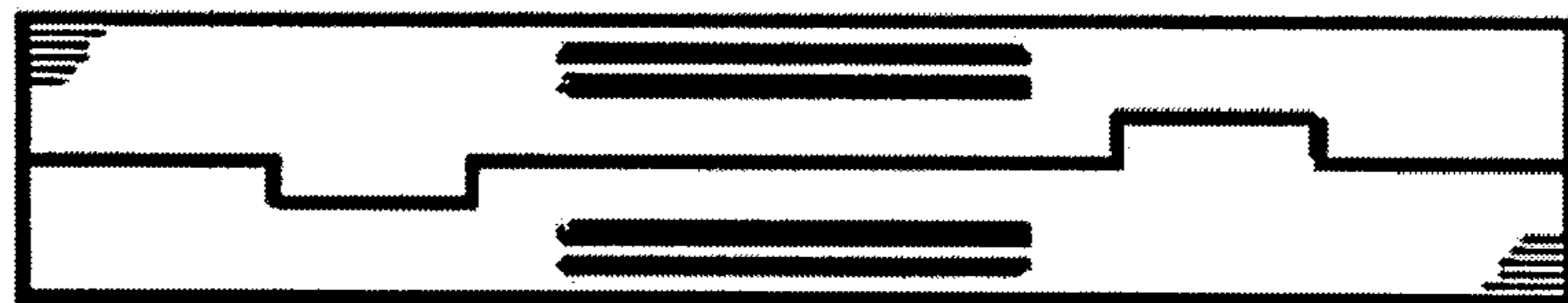
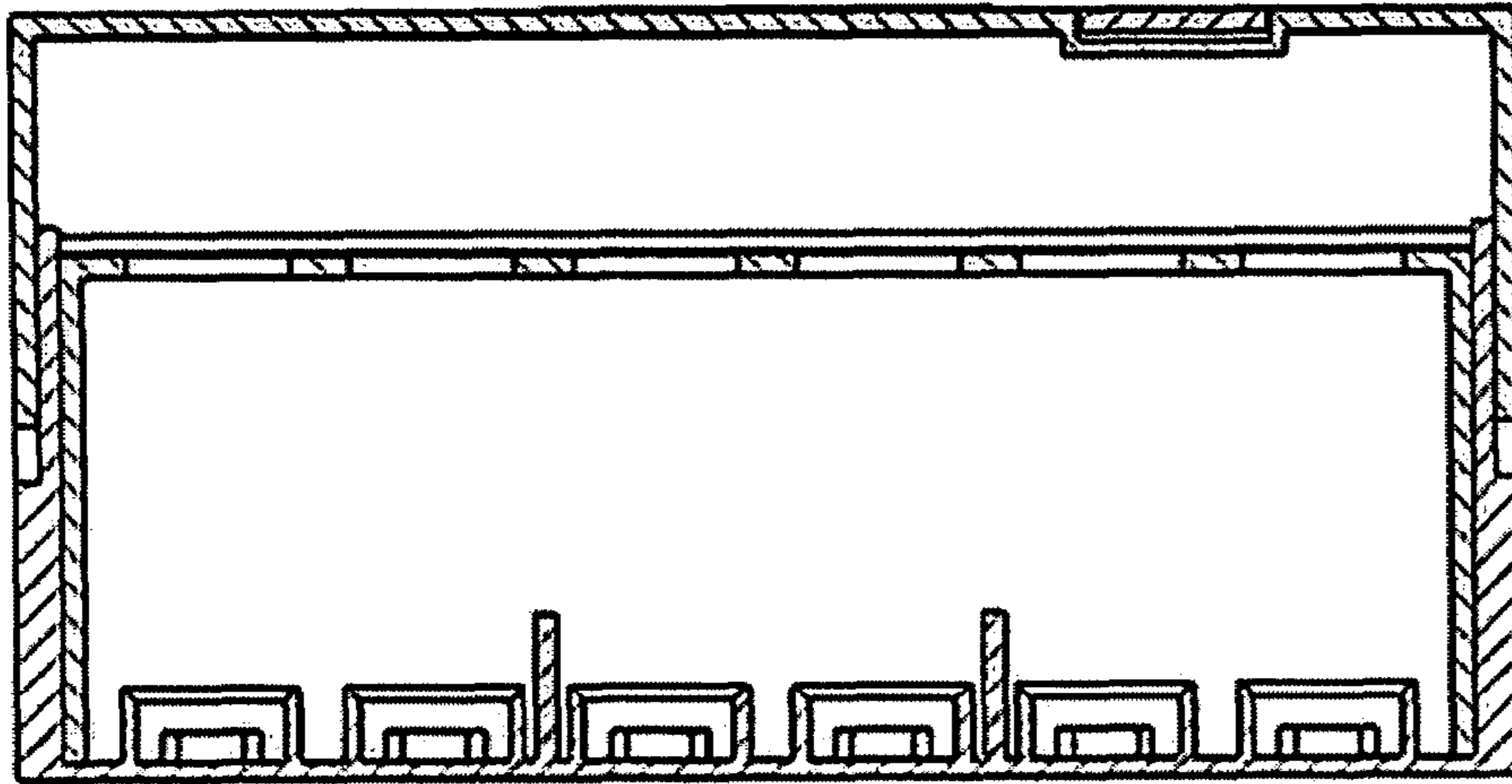


FIG 7



SECTION A-A

FIG 9

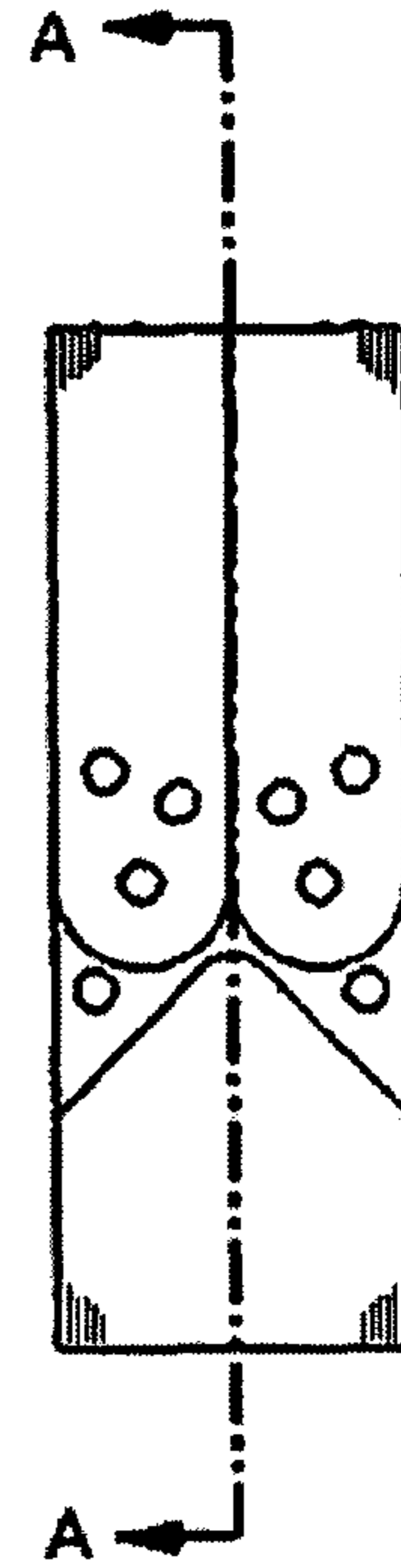


FIG 8

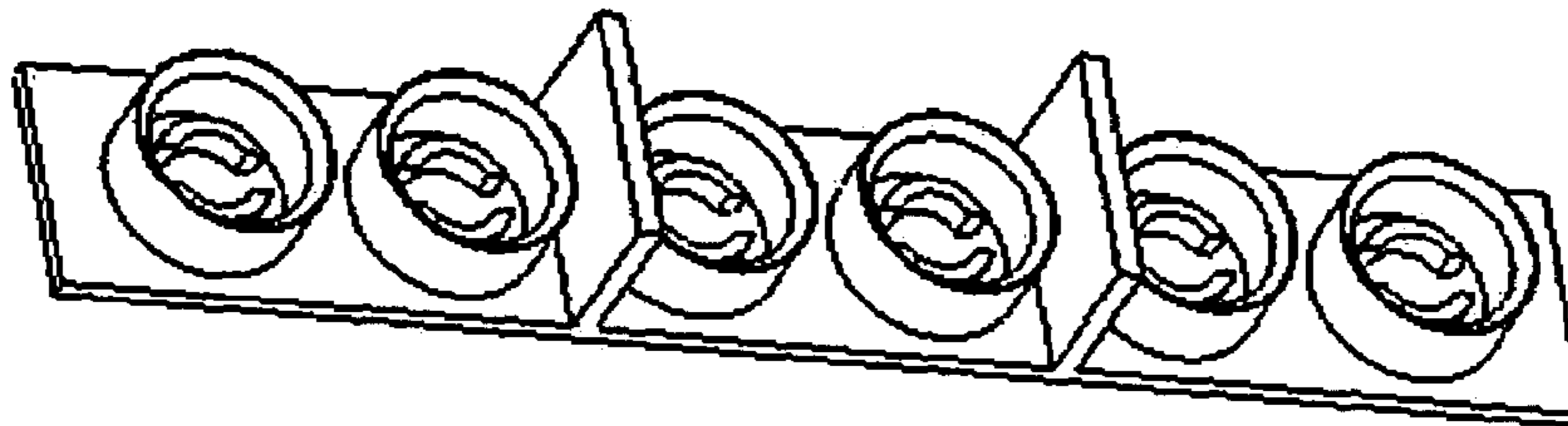


FIG 10