

US00D560807S

(12) **United States Design Patent**  
**Kitayama et al.**

(10) **Patent No.:** **US D560,807 S**  
(45) **Date of Patent:** **\*\* Jan. 29, 2008**

(54) **MEASURING APPARATUS FOR AN  
ULTRASONIC DIAGNOSIS APPARATUS**

JP	D1033863	3/1999
JP	D1034301	3/1999
JP	D1124422	10/2001
JP	D1127617	12/2001
JP	D1240494	5/2005

(75) Inventors: **Masahiko Kitayama**, Mitaka (JP);  
**Shigeru Otoha**, Tokyo (JP)

(73) Assignees: **Kabushiki Kaisha Toshiba** (JP);  
**Toshiba Medical Systems Corporation**  
(JP)

(\*\*) Term: **14 Years**

(21) Appl. No.: **29/262,530**

(22) Filed: **Jul. 6, 2006**

(30) **Foreign Application Priority Data**

Feb. 20, 2006 (JP) ..... 2006-003824

(51) **LOC (8) Cl.** ..... **24-01**

(52) **U.S. Cl.** ..... **D24/158**

(58) **Field of Classification Search** ..... D10/46;  
D24/158, 160; 128/915, 916; 600/437-467  
See application file for complete search history.

(56) **References Cited**

**U.S. PATENT DOCUMENTS**

D313,405 S	1/1991	Barry et al.
D480,810 S	10/2003	Gumisawa
D512,508 S	12/2005	Mesaros
D529,611 S	10/2006	Gumisawa et al.

**FOREIGN PATENT DOCUMENTS**

CN 3451577D 6/2005

**OTHER PUBLICATIONS**

Extract of Nikkei Sangyo Shimbun (Newspaper) showing an ultra-  
sonic diagnosis apparatus (iU22), Jul. 23, 2004.

*Primary Examiner*—Antoine D. Davis  
(74) *Attorney, Agent, or Firm*—Banner & Witcoff, Ltd.

(57) **CLAIM**

The ornamental design for a measuring apparatus for an  
ultrasonic diagnosis apparatus, as shown and described.

**DESCRIPTION**

FIG. 1 is a front, top and right side perspective view of a  
measuring apparatus for an ultrasonic diagnosis apparatus,  
showing our new design;

FIG. 2 is a rear, top and left side perspective view thereof  
with a door opened and with a disk tray drawn out;

FIG. 3 is a front elevational view thereof;

FIG. 4 is a rear elevational view thereof;

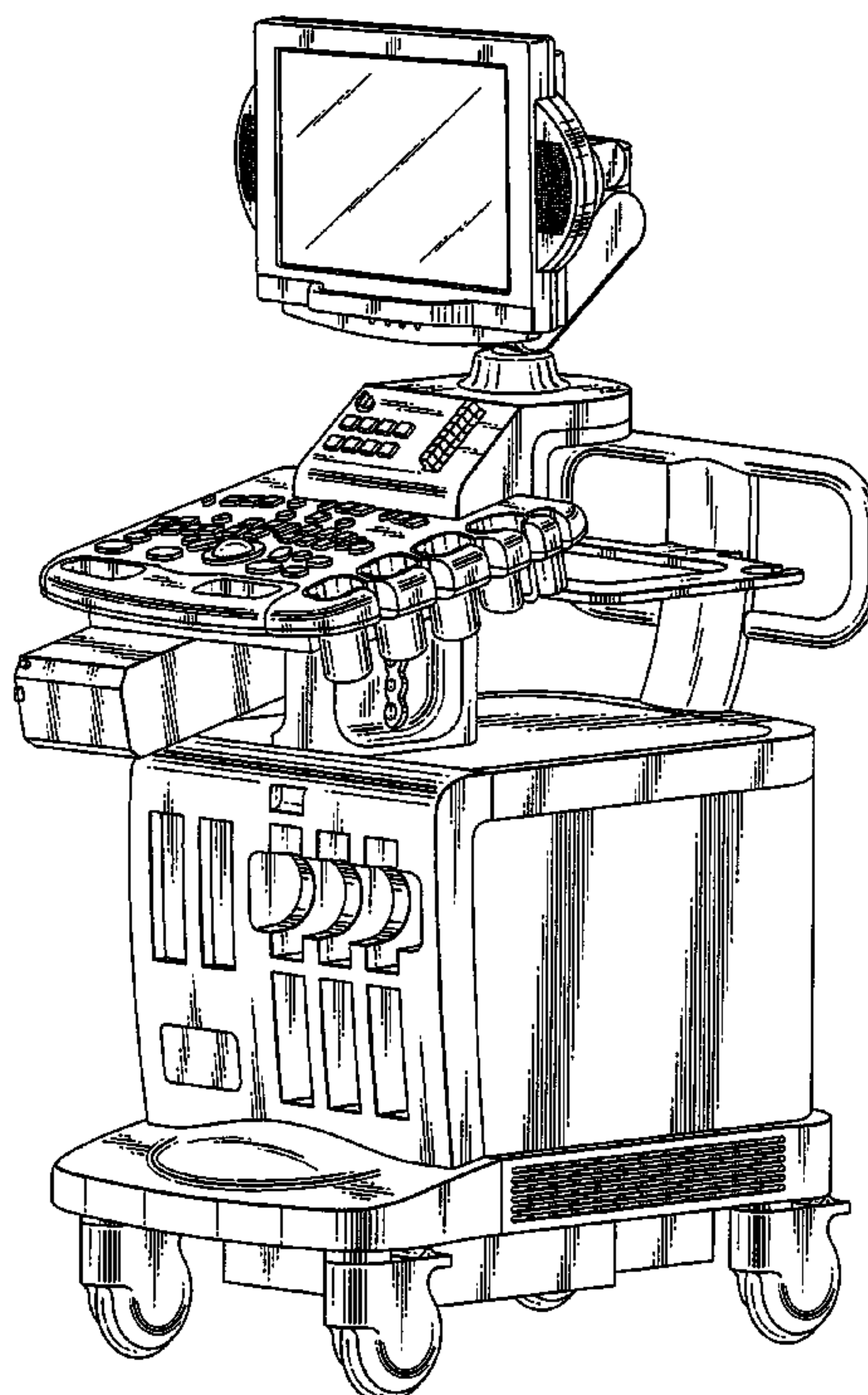
FIG. 5 is a top plan view thereof;

FIG. 6 is a bottom plan view thereof;

FIG. 7 is a right side elevational view thereof; and,

FIG. 8 is a left side elevational view thereof.

**1 Claim, 6 Drawing Sheets**



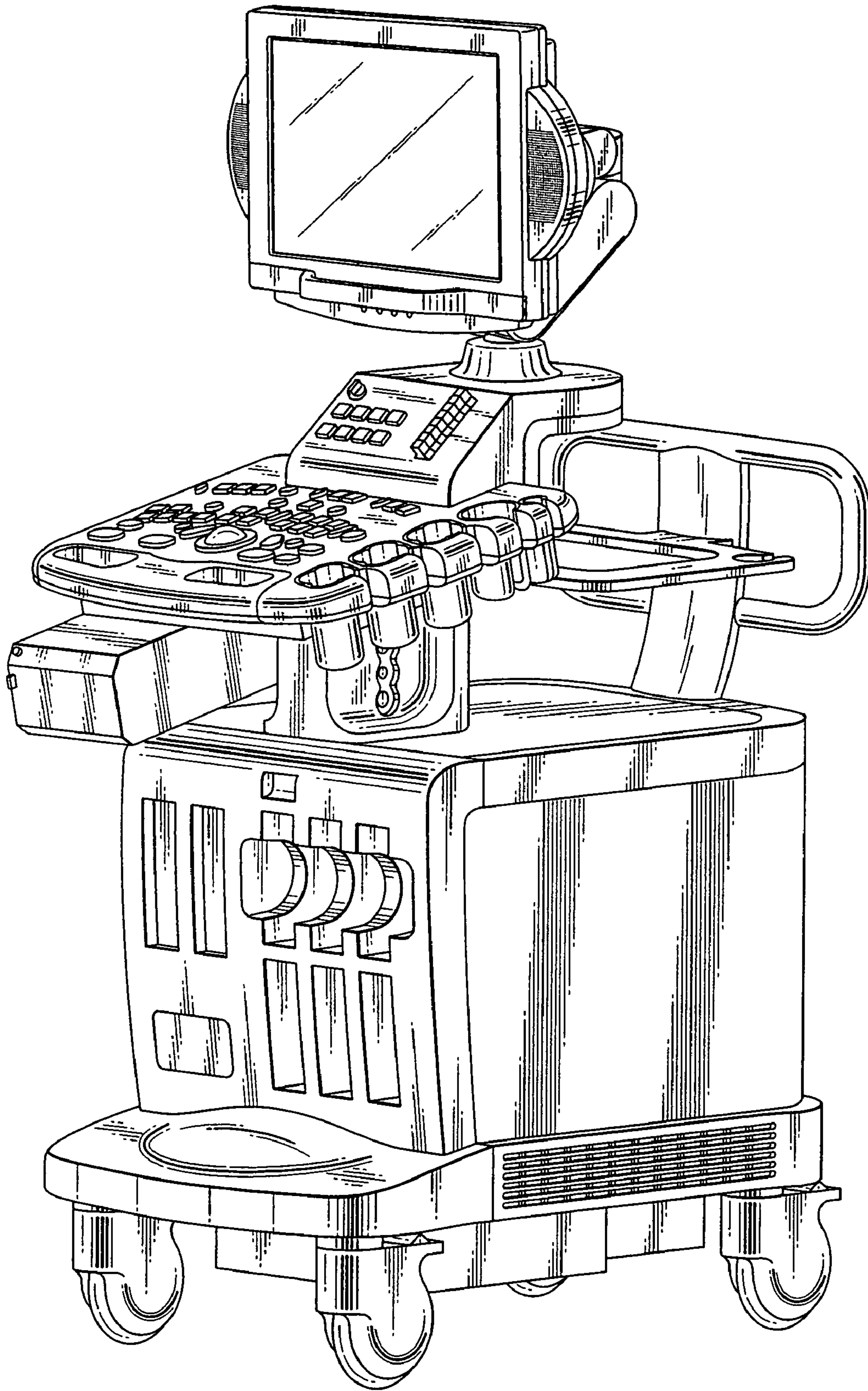


FIG. 1

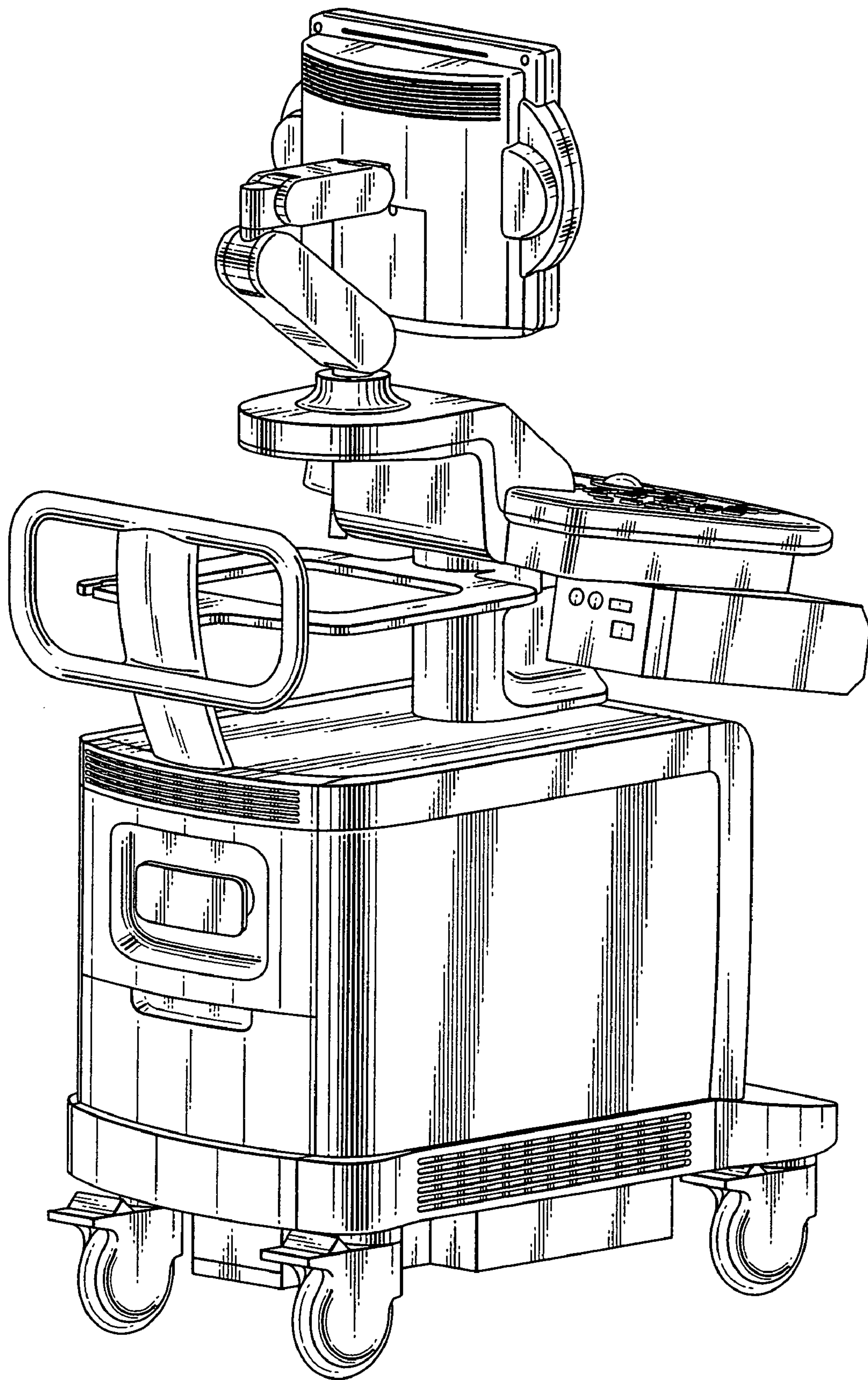


FIG.2



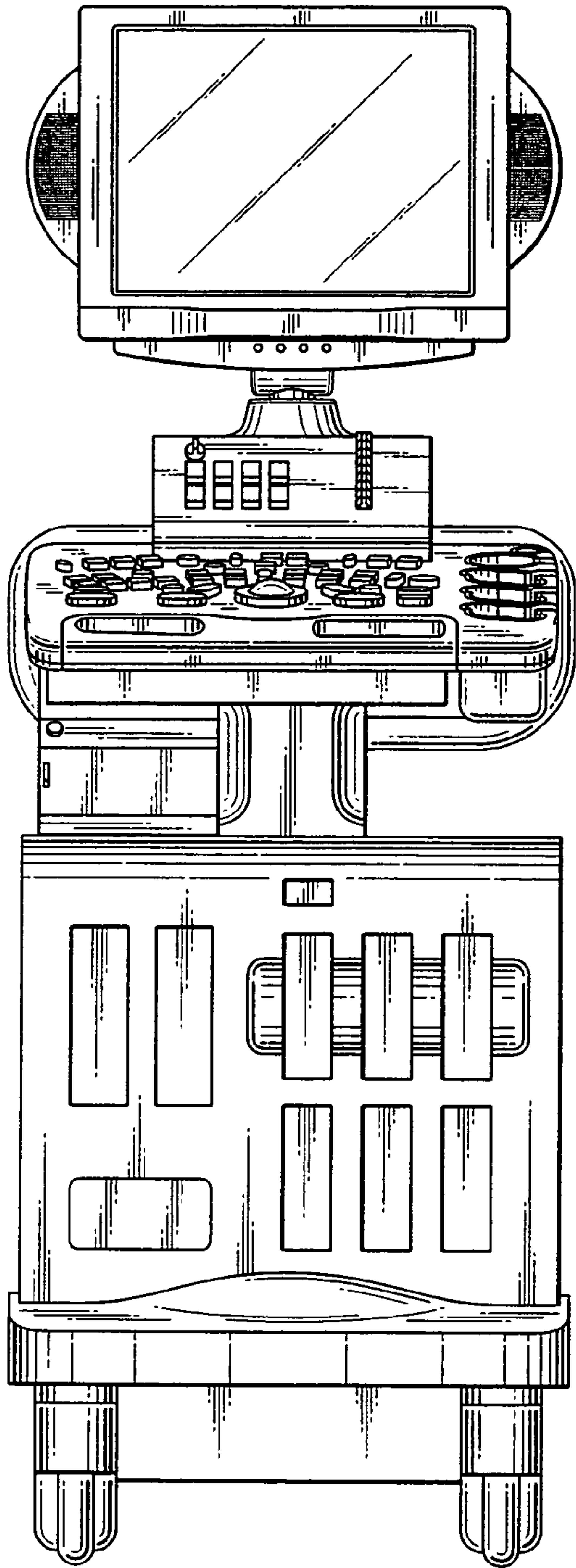


FIG.3

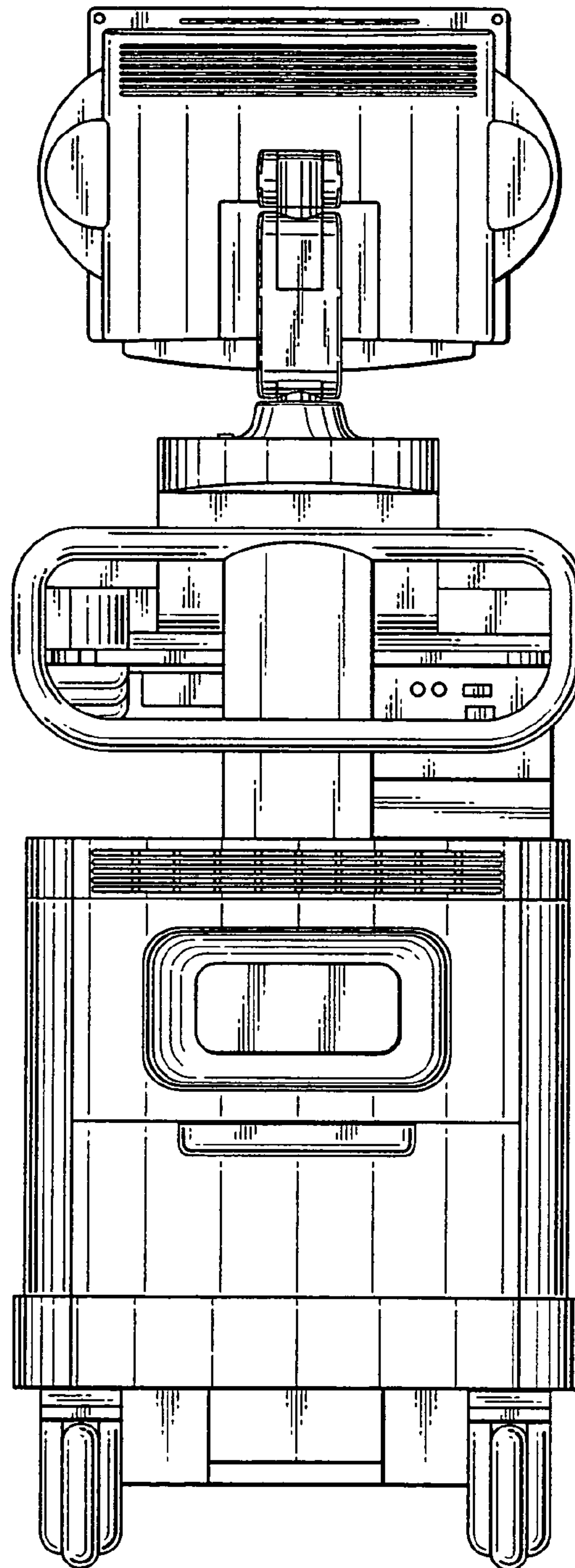


FIG.4

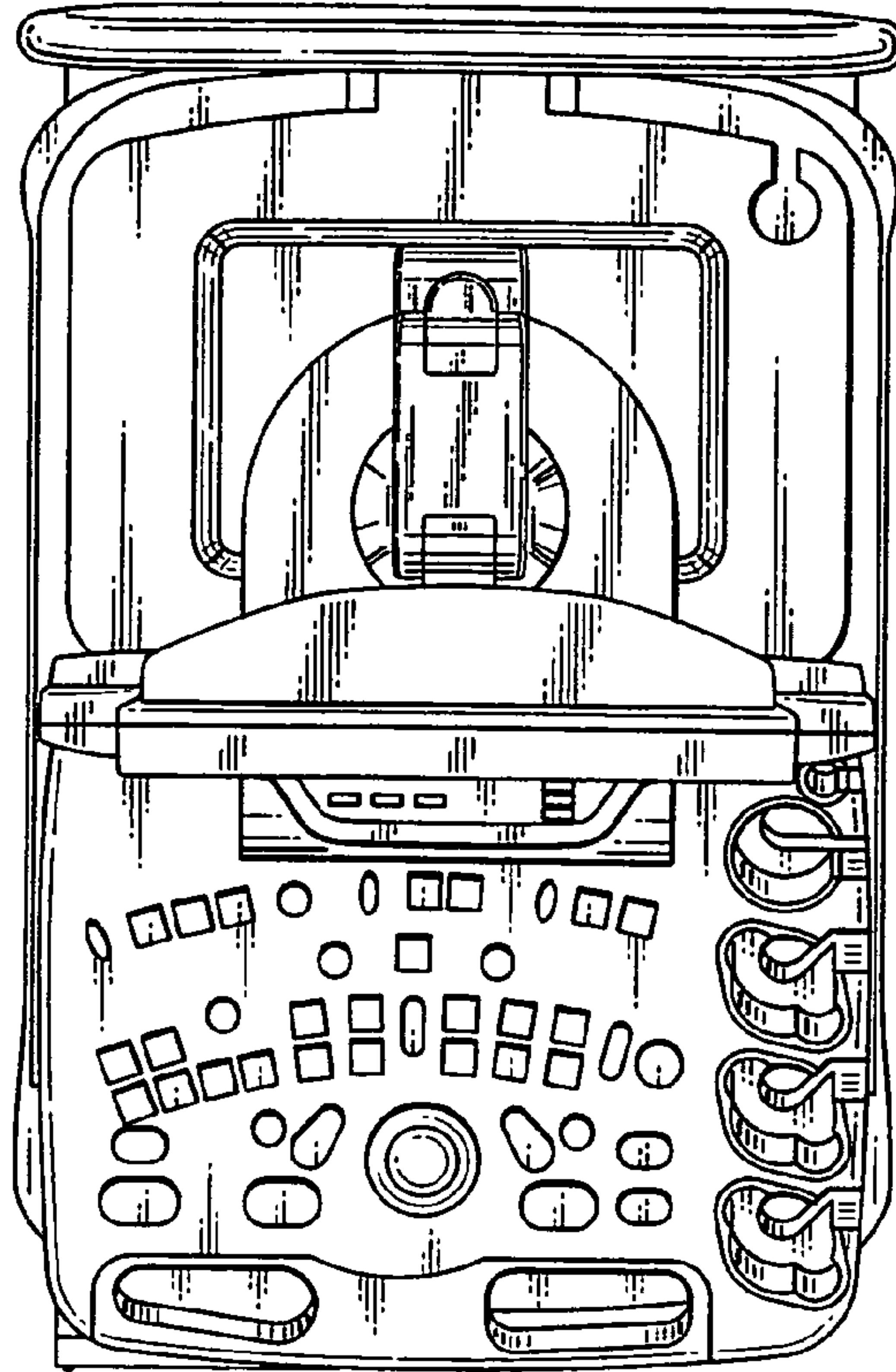


FIG. 5

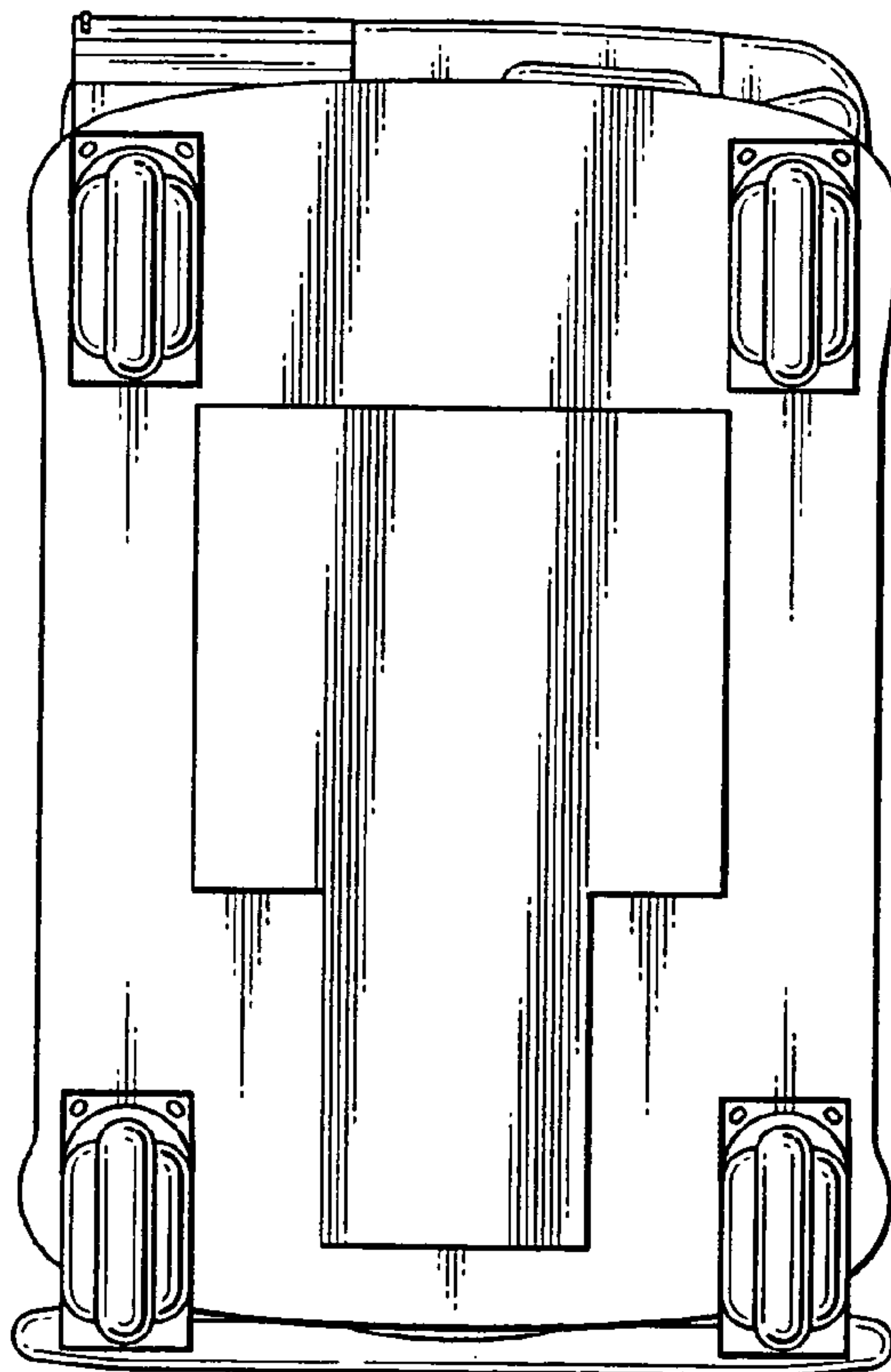


FIG. 6

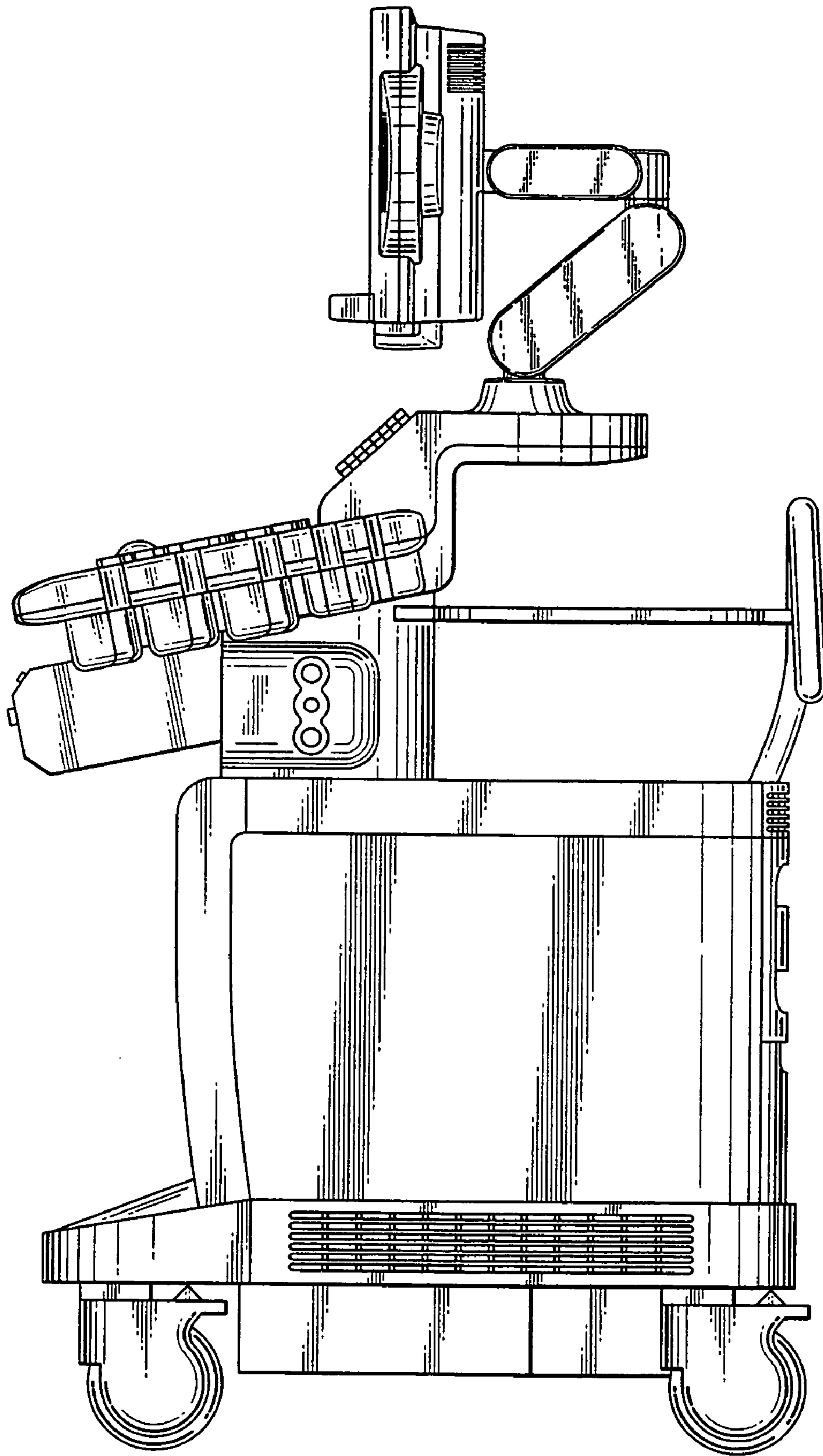


FIG.7

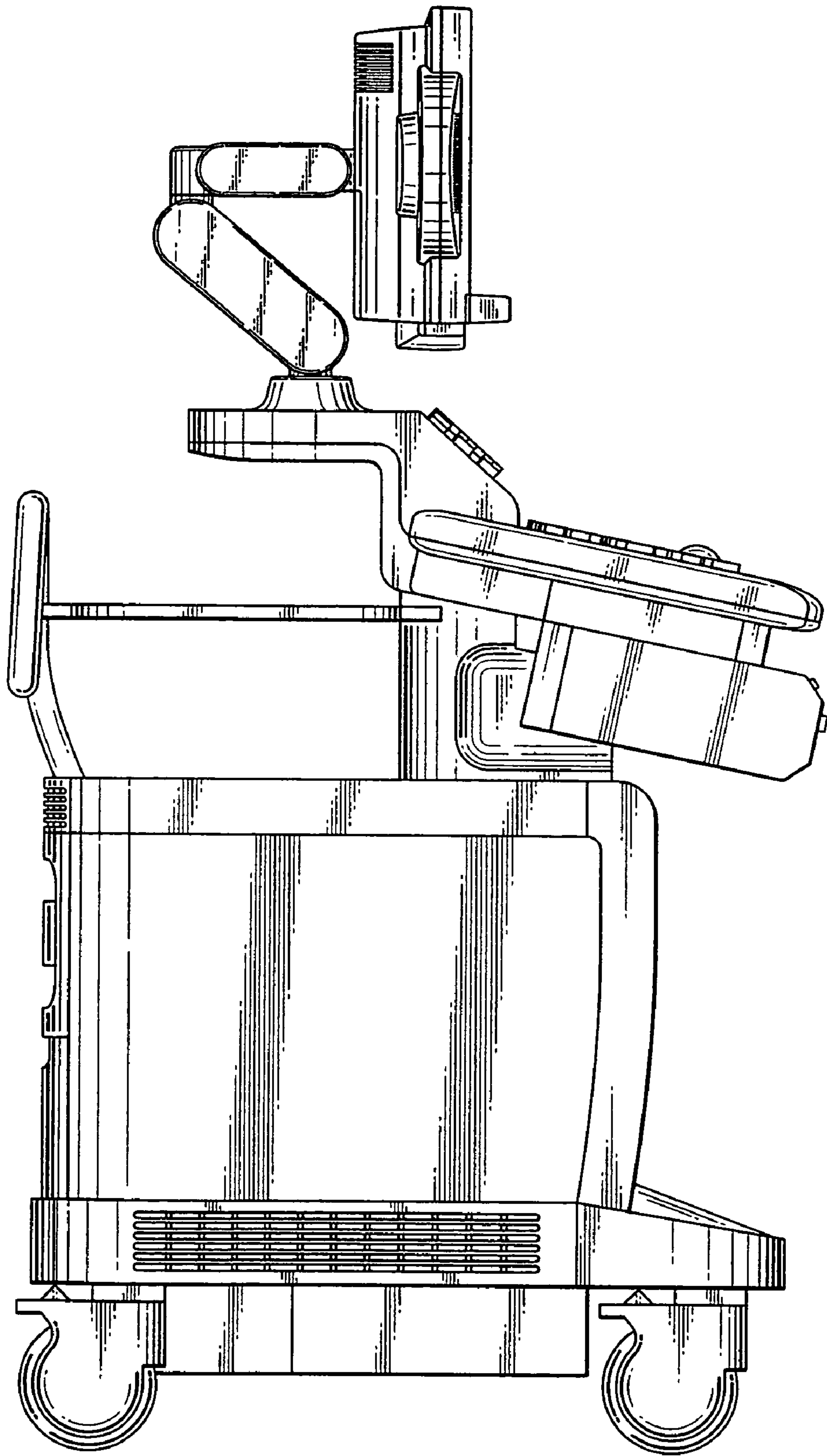


FIG.8