



US00D560806S

(12) **United States Design Patent**  
**Eckman**

(10) **Patent No.:** **US D560,806 S**  
(45) **Date of Patent:** **\*\* Jan. 29, 2008**

(54) **CURETTE**

2006/0276816 A1 12/2006 Eckman

(75) Inventor: **Walter W. Eckman**, Tupelo, MS (US)

**OTHER PUBLICATIONS**

(73) Assignee: **Concept Matrix, LLC**, Orlando, FL (US)

KMEDIC Catalog; CURETTES; 3 pages depicting 10 styles of Currettes.

(\*\*) Term: **14 Years**

*Primary Examiner*—Ian Simmons

*Assistant Examiner*—Christopher Lee

(21) Appl. No.: **29/281,002**

(74) *Attorney, Agent, or Firm*—Akin Gump Strauss Hauer & Feld LLP

(22) Filed: **Jun. 13, 2007**

(57) **CLAIM**

**Related U.S. Application Data**

The ornamental design for a curette, as shown and described.

(63) Continuation of application No. 11/422,460, filed on Jun. 6, 2006.

**DESCRIPTION**

(51) **LOC (8) Cl.** ..... **24-02**

FIG. 1 is a perspective of a curette in accordance with my new design;

(52) **U.S. Cl.** ..... **D24/147**

FIG. 2 is a left side elevational view thereof;

(58) **Field of Classification Search** ..... D24/147,

FIG. 3 is a right side elevational view thereof;

D24/146, 133; 606/160, 161, 162, 198, 79  
See application file for complete search history.

FIG. 4 is a bottom plan view thereof;

FIG. 5 is a top plan view thereof;

(56) **References Cited**

**U.S. PATENT DOCUMENTS**

5,632,756 A 5/1997 Kruglick

5,715,850 A 2/1998 Markgraaf

D450,676 S 11/2001 Huttner

2006/0184192 A1 8/2006 Maarkworth et al.

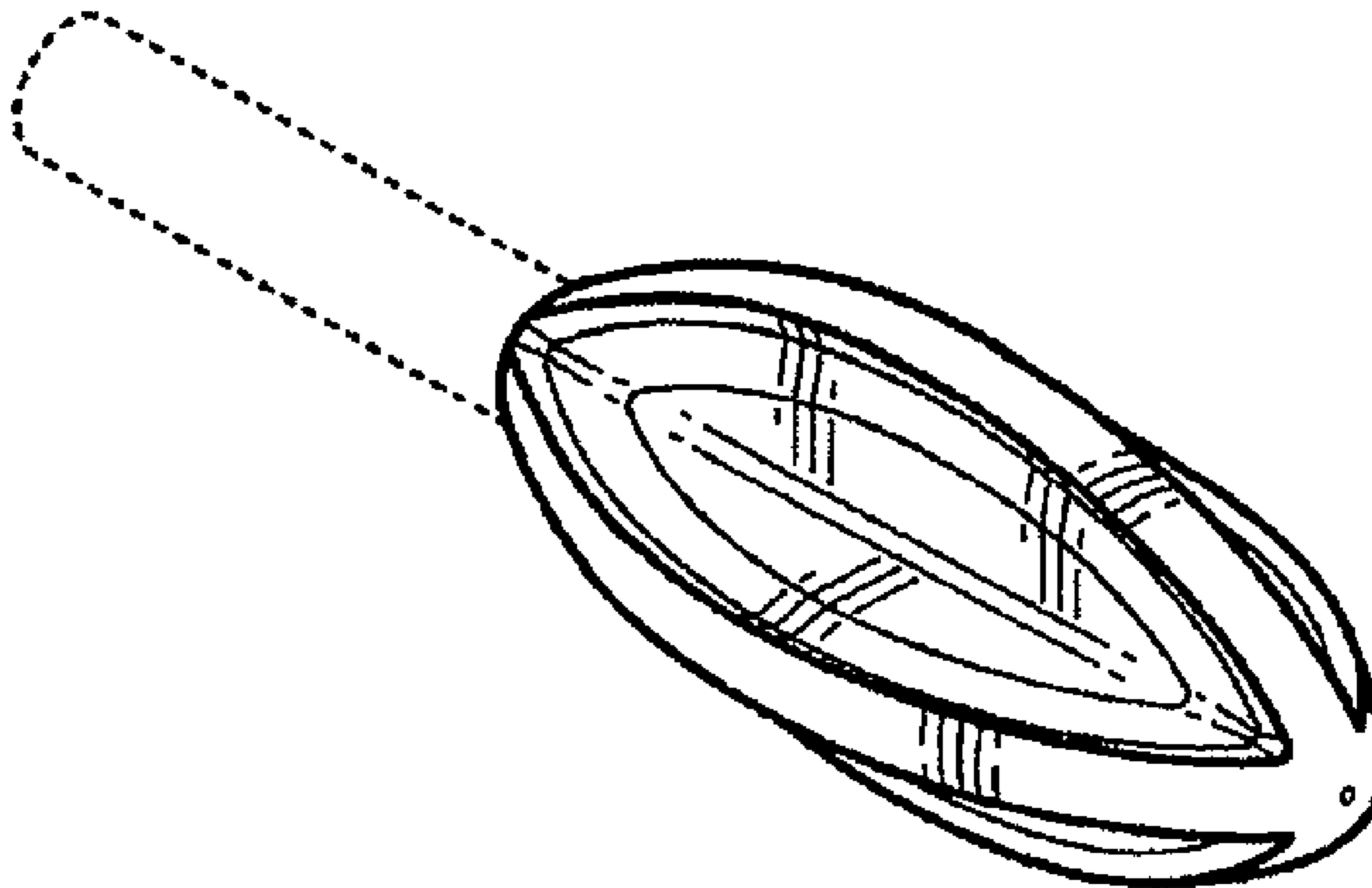
2006/0235418 A1 10/2006 Gil et al.

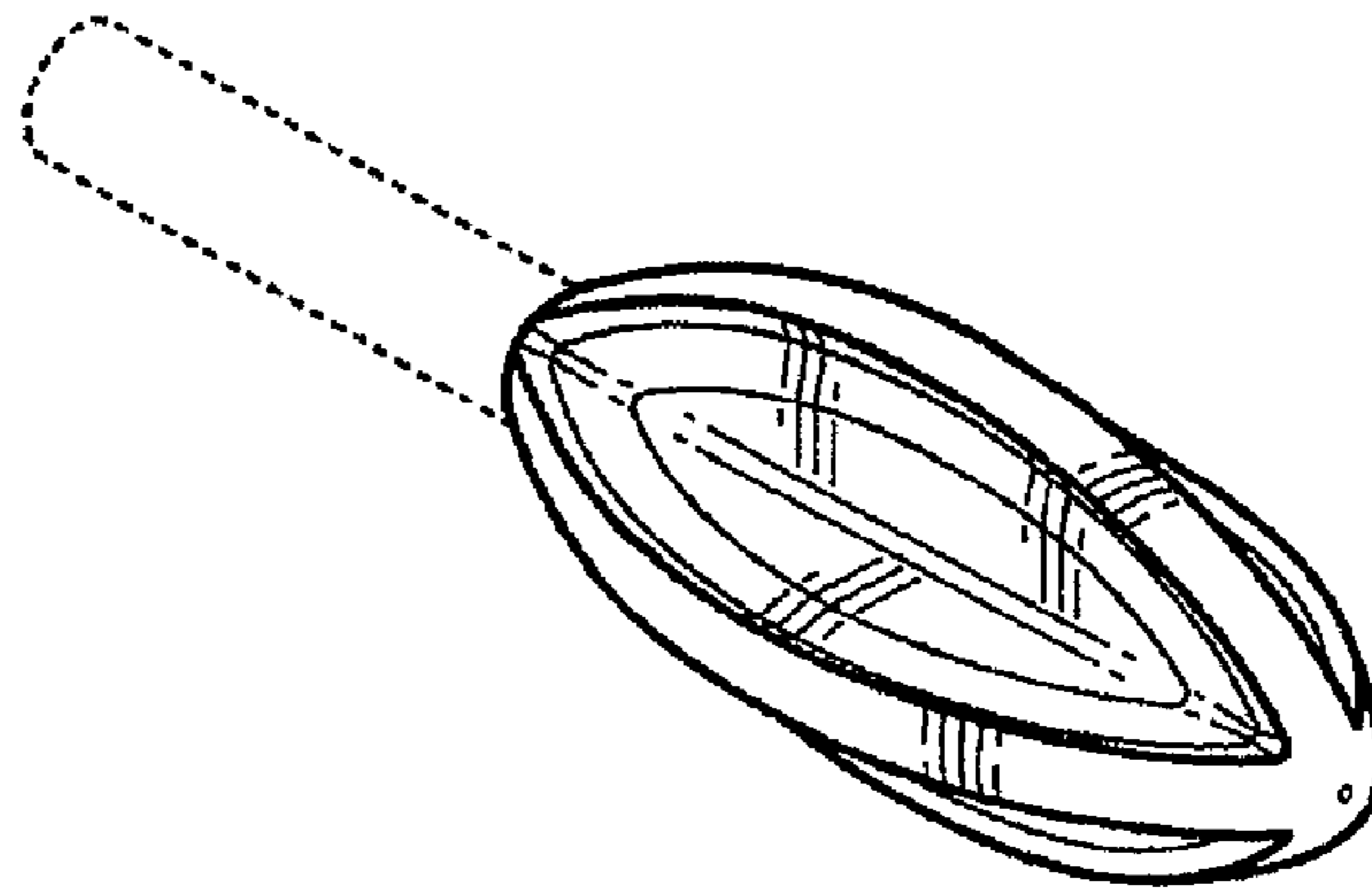
FIG. 6 is a rear elevational view thereof; and,

FIG. 7 is a front elevational view thereof.

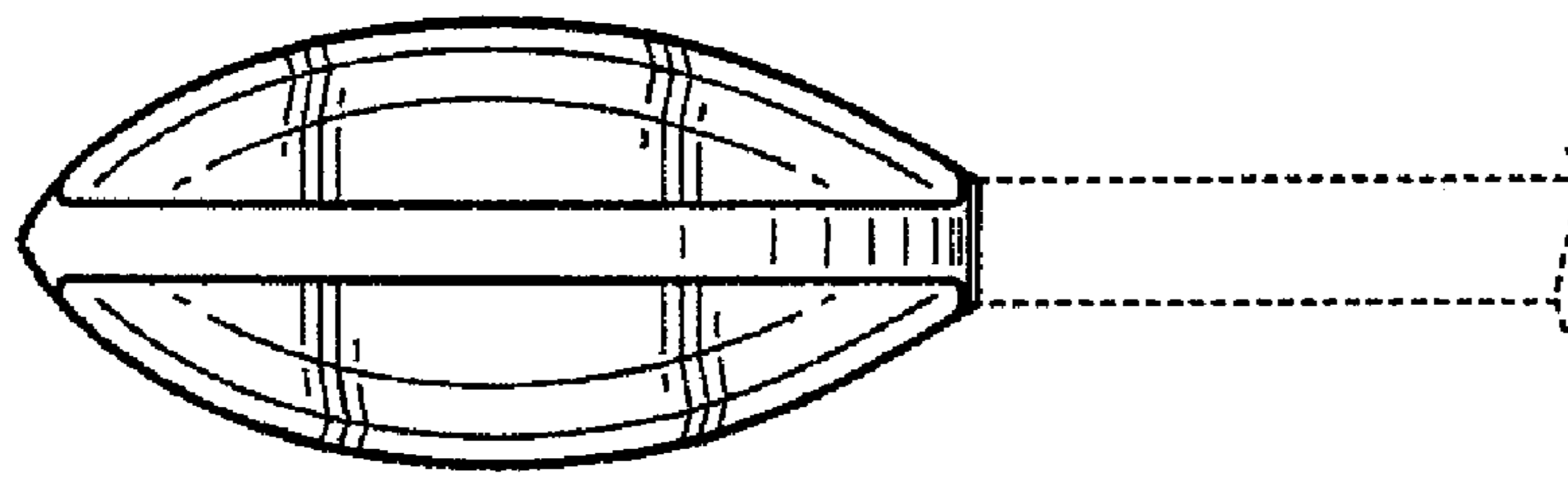
The broken lines in the figures are for illustrative purposes only and form no part of the claimed design.

**1 Claim, 2 Drawing Sheets**

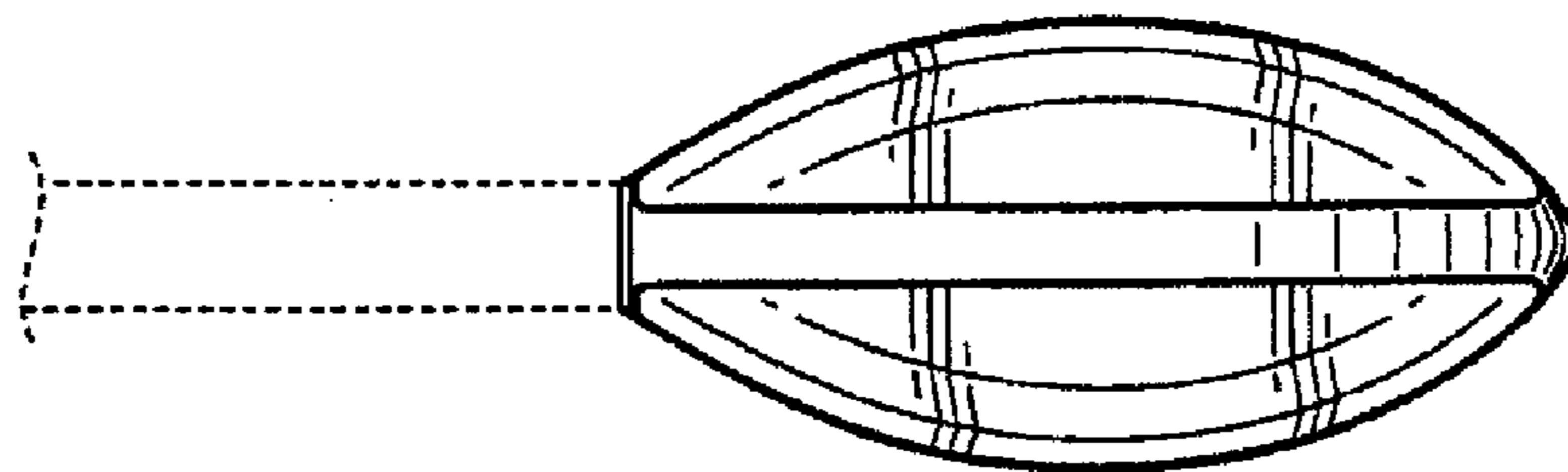




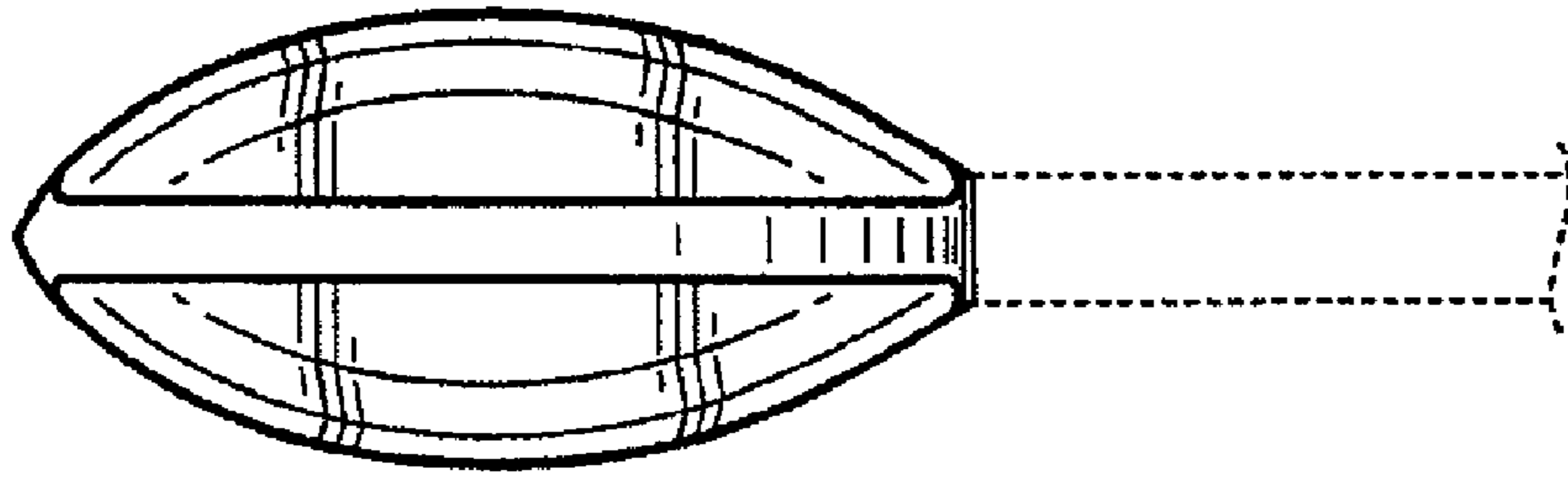
**FIG. 1**



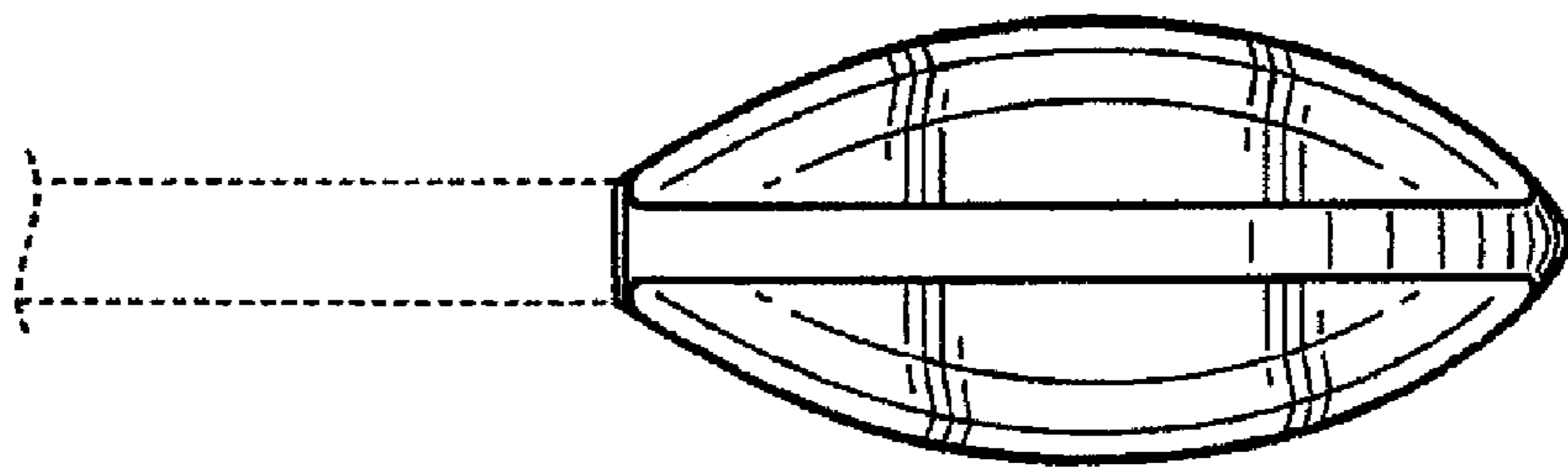
**FIG. 2**



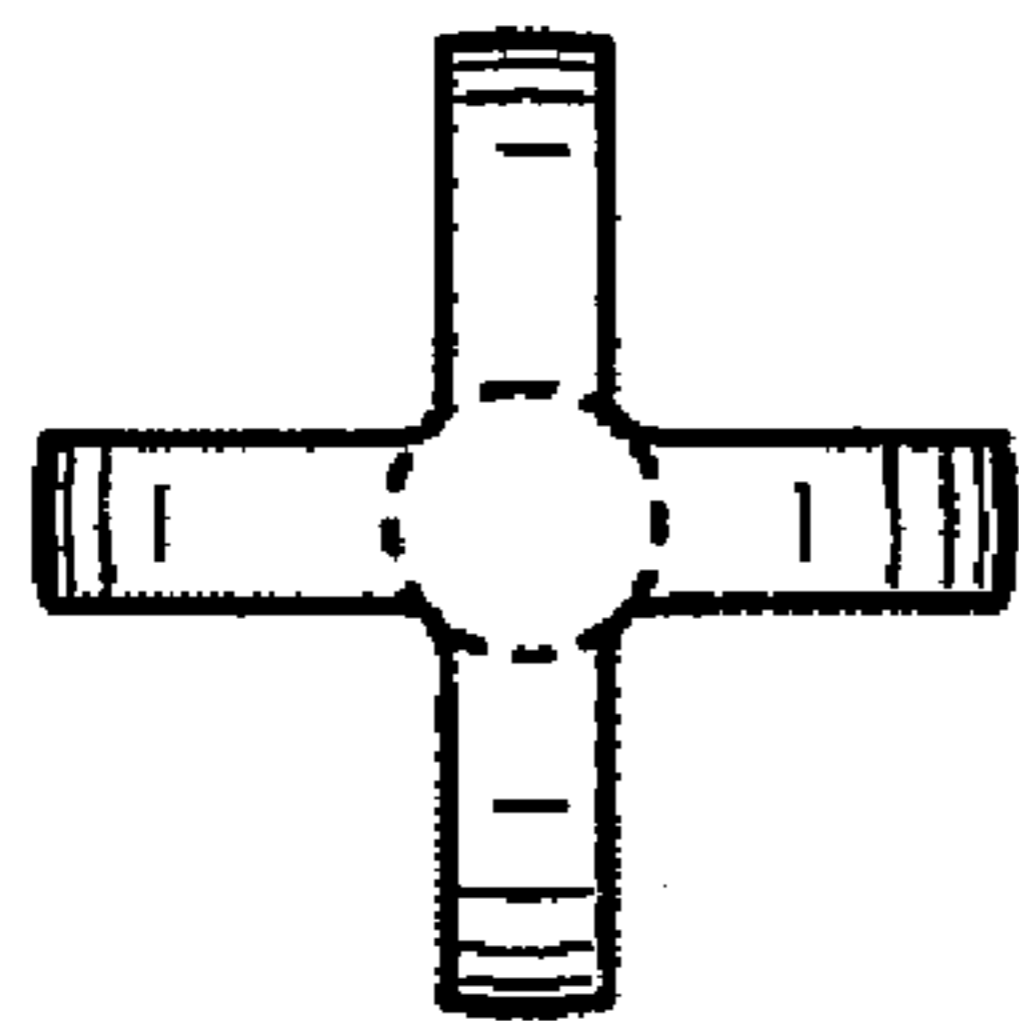
**FIG. 3**



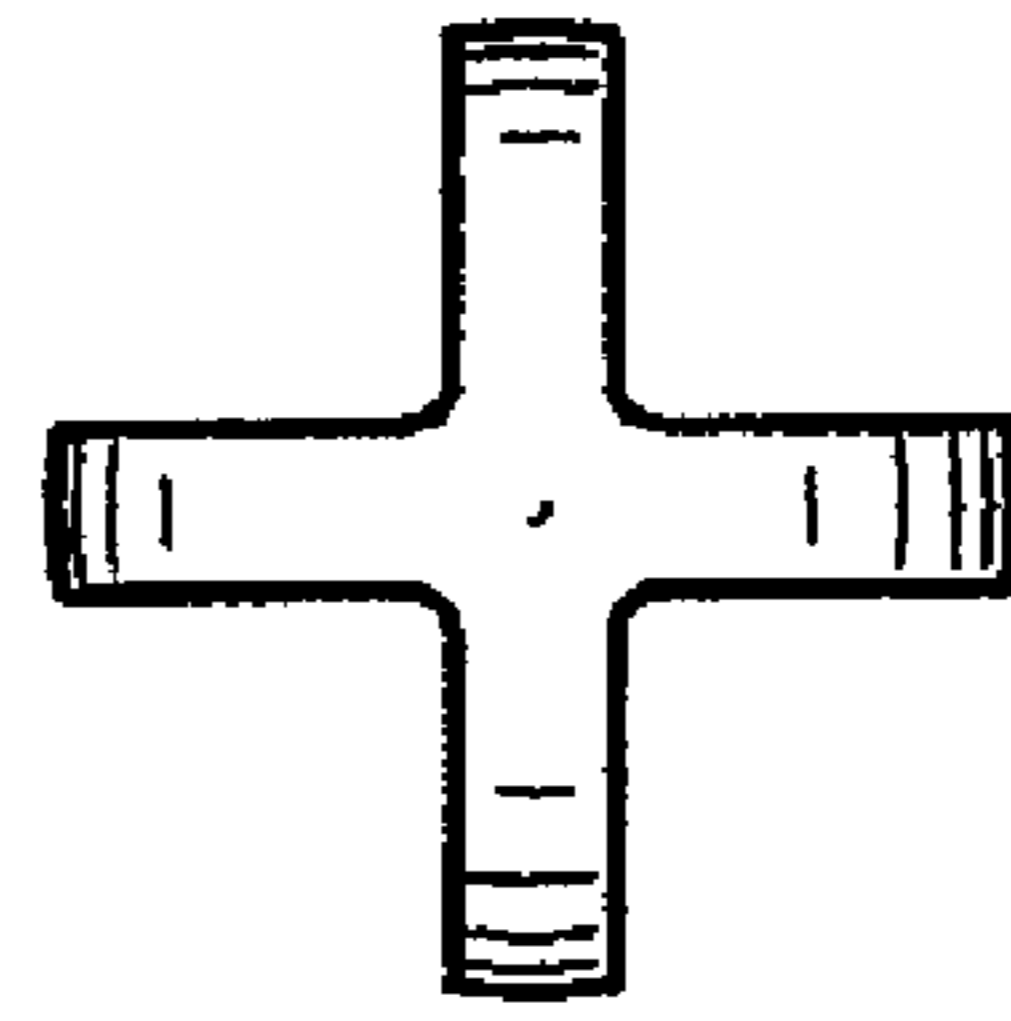
**FIG. 4**



**FIG. 5**



**FIG. 6**



**FIG. 7**