



US00D560805S

(12) **United States Design Patent**
Young et al.

(10) **Patent No.:** **US D560,805 S**

(45) **Date of Patent:** **** Jan. 29, 2008**

(54) **LANCING DEVICE**

(75) Inventors: **Kevin Robert Young**, Boston, MA (US); **Damien Vizcarra**, Waltham, MA (US); **Arne Joergen Madsen**, San Francisco, CA (US)

(73) Assignee: **Abbott Diabetes Care Inc.**, Alameda, CA (US)

(**) Term: **14 Years**

(21) Appl. No.: **29/261,531**

(22) Filed: **Jun. 15, 2006**

(51) **LOC (8) Cl.** **24-02**

(52) **U.S. Cl.** **D24/146; D24/147**

(58) **Field of Classification Search** D24/146, D24/147, 133, 130; 606/181, 182, 183, 184, 606/167; 600/583

See application file for complete search history.

(56) **References Cited**

U.S. PATENT DOCUMENTS

D277,507 S *	2/1985	Levy	D24/147
D297,459 S *	8/1988	Heiland et al.	D24/147
D342,573 S *	12/1993	Cerola	D24/147
D428,150 S *	7/2000	Ruf et al.	D24/146
6,558,402 B1 *	5/2003	Chelak et al.	606/182
D493,532 S *	7/2004	Levaughn et al.	D24/146
2002/0169470 A1 *	11/2002	Kuhr et al.	606/182
2005/0125019 A1 *	6/2005	Kudrna et al.	606/182

2005/0159768 A1 *	7/2005	Boehm et al.	606/182
2006/0100655 A1 *	5/2006	Leong et al.	606/181

* cited by examiner

Primary Examiner—Ian Simmons

Assistant Examiner—Carissa C Fitts

(74) *Attorney, Agent, or Firm*—Young Basile Hanlon MacFarlane & Helmholdt, PC

(57) **CLAIM**

The ornamental design for a lancing device, as shown and described.

DESCRIPTION

FIG. 1 is a perspective view of a lancing device in accordance with the invention;

FIG. 2 is a left-side view of the lancing device of FIG. 1;

FIG. 3 is a bottom plan view of the lancing device of FIG. 1;

FIG. 4 is a right-side view of the lancing device of FIG. 1;

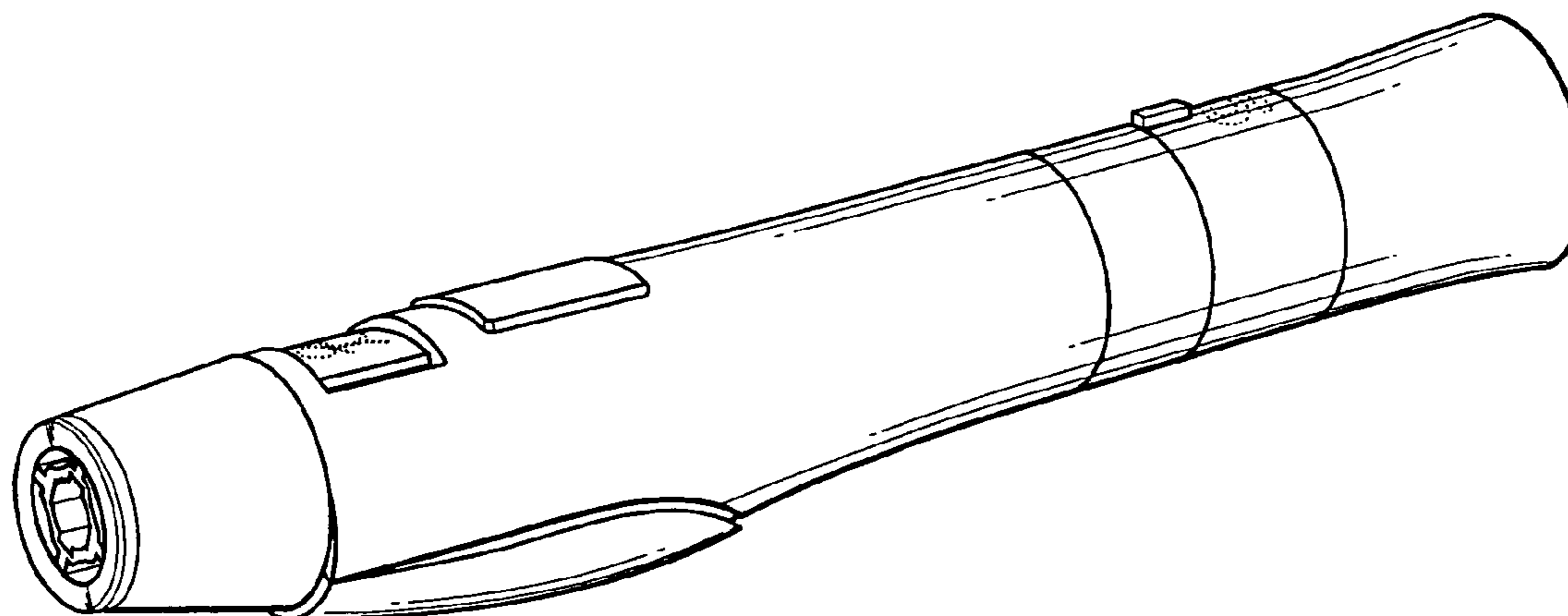
FIG. 5 is a top view of the lancing device of FIG. 1;

FIG. 6 is a front elevation view of the lancing device of FIG. 1; and,

FIG. 7 is a rear elevation view of the lancing device of FIG. 1.

The broken line showing is for illustrative purposes only and forms no part of the claimed design.

1 Claim, 2 Drawing Sheets



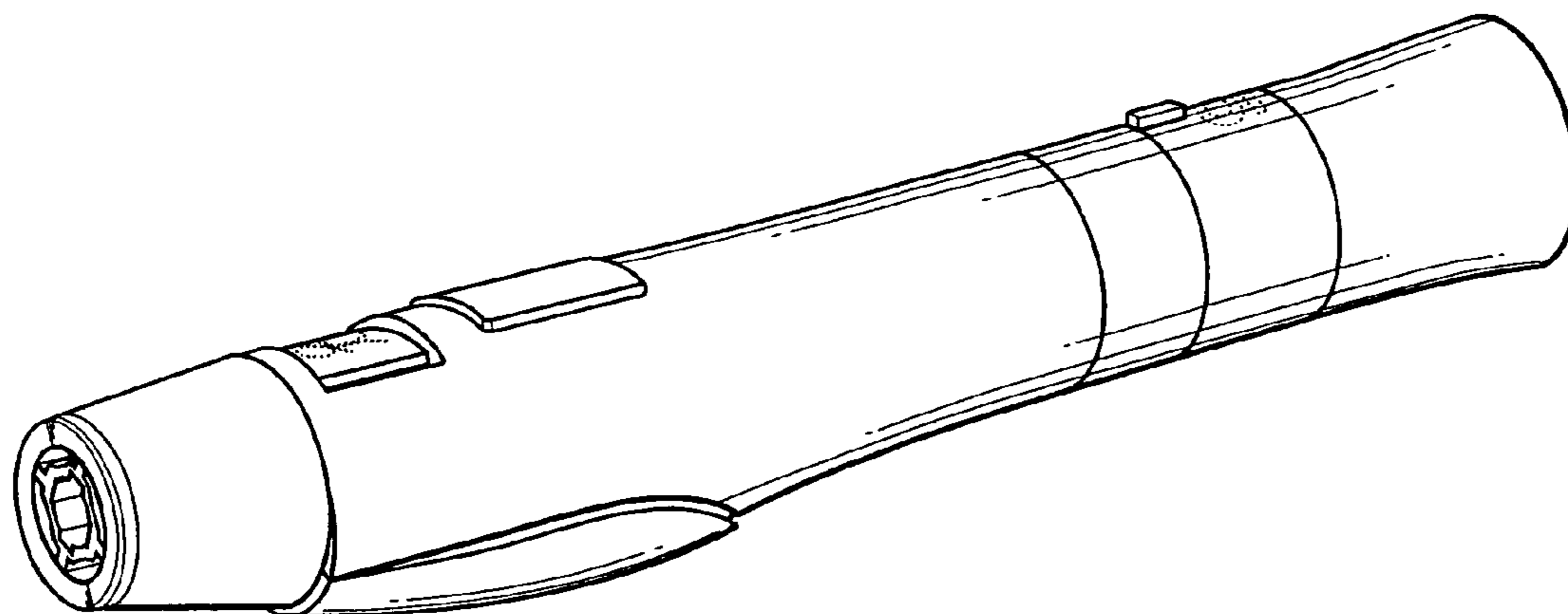


FIG - 1

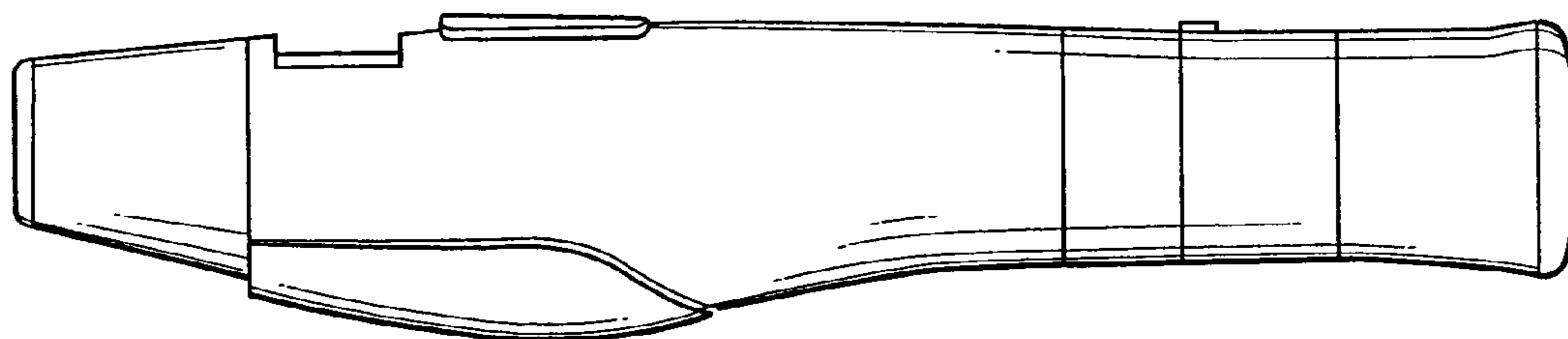


FIG - 2

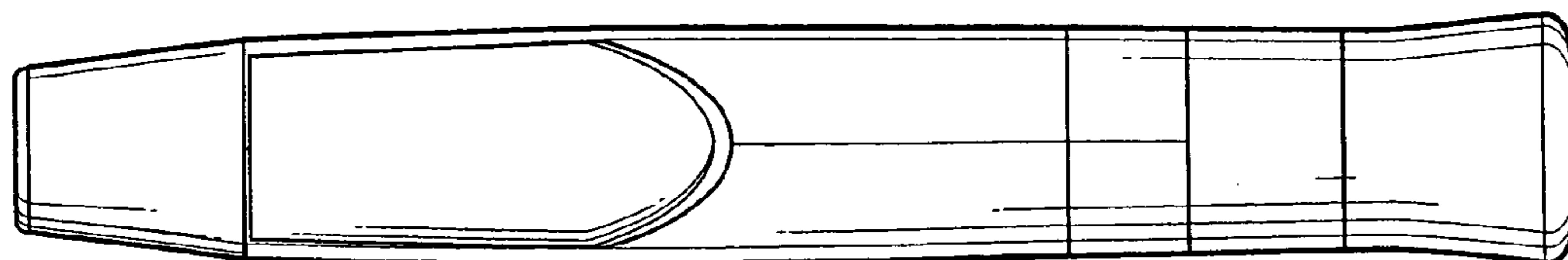


FIG - 3

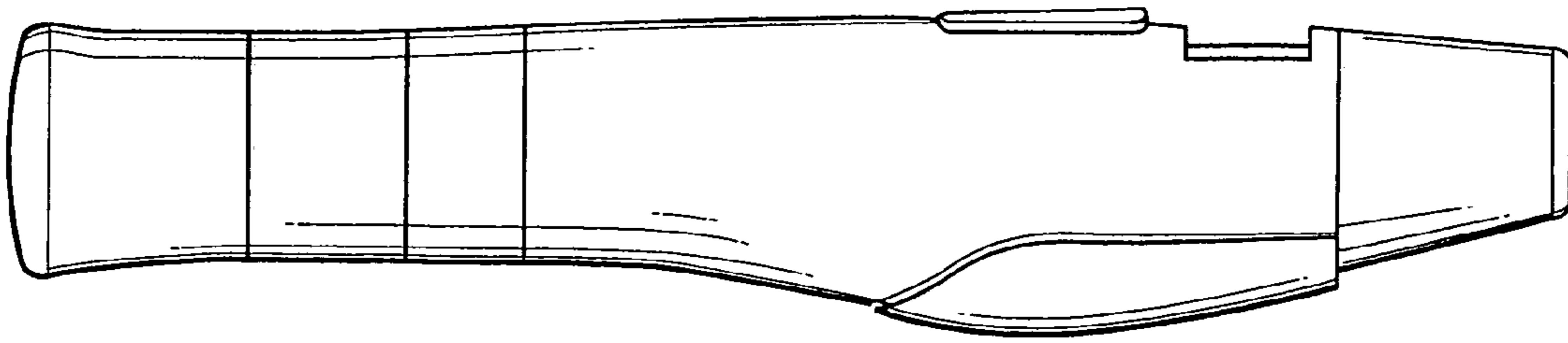


FIG - 4

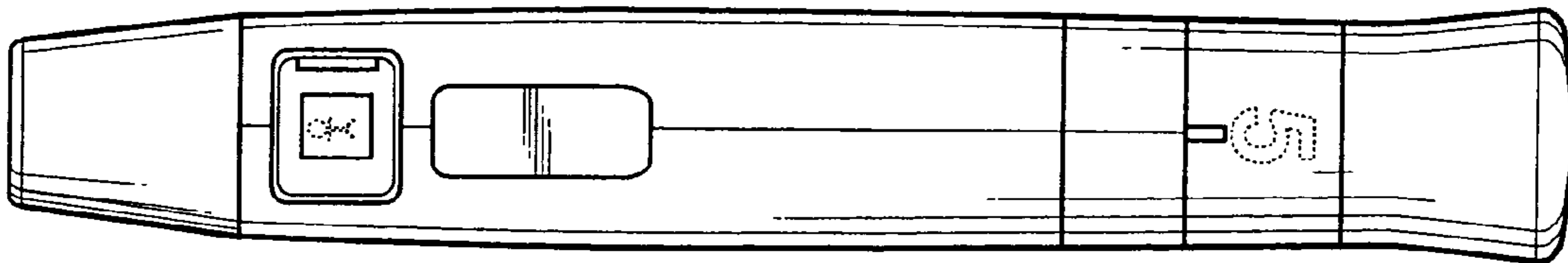


FIG - 5

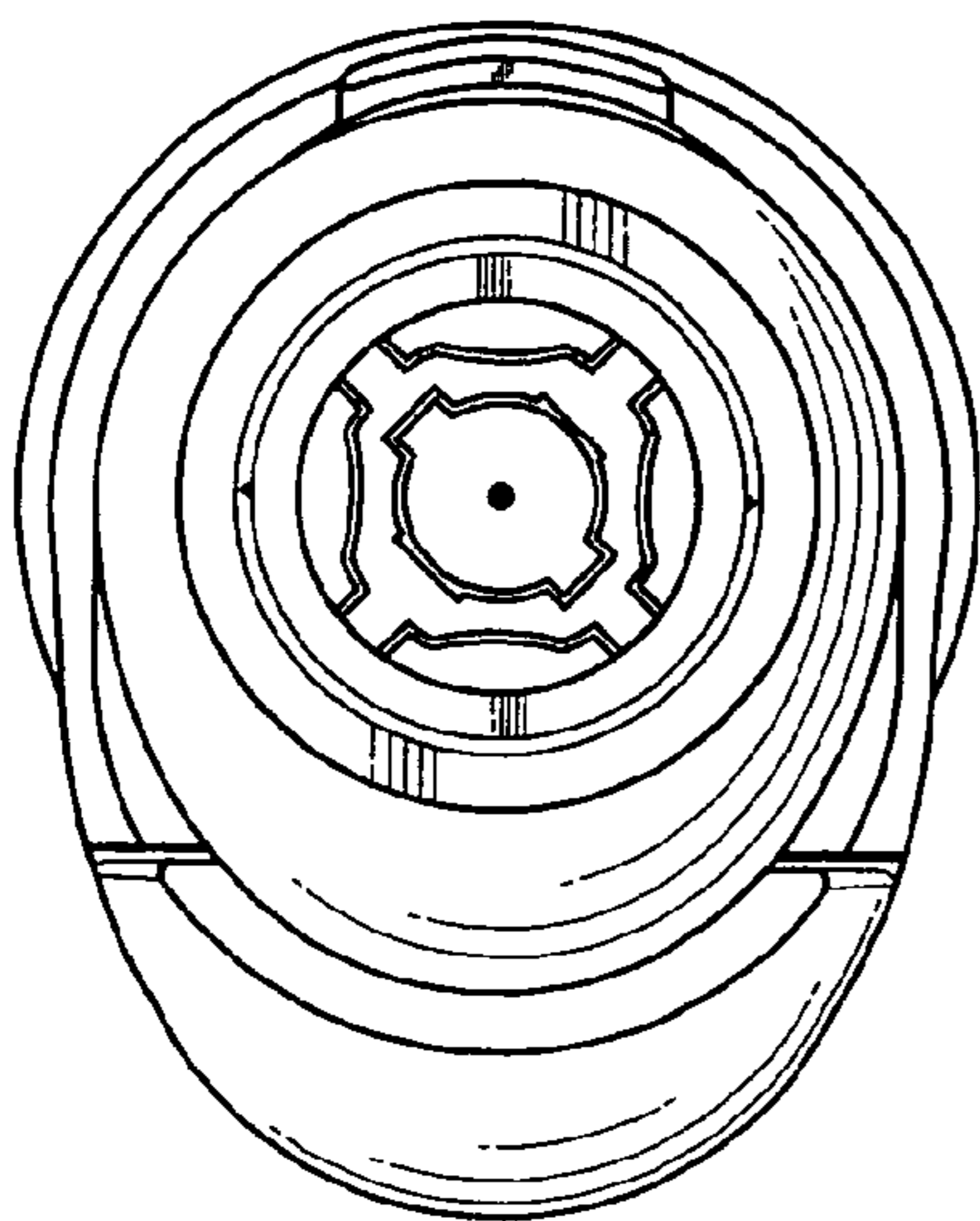


FIG - 6

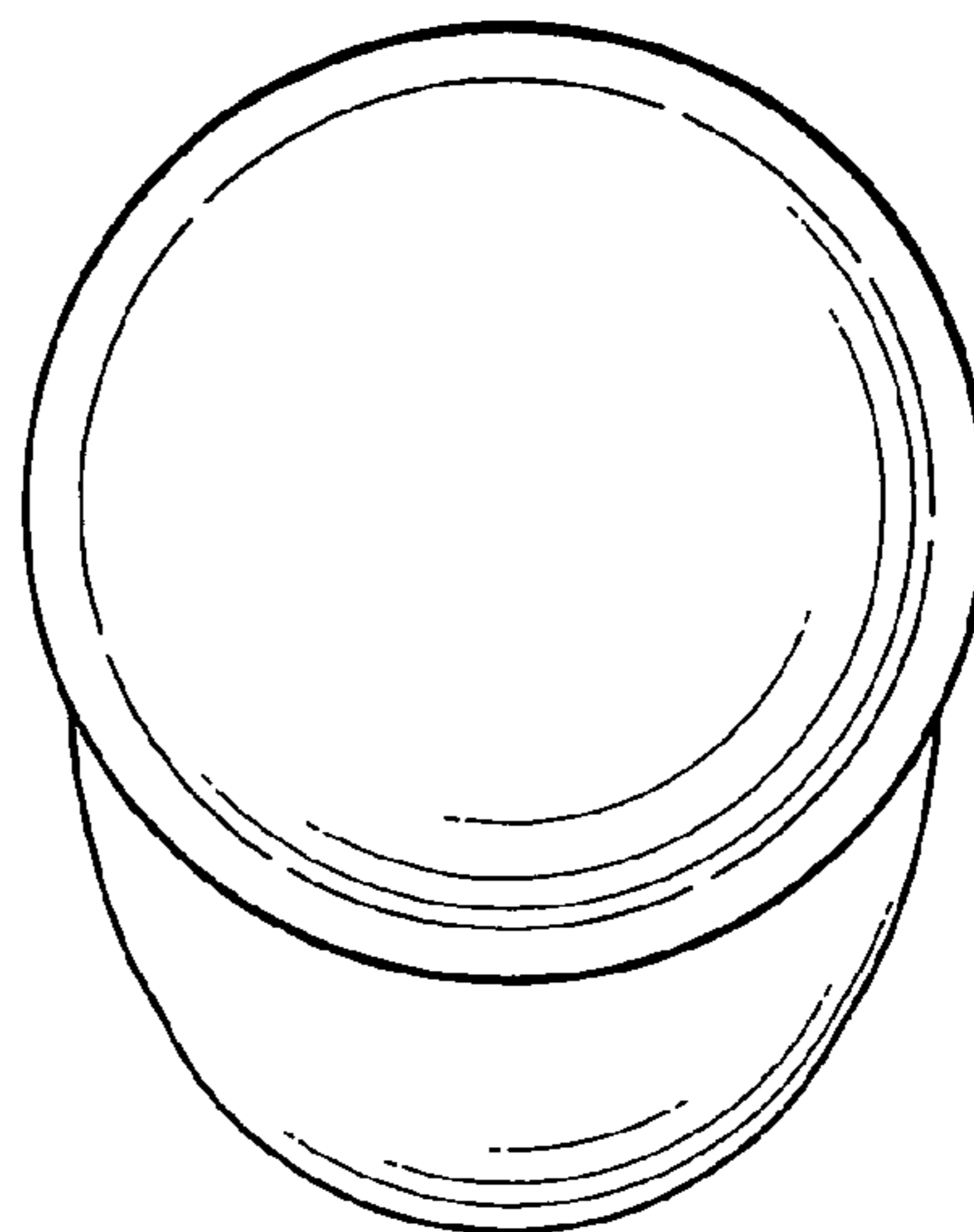


FIG - 7