



US00D560804S

(12) **United States Design Patent**
Pease et al.

(10) **Patent No.:** **US D560,804 S**
(45) **Date of Patent:** **** Jan. 29, 2008**

(54) **DISPLAY HOUSING FOR REMOTE INSPECTION DEVICE**

(75) Inventors: **Alfred A. Pease**, Ann Arbor, MI (US);
Wang Mei, Shenzhen (CN)

(73) Assignee: **Perceptron, Inc.**, Plymouth, MI (US)

(**) Term: **14 Years**

(21) Appl. No.: **29/266,572**

(22) Filed: **Sep. 22, 2006**

(51) **LOC (8) Cl.** **24-02**

(52) **U.S. Cl.** **D24/138; D24/133**

(58) **Field of Classification Search** **D24/135-139;**
600/160, 104, 106, 111, 132, 109, 112, 101,
600/110, 118, 122, 131, 182; 348/73, 75
See application file for complete search history.

(56) **References Cited**

U.S. PATENT DOCUMENTS

D358,471	S	*	5/1995	Cope et al.	D24/137
5,928,137	A	*	7/1999	Green	600/160
6,554,765	B1	*	4/2003	Yarush et al.	600/132
7,074,182	B2	*	7/2006	Rovegno	600/131
D533,939	S	*	12/2006	Root et al.	D24/138

* cited by examiner

Primary Examiner—Antoine D. Davis

(74) *Attorney, Agent, or Firm*—Harness, Dickey & Pierce, P.L.C.

(57) **CLAIM**

The ornamental design for a display housing for remote inspection device, as shown and described.

DESCRIPTION

FIG. 1 is a perspective view of an exemplary remote inspection device which embodies a display housing in accordance with the present design;

FIG. 2 is a perspective view of a first embodiment of the display housing;

FIG. 3 is a rear view of the first embodiment of the display housing;

FIG. 4 is a side view of the first embodiment of the display housing, the other side view being a mirror image thereof;

FIG. 5 is a front view of the first embodiment of the display housing;

FIG. 6 is a top view of the first embodiment of the display housing;

FIG. 7 is a bottom view of the first embodiment of the display housing;

FIG. 8 is a perspective view of the second embodiment of the display housing;

FIG. 9 is a rear view of the second embodiment of the display housing;

FIG. 10 is a side view of the second embodiment of the display housing, the other side view being a mirror image thereof;

FIG. 11 is a front view of the second embodiment of the display housing;

FIG. 12 is a top view of the second embodiment of the display housing;

FIG. 13 is a bottom view of the second embodiment of the display housing;

FIG. 14 is a perspective view of the third embodiment of the display housing;

FIG. 15 is a rear view of the third embodiment of the display housing;

FIG. 16 is a side view of the third embodiment of the display housing, the other side view being a mirror image thereof;

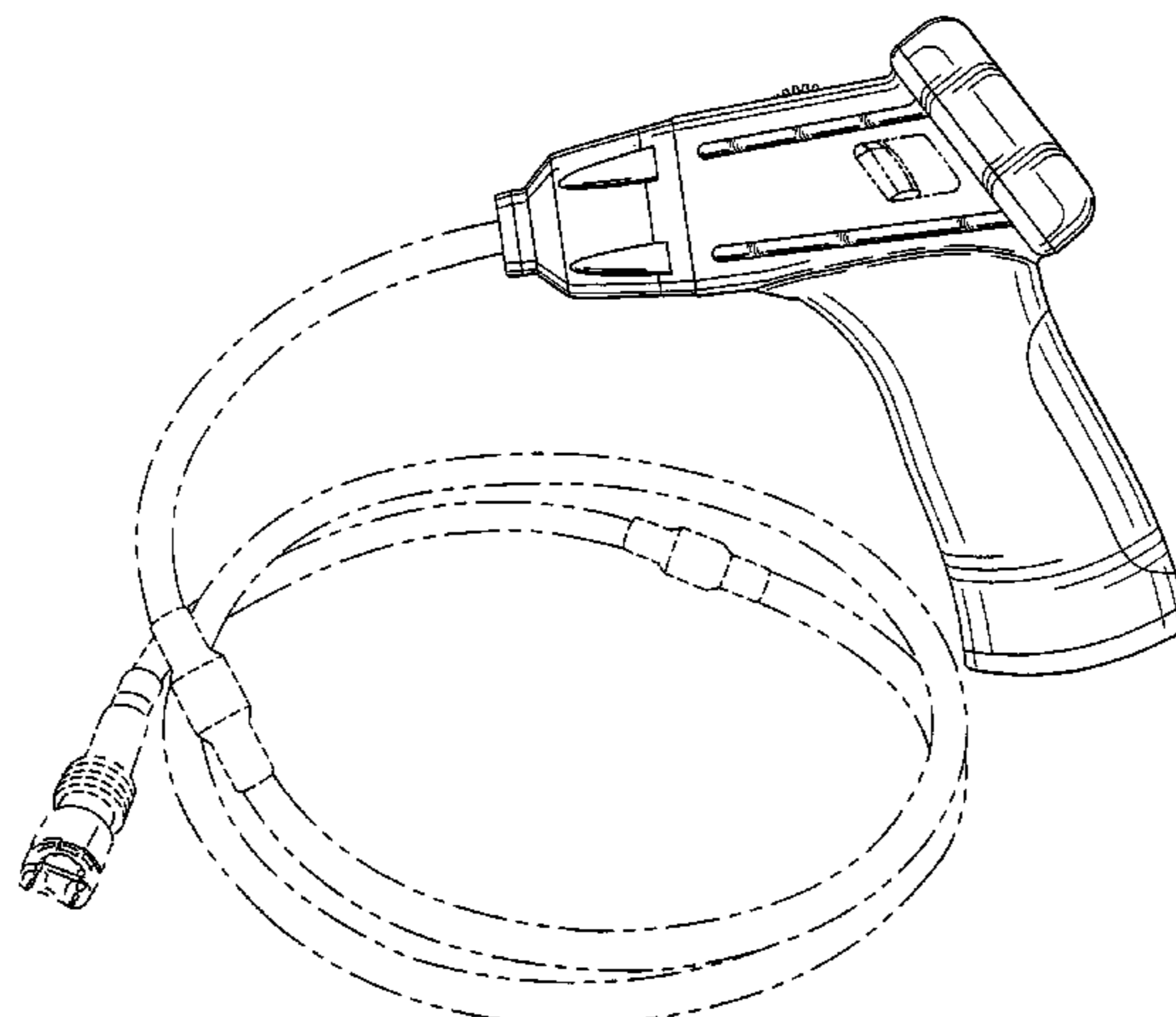
FIG. 17 is a front view of the third embodiment of the display housing;

FIG. 18 is a top view of the third embodiment of the display housing; and,

FIG. 19 is a bottom view of the third embodiment of the display housing.

It is to be understood that those portions of the display housing shown in broken line in the accompanying figures do not constitute an integral part of the claimed design and, therefore, are disclaimed as part of the claimed design.

1 Claim, 19 Drawing Sheets



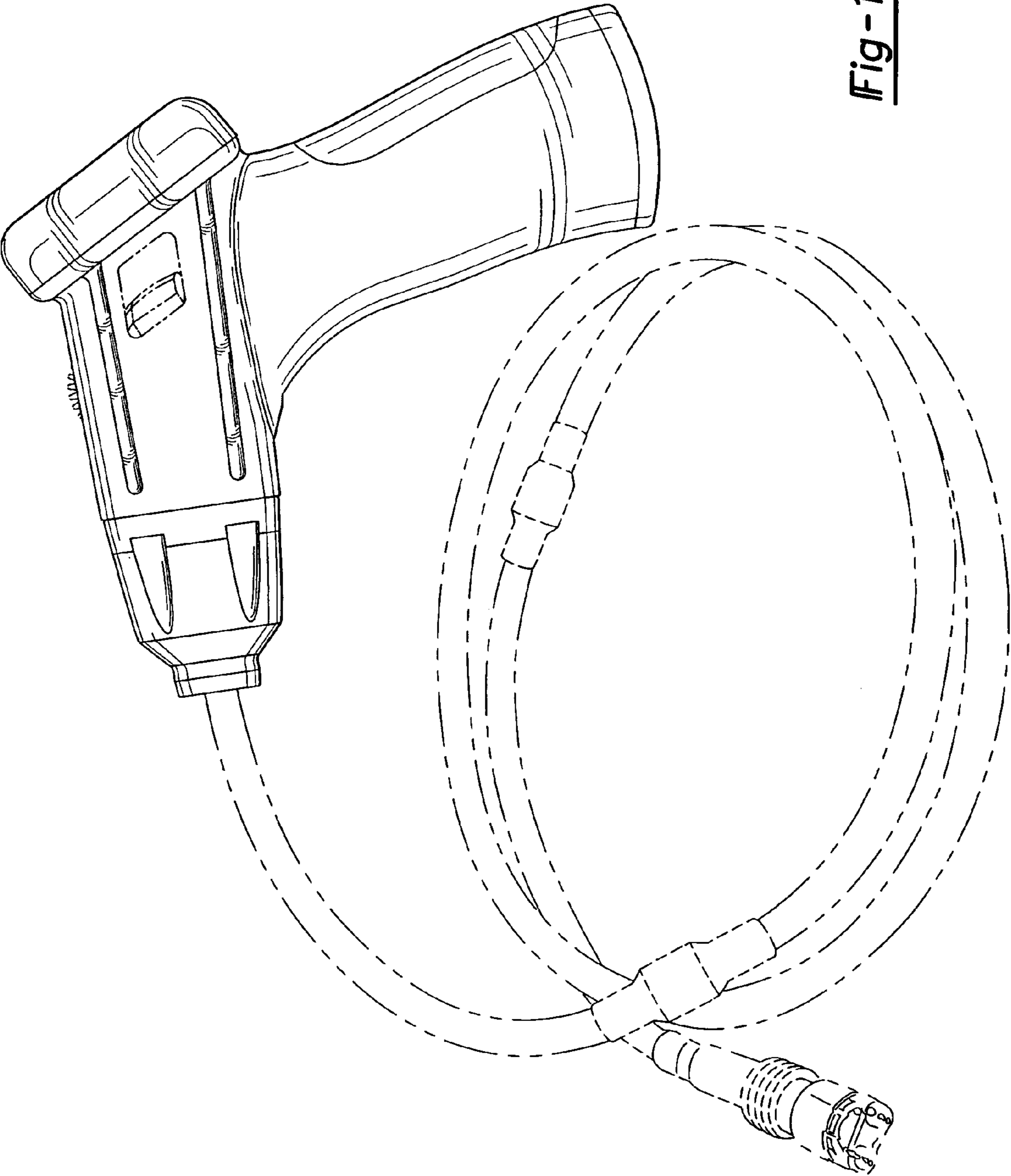


Fig-1

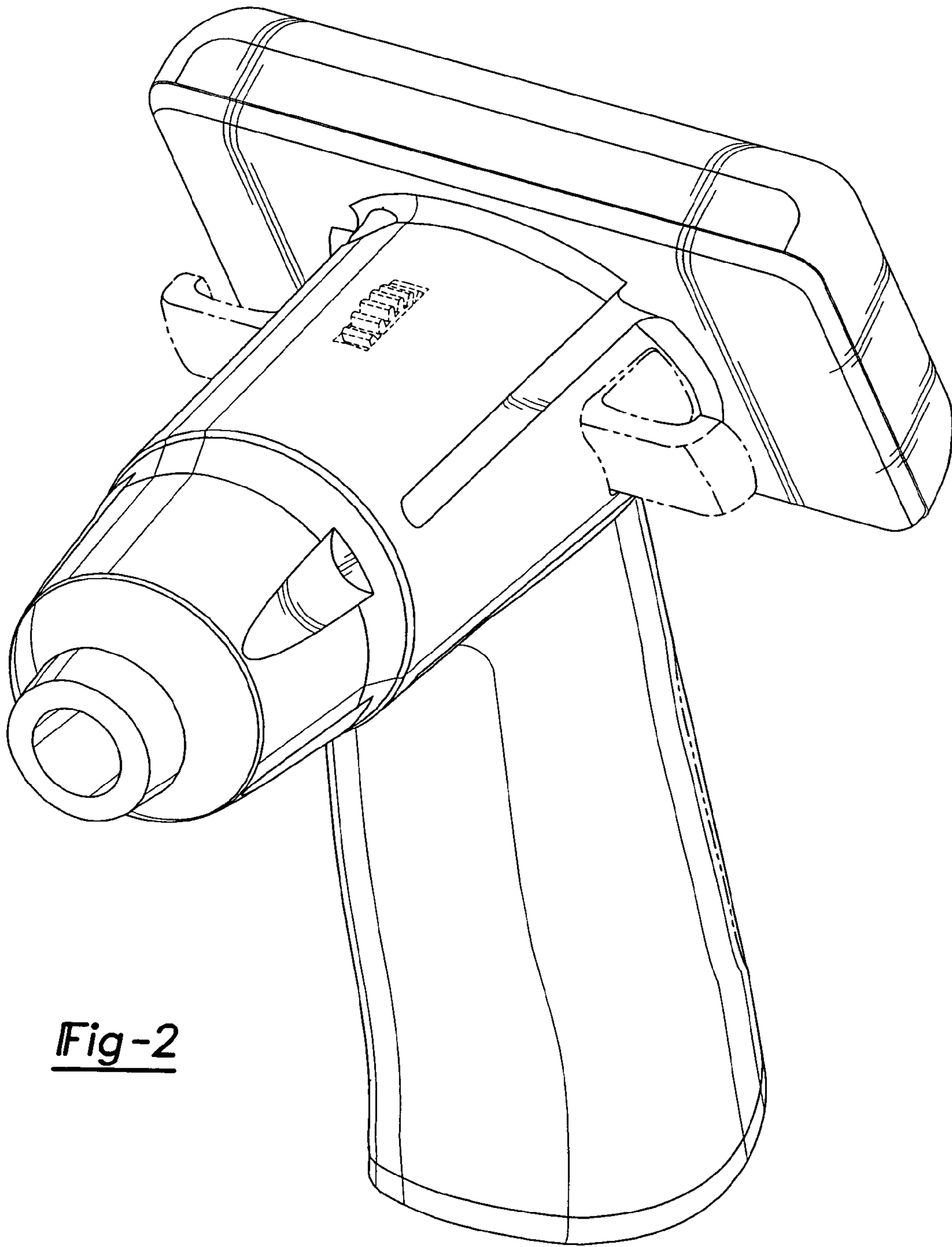


Fig-2

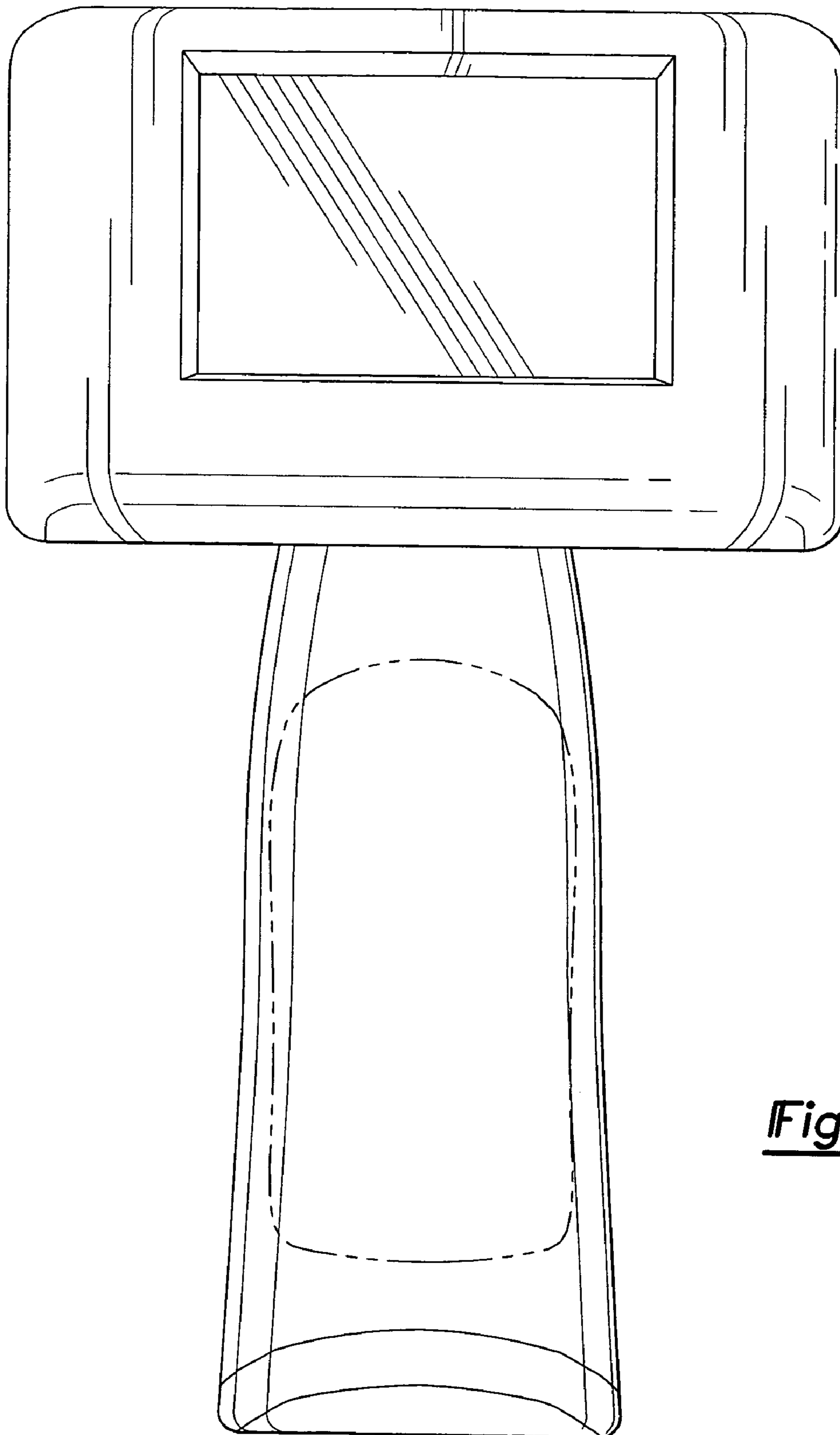


Fig-3

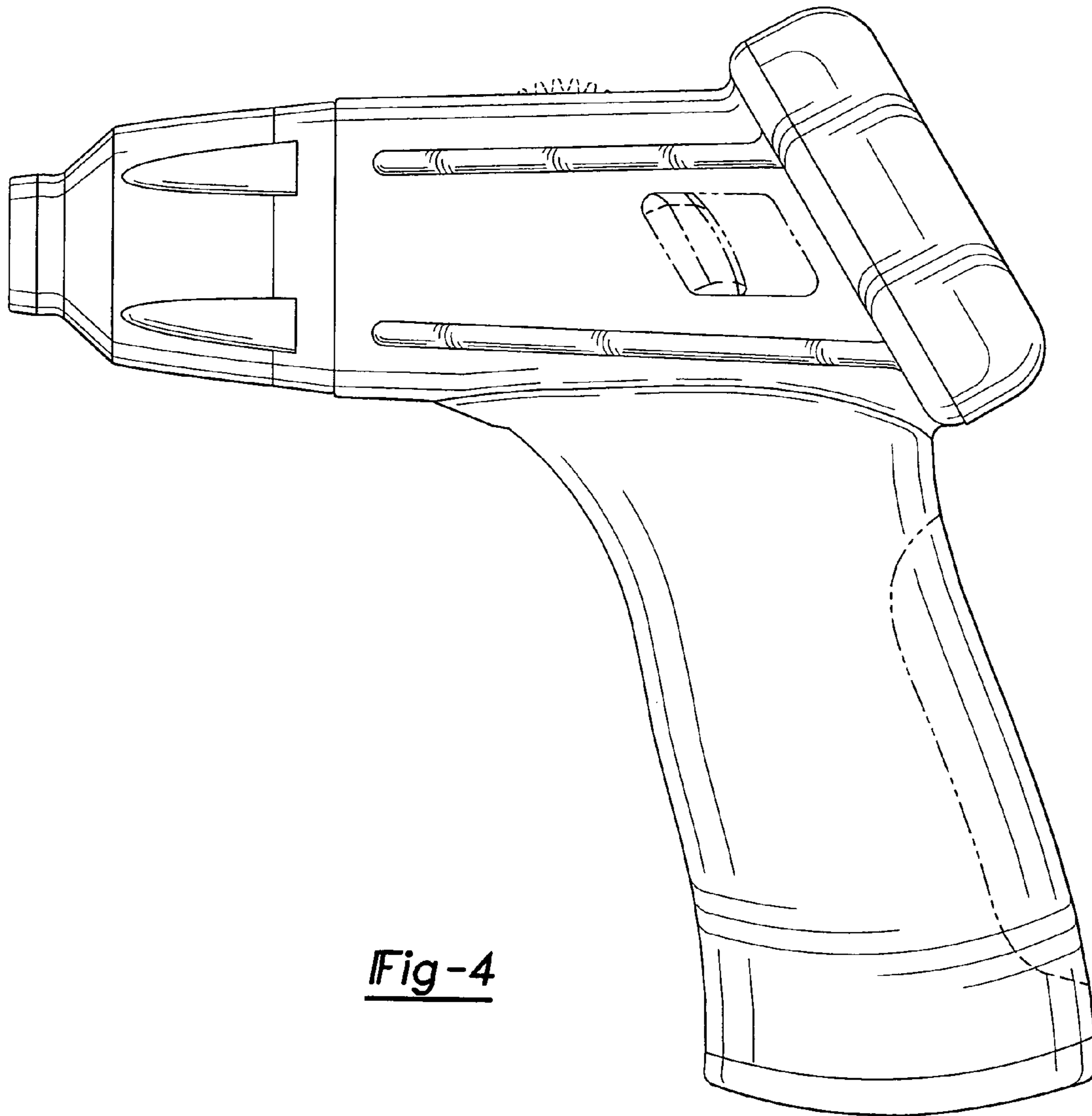


Fig-4

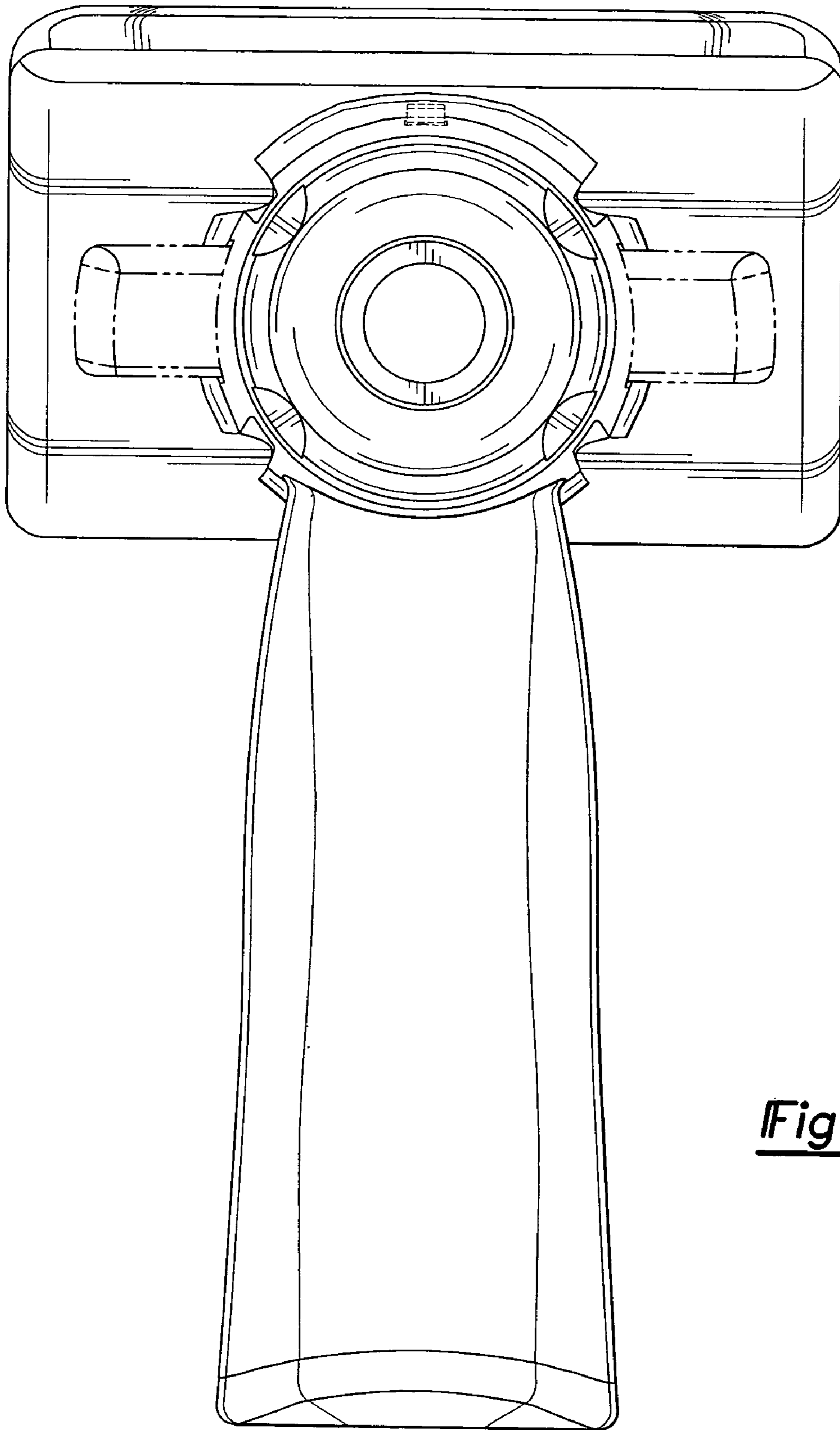


Fig-5

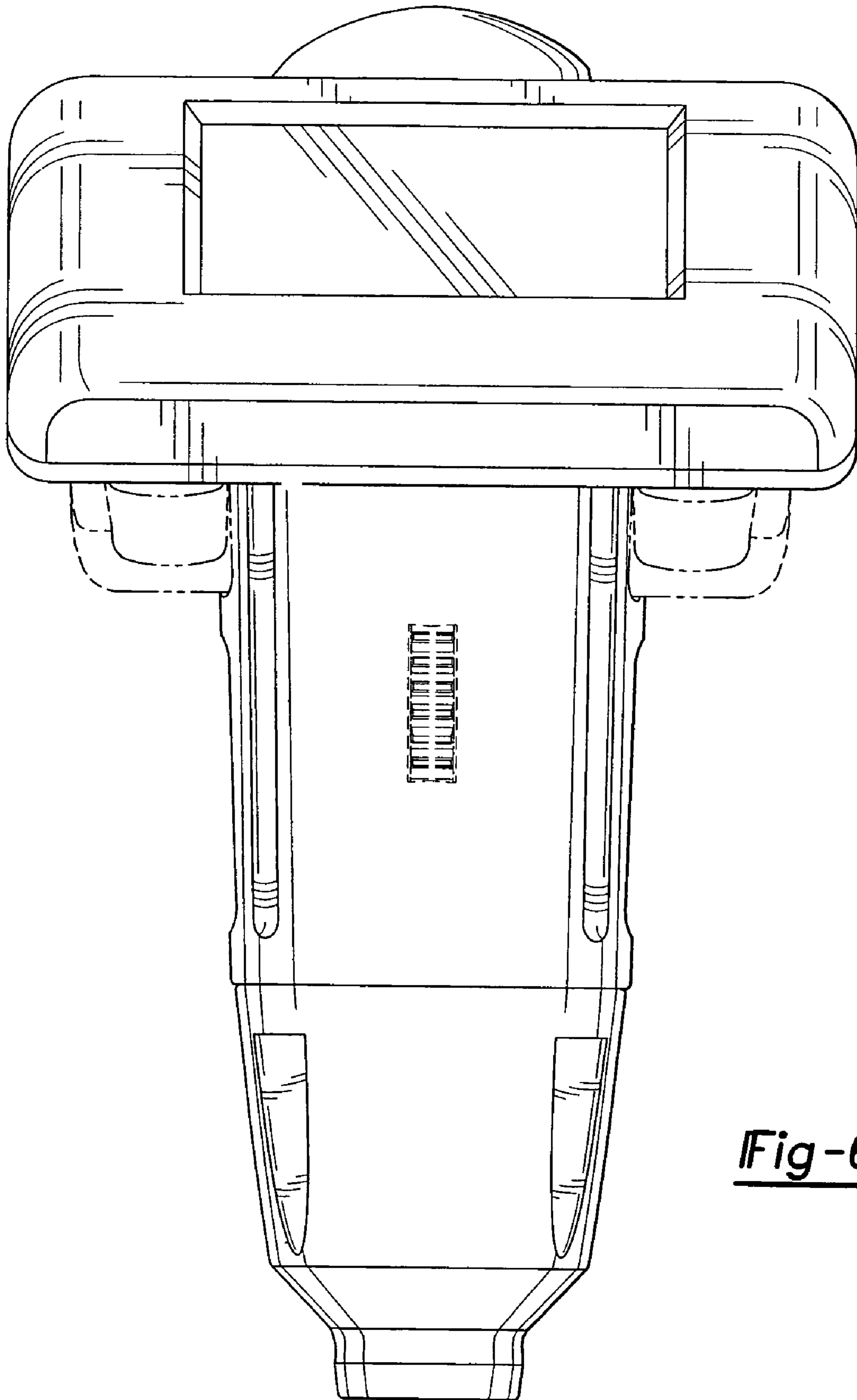


Fig-6

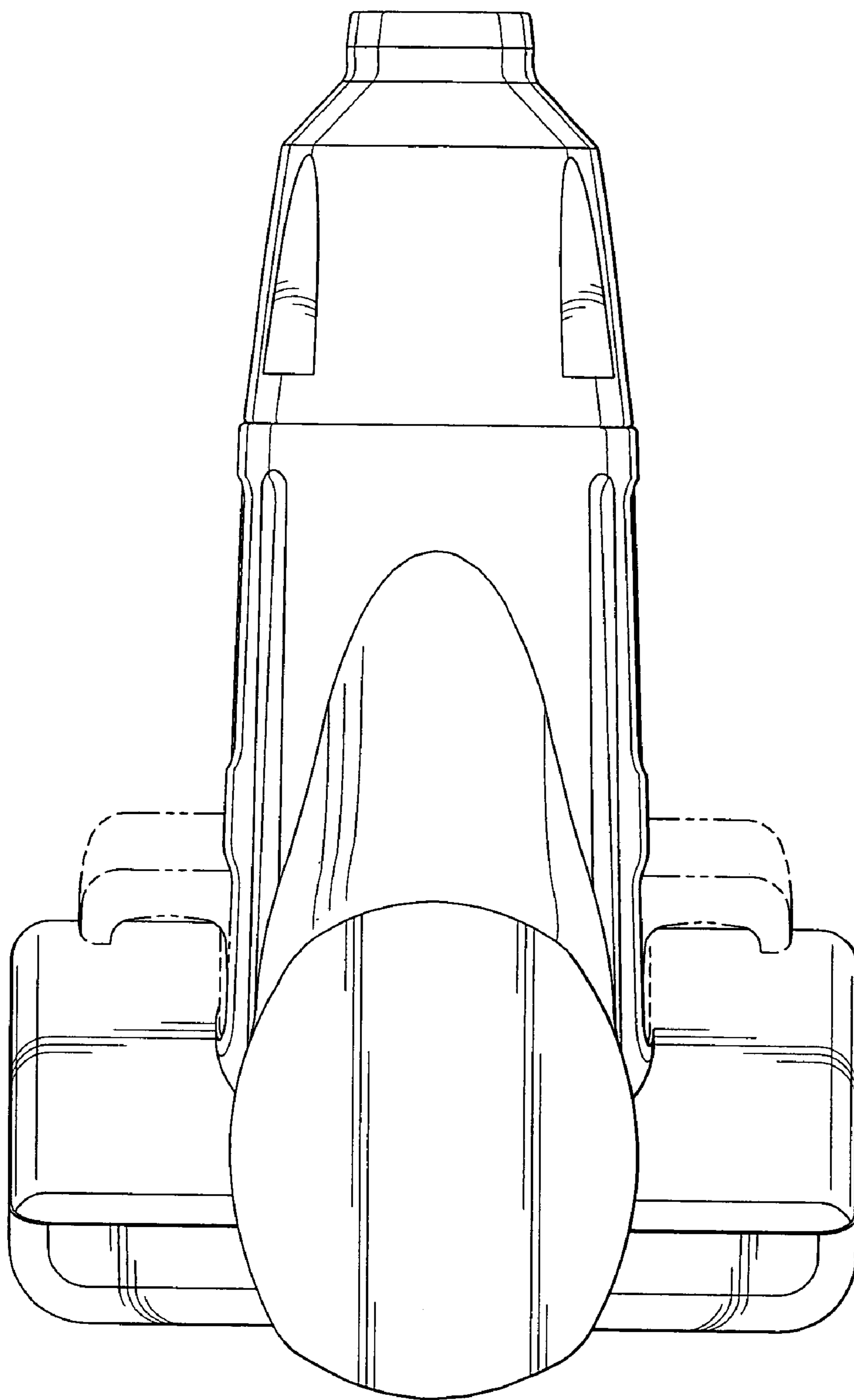


Fig-7

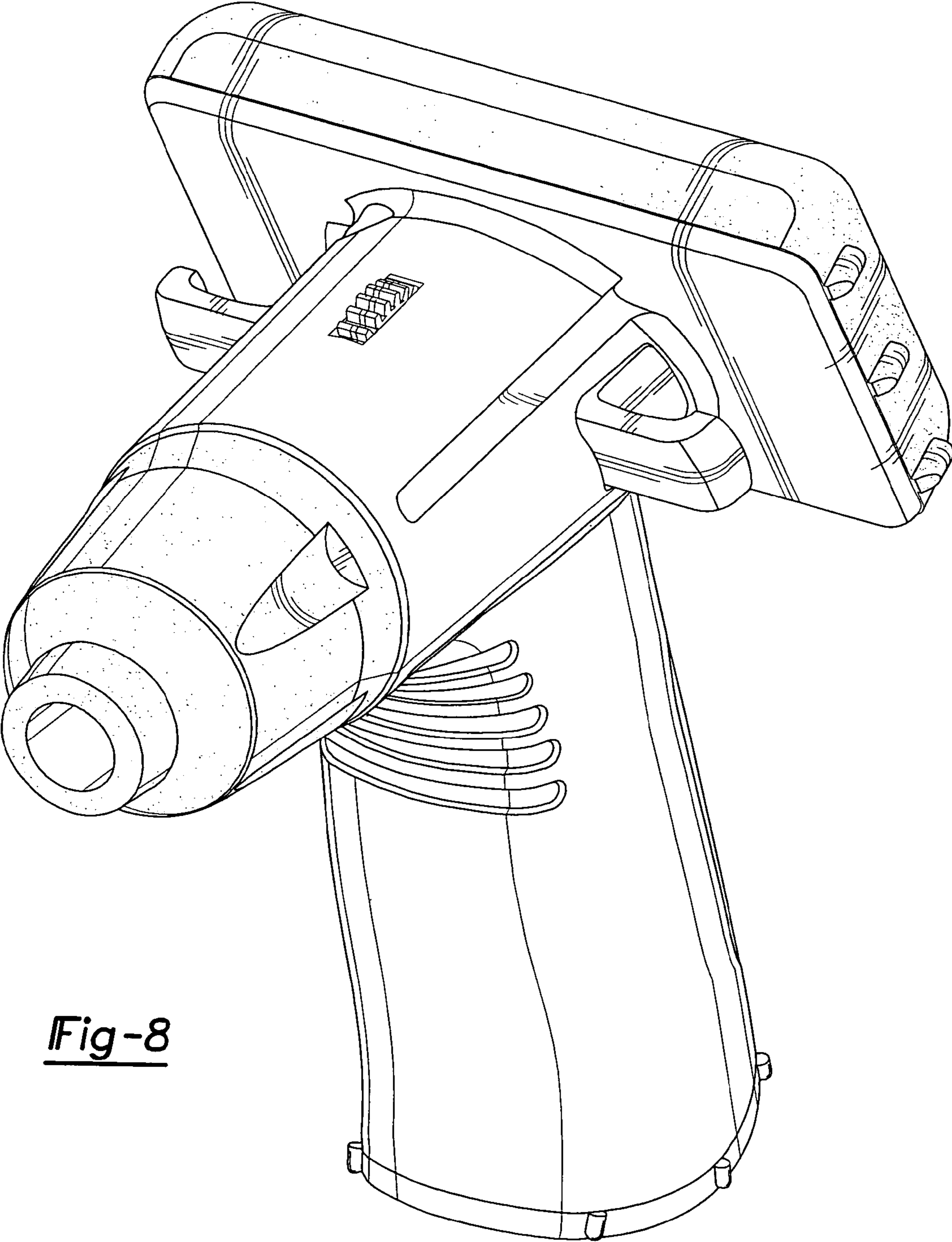


Fig-8

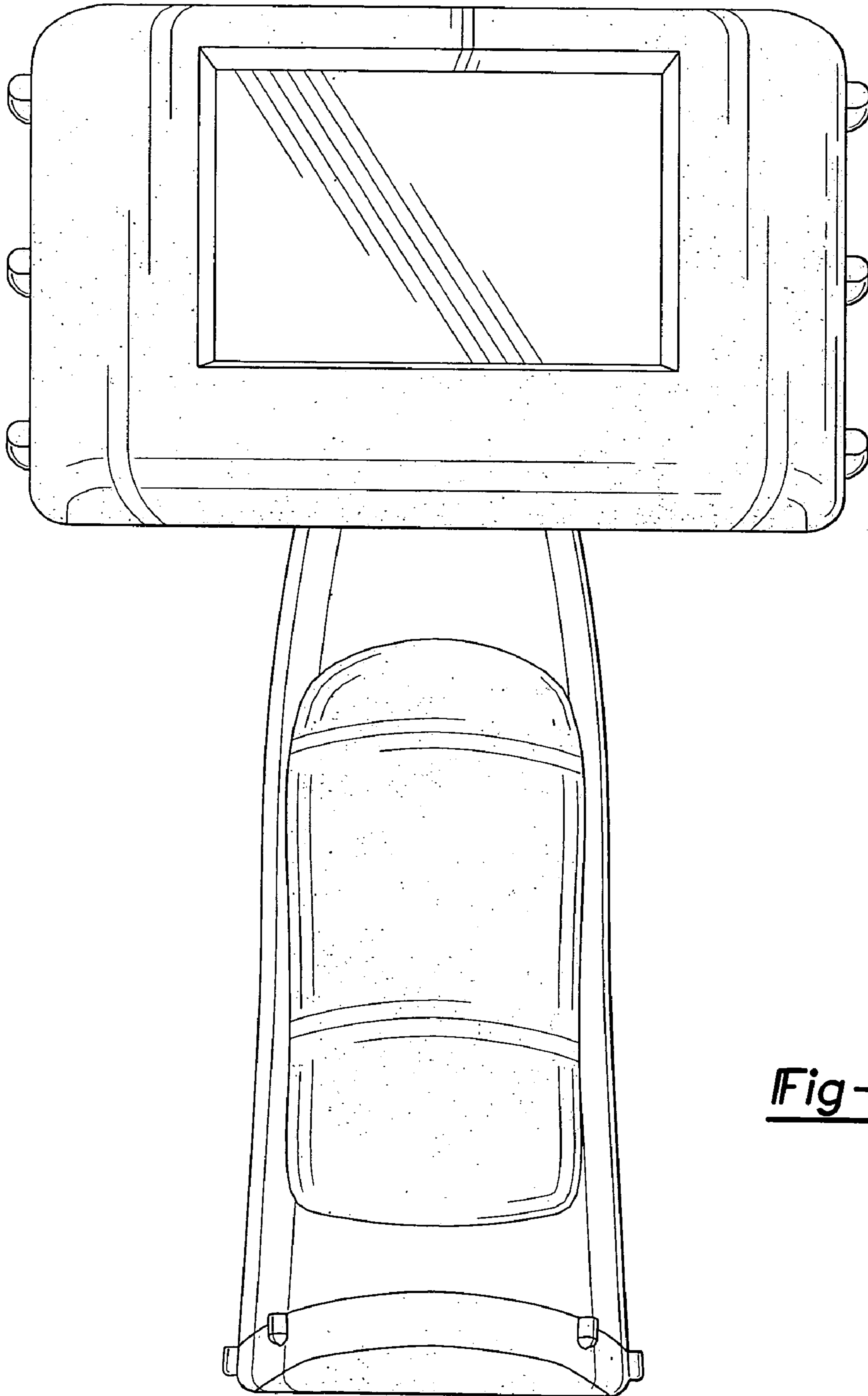


Fig-9

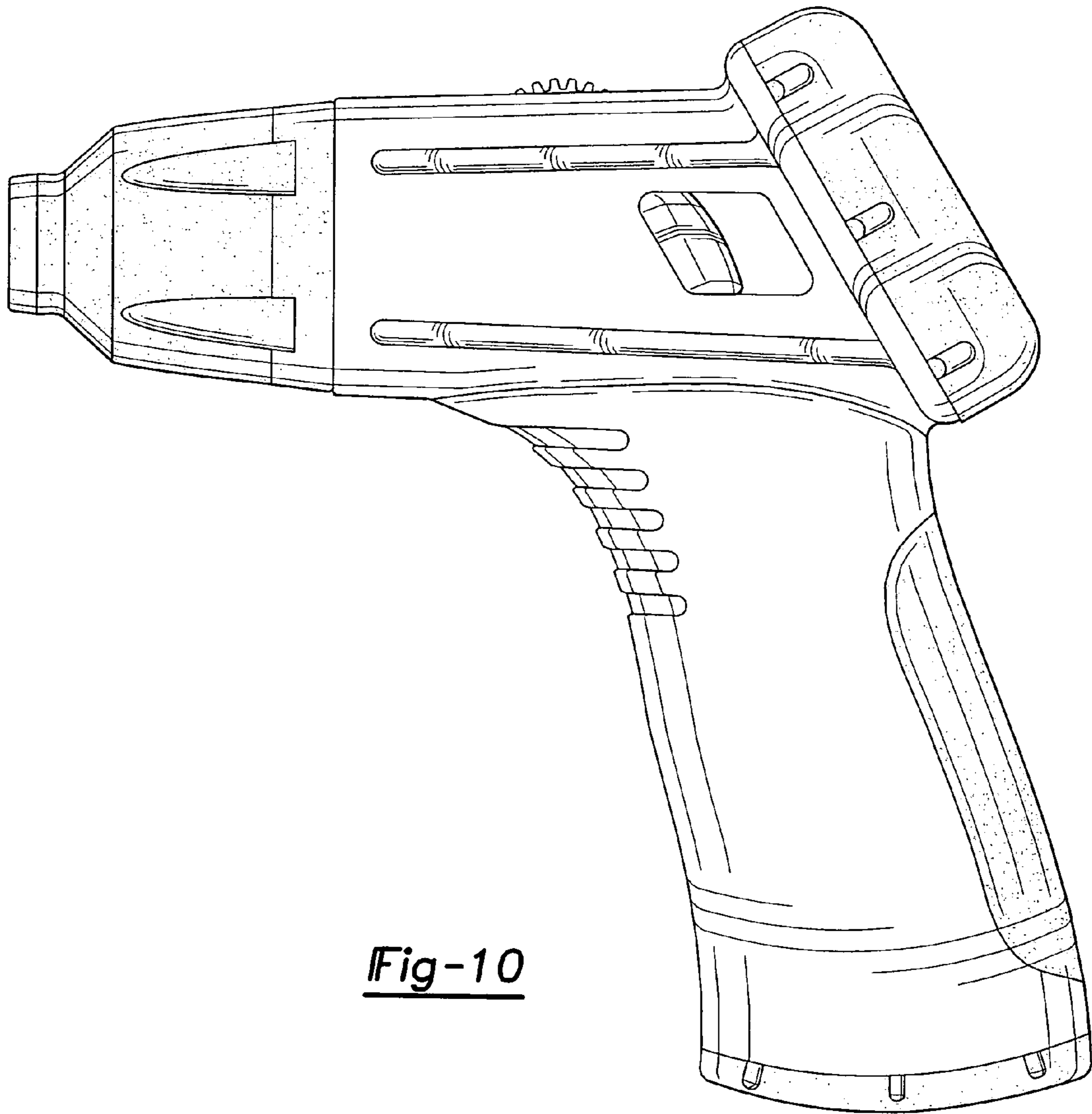


Fig-10

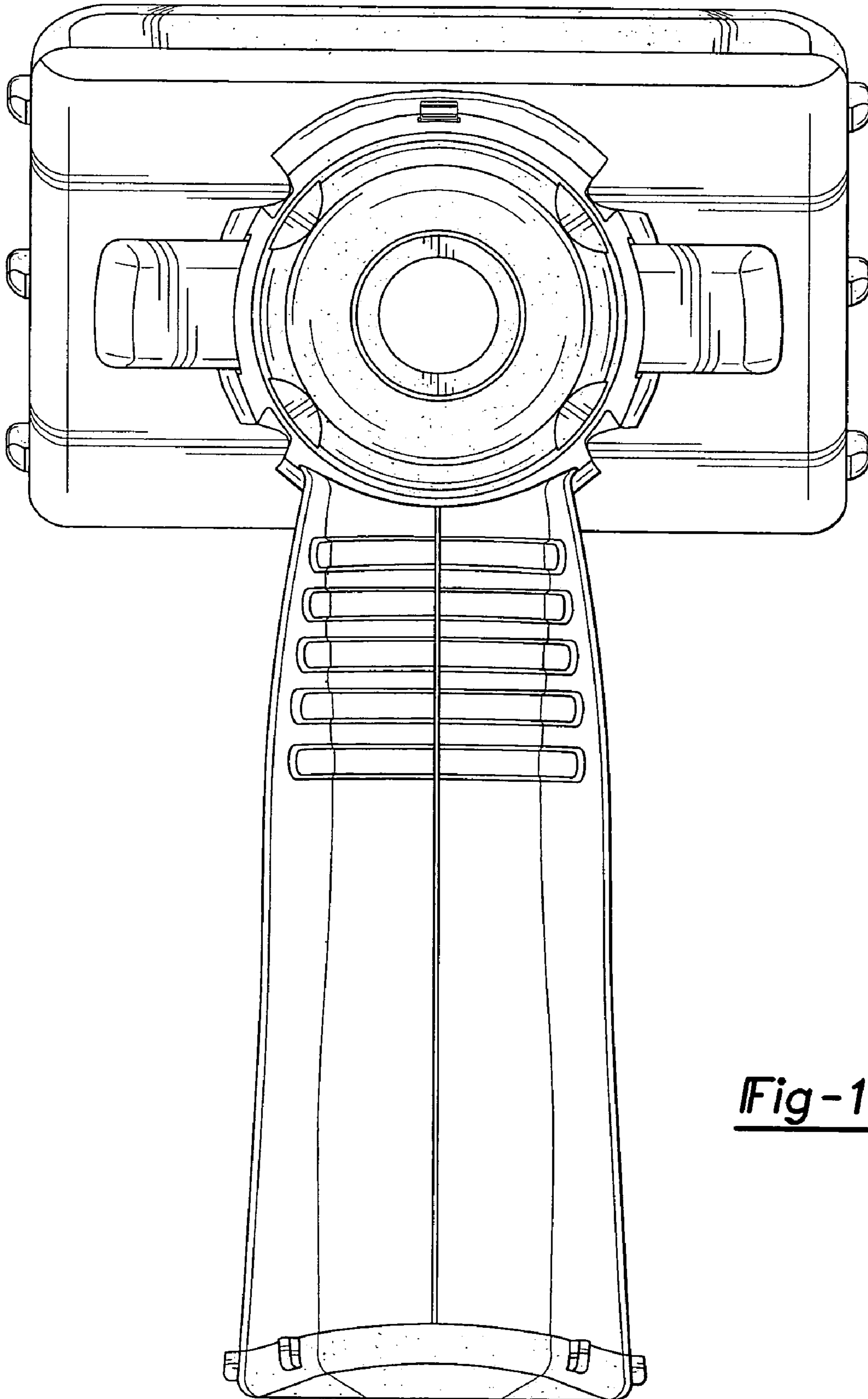


Fig-11

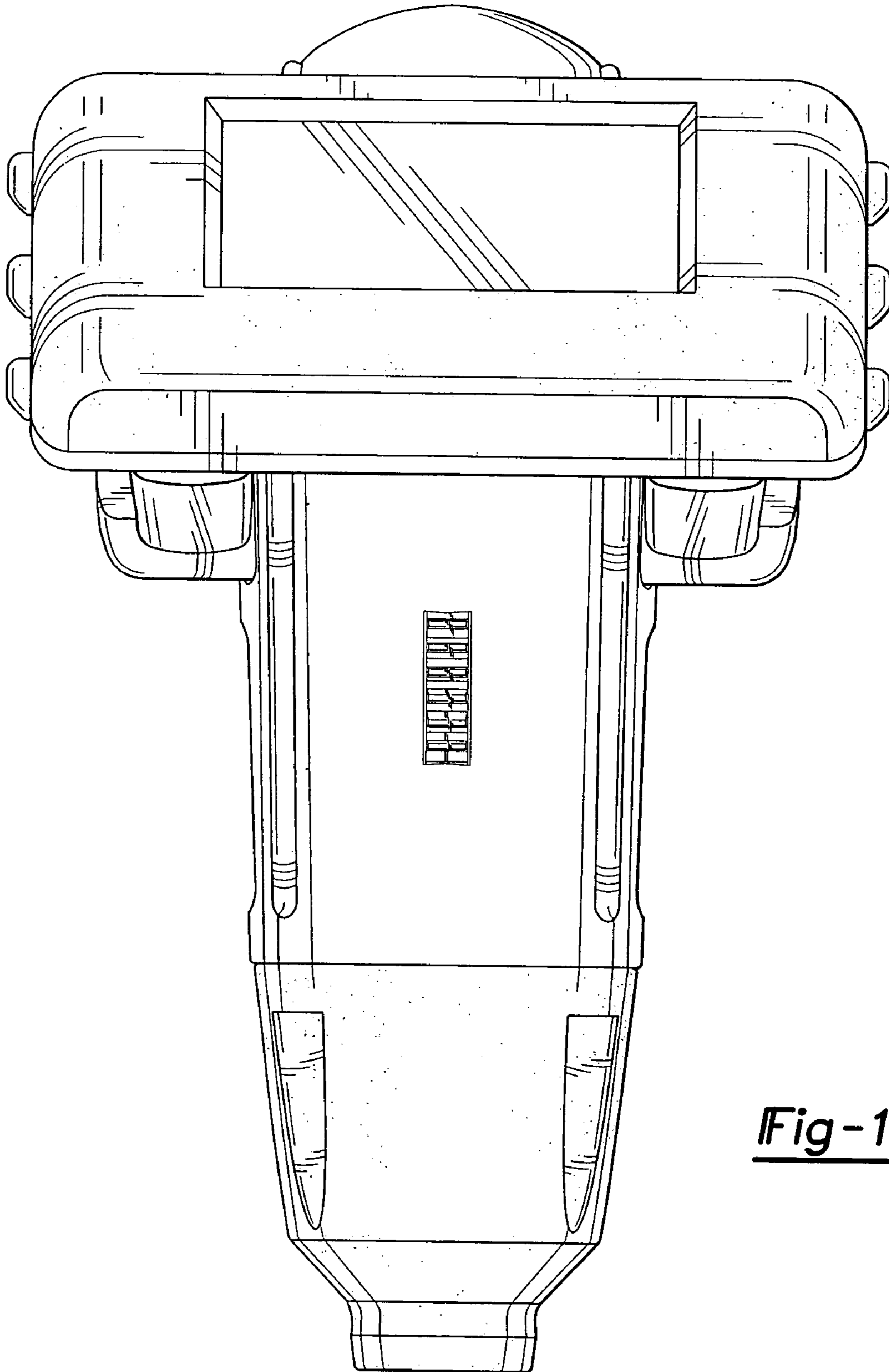


Fig-12

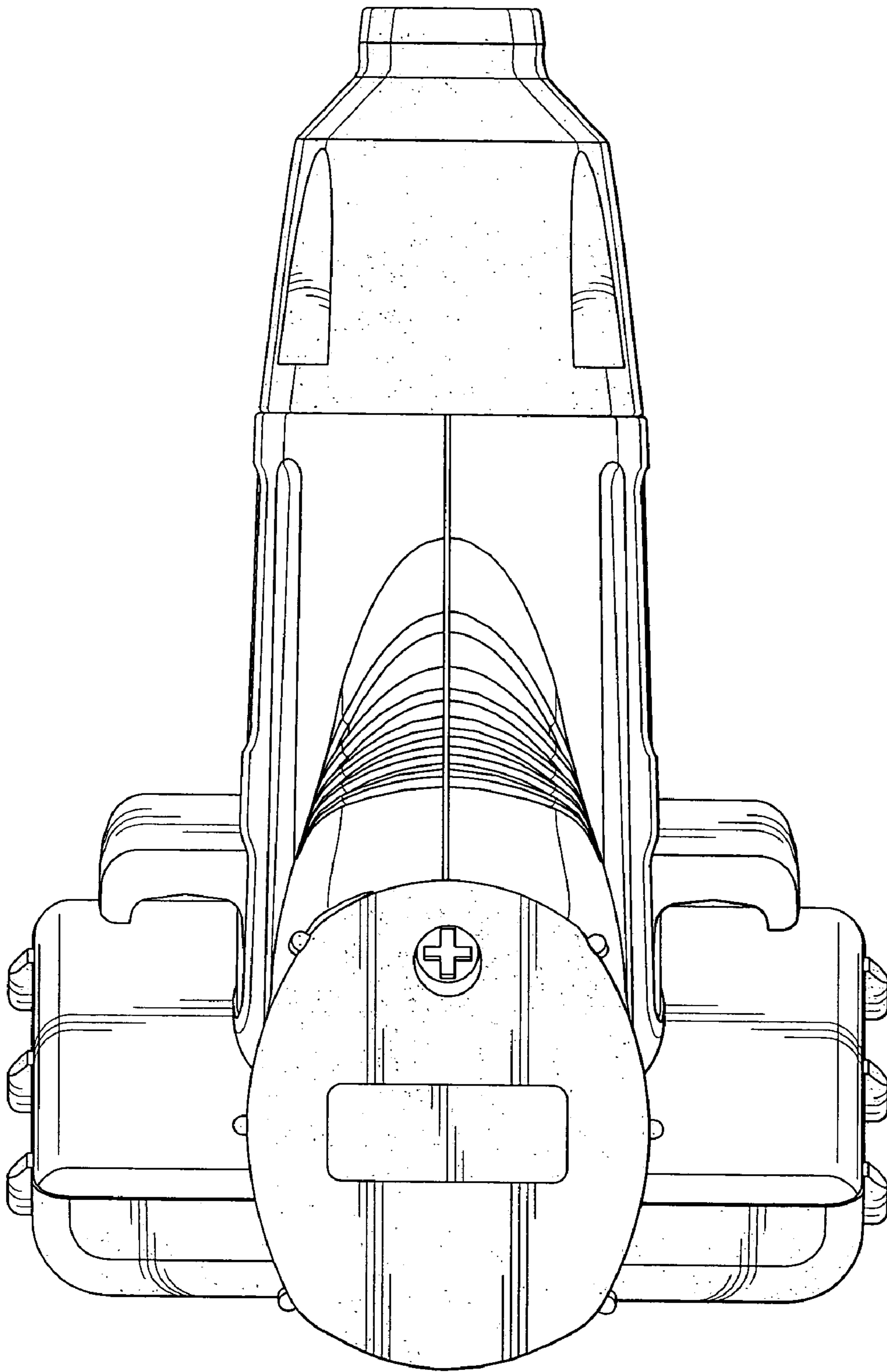


Fig-13

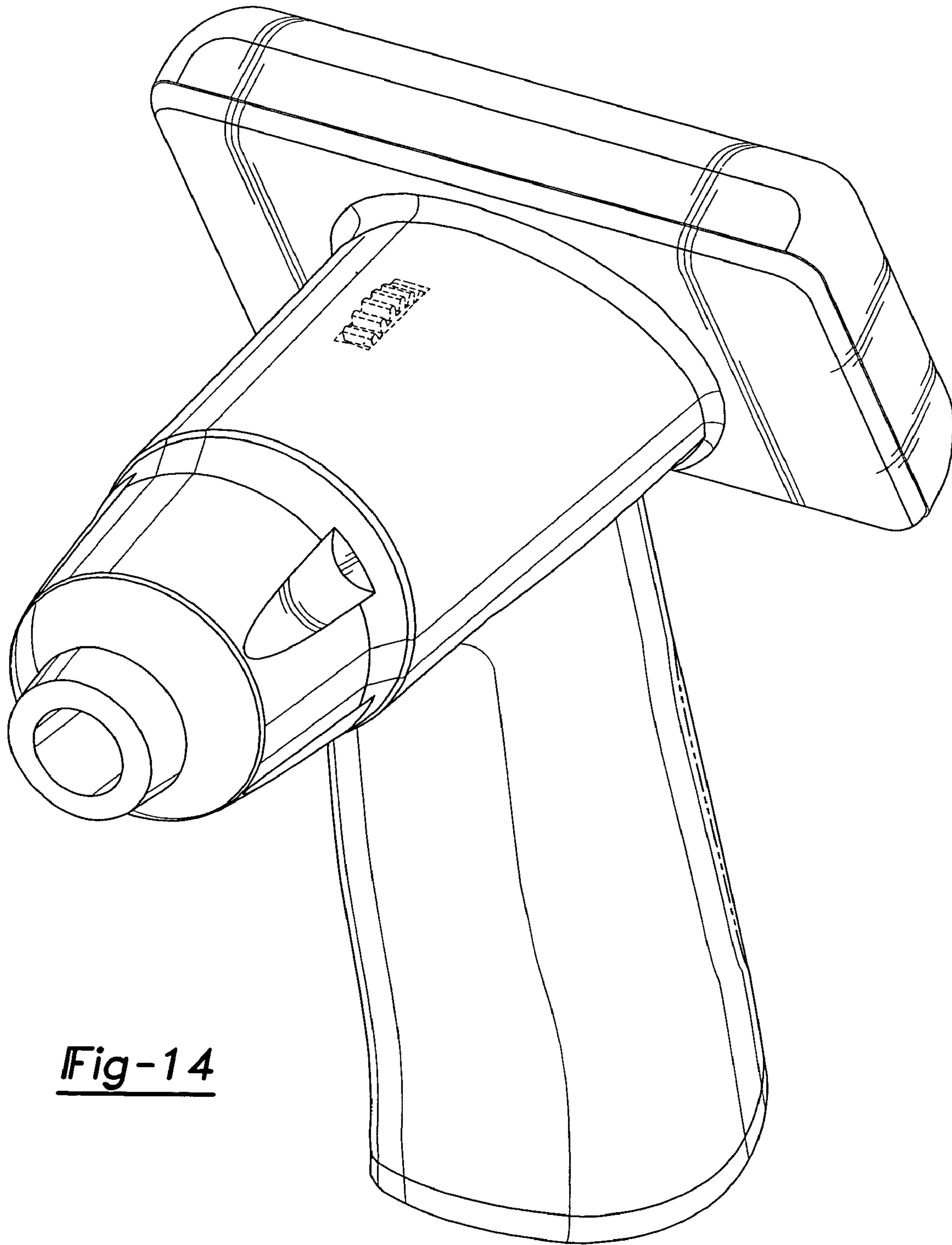


Fig-14

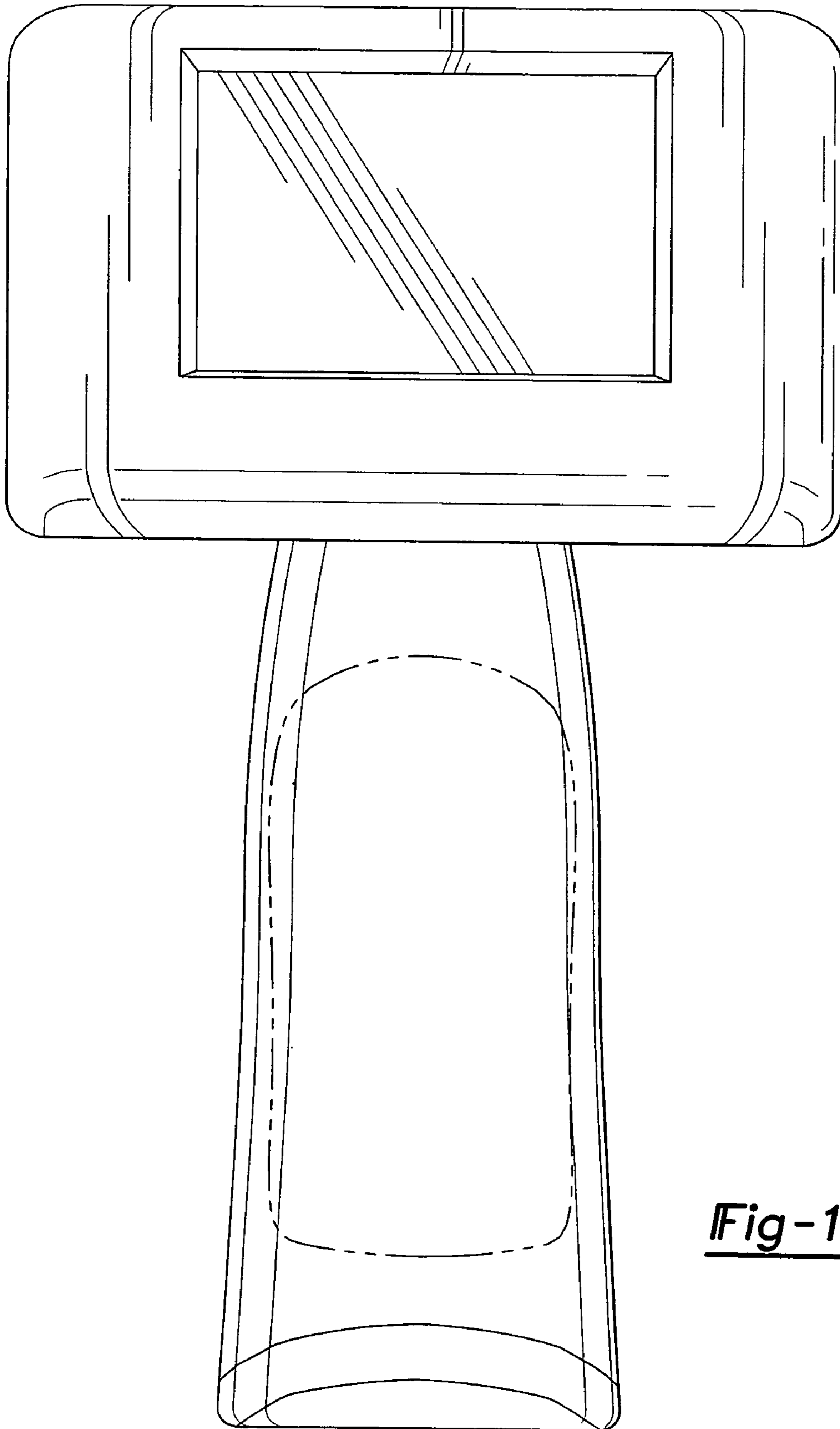


Fig-15

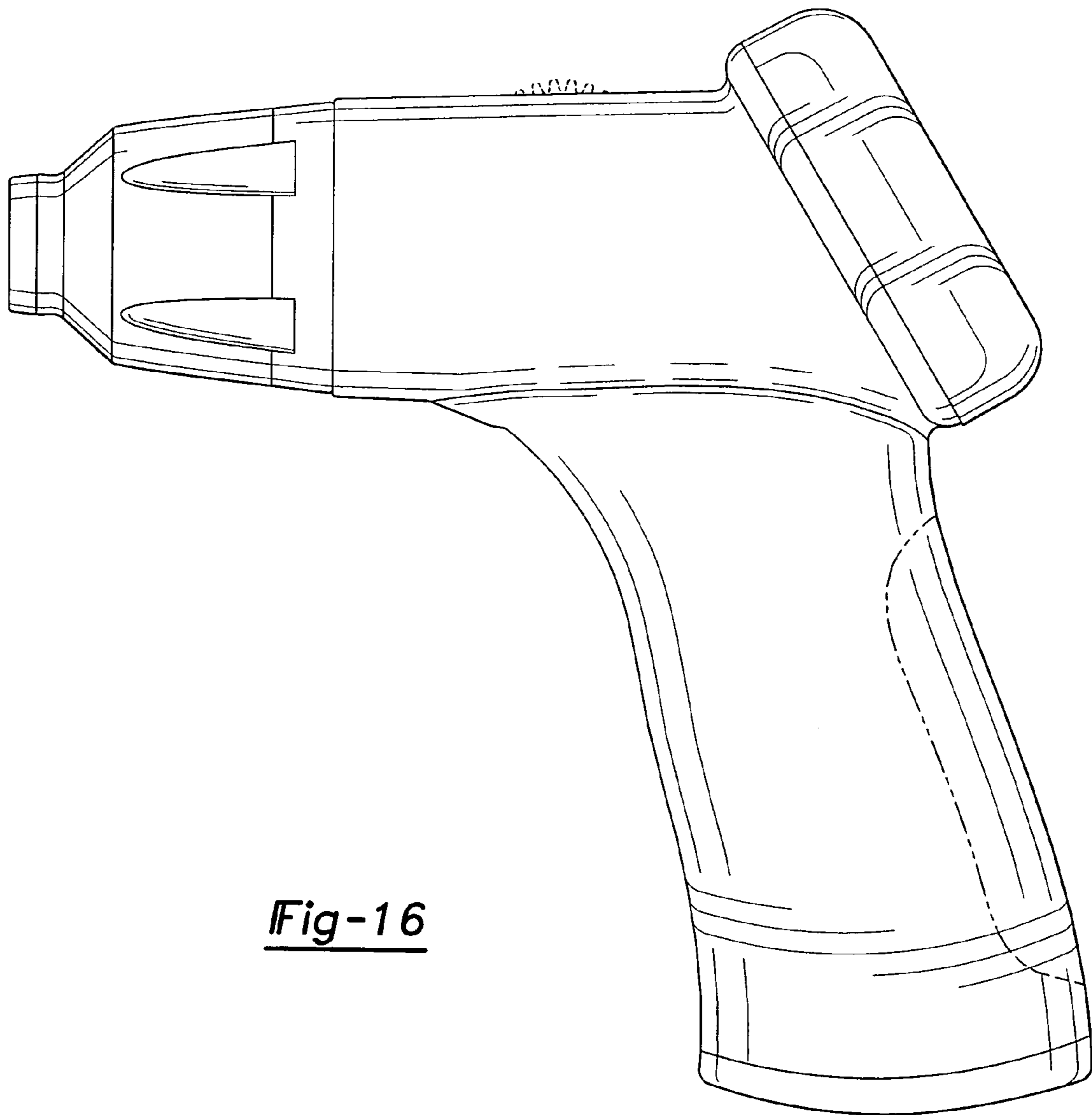


Fig-16

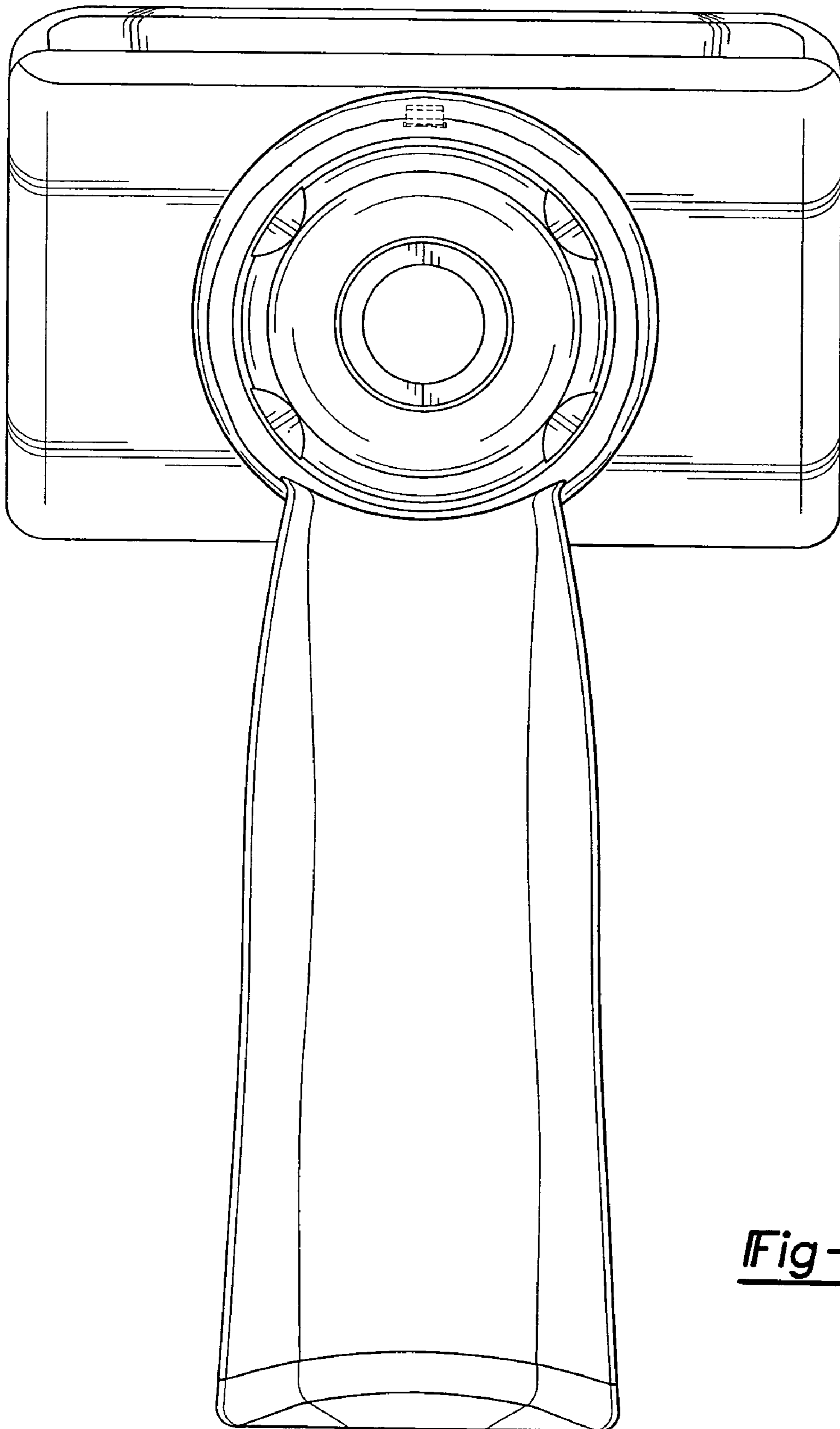


Fig-17

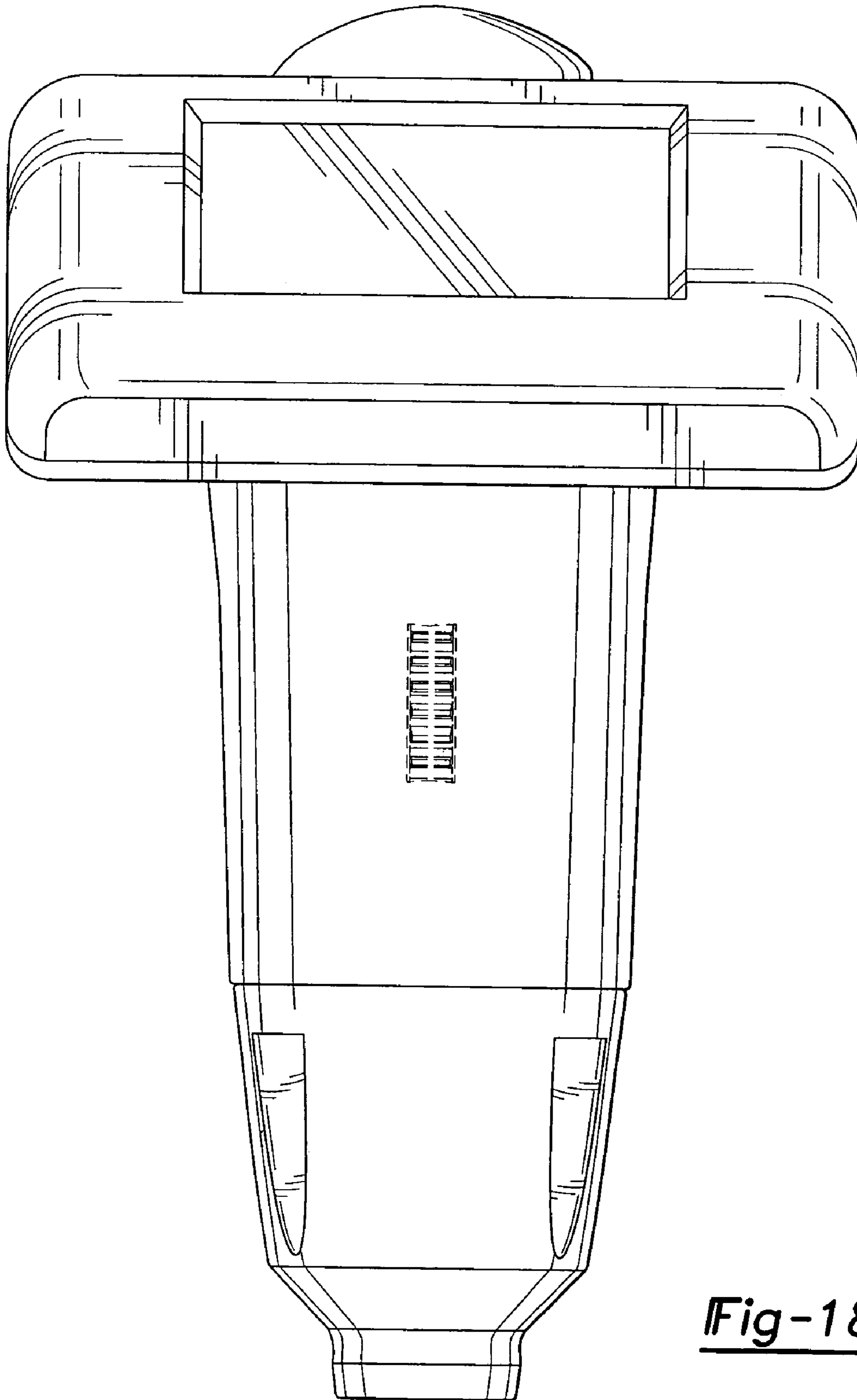


Fig-18

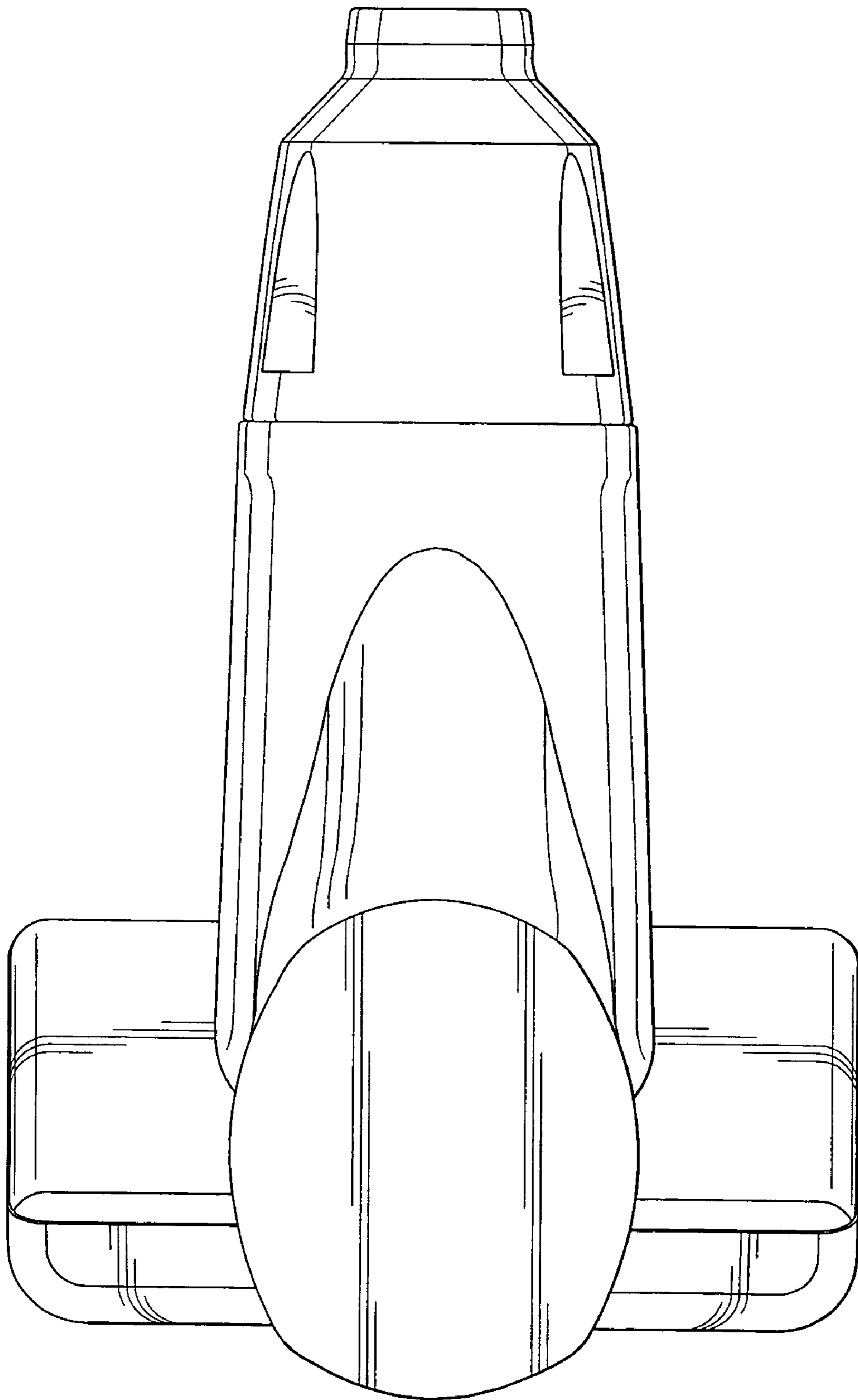


Fig-19