



US00D560803S

(12) **United States Design Patent**
Tassé et al.

(10) **Patent No.:** **US D560,803 S**
(45) **Date of Patent:** **** Jan. 29, 2008**

(54) **HANDLE FOR MEDICAL DEVICE**

(75) Inventors: **Daniel Tassé**, Montréal (CA); **Alain Martel**, Montréal (CA); **Lucie Laforest**, Montreal (CA)

(73) Assignee: **Cryocath Technologies Inc.**, Kirkland, Quebec (CA)

(**) Term: **14 Years**

(21) Appl. No.: **29/259,386**

(22) Filed: **May 8, 2006**

(51) **LOC (8) Cl.** **24-02**

(52) **U.S. Cl.** **D24/133; D24/130**

(58) **Field of Classification Search** D24/112, D24/113, 129, 130, 133, 138, 144, 216; 604/528, 604/523, 158, 164.13, 164.01, 95.01, 95.04; 600/585, 434

See application file for complete search history.

(56) **References Cited**

U.S. PATENT DOCUMENTS

4,043,341 A	8/1977	Tromovitch	
4,534,339 A	8/1985	Collins et al.	
4,838,269 A	6/1989	Robinson et al.	
4,919,112 A	4/1990	Siegmund	
4,946,440 A	8/1990	Hall	
5,078,713 A	1/1992	Varney	
5,098,428 A	3/1992	Sandlin et al.	
5,170,787 A	12/1992	Lindegren	
5,217,482 A	6/1993	Keith	
D338,958 S *	8/1993	Jensen D24/133
5,243,807 A	9/1993	Randlett	
D343,678 S *	1/1994	Snoke et al. D24/112
5,324,286 A	6/1994	Fowle	
5,334,181 A	8/1994	Rubinsky et al.	
5,348,554 A	9/1994	Imran et al.	

5,437,673 A	8/1995	Baust et al.	
5,452,582 A	9/1995	Longworth	
5,658,278 A	8/1997	Imran et al.	
5,674,218 A	10/1997	Rubinsky et al.	
5,685,878 A	11/1997	Falwell et al.	
5,697,927 A	12/1997	Imran et al.	
5,715,817 A	2/1998	Stevens-Wright et al.	
5,733,319 A	3/1998	Neilson et al.	
5,860,953 A	1/1999	Snoke et al.	
5,860,970 A	1/1999	Goddard et al.	
D405,881 S *	2/1999	Snoke et al. D24/112
5,916,212 A	6/1999	Baust et al.	
5,992,158 A	11/1999	Goddard et al.	
6,007,571 A	12/1999	Neilson et al.	
D433,752 S *	11/2000	Saravia D24/144

(Continued)

Primary Examiner—Ian Simmons

Assistant Examiner—Carissa C Fitts

(74) *Attorney, Agent, or Firm*—Christopher & Weisberg, P.A.

(57) **CLAIM**

The ornamental design for a handle for a medical device, as shown.

DESCRIPTION

FIG. 1 is front perspective view of a handle for a medical device in accordance with the invention;

FIG. 2 is a top view thereof;

FIG. 3 is a bottom view thereof;

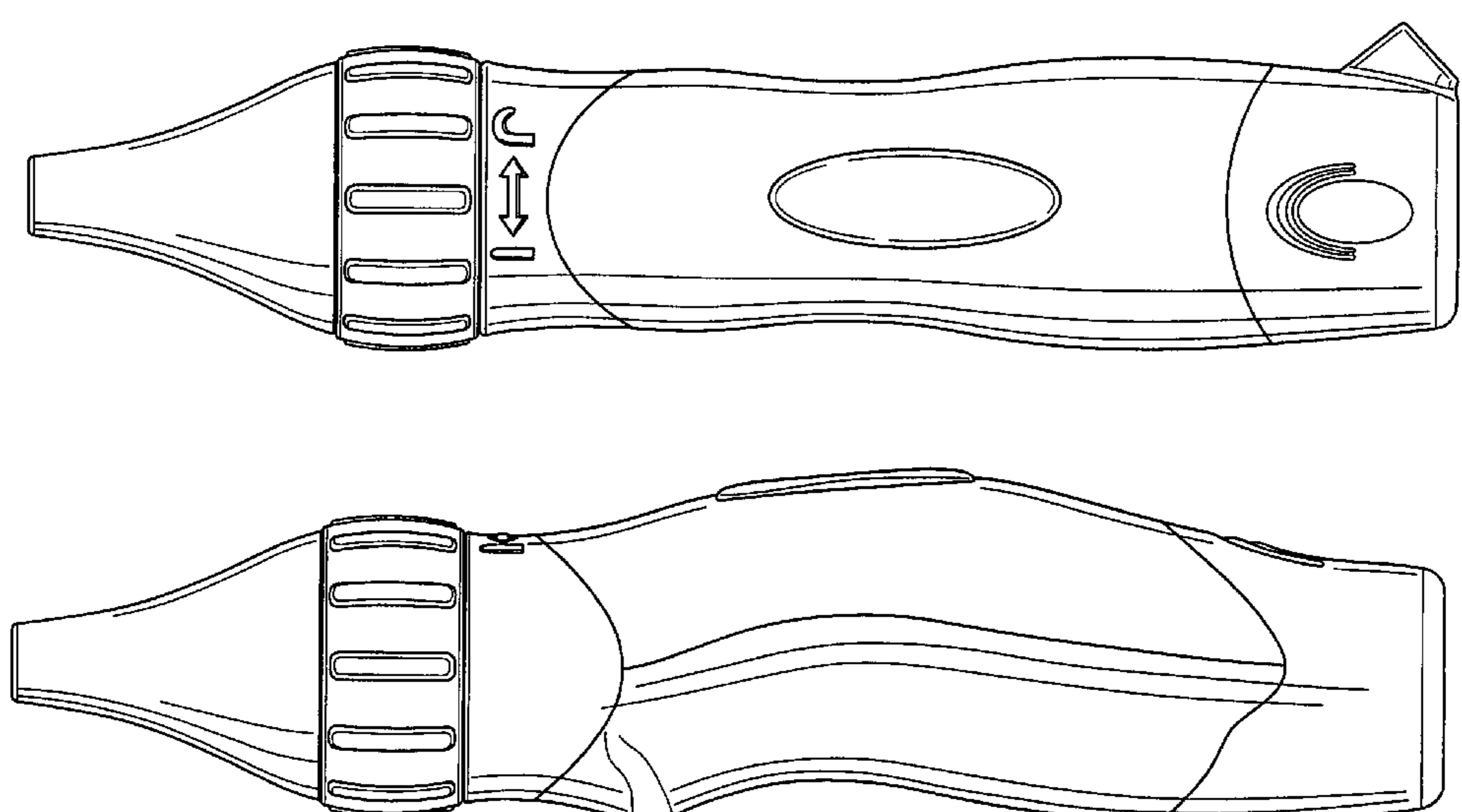
FIG. 4 is a right side view thereof;

FIG. 5 is a left side view thereof;

FIG. 6 is a front view thereof; and,

FIG. 7 is a rear view thereof.

1 Claim, 4 Drawing Sheets



US D560,803 S

Page 2

U.S. PATENT DOCUMENTS

6,183,435 B1 *	2/2001	Bumbalough et al. ...	604/95.01	6,468,269 B1	10/2002	Korpan et al.	
6,193,644 B1	2/2001	Dobak, III et al.		6,471,694 B1	10/2002	Kudaravalli et al.	
6,203,507 B1 *	3/2001	Wadsworth et al.	600/585	6,497,703 B1	12/2002	Korteling et al.	
6,221,070 B1	4/2001	Tu et al.		6,648,879 B2	11/2003	Joye et al.	
6,224,624 B1	5/2001	Lasheras et al.		6,652,506 B2 *	11/2003	Bowe et al.	604/523
6,241,722 B1	6/2001	Dobak et al.		D492,031 S *	6/2004	Cindrich et al.	D24/130
6,283,959 B1	9/2001	Lalonde et al.		6,746,445 B2	6/2004	Abboud et al.	
D453,833 S *	2/2002	Hess	D24/144	D498,844 S *	11/2004	Diamond et al.	D24/130
D454,951 S *	3/2002	Bon	D24/112	6,989,009 B2	1/2006	Lafontaine	
6,383,180 B1	5/2002	Lalonde et al.		D536,786 S *	2/2007	Schreiner et al.	D24/133
6,440,126 B1	8/2002	Abboud et al.		2003/0028182 A1	2/2003	Abboud et al.	

* cited by examiner

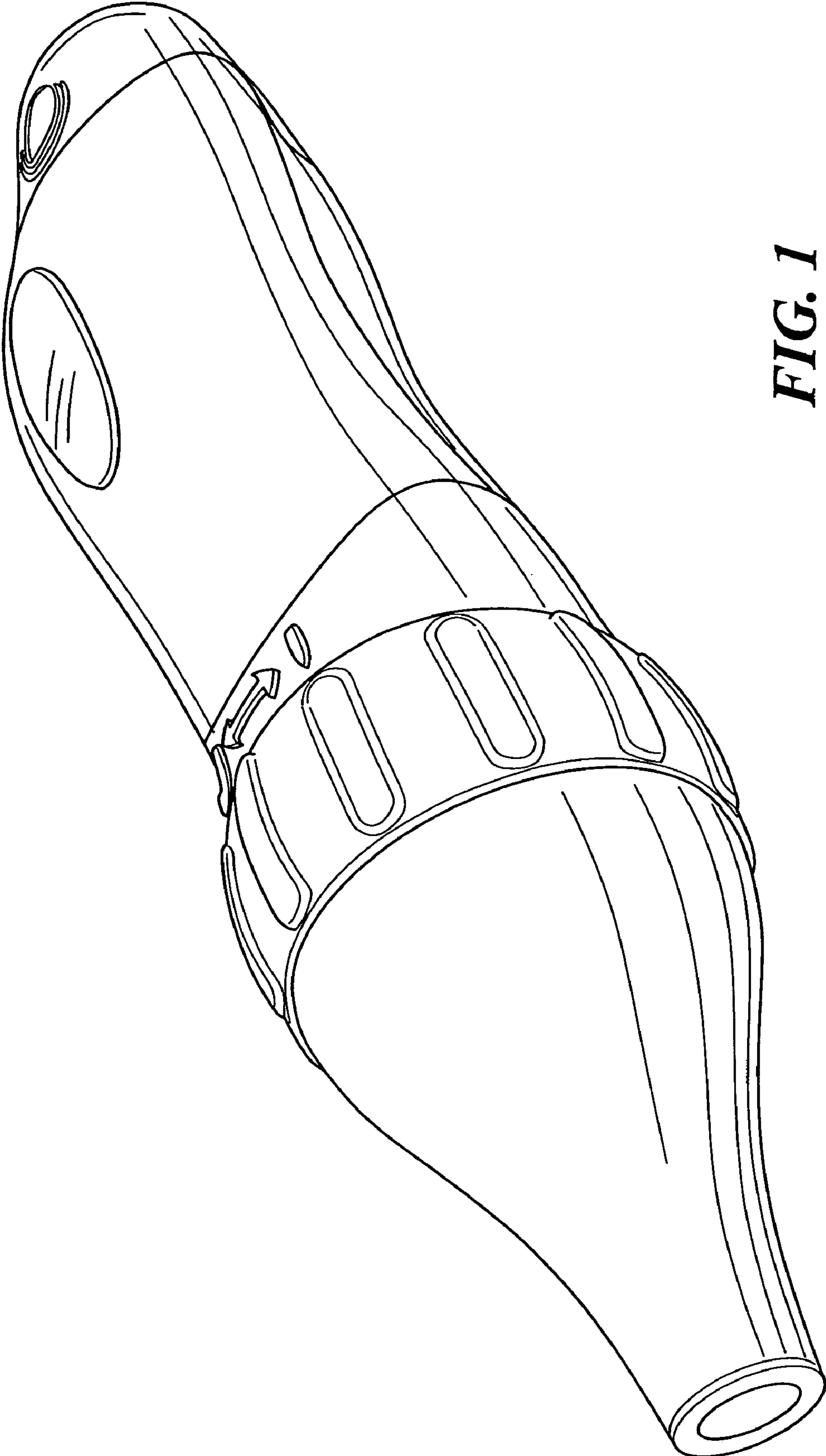


FIG. 1

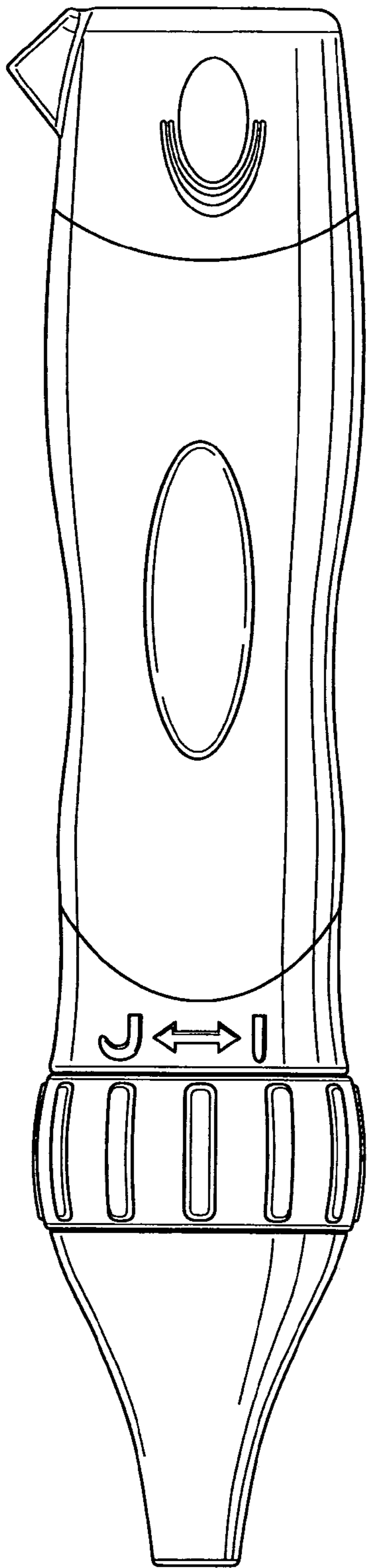


FIG. 2

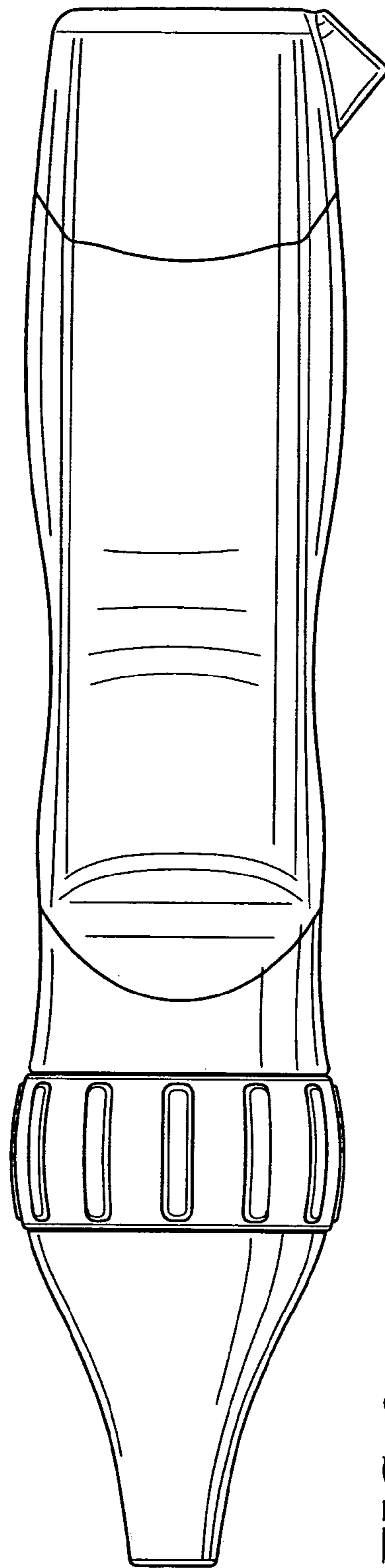


FIG. 3

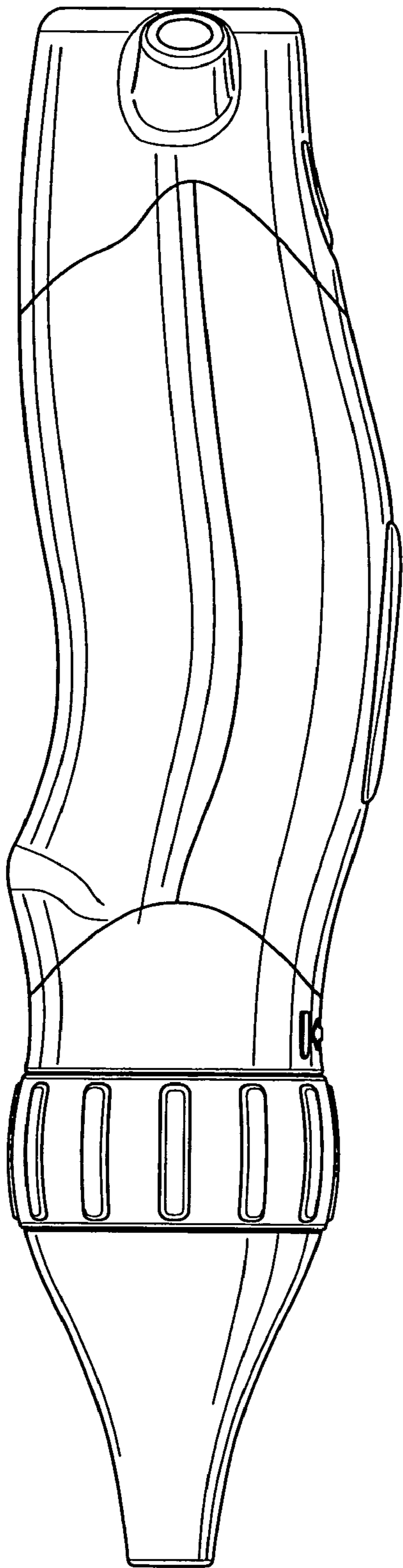


FIG. 4

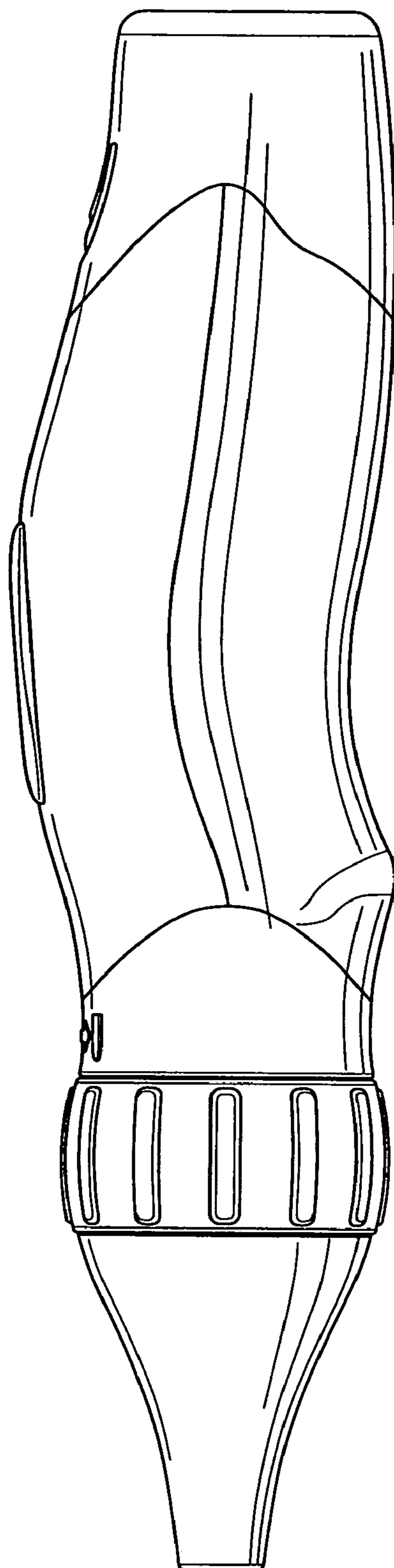


FIG. 5

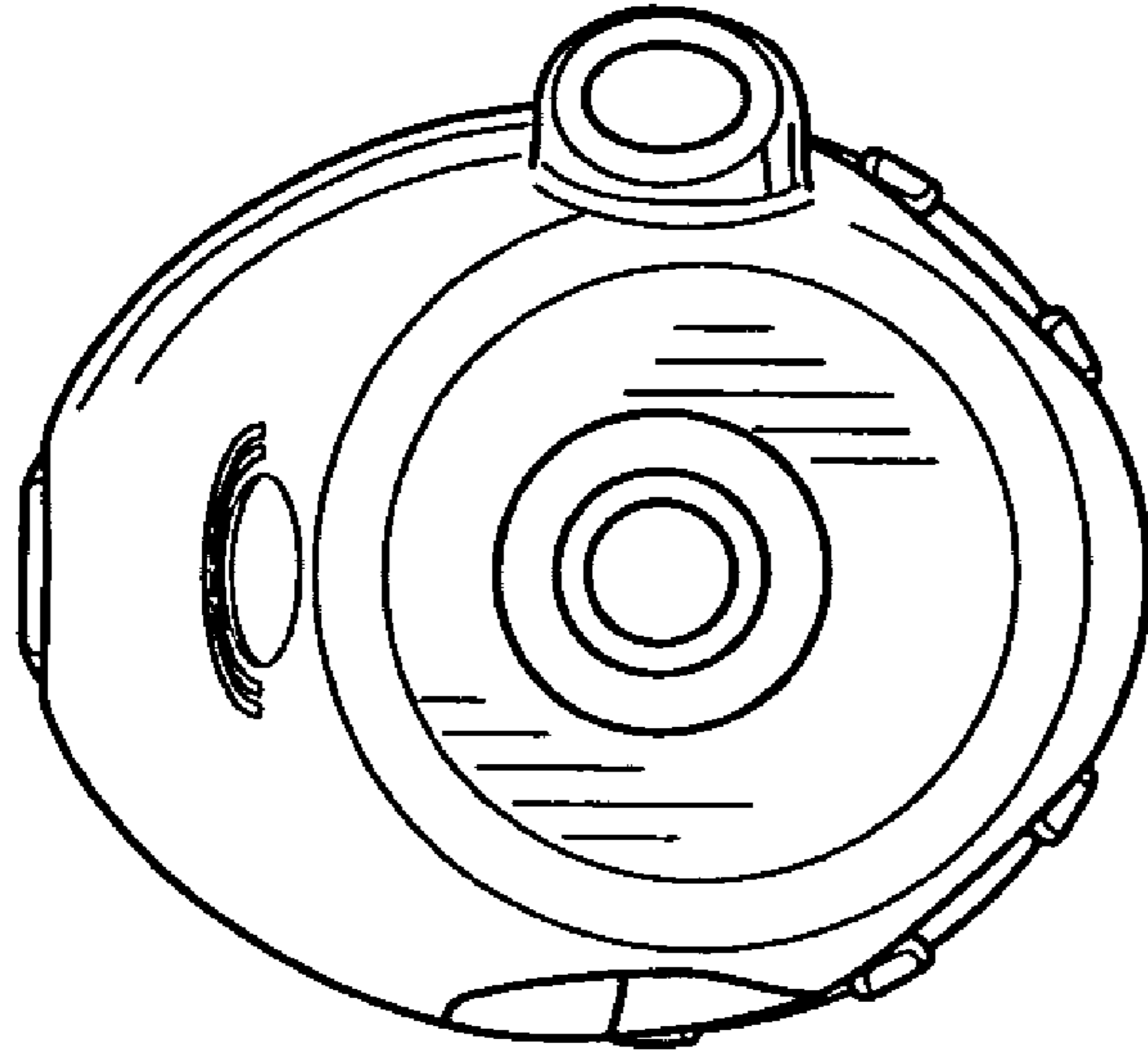


FIG. 7

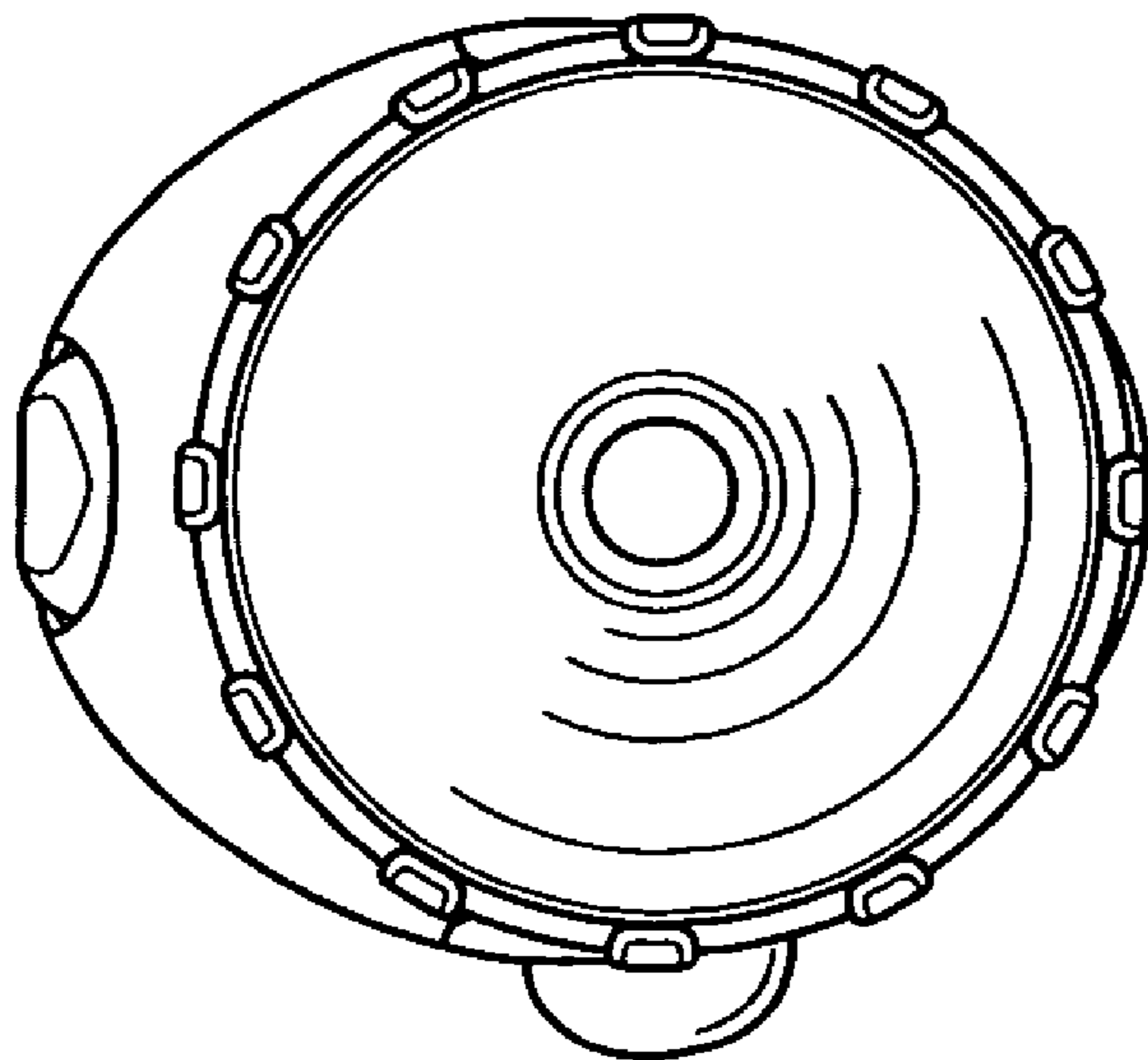


FIG. 6