



US00D560801S

(12) **United States Design Patent** (10) **Patent No.:** **US D560,801 S**  
**Otto** (45) **Date of Patent:** **\*\* Jan. 29, 2008**

(54) **URINE COLLECTION RECEPTACLE**

(76) Inventor: **Edgar A. Otto**, 8558 Horseshoe La.,  
Boca Raton, FL (US) 33496

(\*\*) Term: **14 Years**

(21) Appl. No.: **29/285,042**

(22) Filed: **Mar. 20, 2007**

(51) **LOC (8) Cl.** ..... **24-02**

(52) **U.S. Cl.** ..... **D24/122**

(58) **Field of Classification Search** ..... D24/122,  
D24/123, 121, 224; D23/274, 302, 295,  
D23/309; 4/114.1, 144.1-144.4, 459, 460;  
604/317, 318, 334, 329; 600/573, 584; 141/106  
See application file for complete search history.

(56) **References Cited**

**U.S. PATENT DOCUMENTS**

3,177,500	A *	4/1965	Bauman	.....	4/144.3
D285,348	S *	8/1986	Matthews	.....	D24/122
D289,690	S *	5/1987	Hanson	.....	D24/122
4,846,819	A *	7/1989	Welch	.....	604/329
RE33,686	E *	9/1991	Parrish	.....	600/584
D336,129	S *	6/1993	Rawlinson et al.	.....	D24/122
5,285,532	A *	2/1994	Sealy	.....	4/144.3
5,370,637	A *	12/1994	Brodeur	.....	604/329
D362,716	S *	9/1995	Kolada	.....	D23/302
D370,975	S *	6/1996	Mohr	.....	D24/122
D379,225	S *	5/1997	Canahuate et al.	.....	D24/122
5,983,960	A *	11/1999	Haugh	.....	141/106
D425,983	S *	5/2000	Wilkinson et al.	.....	D24/122
D426,302	S *	6/2000	Wilkinson	.....	D24/122
6,311,339	B1	11/2001	Kraus		
6,651,259	B1 *	11/2003	Hartman et al.	.....	4/144.1
6,857,137	B2	2/2005	Otto		

6,904,621 B2 6/2005 Otto et al.

\* cited by examiner

*Primary Examiner*—Ian Simmons

*Assistant Examiner*—David G Muller

(74) *Attorney, Agent, or Firm*—Christopher & Weisberg,  
P.A.

(57) **CLAIM**

The ornamental design for a urine collection receptacle, as shown and described.

**DESCRIPTION**

FIG. 1 is perspective view of an embodiment of a urine collection receptacle in accordance with the present invention;

FIG. 2 is a first side view thereof;

FIG. 3 is a second side view thereof;

FIG. 4 is a top view thereof;

FIG. 5 is a bottom view thereof;

FIG. 6 is a rear view thereof;

FIG. 7 is a front view thereof;

FIG. 8 is perspective view of another embodiment of a urine collection receptacle in accordance with the present invention;

FIG. 9 is a first side view thereof;

FIG. 10 is a second side view thereof;

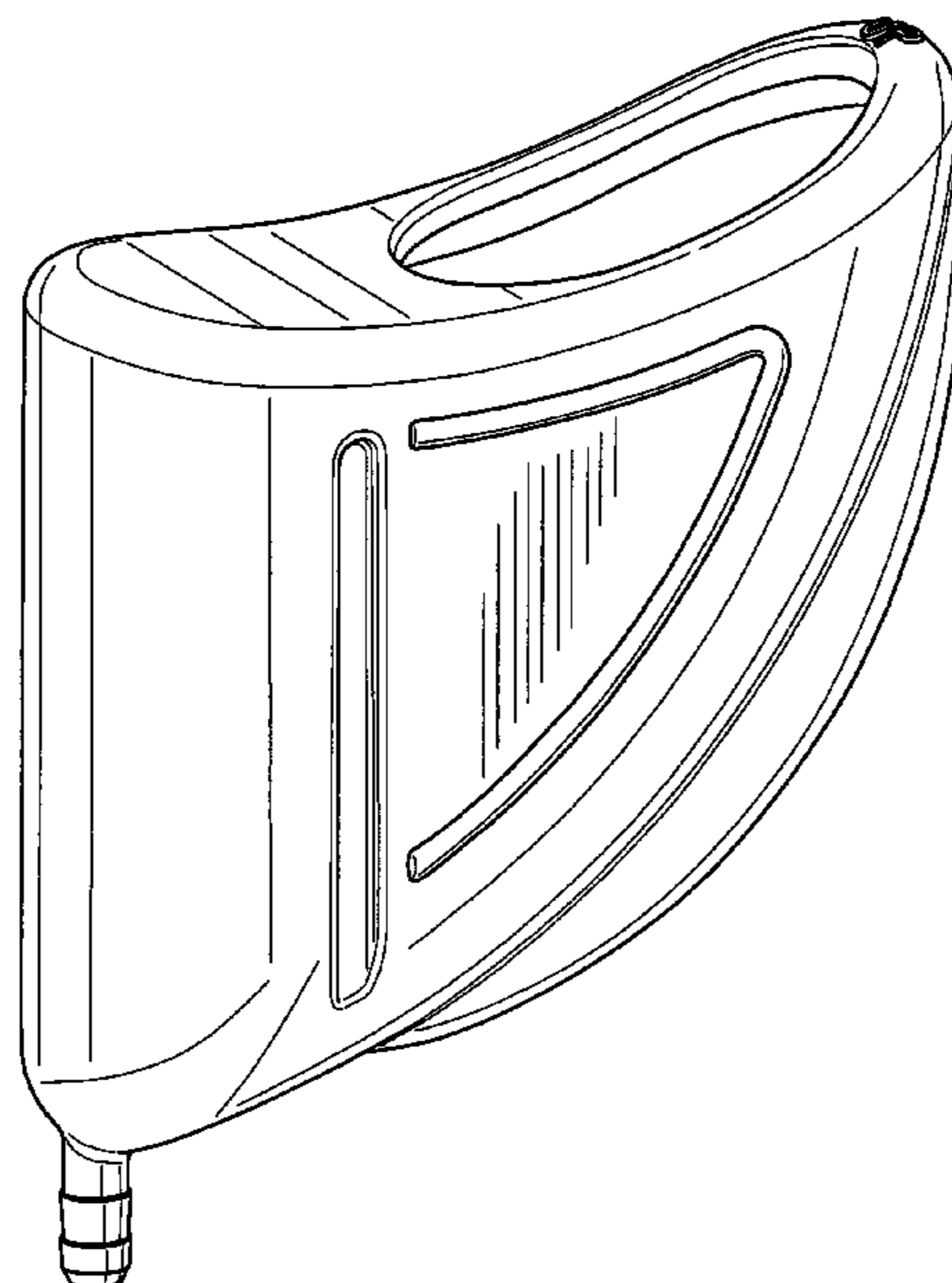
FIG. 11 is a top view thereof;

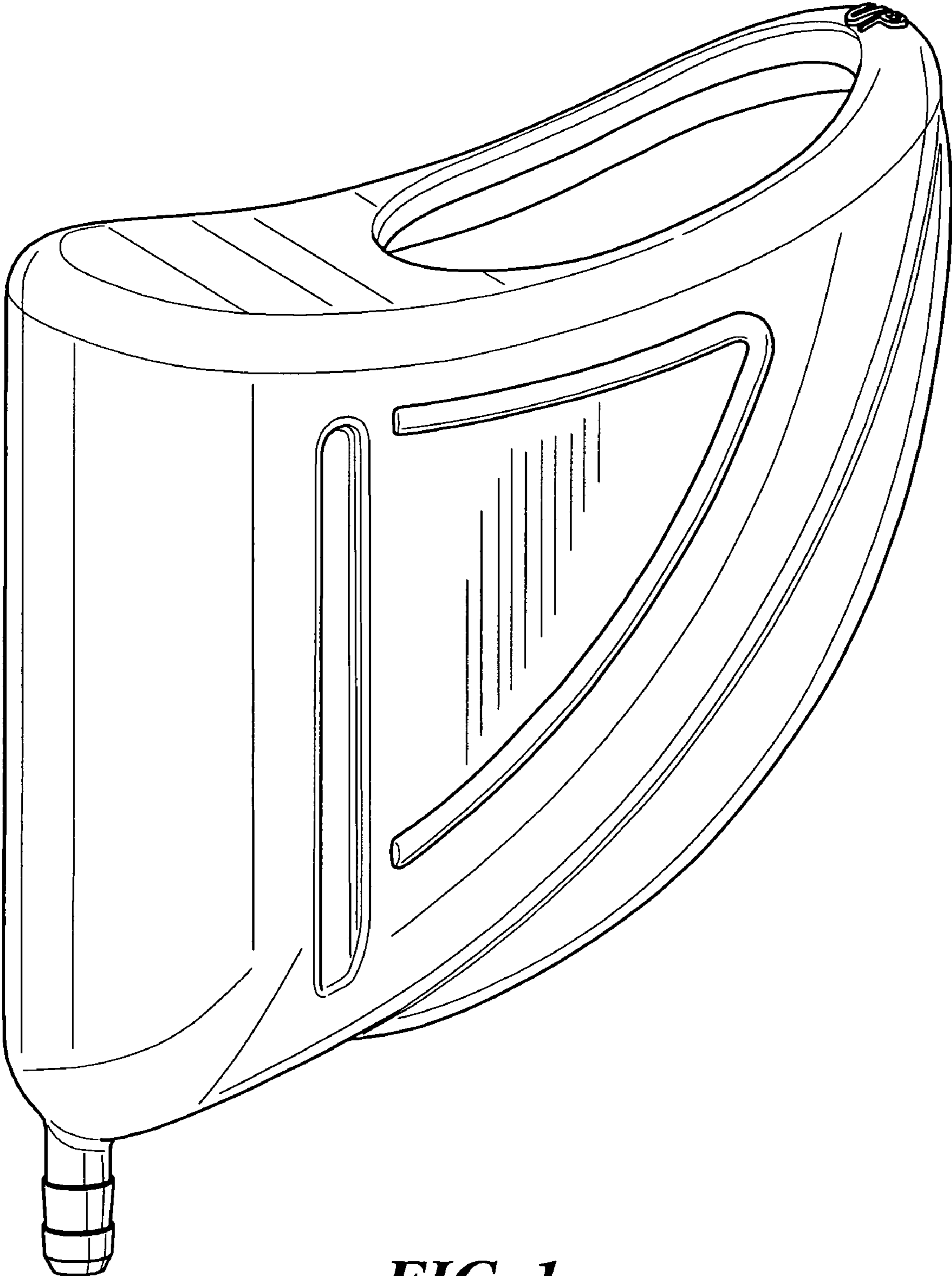
FIG. 12 is a bottom view thereof;

FIG. 13 is a rear view thereof; and,

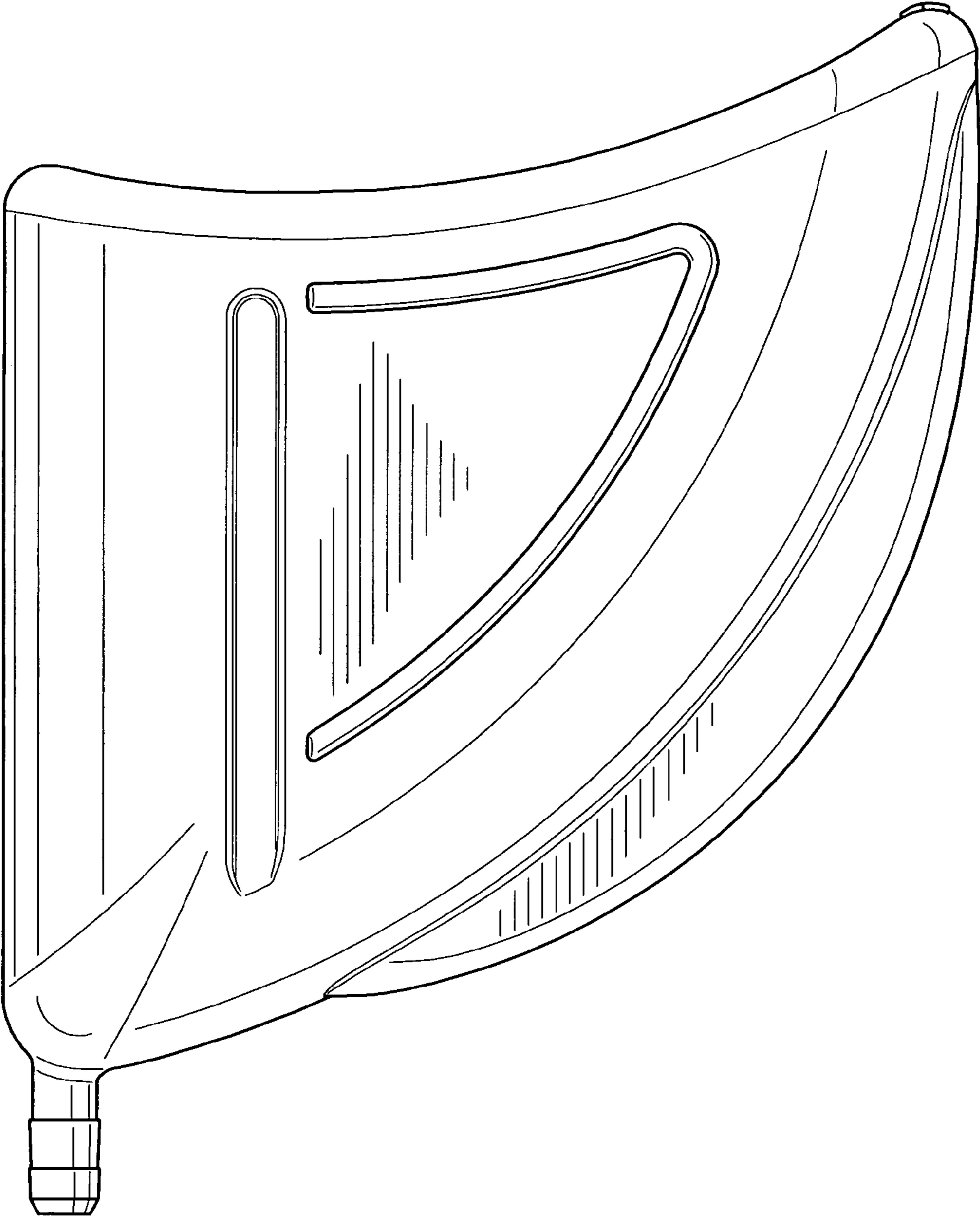
FIG. 14 is a front view thereof.

**1 Claim, 12 Drawing Sheets**

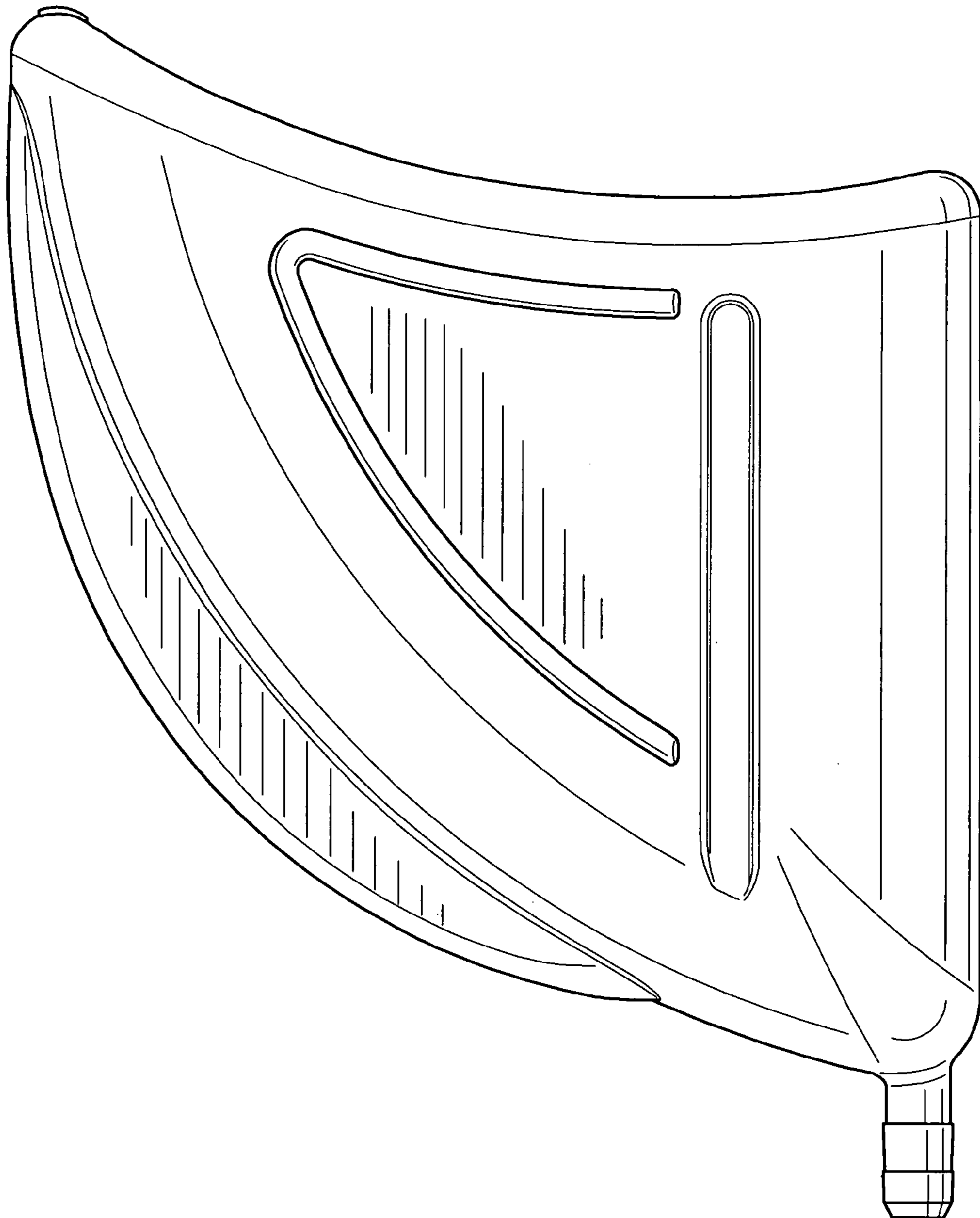




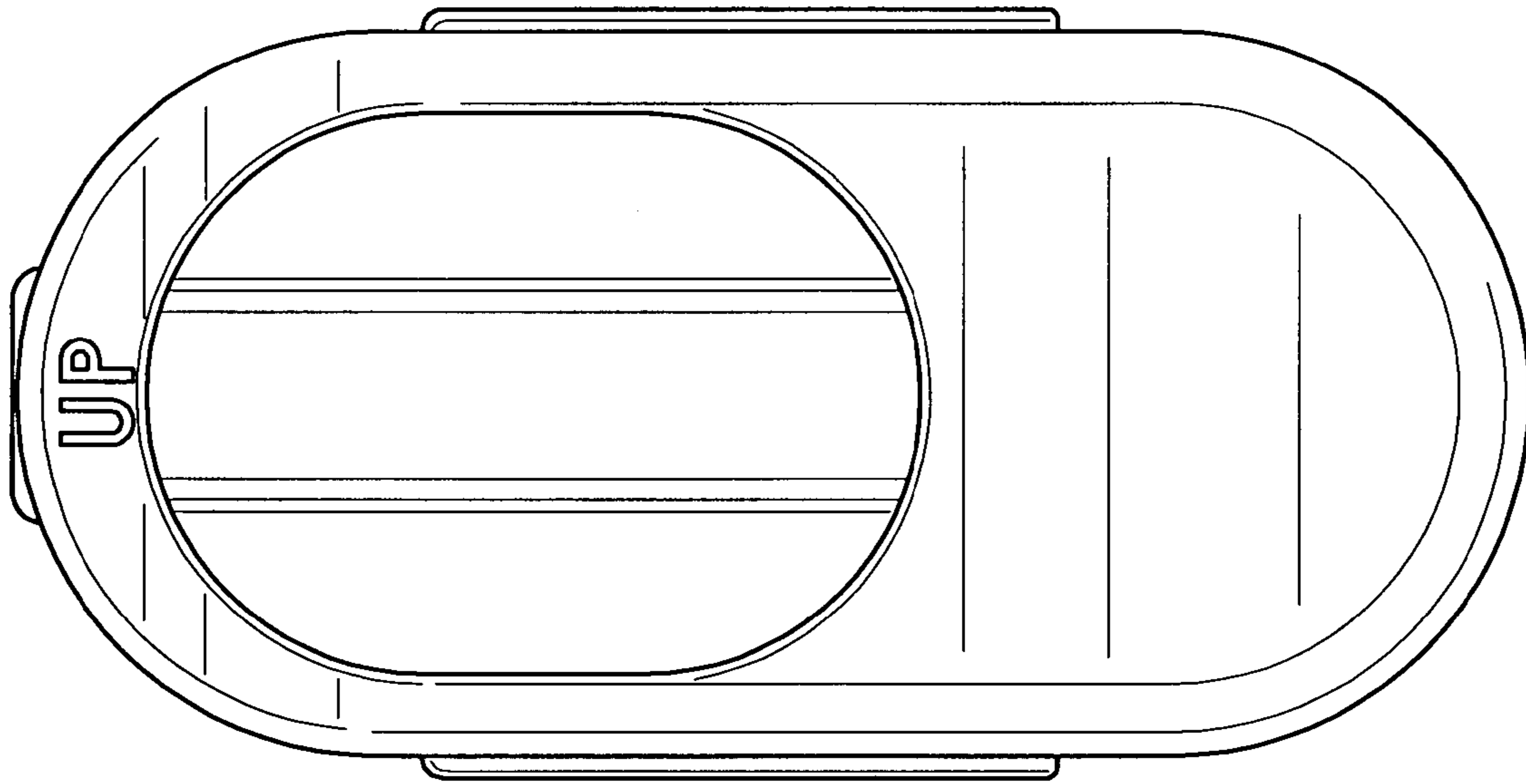
**FIG. 1**



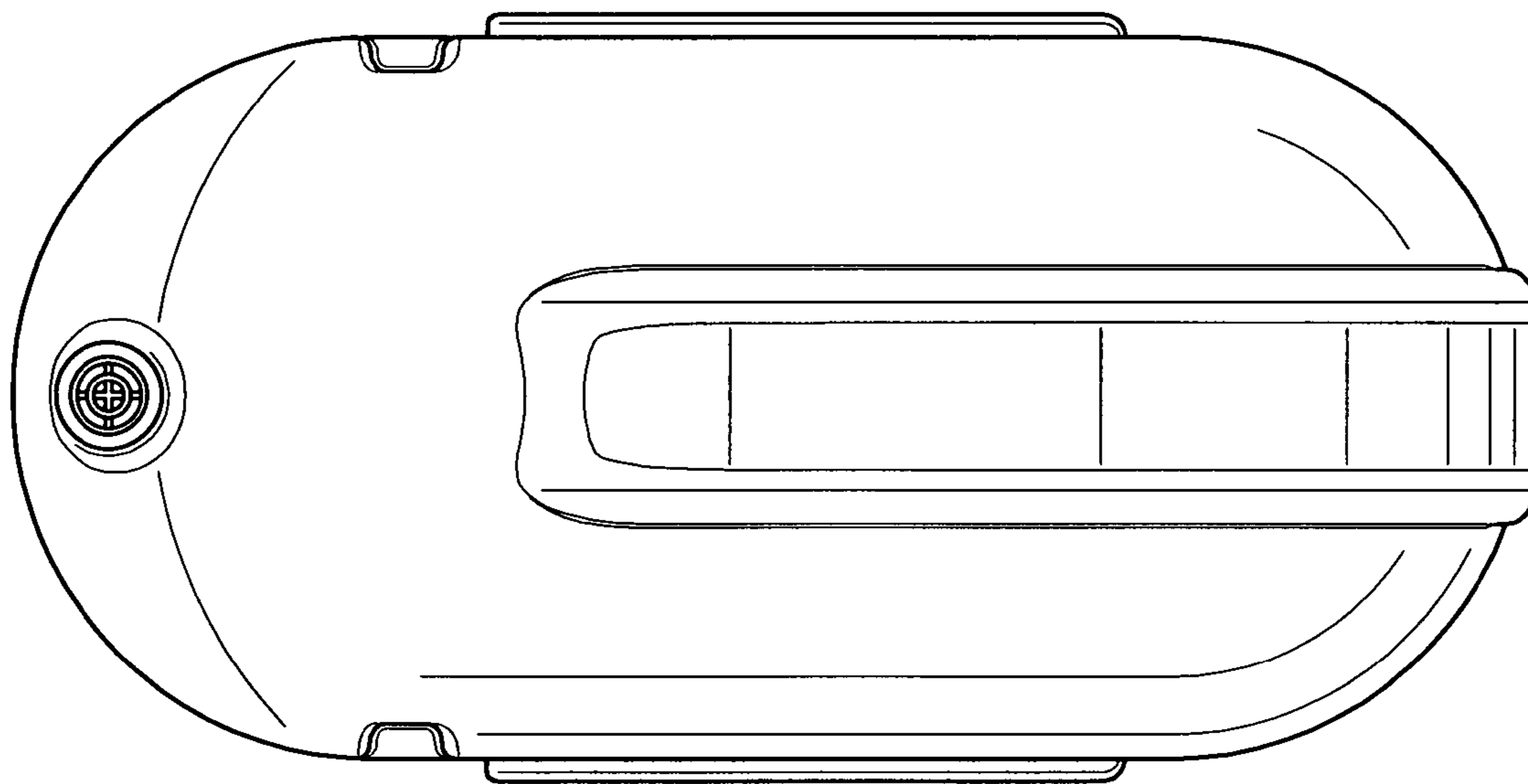
**FIG. 2**



***FIG. 3***

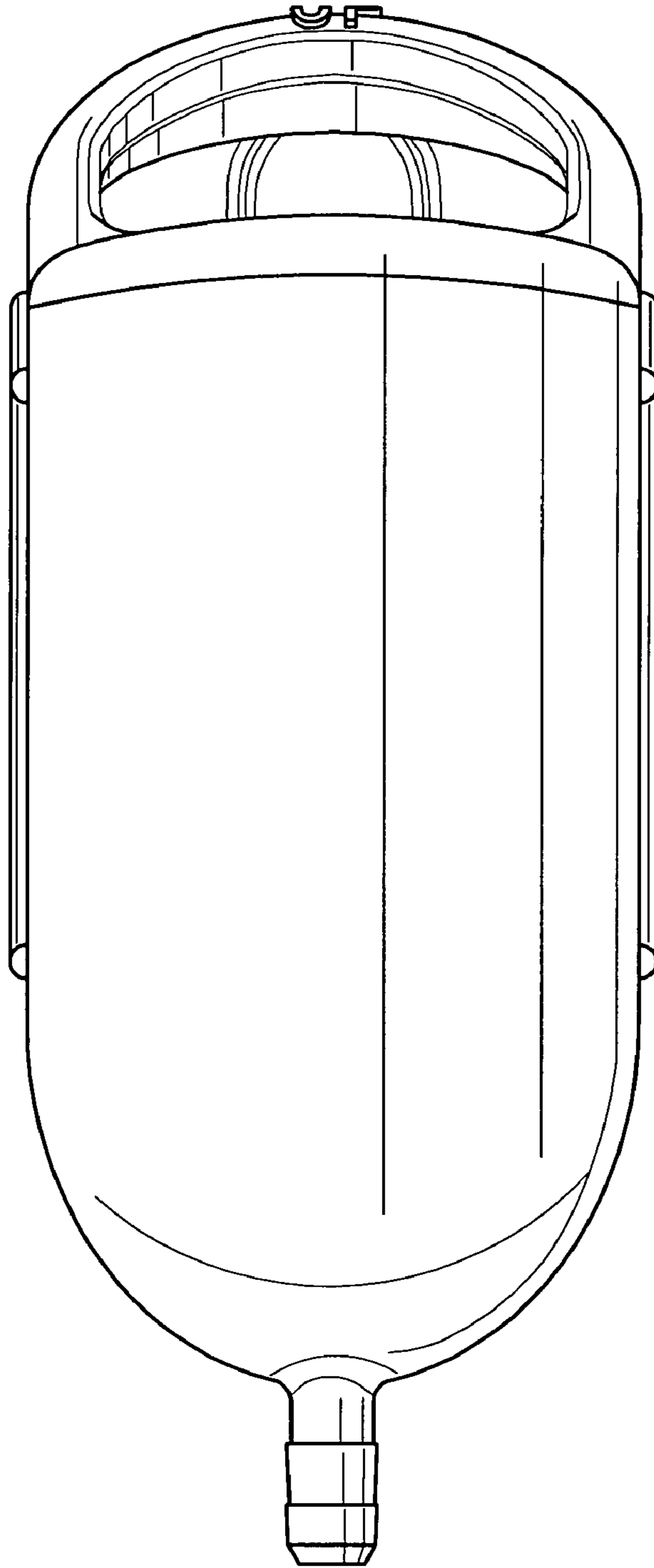


**FIG. 4**

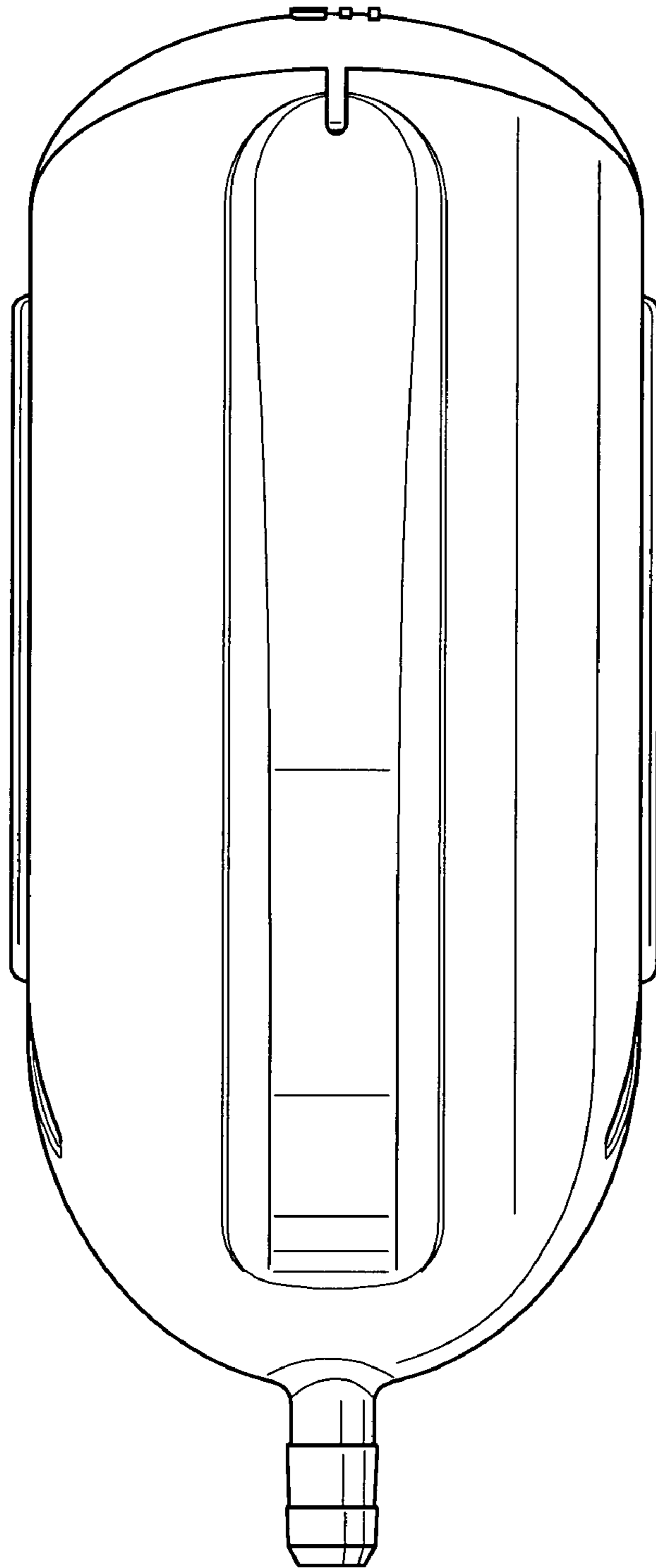


**FIG. 5**

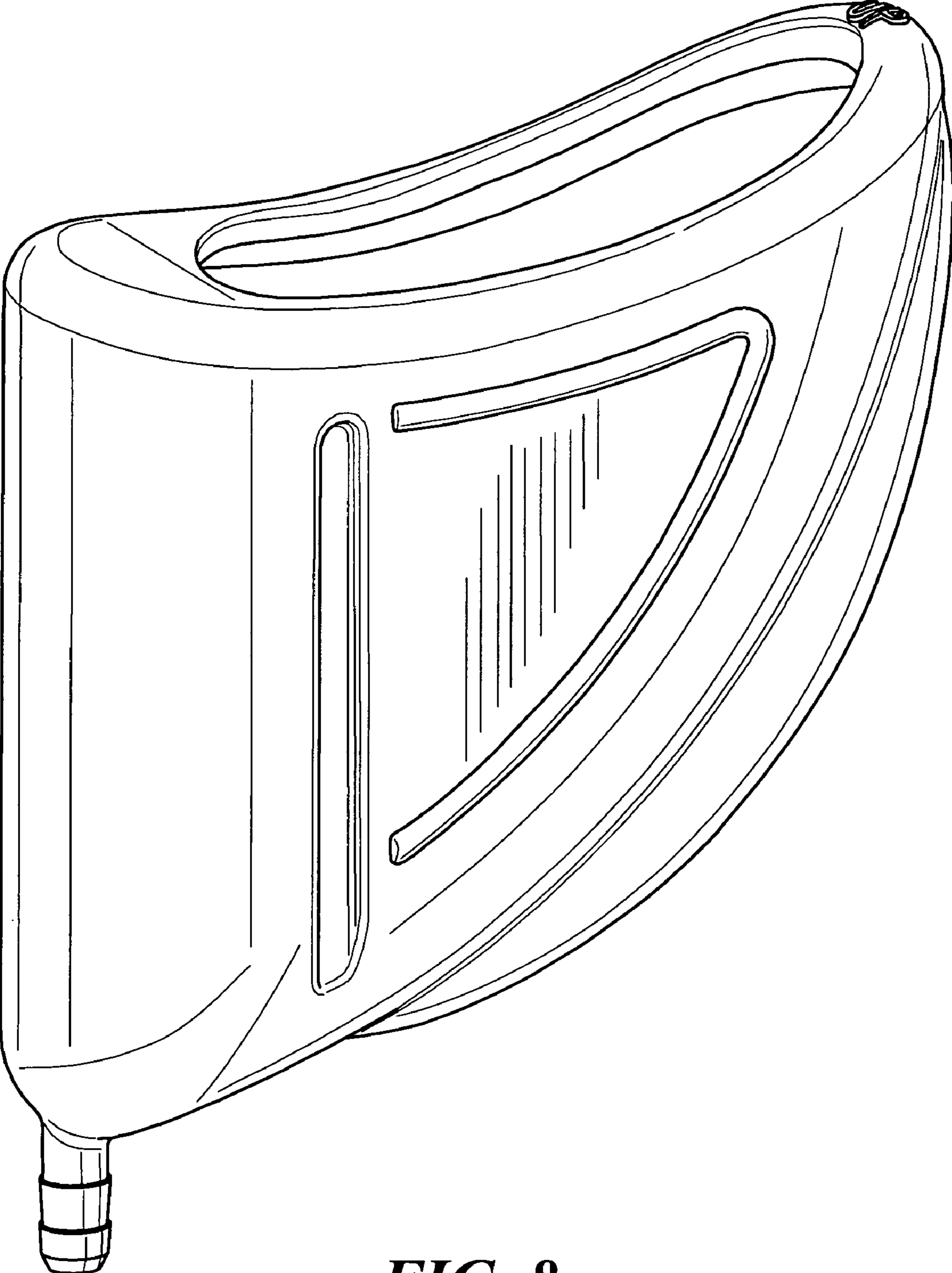




***FIG. 6***

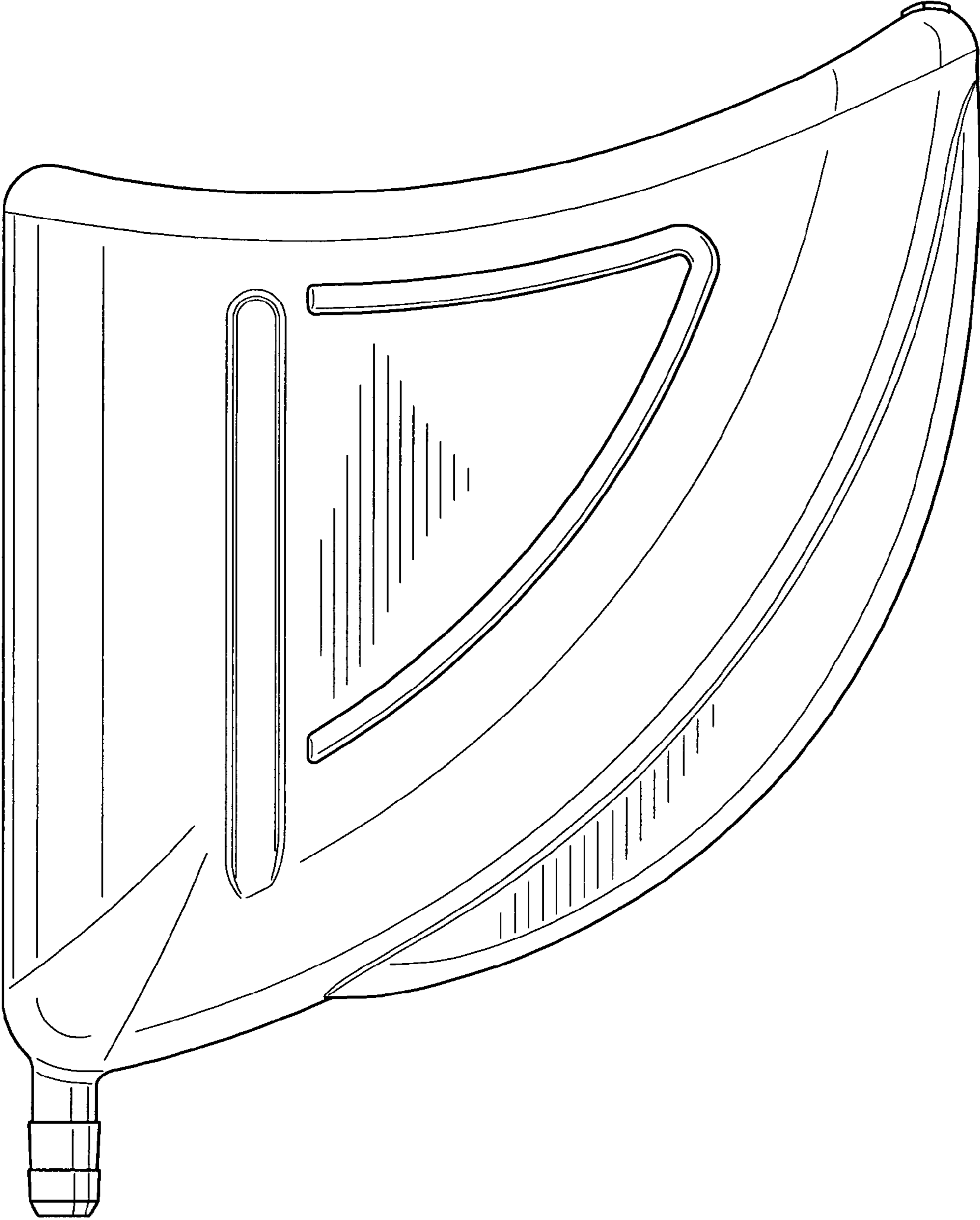


**FIG. 7**

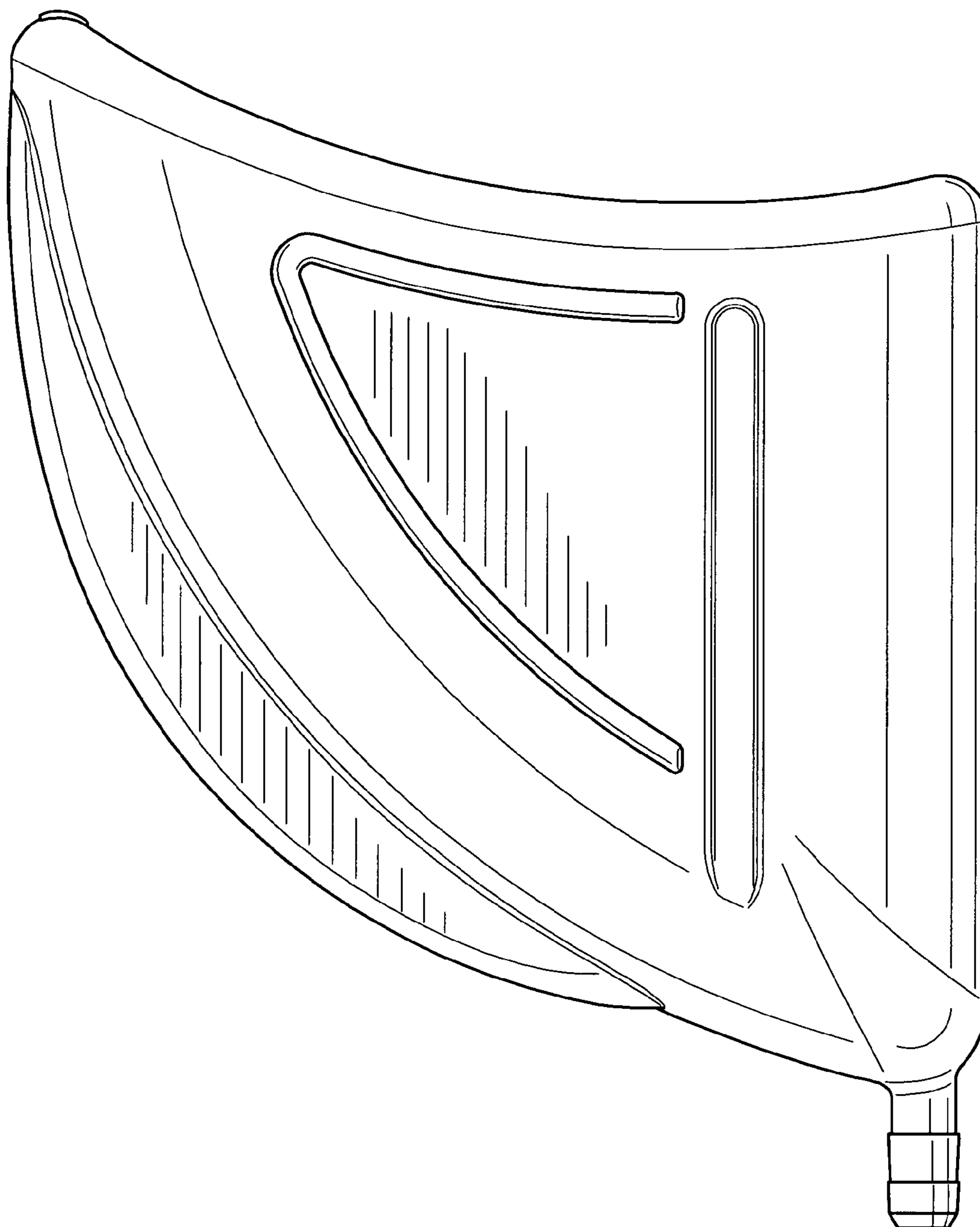


**FIG. 8**

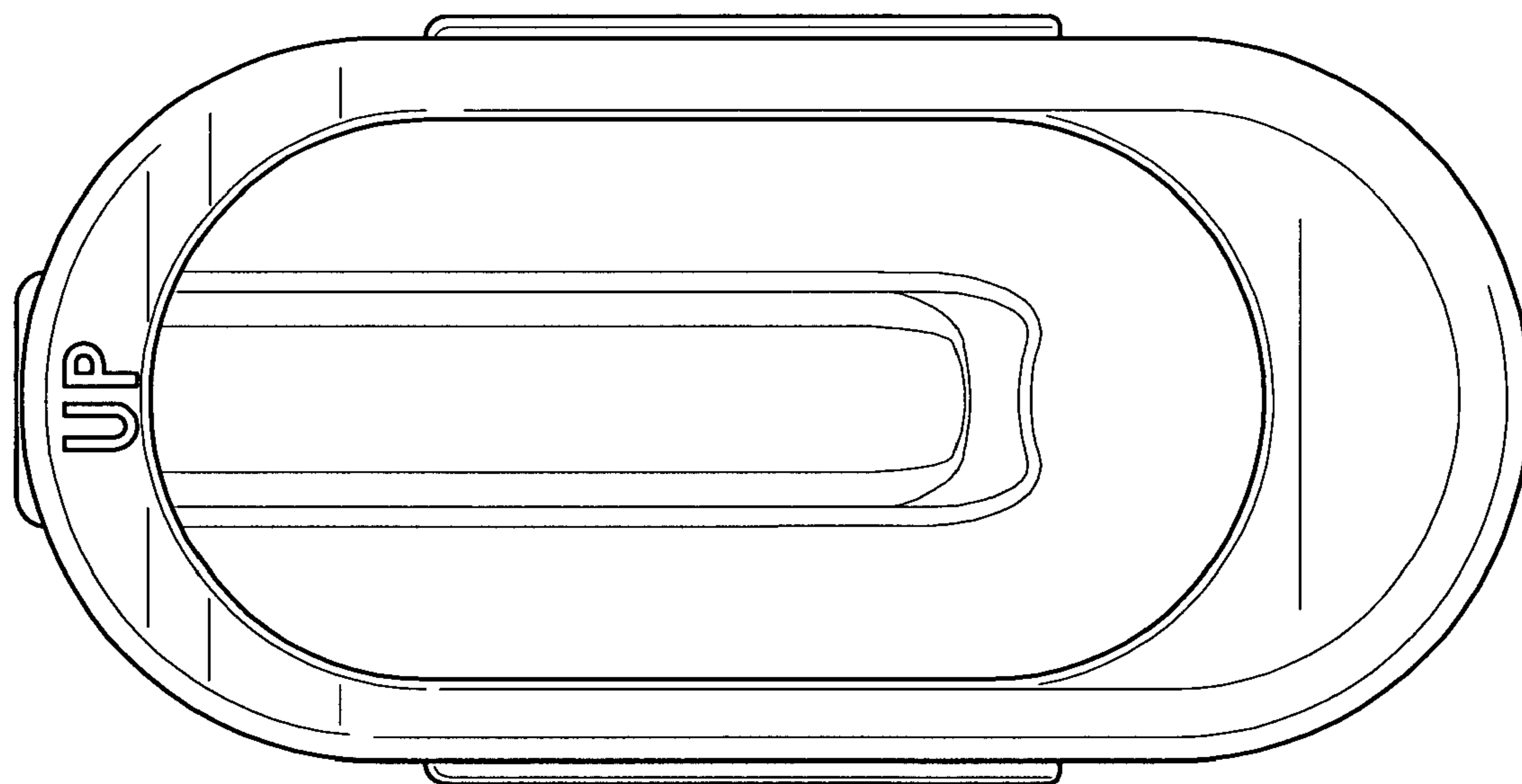




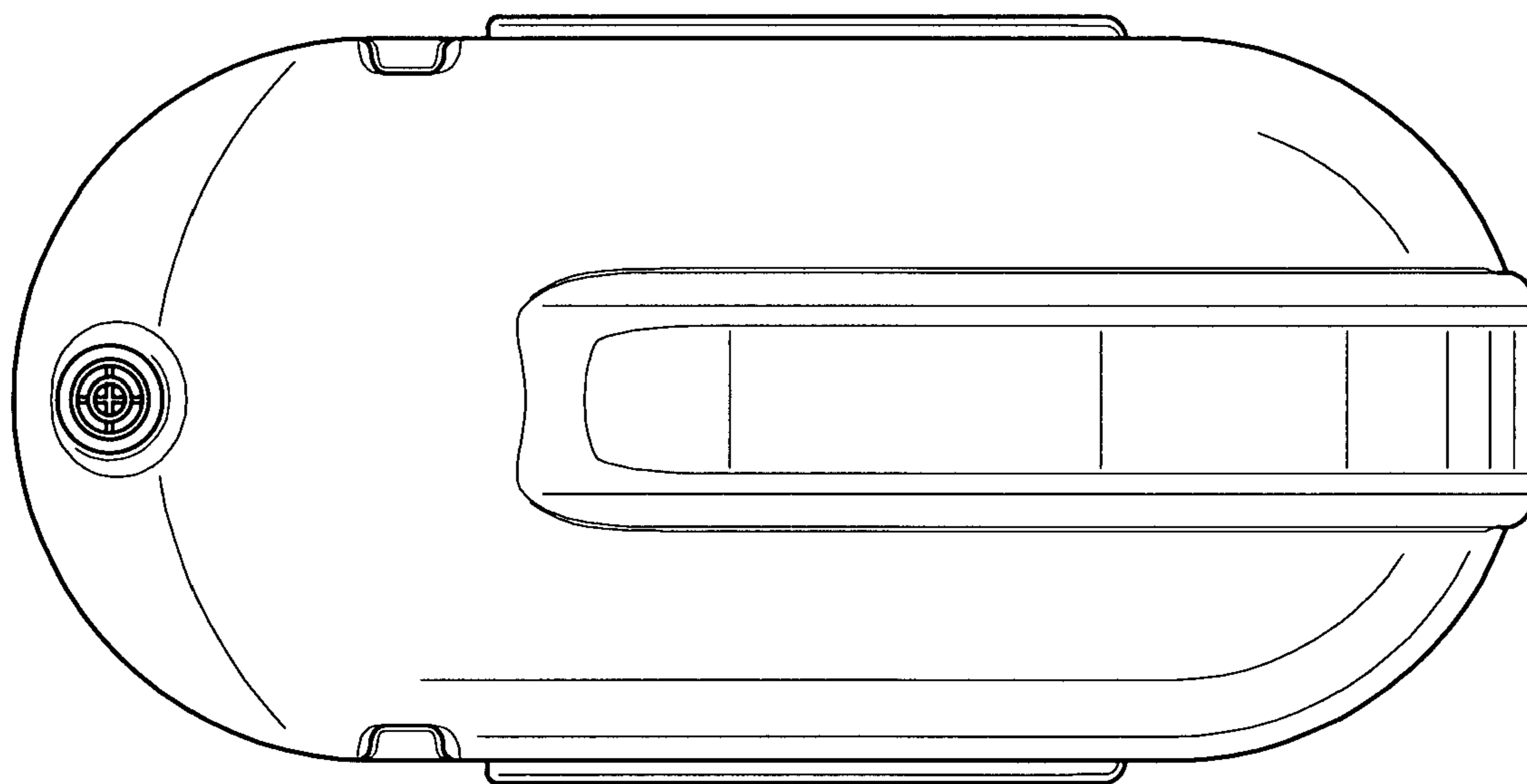
**FIG. 9**



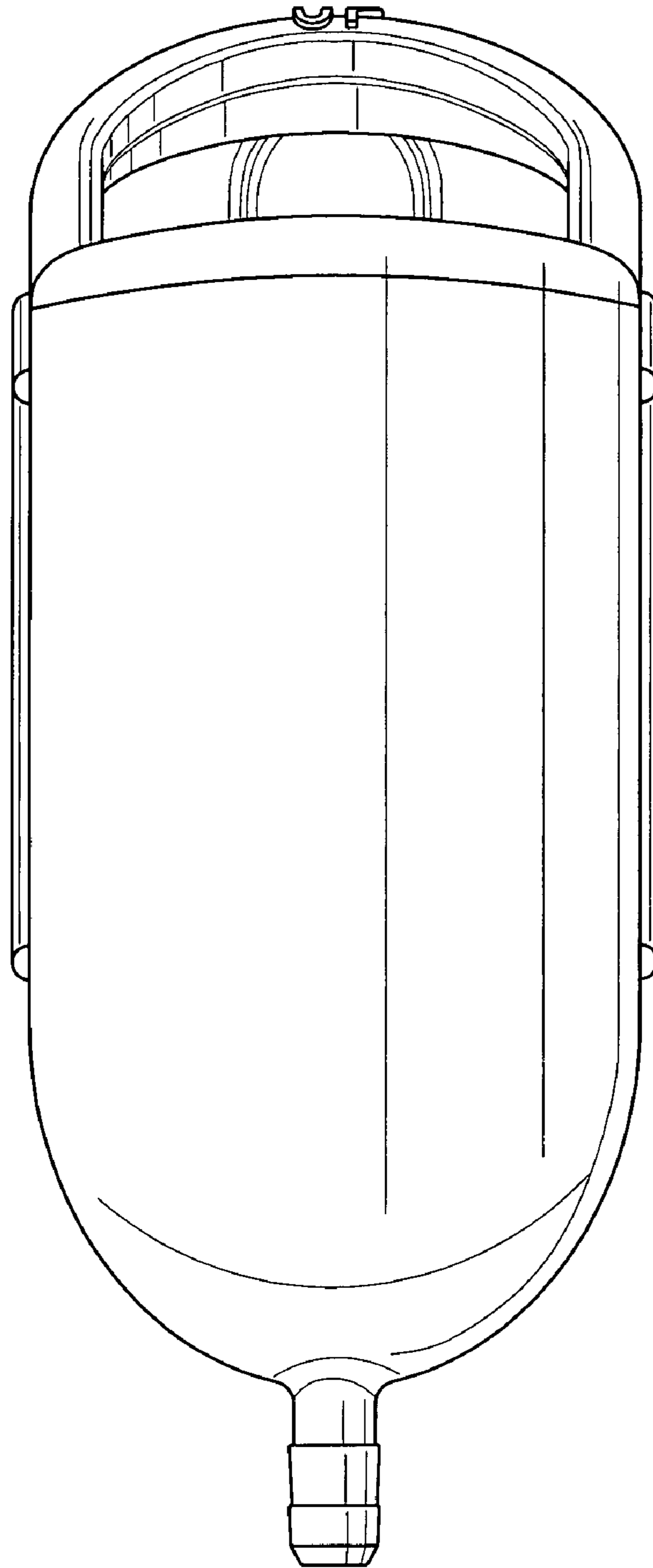
**FIG. 10**



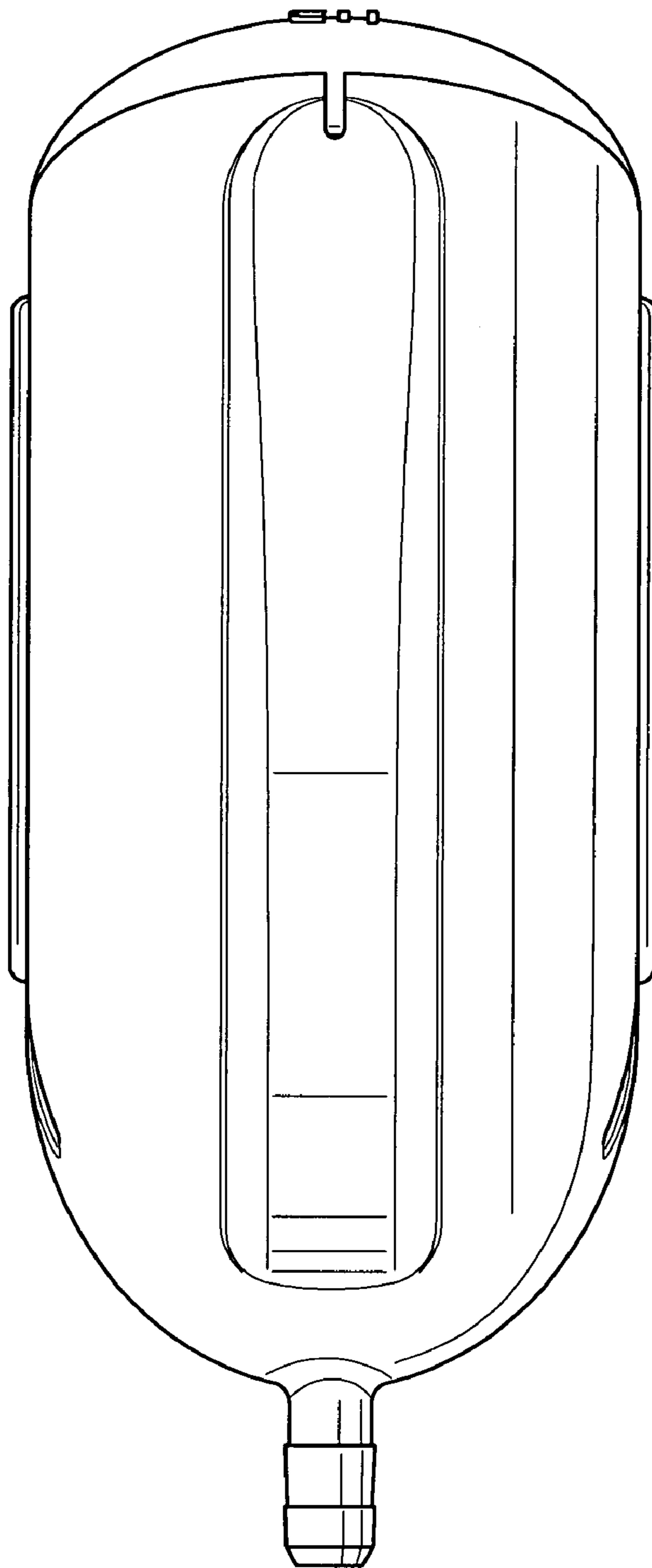
**FIG. 11**



**FIG. 12**



***FIG. 13***



**FIG. 14**