

US00D560799S

(12) **United States Design Patent** (10) **Patent No.:** **US D560,799 S**
Inoue et al. (45) **Date of Patent:** **** Jan. 29, 2008**

(54) **PORTION OF AN INFUSION SOLUTION BAG**

5,941,866 A * 8/1999 Niedospial, Jr. 604/408
6,156,025 A * 12/2000 Niedospial et al. 604/408
6,287,289 B1 * 9/2001 Niedospial, Jr. 604/408
6,613,036 B1 * 9/2003 Farmer et al. 604/408

(75) Inventors: **Fujio Inoue**, Naruto (JP); **Isamu Tateishi**, Naruto (JP); **Tatsuro Tsuruoka**, Tokushima (JP); **Akihito Togawa**, Tokushima (JP)

* cited by examiner

Primary Examiner—Ian Simmons

Assistant Examiner—David G Muller

(73) Assignee: **Otsuka Pharmaceutical Factory, Inc.**, Tokushima (JP)

(74) *Attorney, Agent, or Firm*—Osha Liang LLP

(**) Term: **14 Years**

(57) **CLAIM**

(21) Appl. No.: **29/266,947**

The ornamental design for a portion of an infusion solution bag, as shown and described.

(22) Filed: **Sep. 29, 2006**

DESCRIPTION

(30) **Foreign Application Priority Data**

Mar. 31, 2006 (JP) 2006-008483

FIG. 1 is a perspective view of the design according to the invention;

(51) **LOC (8) Cl.** **24-02**

FIG. 2 is a left side view thereof;

(52) **U.S. Cl.** **D24/118**

FIG. 3 is a top view thereof;

(58) **Field of Classification Search** D24/118, D24/127, 108, 128, 111; 604/317, 327, 408, 604/403, 108, 339, 92, 415, 410; 128/DIG. 24; 383/22, 23; D18/56; D9/709, 696; 206/219; 424/663

FIG. 4 is a bottom view thereof;

FIG. 5 is a front view thereof;

FIG. 6 is a right side view thereof;

FIG. 7 is a rear view thereof;

See application file for complete search history.

FIG. 8 is a cross section view, shown at a larger scale, taken along line 8—8 as shown in FIG. 5.

(56) **References Cited**

U.S. PATENT DOCUMENTS

- 4,735,613 A * 4/1988 Bellin et al. D24/111
- 4,834,743 A * 5/1989 Valerio 604/403
- D321,758 S * 11/1991 Colella D24/127
- 5,087,251 A * 2/1992 Heyman et al. 604/327
- D324,566 S * 3/1992 Schmidt et al. D24/118
- D395,136 S * 6/1998 Ropiak et al. D24/118
- D400,245 S * 10/1998 Niedospial et al. D24/118
- D400,253 S * 10/1998 Niedospial et al. D24/118
- D407,816 S * 4/1999 Barney et al. D24/118

FIG. 9 is a cross section view, shown at a larger scale, taken along line 9—9 as shown in FIG. 5.

FIG. 10 is a cross section view, shown at a larger scale, taken along line 10—10 as shown in FIG. 5; and,

FIG. 11 is a cross section view, shown at a larger scale, taken along line 11—11 as shown in FIG. 5.

The broken lines are for illustrative purposes only and form no part of the claimed design.

1 Claim, 4 Drawing Sheets

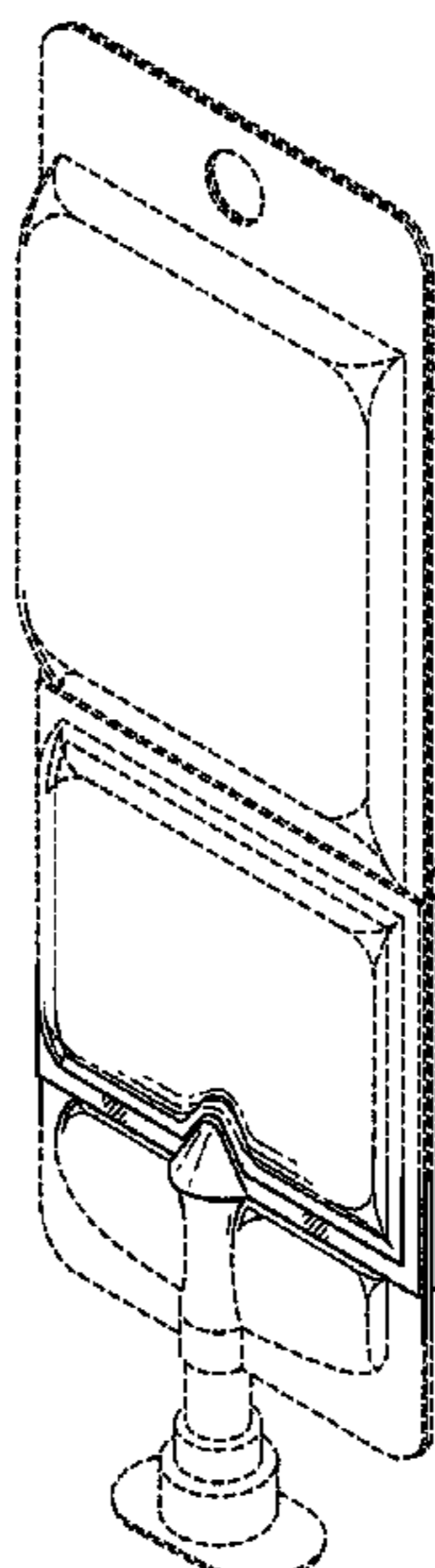


FIG. 1

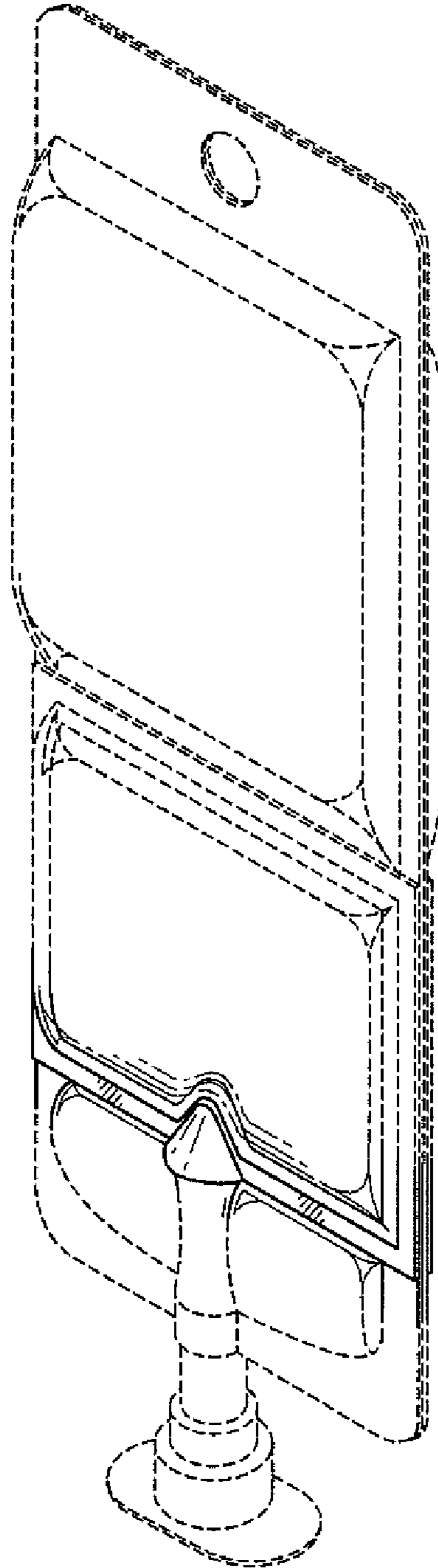


FIG. 2

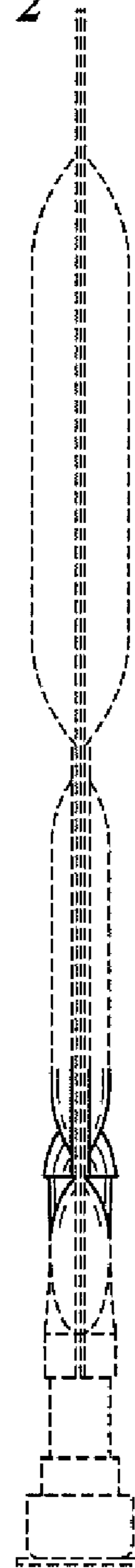


FIG. 3

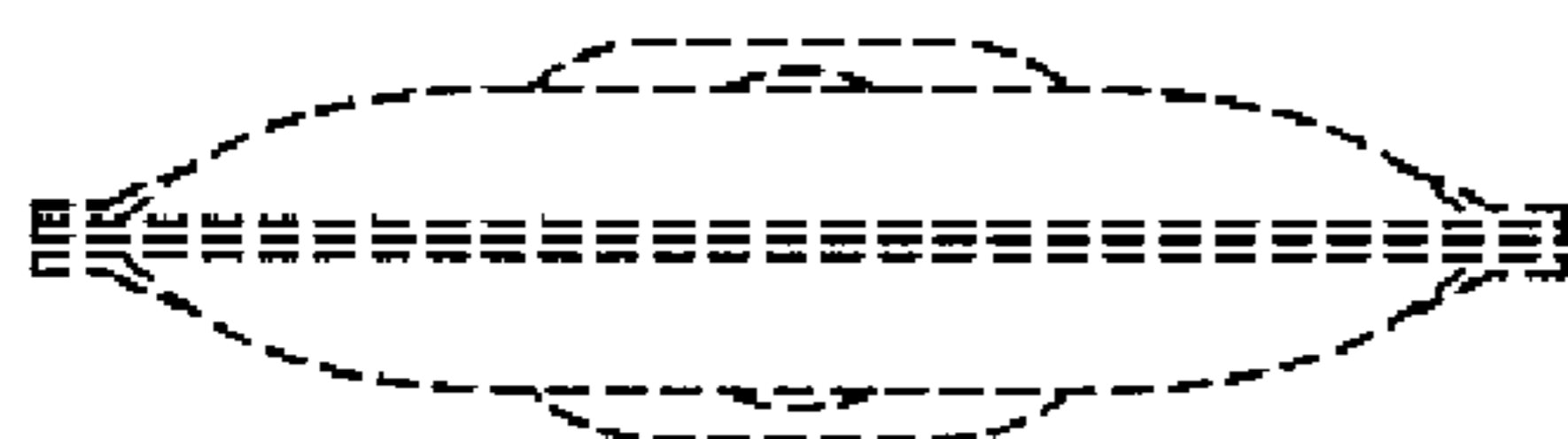


FIG. 4



FIG. 5

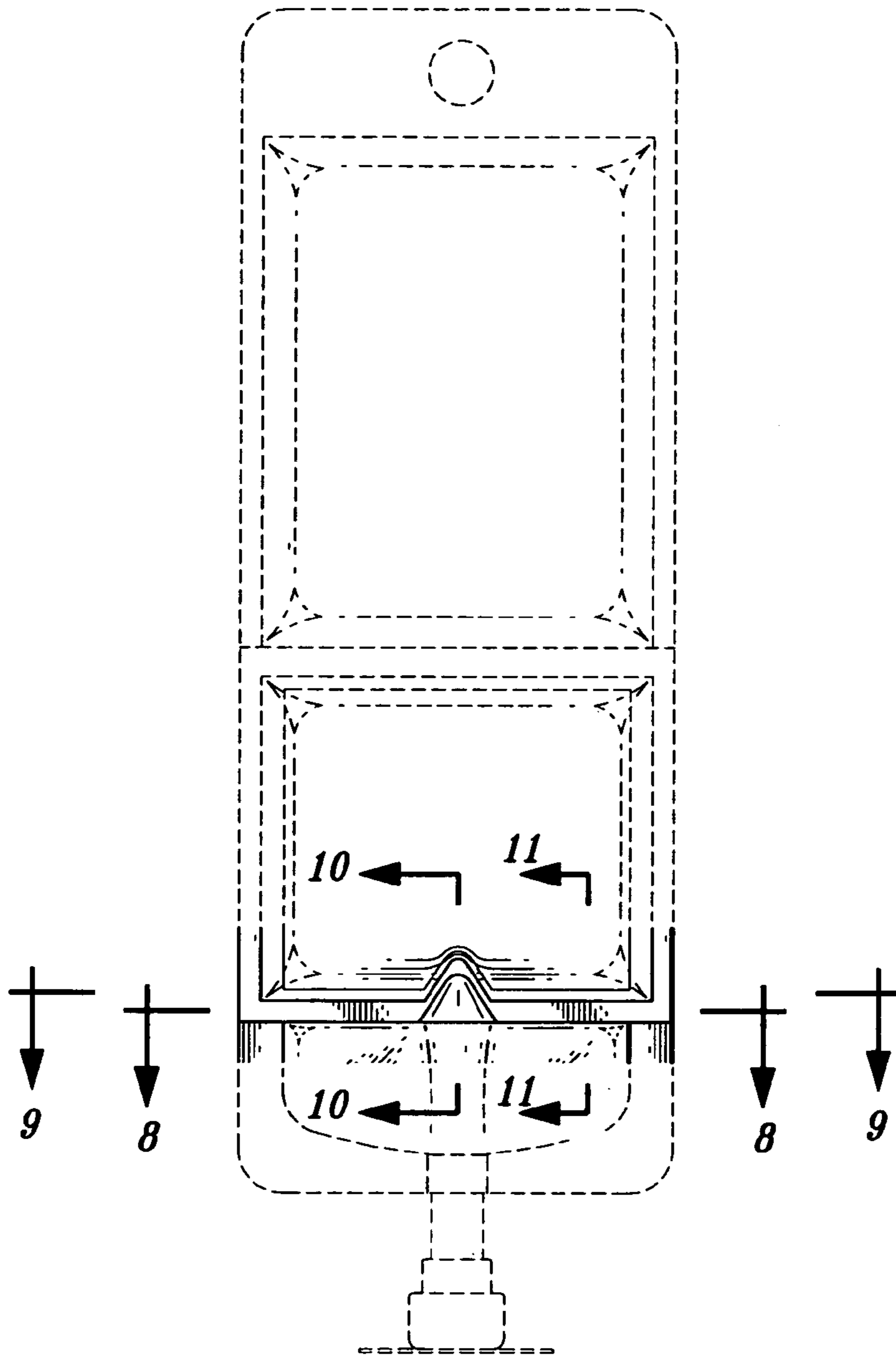


FIG. 6

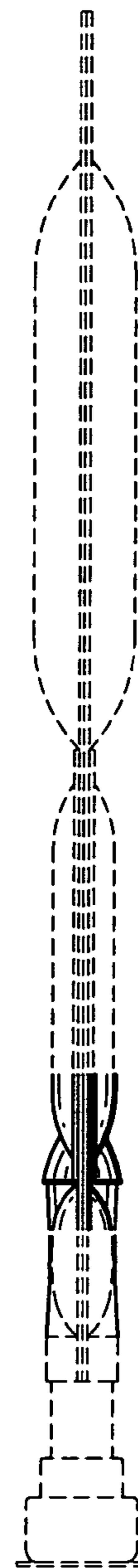


FIG. 7

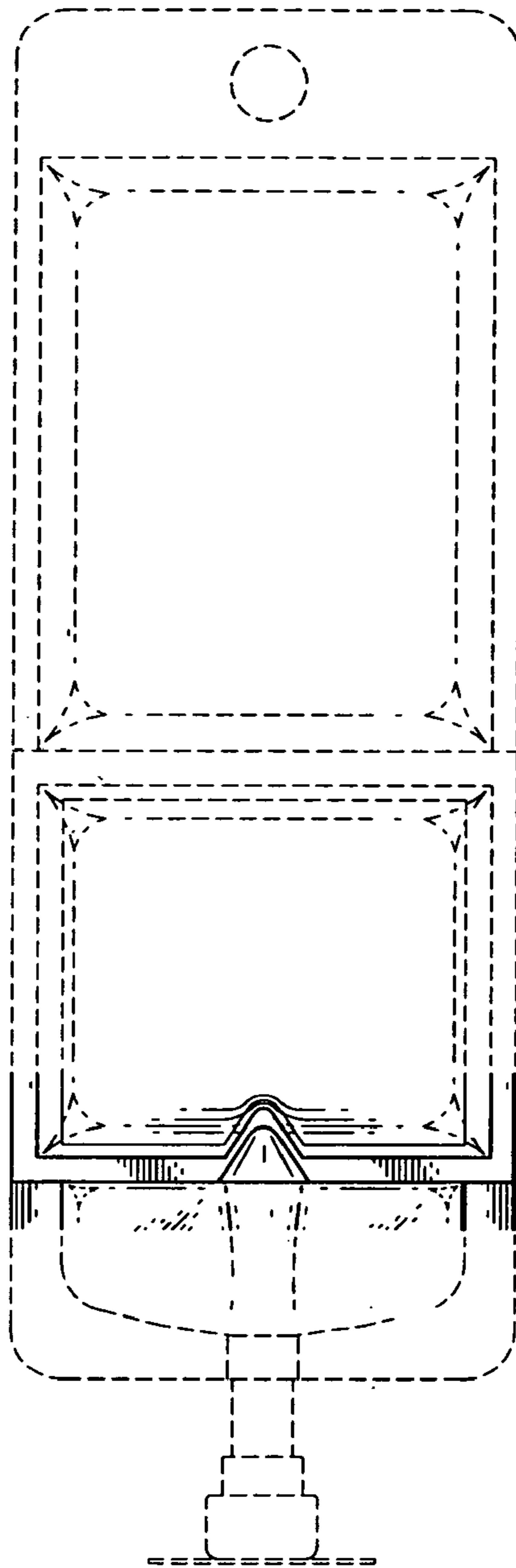


FIG. 8

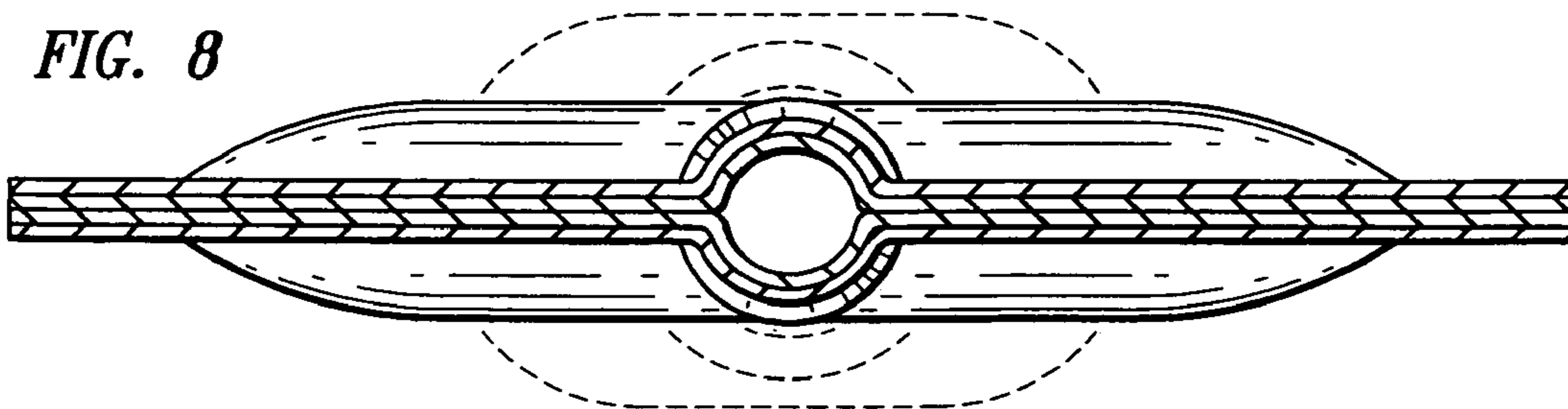


FIG. 9

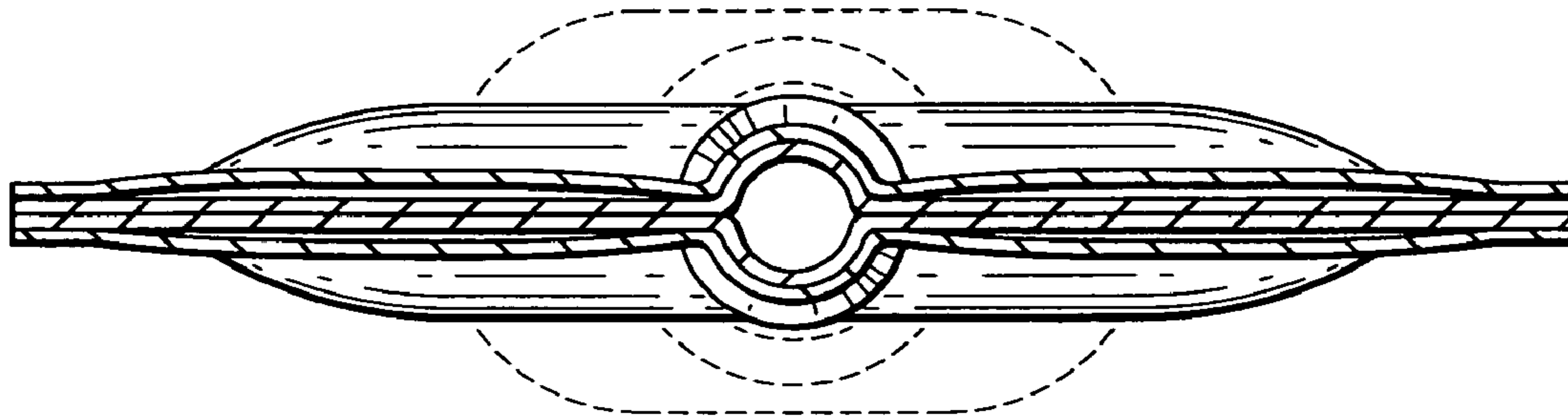


FIG. 10

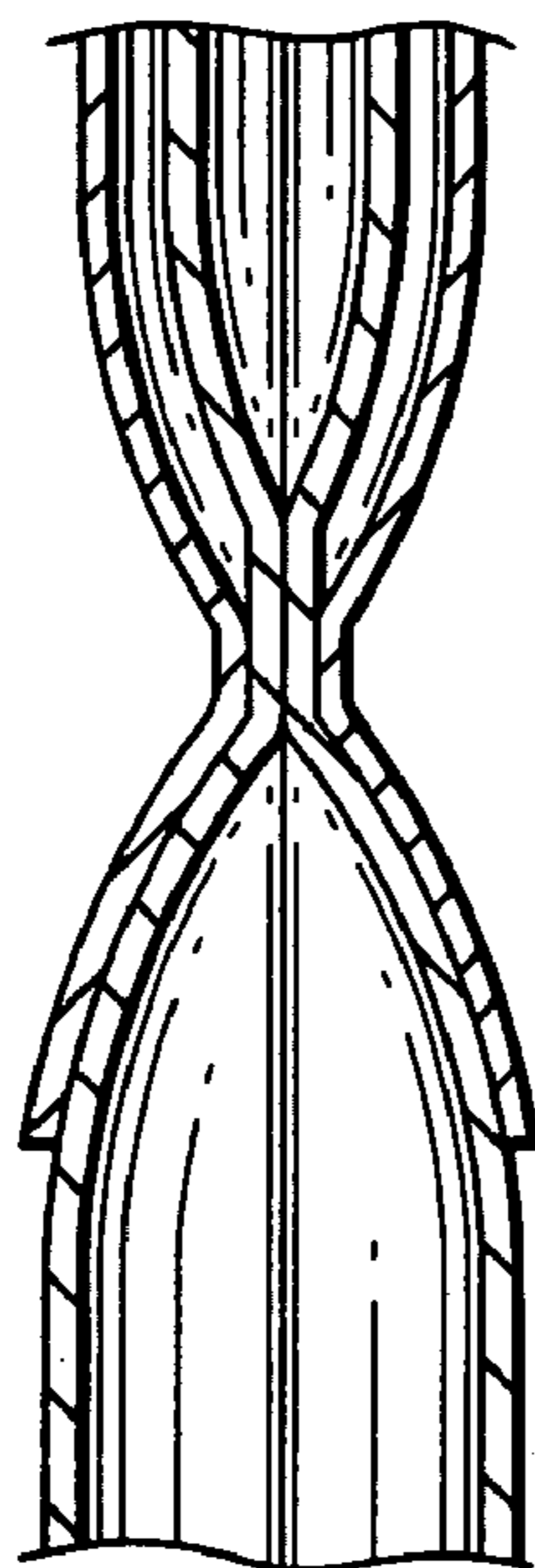


FIG. 11

