



US00D560798S

(12) **United States Design Patent**  
**Hosoda et al.**

(10) **Patent No.:** **US D560,798 S**  
(45) **Date of Patent:** **\*\* Jan. 29, 2008**

(54) **BLOOD COLLECTING DEVICE**

(75) Inventors: **Mitsuji Hosoda**, Uenohara (JP); **Koki Okanda**, Uenohara (JP); **Yoshimichi Osada**, Uenohara (JP); **Akihiro Enomoto**, Minamituru (JP)

(73) Assignee: **Enomoto Co., Ltd.**, Yamanashi (JP)

(\*\*) Term: **14 Years**

(21) Appl. No.: **29/226,346**

(22) Filed: **Mar. 29, 2005**

(51) **LOC (8) Cl.** ..... **24-02**

(52) **U.S. Cl.** ..... **D24/113**

(58) **Field of Classification Search** ..... D24/113,  
D24/112, 133, 114, 186, 104, 130, 108, 169;  
606/181, 185; 600/583, 576, 573; 604/403,  
604/6.15, 6.05, 6.12; 215/247

See application file for complete search history.

(56) **References Cited**

**U.S. PATENT DOCUMENTS**

3,656,472	A *	4/1972	Ben Moura	.....	600/576
4,320,769	A *	3/1982	Eichhorn et al.	.....	600/576
4,788,986	A *	12/1988	Harris	.....	600/576
4,840,185	A *	6/1989	Hernandez	.....	600/576
5,900,291	A *	5/1999	Pebbles	.....	600/576
D418,917	S *	1/2000	Duchon et al.	.....	D24/114
6,017,317	A *	1/2000	Newby et al.	.....	600/573
D463,025	S *	9/2002	Swenson	.....	D24/130

D471,272	S *	3/2003	Douglas et al.	.....	D24/108
6,730,046	B1 *	5/2004	Hamamoto et al.	.....	600/583
2006/0074349	A1 *	4/2006	Fan	.....	600/576
2006/0074394	A1 *	4/2006	Beretta et al.	.....	604/6.15
2006/0247554	A1 *	11/2006	Roe	.....	600/583

\* cited by examiner

*Primary Examiner*—Ian Simmons

*Assistant Examiner*—David G. Muller

(74) *Attorney, Agent, or Firm*—Wenderoth, Lind & Ponack, L.L.P.

(57) **CLAIM**

The ornamental design for a blood collecting device, as shown and described.

**DESCRIPTION**

FIG. 1 is a top view of a blood collecting device according to the present design;

FIG. 2 is a bottom view thereof;

FIG. 3 is a front view thereof;

FIG. 4 is a right side view thereof;

FIG. 5 is a left side view thereof;

FIG. 6 is a rear view thereof; and,

FIG. 7 is a partial enlargement of the top section of FIG. 5.

As can be seen from FIG. 7, the present design includes transparent portions.

**1 Claim, 6 Drawing Sheets**

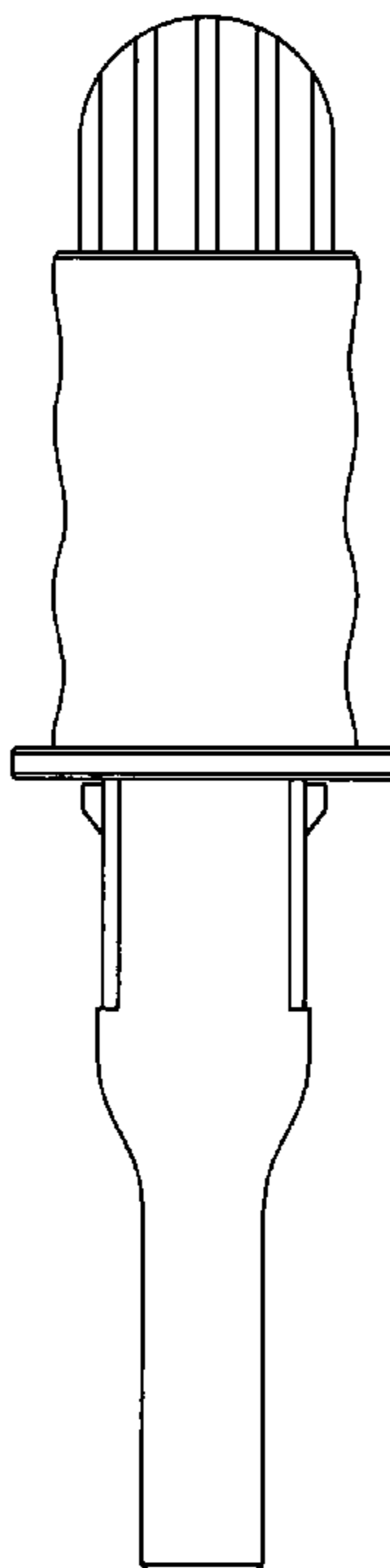


FIG. 1

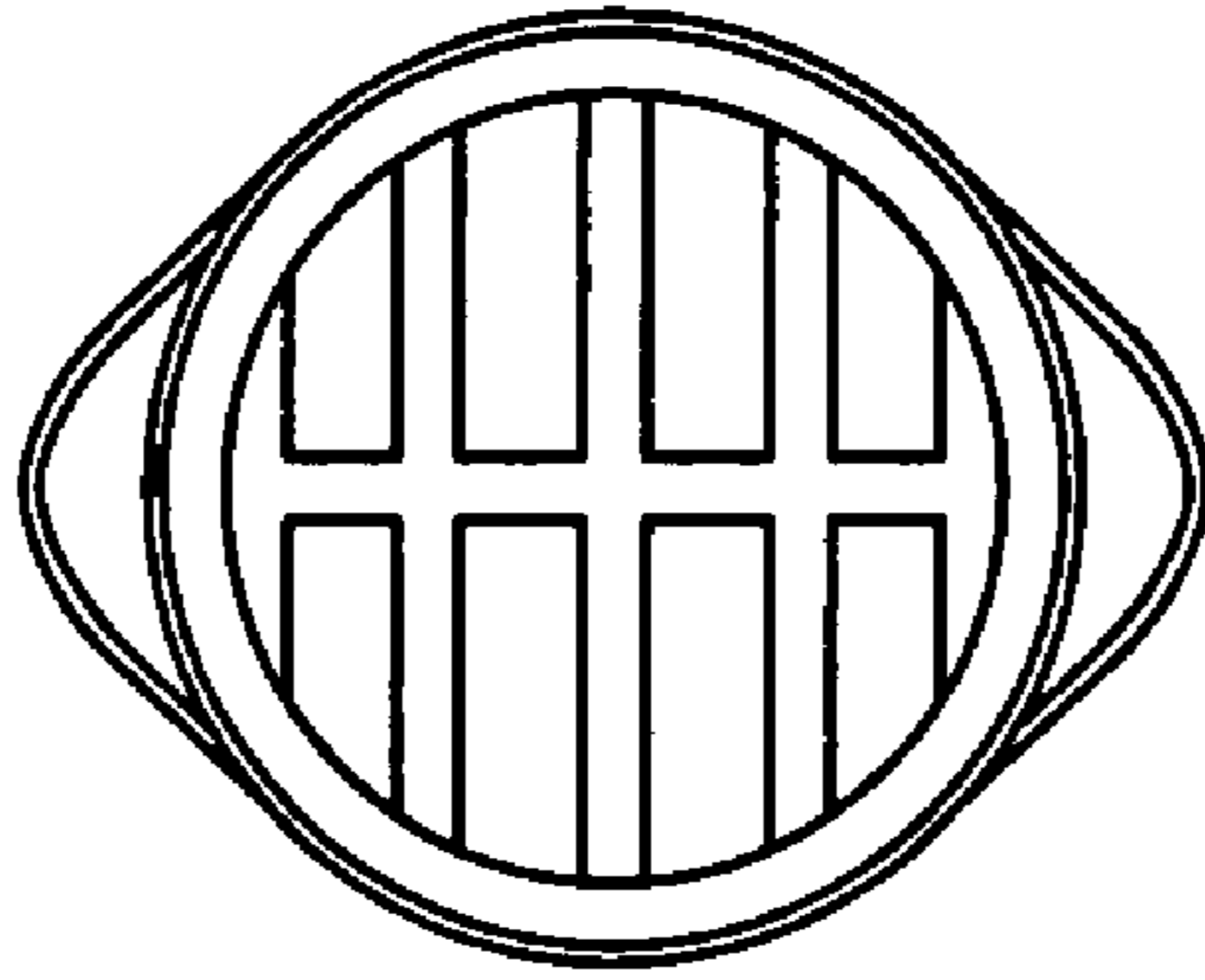


FIG. 2

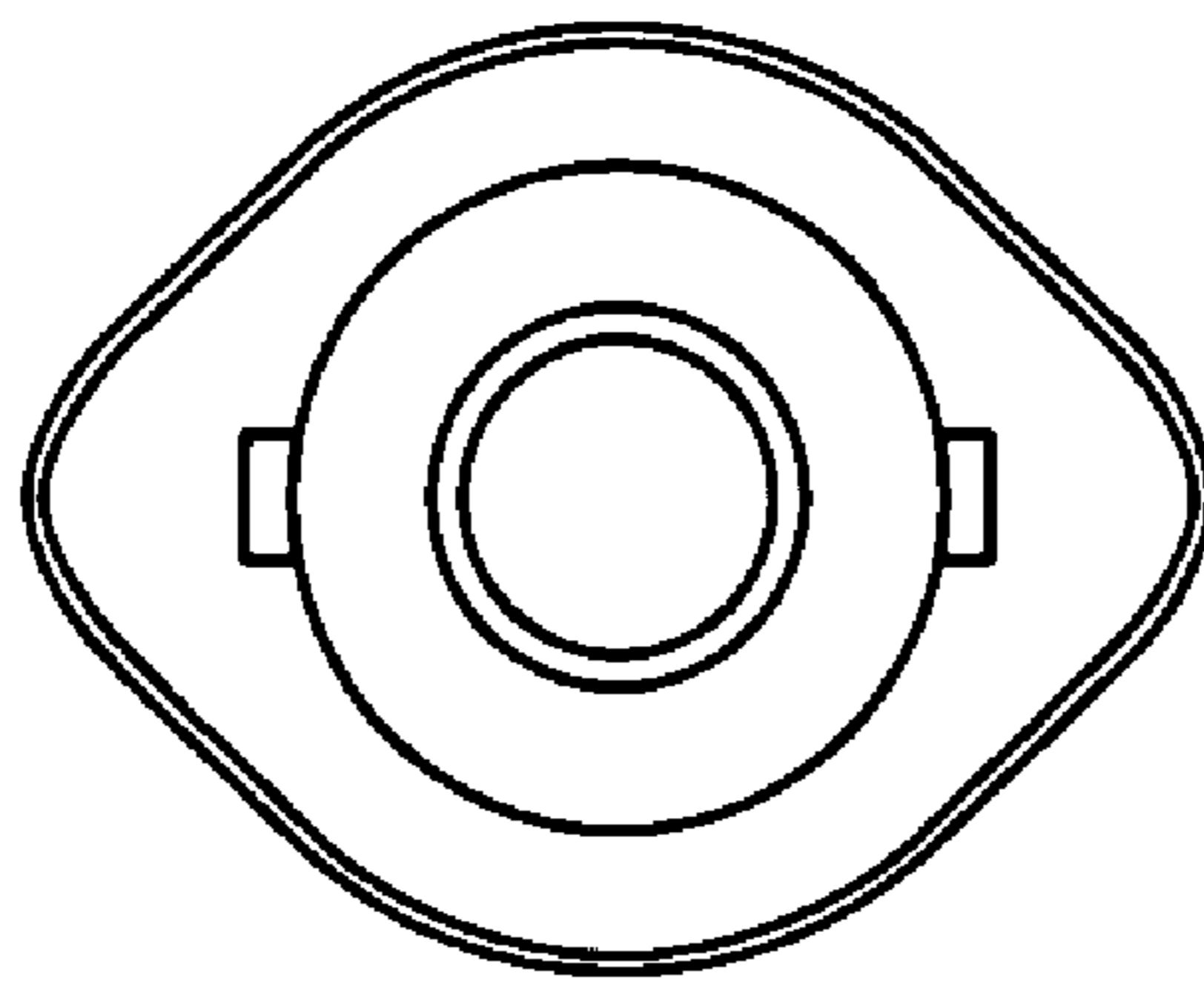


FIG. 3

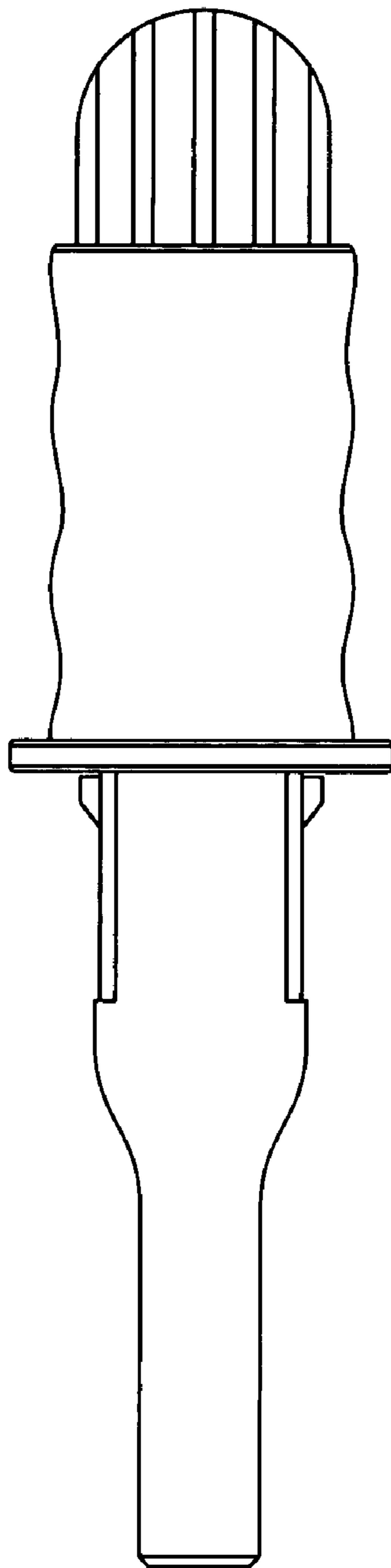


FIG. 4

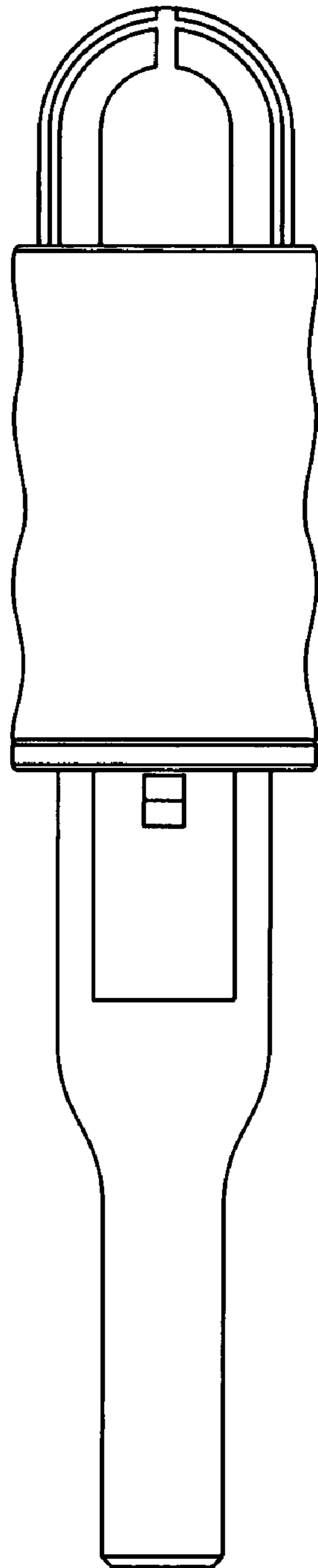


FIG. 5

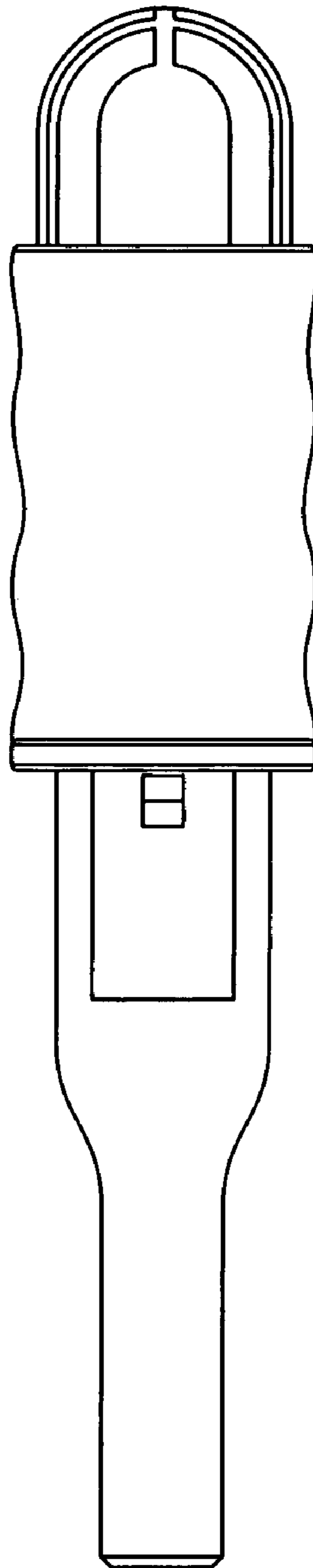


FIG. 6

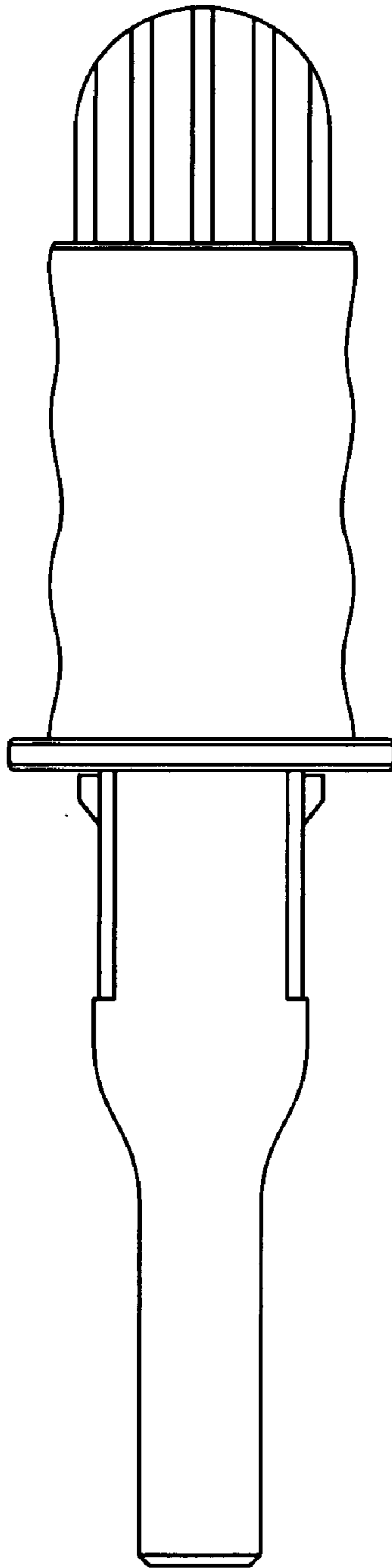


FIG. 7

