



US00D560796S

(12) **United States Design Patent**
Jones et al.

(10) **Patent No.: US D560,796 S**
(45) **Date of Patent: ** Jan. 29, 2008**

(54) **MASK**
(75) Inventors: **Michael Andrew Jones**, Dundas (AU);
Amal Shirley Amarasinghe, Beecroft
(AU); **Timothy Tsun-Fai Fu**,
Carlingford (AU); **Perry David**
Lithgow, Glenwood (AU); **Jim Saada**,
Kellyville (AU); **Fiachra Marcus**
Sweeney, North Bondi (AU)

D448,473 S 9/2001 Barnett et al.
D468,823 S 1/2003 Smart
D485,905 S 1/2004 Moore et al.
D486,226 S 2/2004 Guney et al.
D492,992 S 7/2004 Guney et al.
D493,885 S 8/2004 Raje
D506,827 S 6/2005 Jones et al.
2003/0089373 A1 5/2003 Gradon et al.
2005/0155603 A1 7/2005 Frerichs et al.

(73) Assignee: **ResMed Limited**, Bella Vista (AU)

(**) Term: **14 Years**

(21) Appl. No.: **29/242,403**

(22) Filed: **Nov. 10, 2005**

Related U.S. Application Data

(63) Continuation of application No. 29/202,128, filed on
Mar. 26, 2004, now Pat. No. Des. 519,206.

(51) **LOC (8) Cl.** **29-02**

(52) **U.S. Cl.** **D24/110.1; D24/110.4**

(58) **Field of Classification Search** D24/110.1,
D24/110.4, 110.5, 164; 128/207.13, 204.12,
128/206.18, 206.28, 206.24

See application file for complete search history.

(56) **References Cited**

U.S. PATENT DOCUMENTS

4,960,121 A 10/1990 Nelson et al.
D322,318 S 12/1991 Sullivan
D333,015 S 2/1993 Farmer et al.
D385,960 S 11/1997 Rudolph
5,746,201 A 5/1998 Kidd

FOREIGN PATENT DOCUMENTS

EP 1 057 494 12/2000

OTHER PUBLICATIONS

U.S. Appl. No. 29/202,128, filed Mar. 2004, Jones et al.

Primary Examiner—Ian Simmons

Assistant Examiner—Christopher Lee

(74) *Attorney, Agent, or Firm*—Nixon & Vanderhye P.C.

(57) **CLAIM**

The ornamental design for a mask, as shown.

DESCRIPTION

FIG. 1 is a front perspective view of a mask according to our
design;

FIG. 2 is a front view thereof;

FIG. 3 is a rear view thereof;

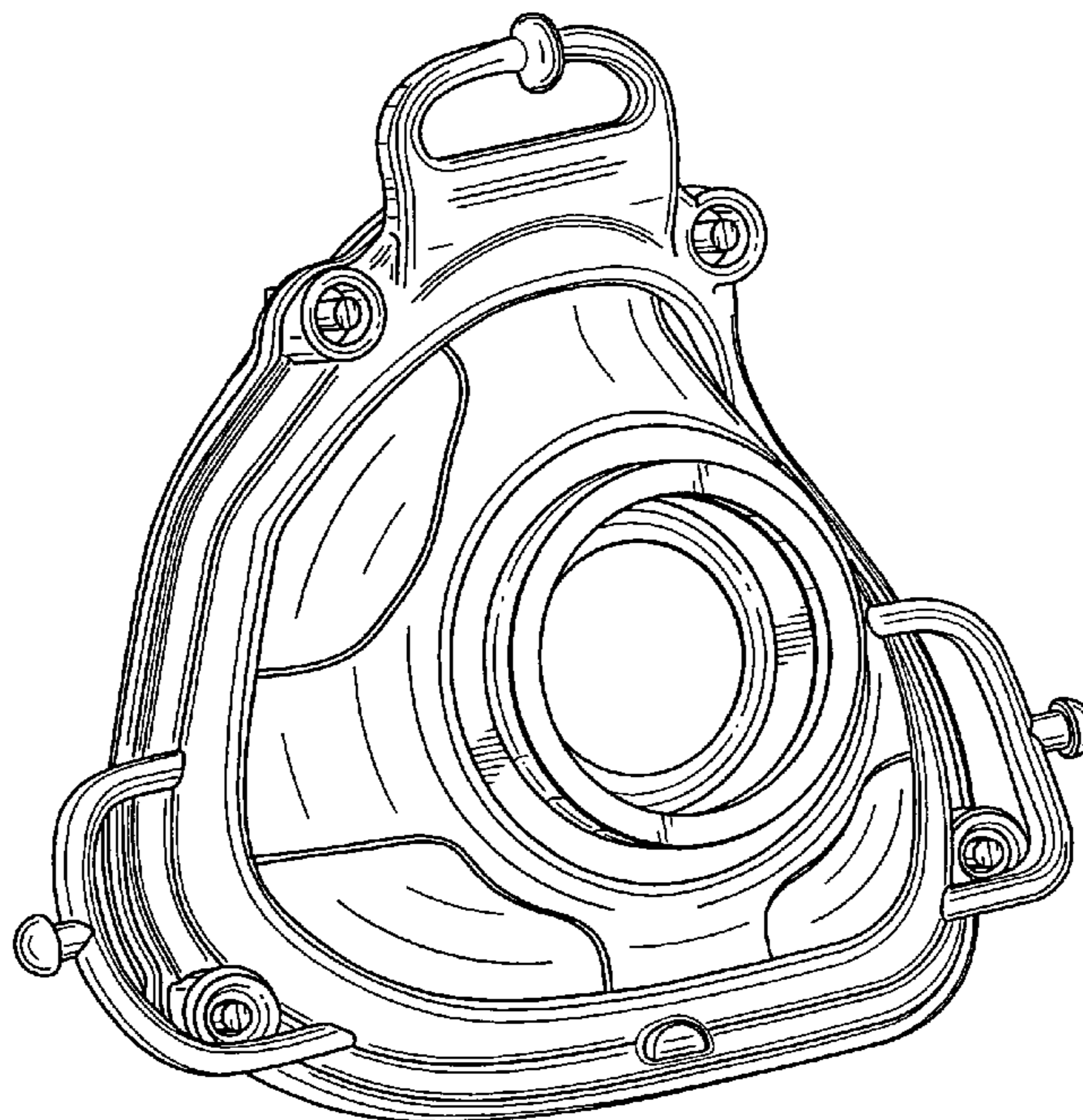
FIG. 4 is a right side view thereof;

FIG. 5 is a left side view thereof;

FIG. 6 is a top view thereof; and,

FIG. 7 is a bottom view thereof.

1 Claim, 6 Drawing Sheets



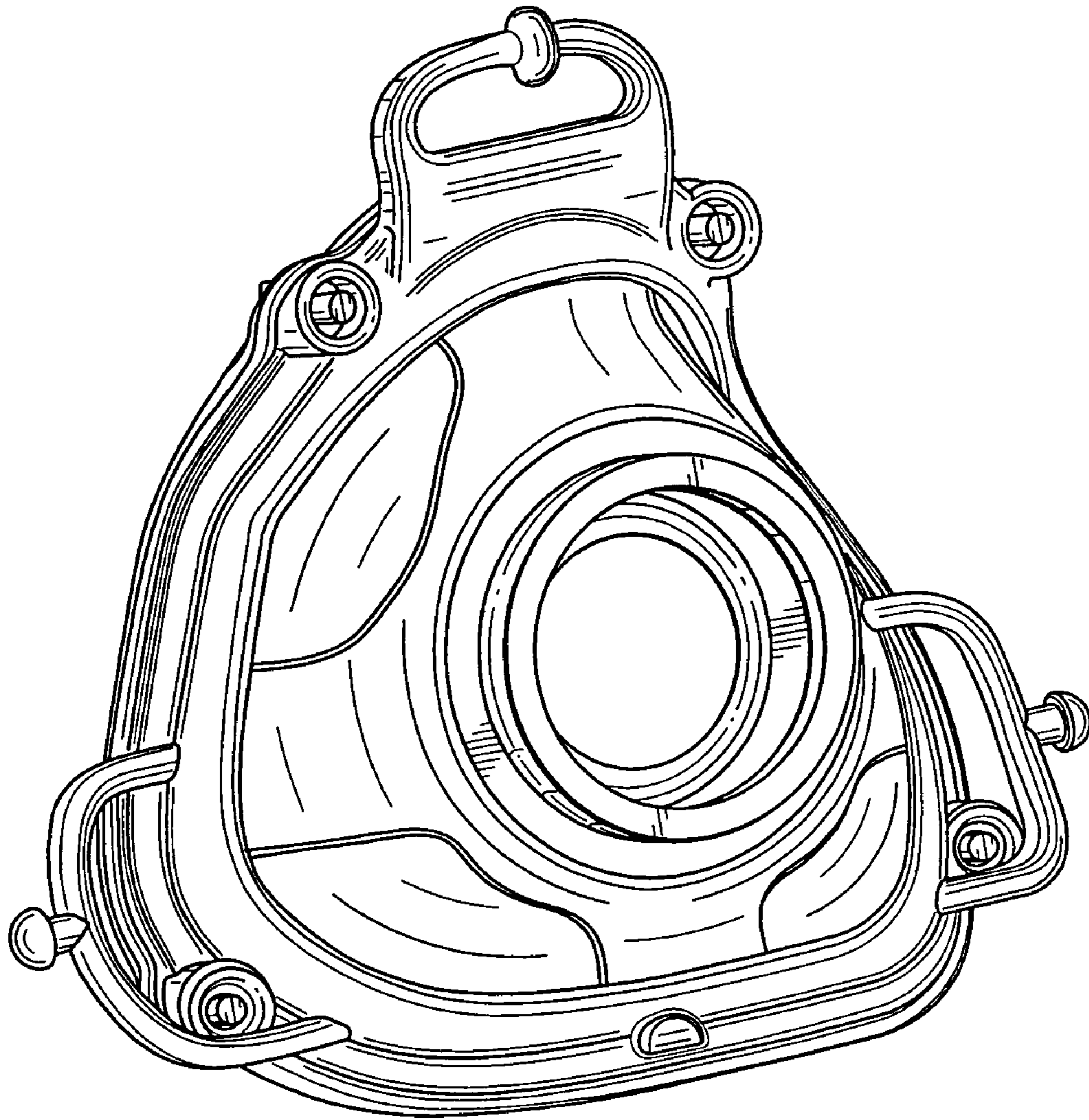


Fig. 1

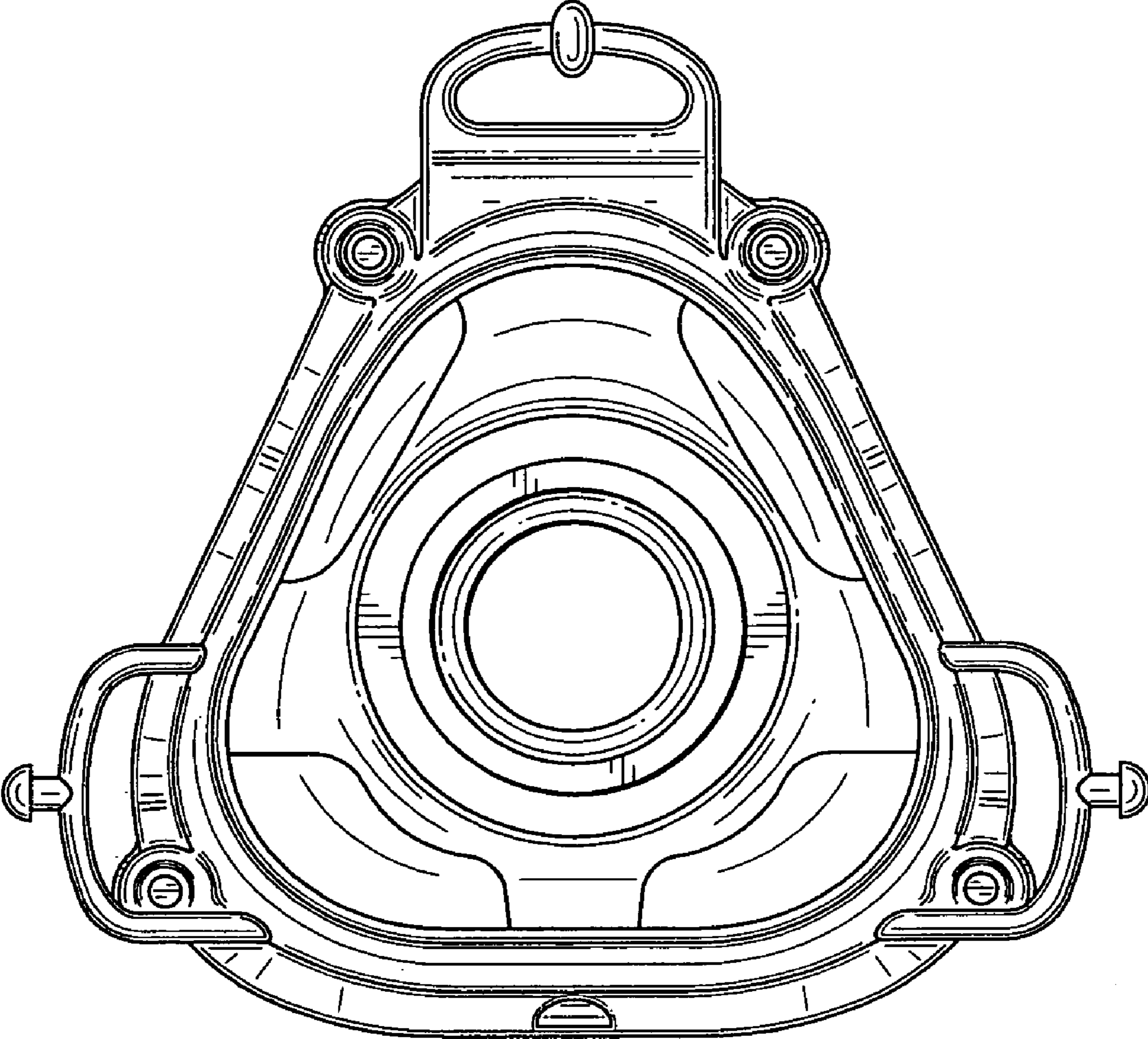


Fig. 2

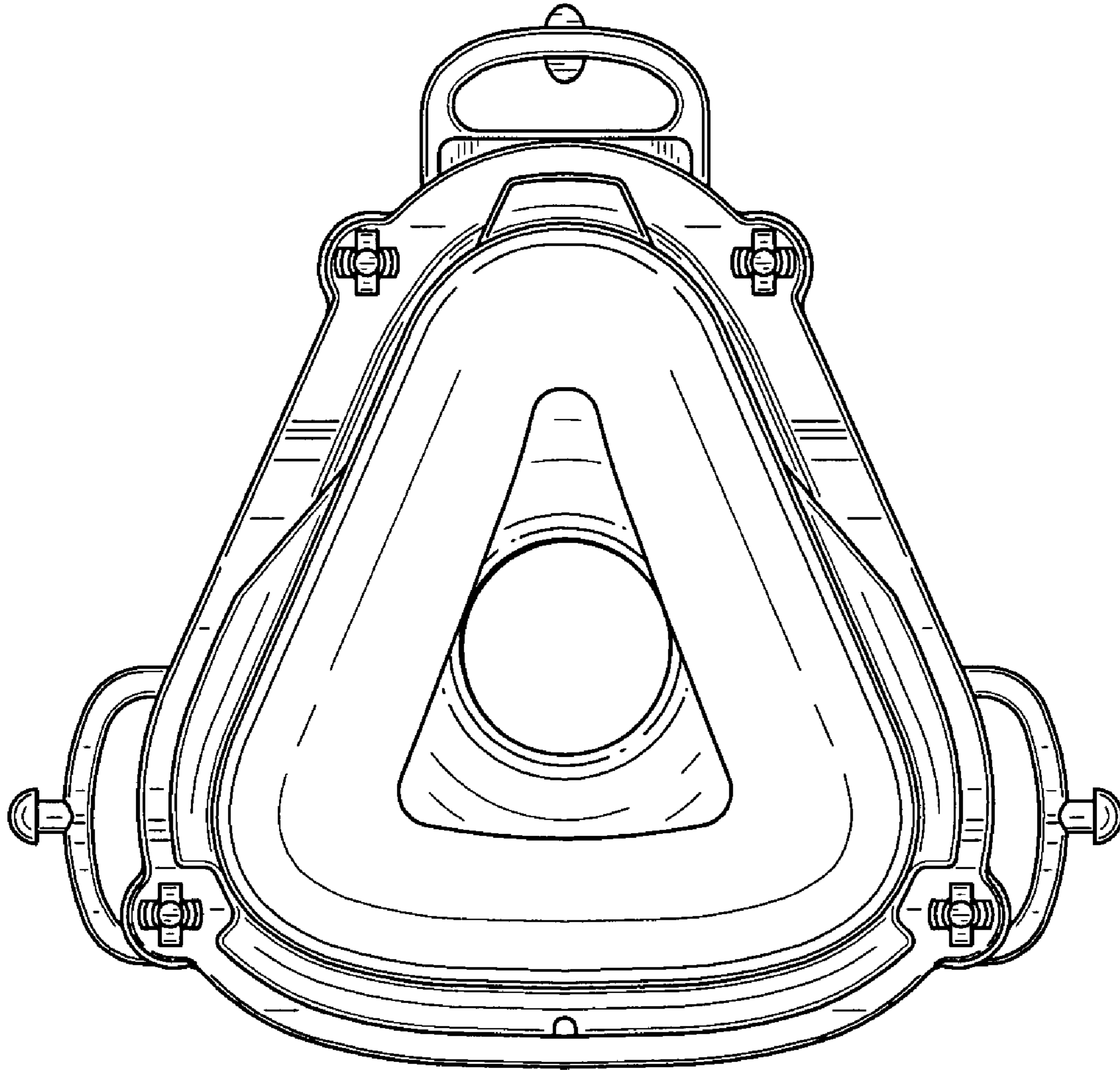


Fig. 3

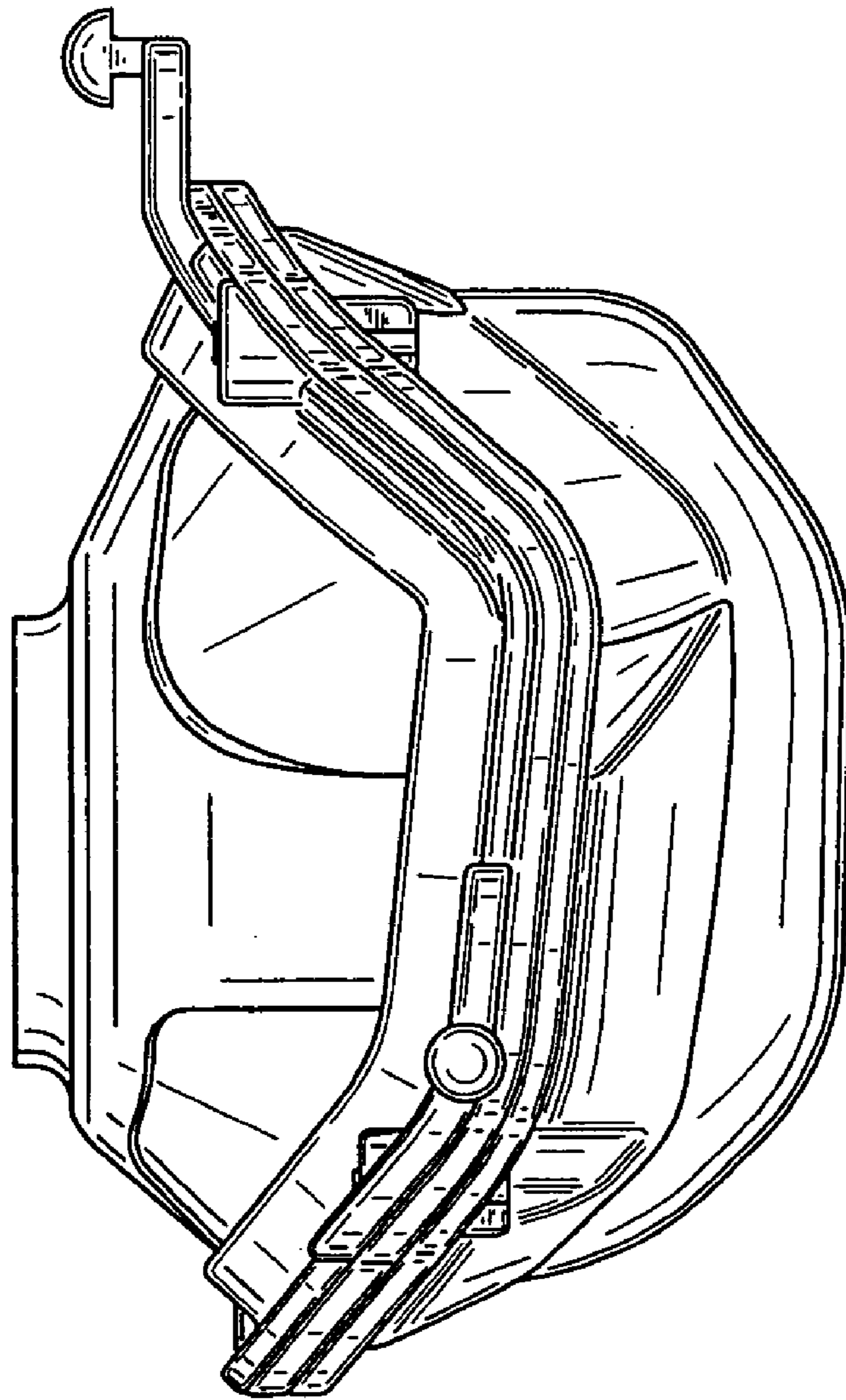


Fig. 4

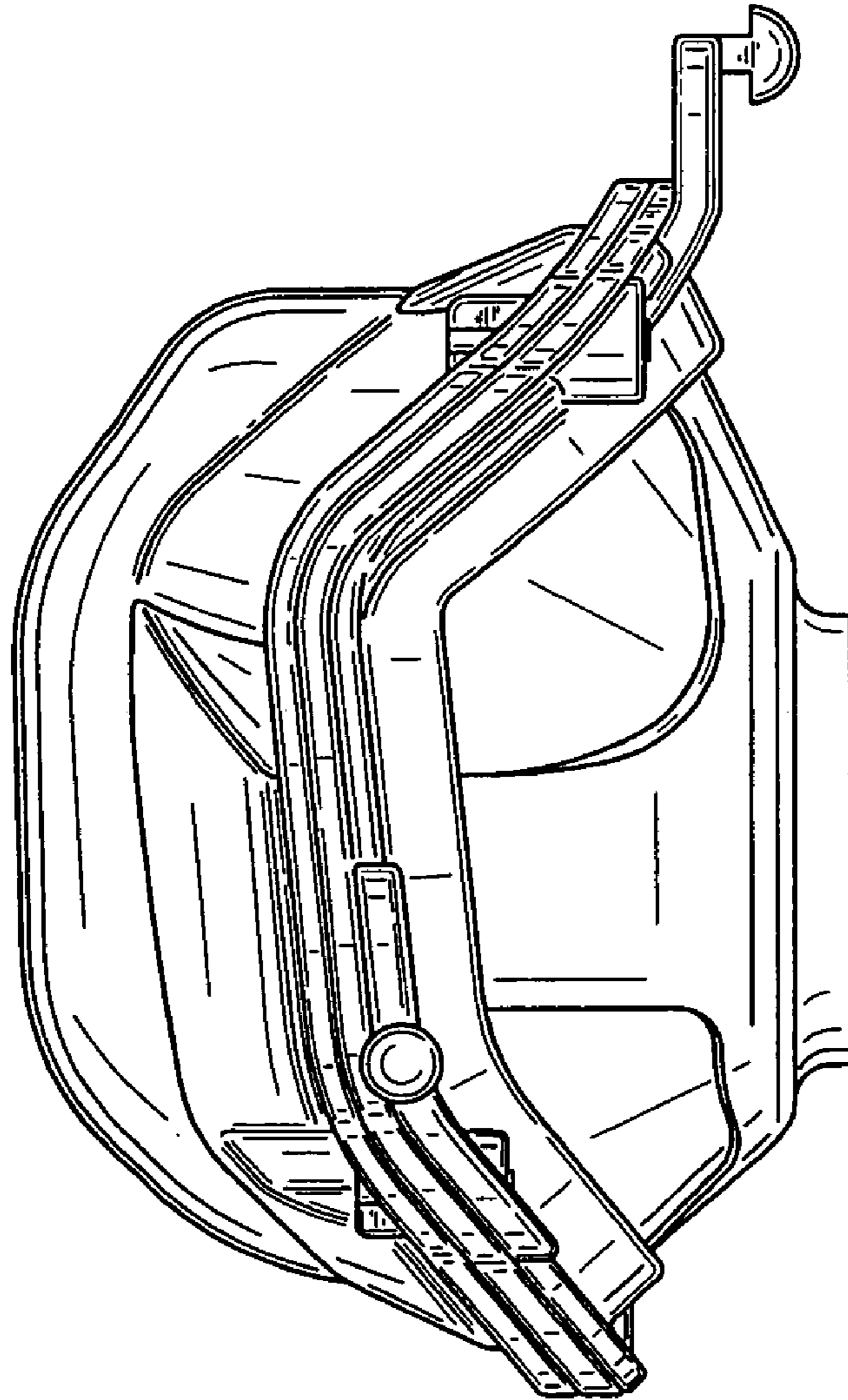


Fig. 5

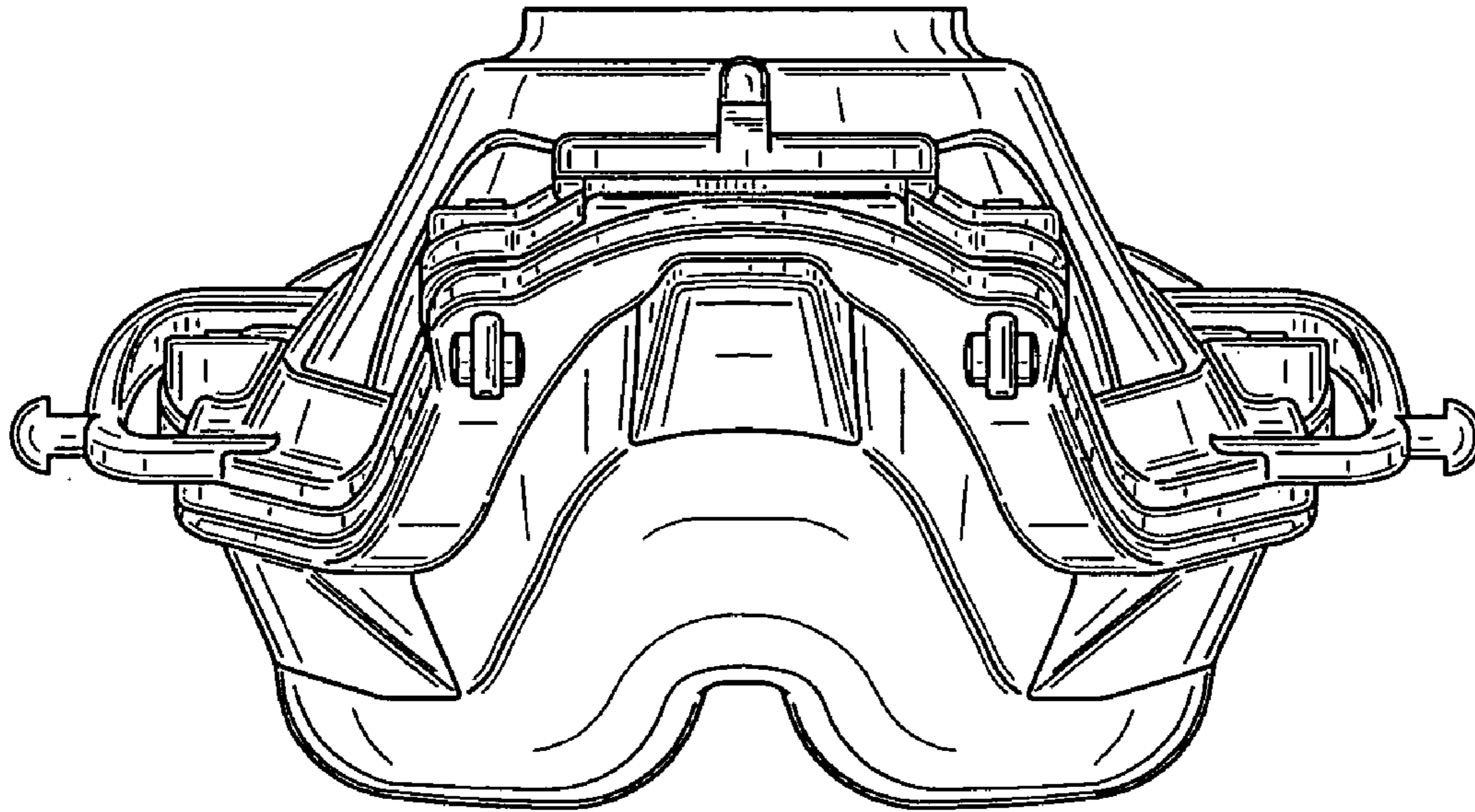


Fig. 6

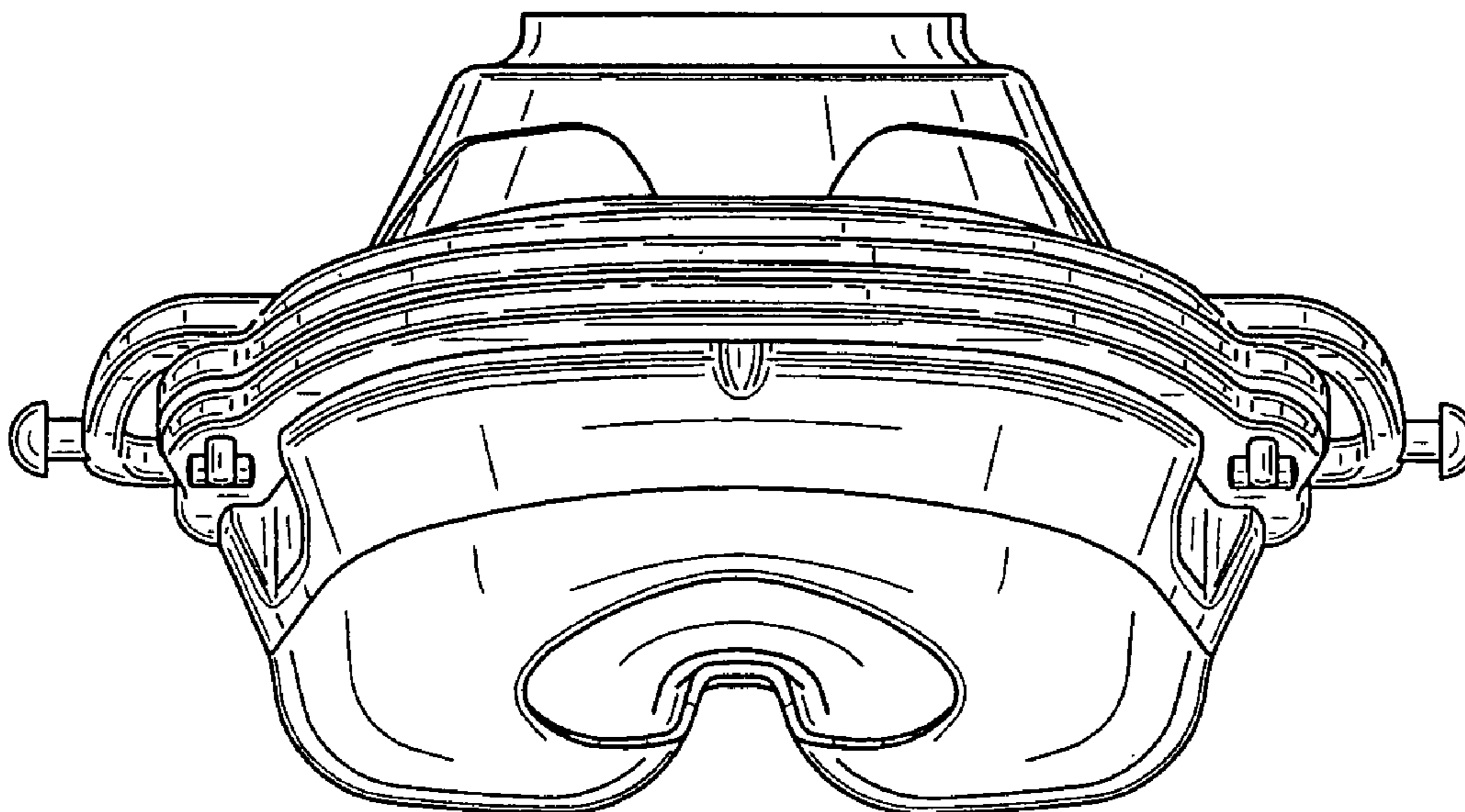


Fig. 7