



US00D560794S

(12) **United States Design Patent**
Tran et al.

(10) **Patent No.:** **US D560,794 S**
(45) **Date of Patent:** **** Jan. 29, 2008**

(54) **CYLINDRICAL BREATH-ENHANCED NEBULIZER**

(75) Inventors: **Tuan Quoc Tran**, Glen Allen, VA (US);
Amy Laituri Krieg, Gushikawa (JP);
Travis Lontz, Woodford, VA (US)

(73) Assignee: **PRE Holding, Inc.**, Midlothian, VA (US)

(**) Term: **14 Years**

(21) Appl. No.: **29/266,489**

(22) Filed: **Sep. 22, 2006**

(51) **LOC (8) Cl.** **29-02**

(52) **U.S. Cl.** **D24/110**

(58) **Field of Classification Search** D24/110;
D9/560; D7/608; 128/200.14, 203.12, 200.23,
128/204.21, 205.24, 203.28, 203.14, 205.13
See application file for complete search history.

(56) **References Cited**

U.S. PATENT DOCUMENTS

D331,281 S *	11/1992	Levine	D24/110
5,415,161 A *	5/1995	Ryder	128/200.23
5,853,002 A *	12/1998	Kawasaki	128/200.14
D441,069 S *	4/2001	Hammarlund et al.	D24/110
6,578,571 B1 *	6/2003	Watt	128/200.14
2006/0021613 A1 *	2/2006	Overlander	128/200.14

* cited by examiner

Primary Examiner—Ian Simmons

Assistant Examiner—Christopher Lee

(74) *Attorney, Agent, or Firm*—McGuireWoods LLP

(57) **CLAIM**

We claim the ornamental design for a cylindrical breath-enhanced nebulizer, as shown and described.

DESCRIPTION

FIG. 1 is a perspective view of the cylindrical breath-enhanced nebulizer;

FIG. 2 is a front view of the design embodiment shown in FIG. 1;

FIG. 3 is a back view of the design embodiment shown in FIG. 1;

FIG. 4 is a right side view of the design embodiment shown in FIG. 1;

FIG. 5 is a top view of the design embodiment shown in FIG. 1;

FIG. 6 is a bottom view of the design of embodiment shown in FIG. 1;

FIG. 7 is a perspective view of another aspect of the cylindrical breath-enhanced nebulizer;

FIG. 8 is a front view of the design embodiment shown in FIG. 7;

FIG. 9 is a back view of the design embodiment shown in FIG. 7;

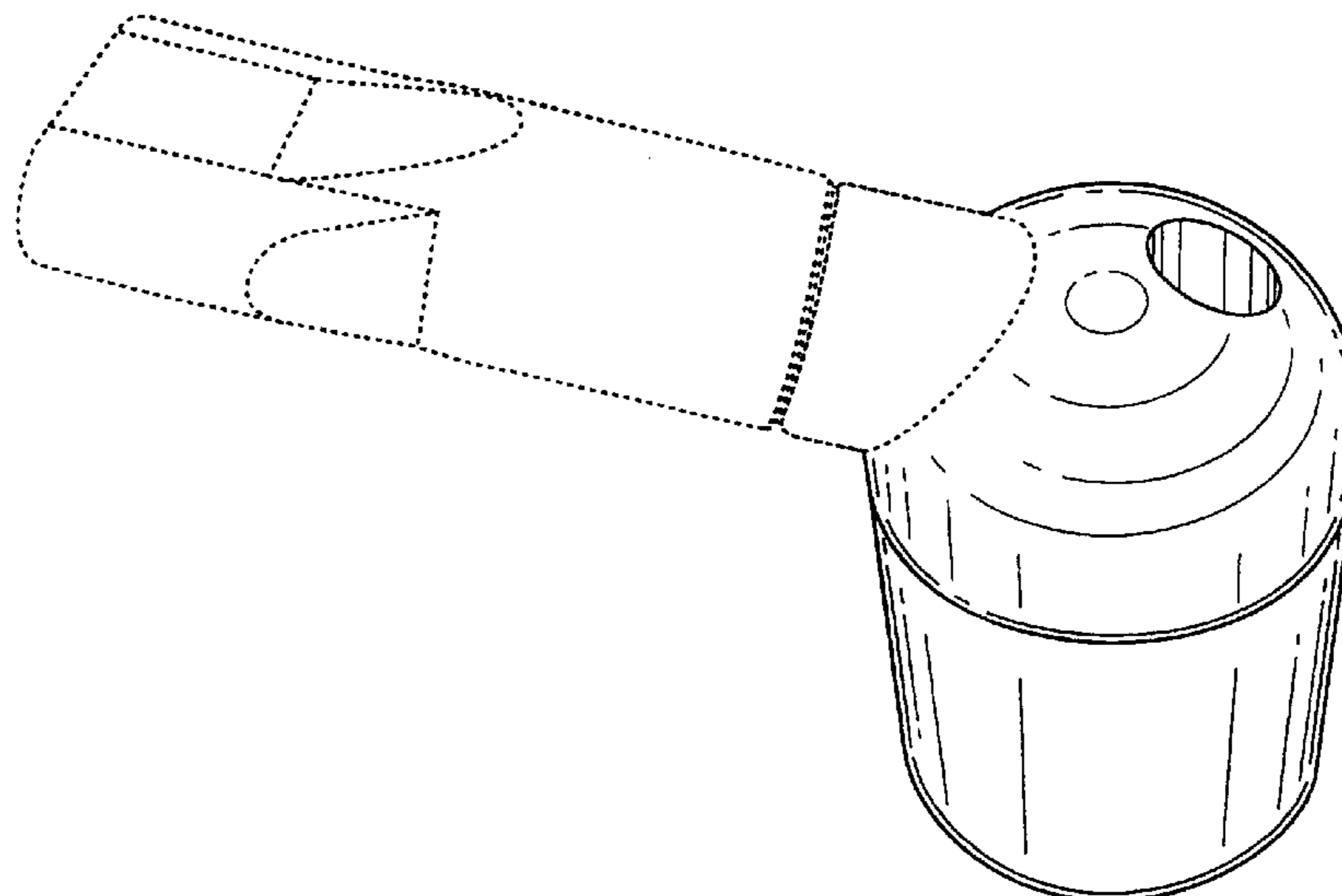
FIG. 10 is a right side view of the design embodiment shown in FIG. 7;

FIG. 11 is a top view of the design embodiment shown in FIG. 7; and,

FIG. 12 is a bottom view of the design embodiment shown in FIG. 7.

The portion of the article in broken lines shown in FIGS. 1–12 are for illustrative purposes only and form no part of the claimed design.

1 Claim, 8 Drawing Sheets



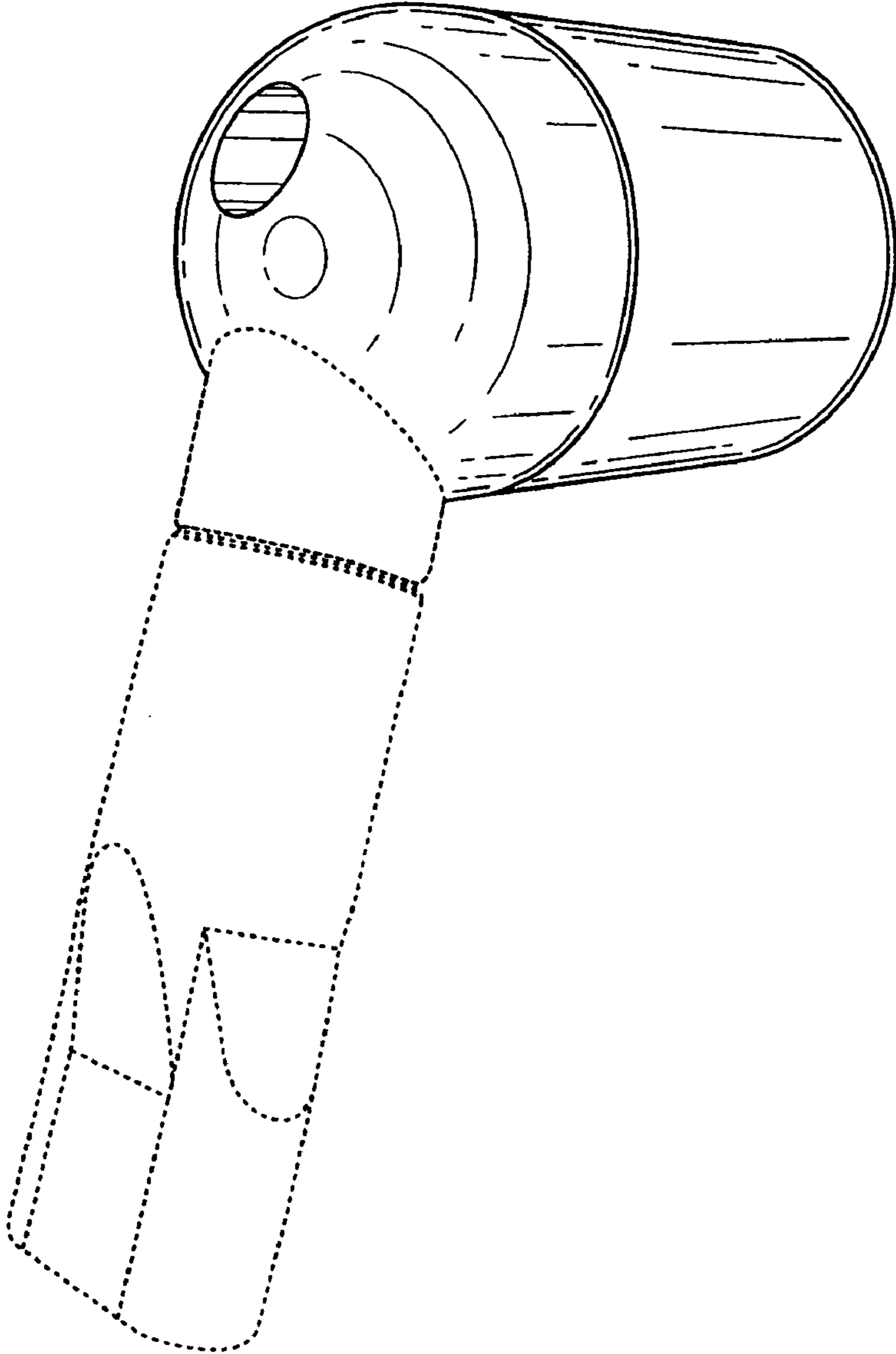


Fig. 1

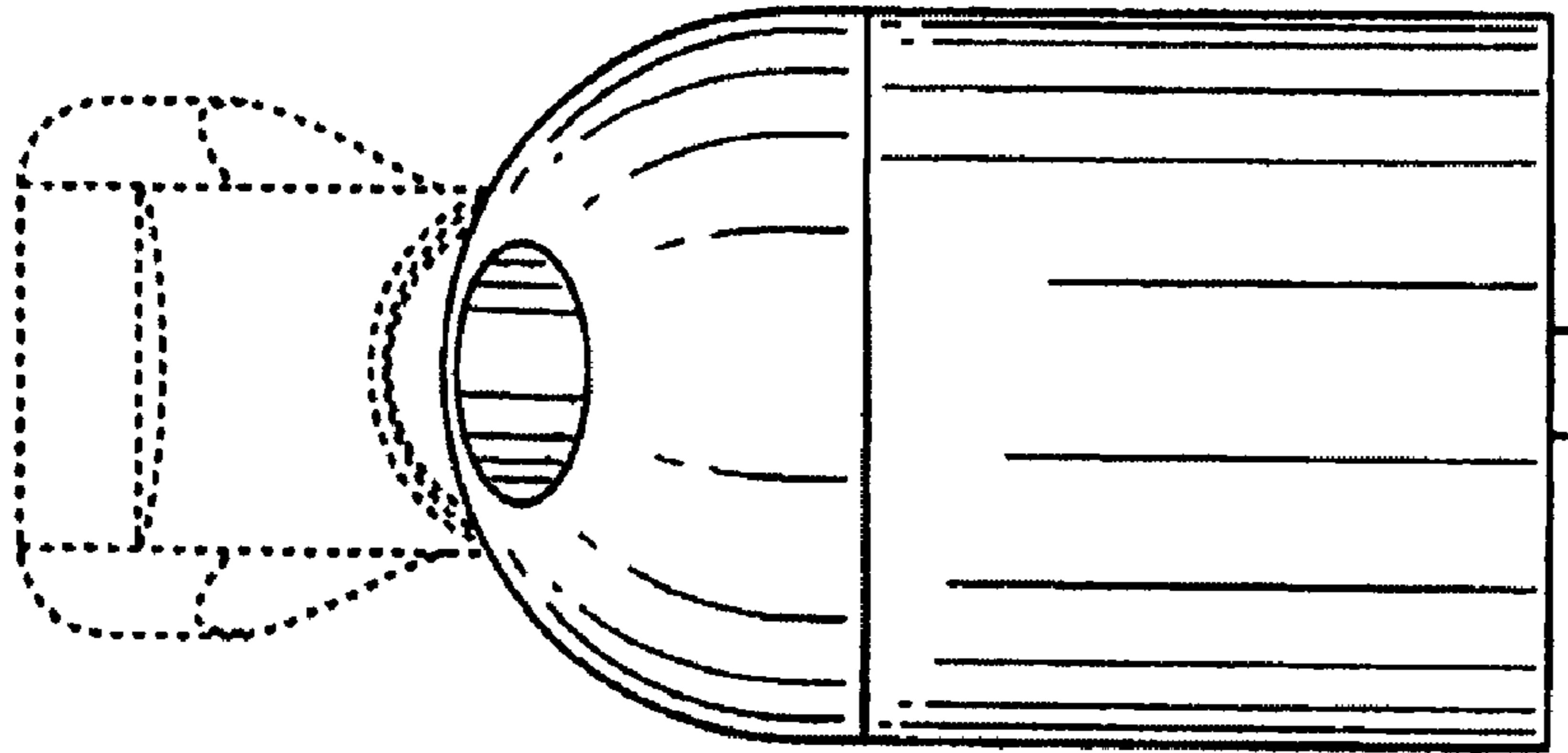


Fig. 2

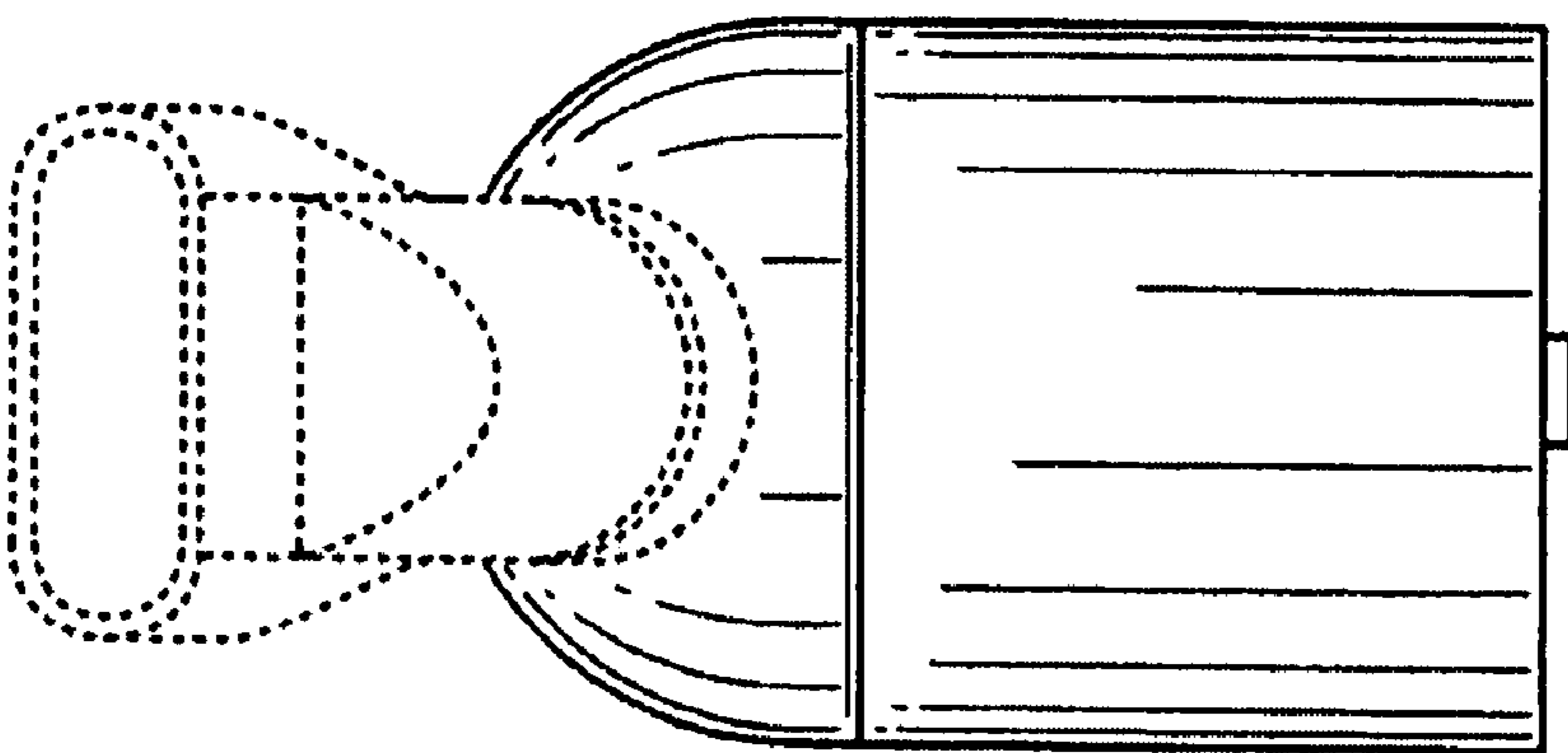


Fig. 3

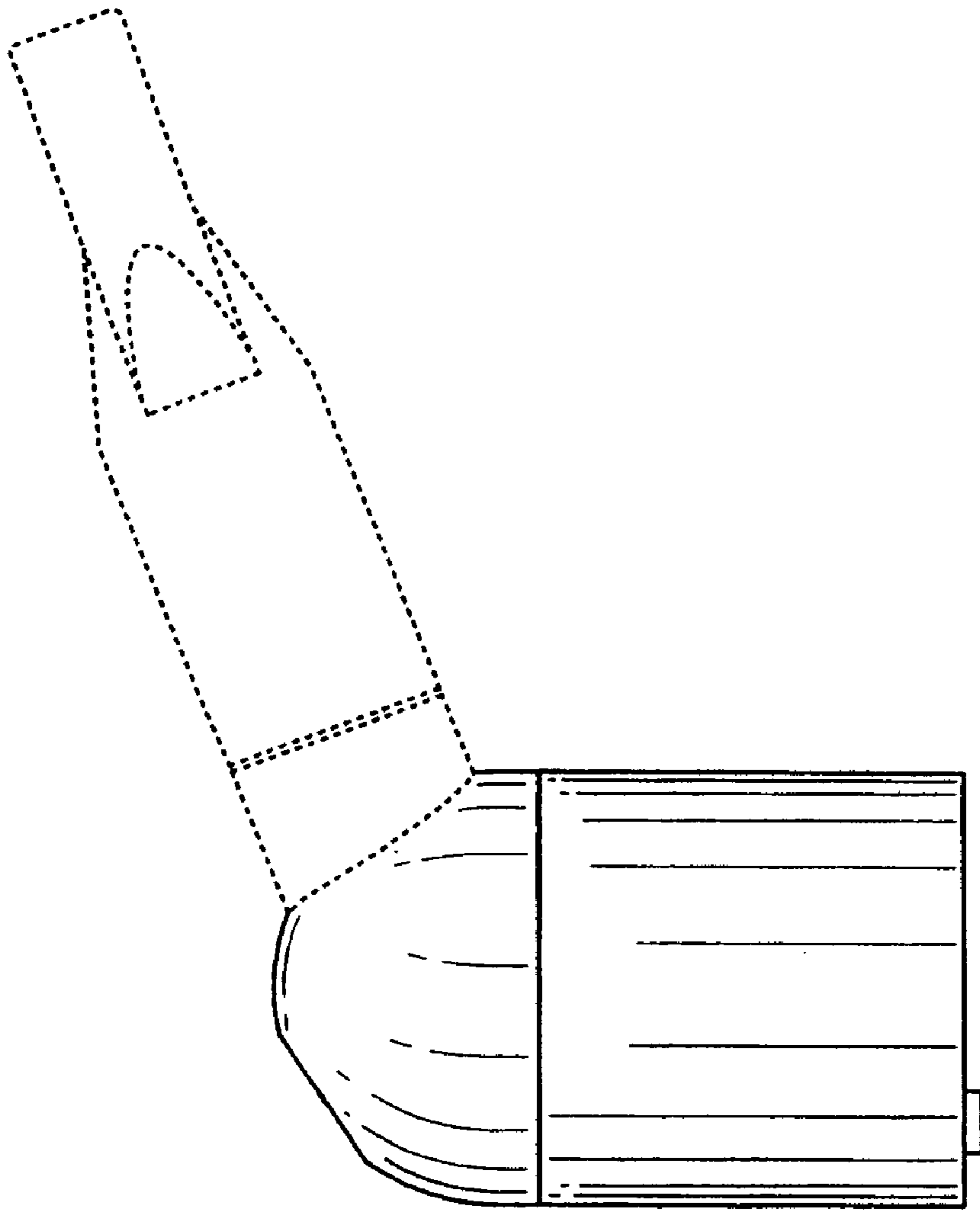


Fig. 4

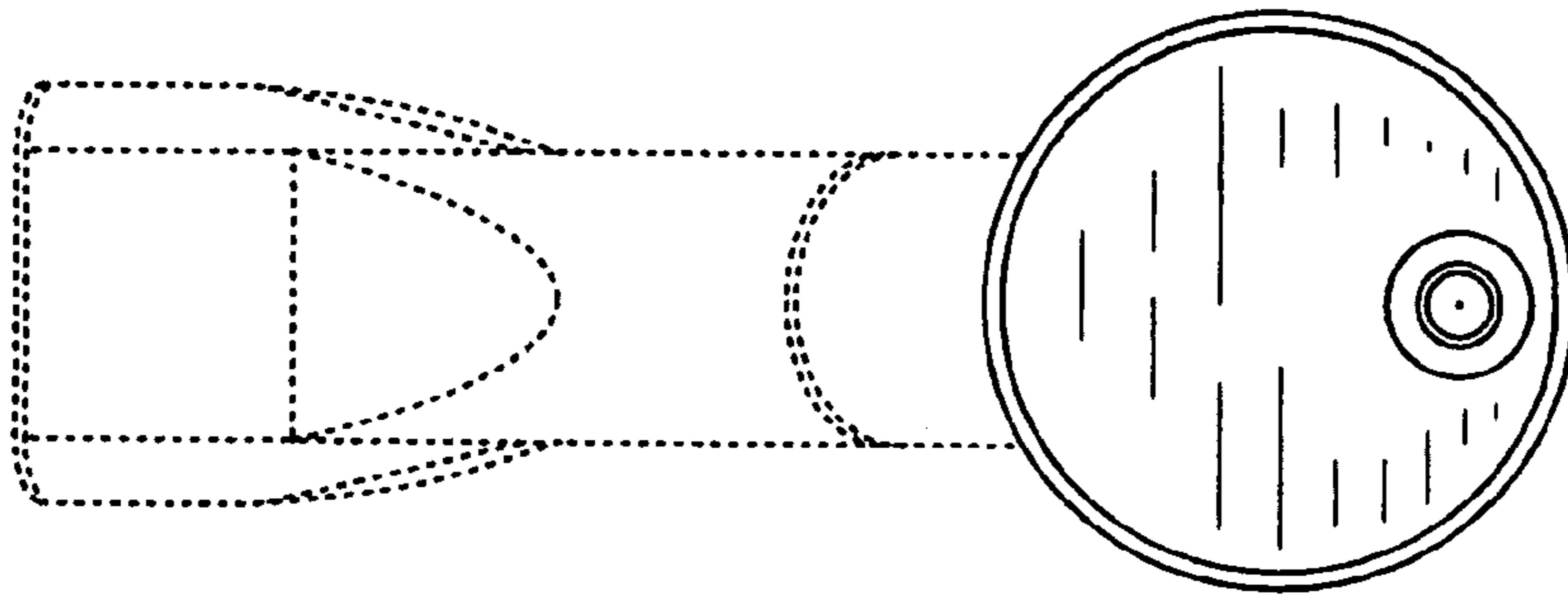


Fig. 6

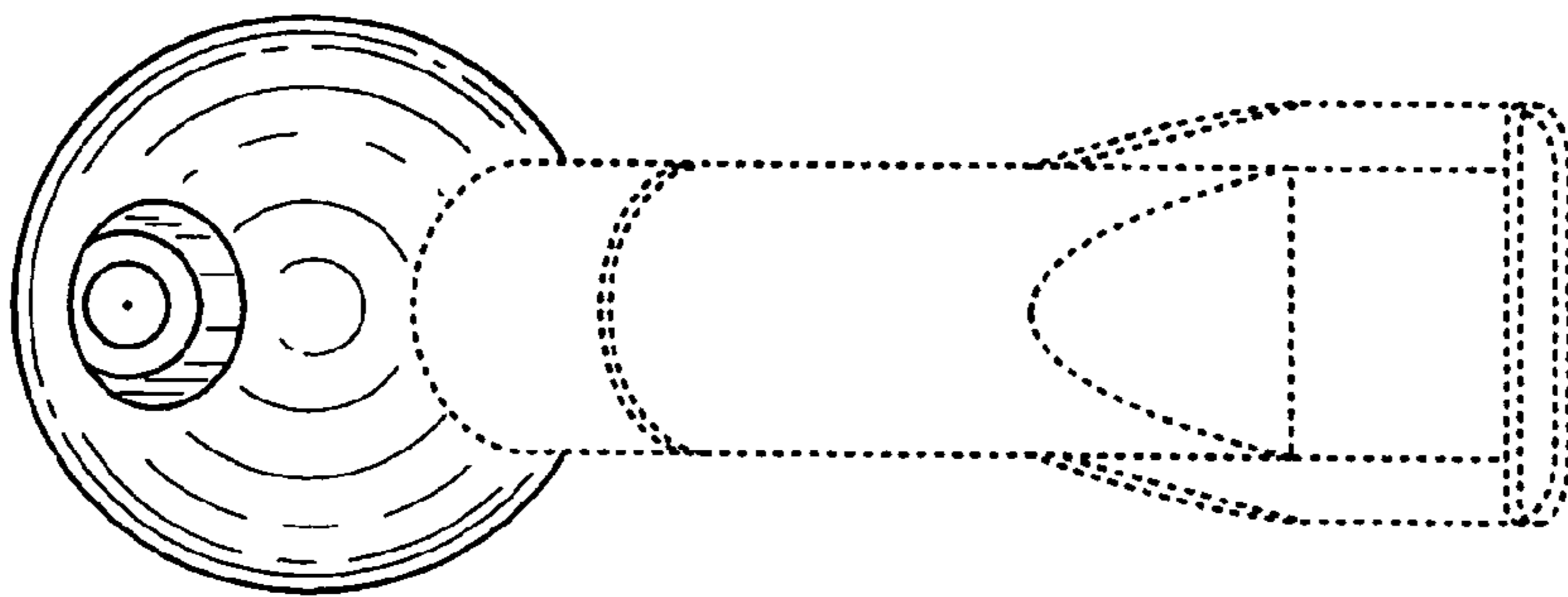


Fig. 5

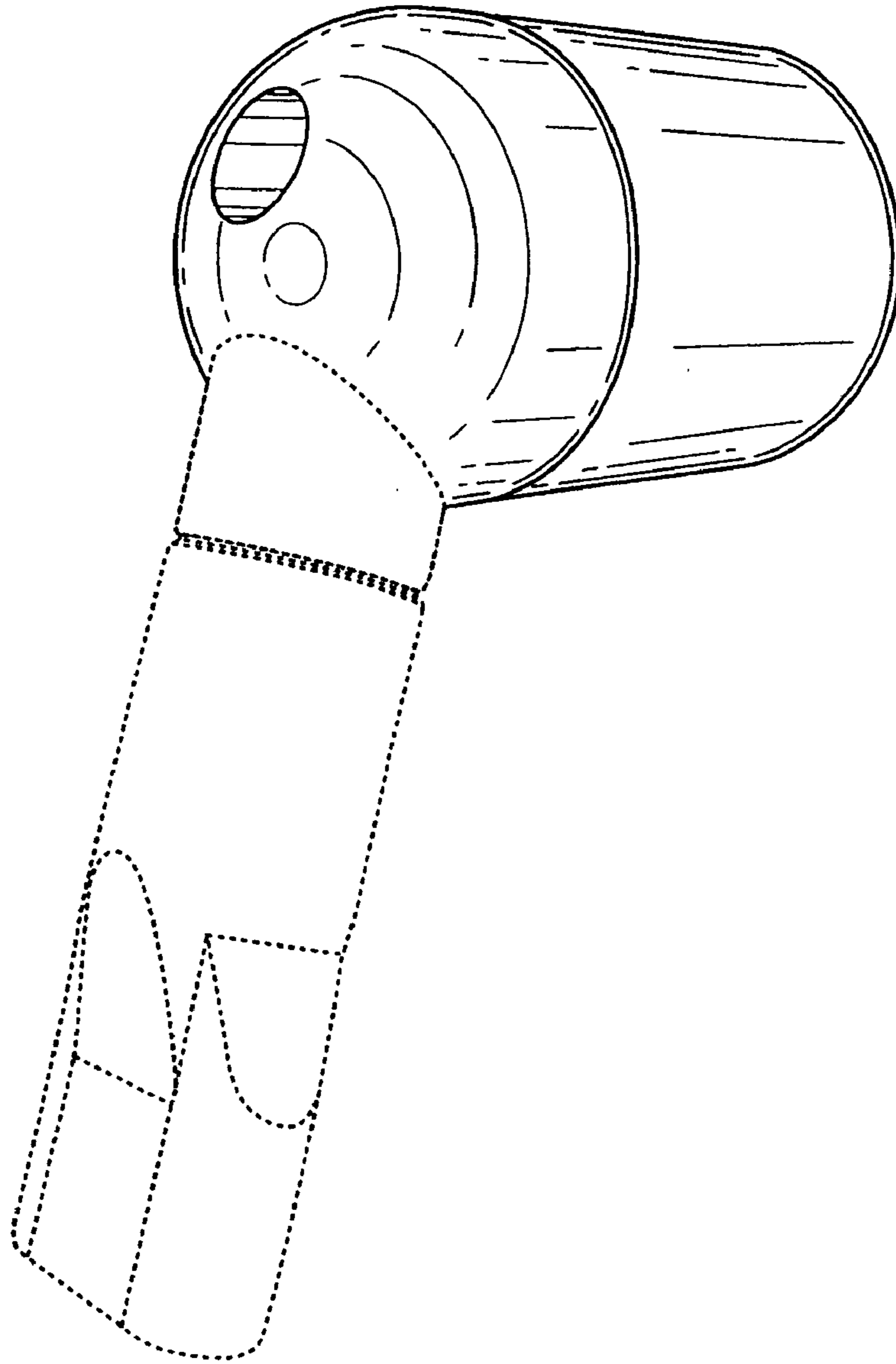


Fig. 7

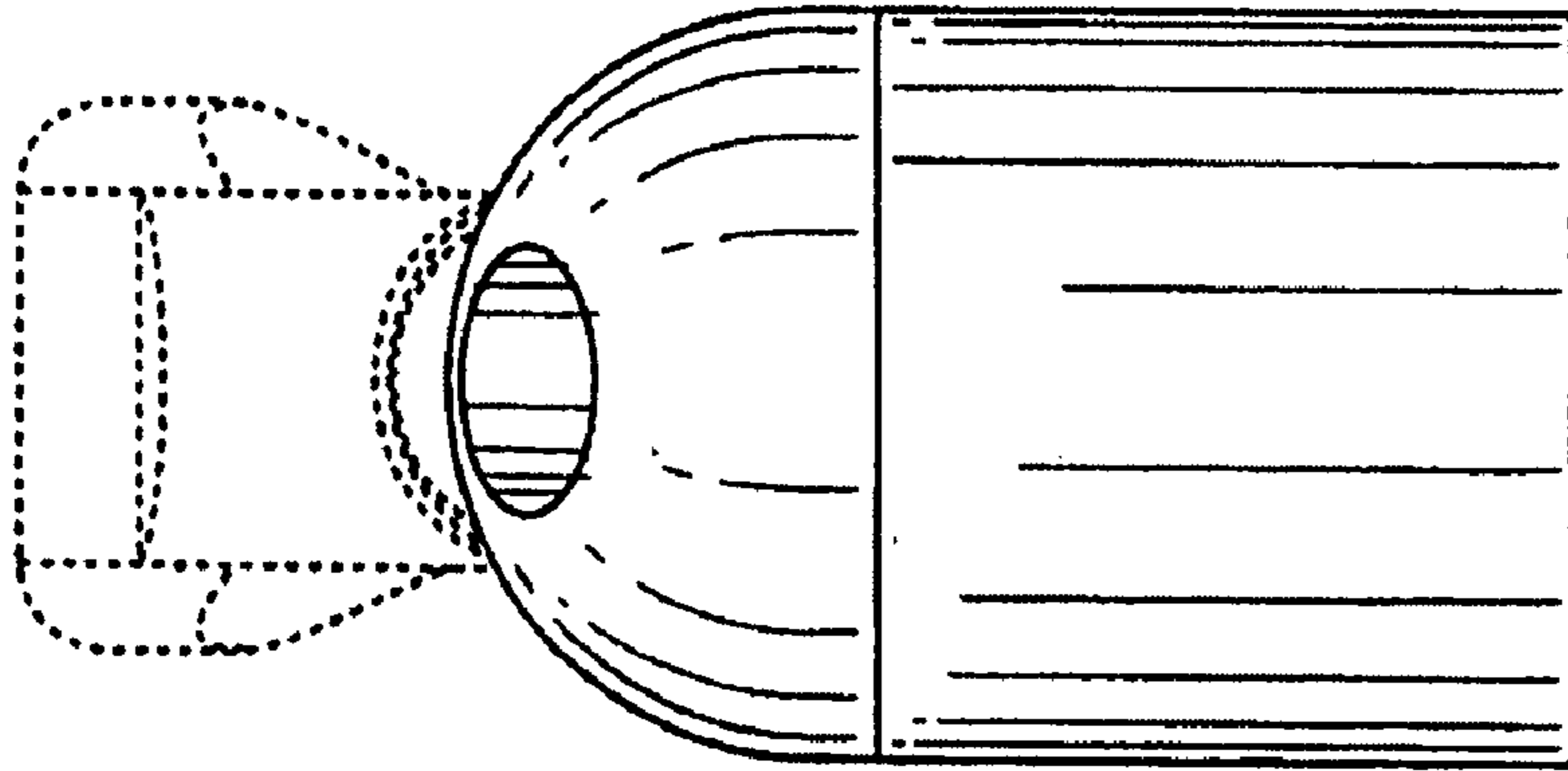


Fig. 9

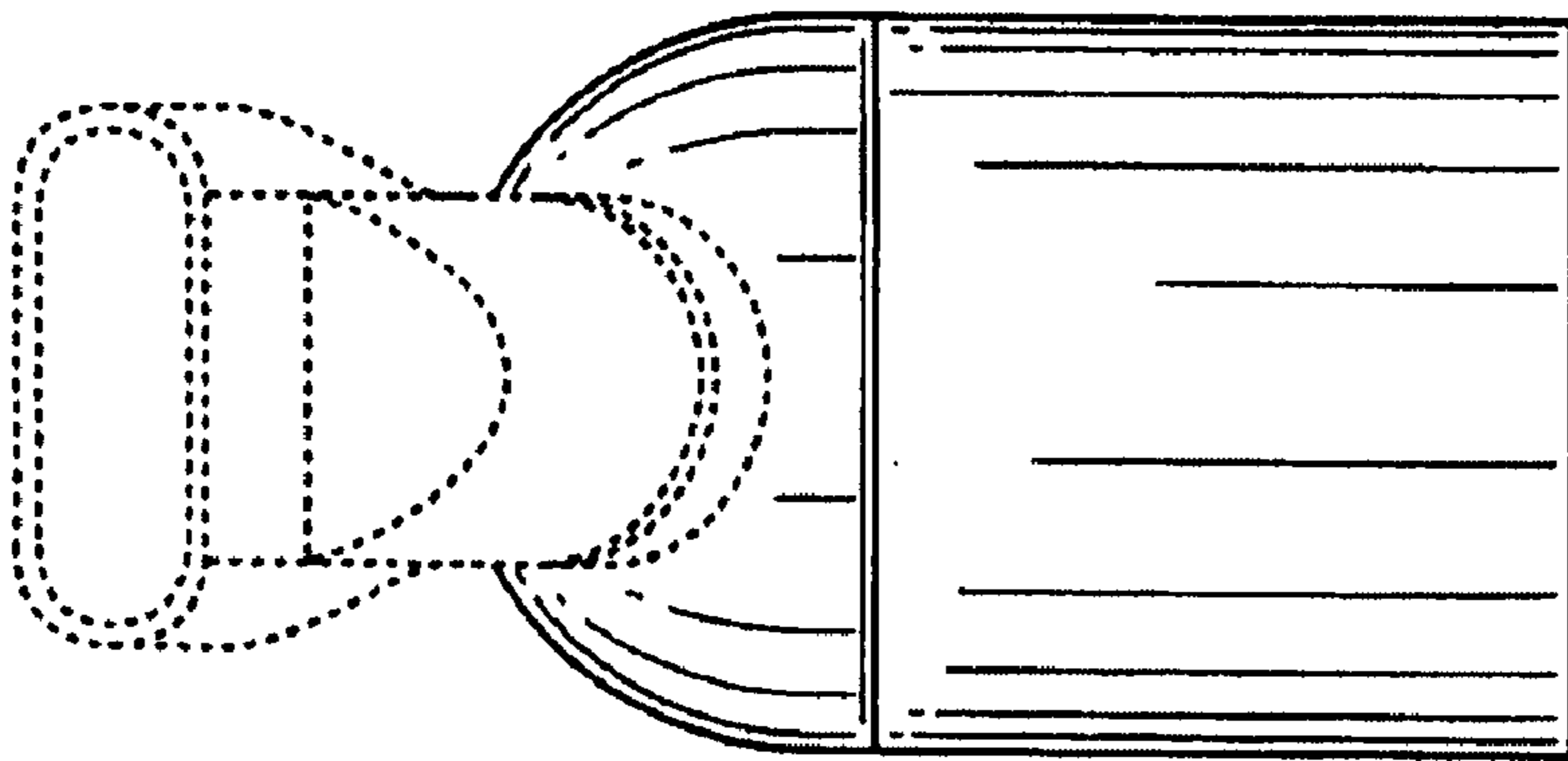


Fig. 8

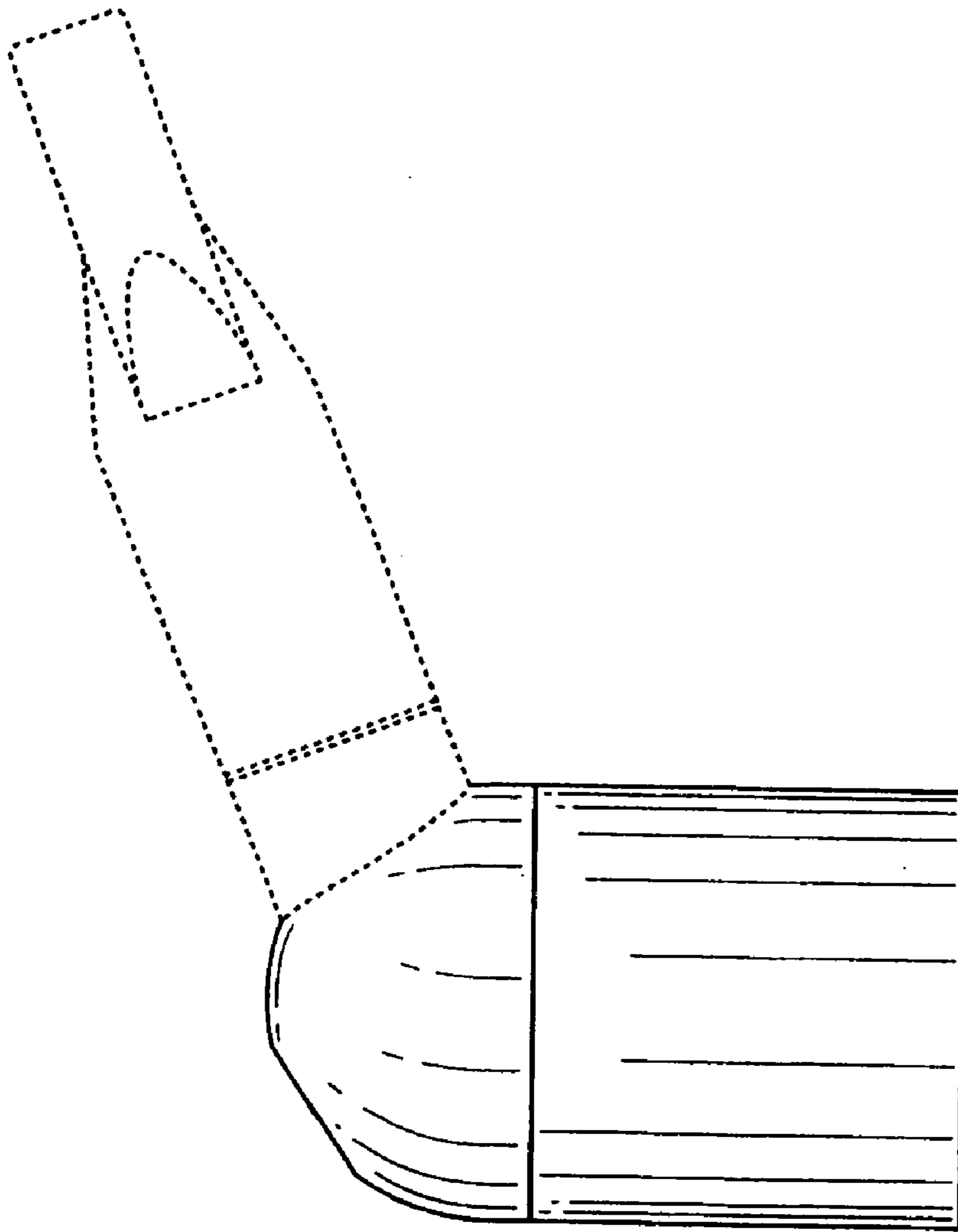


Fig. 10

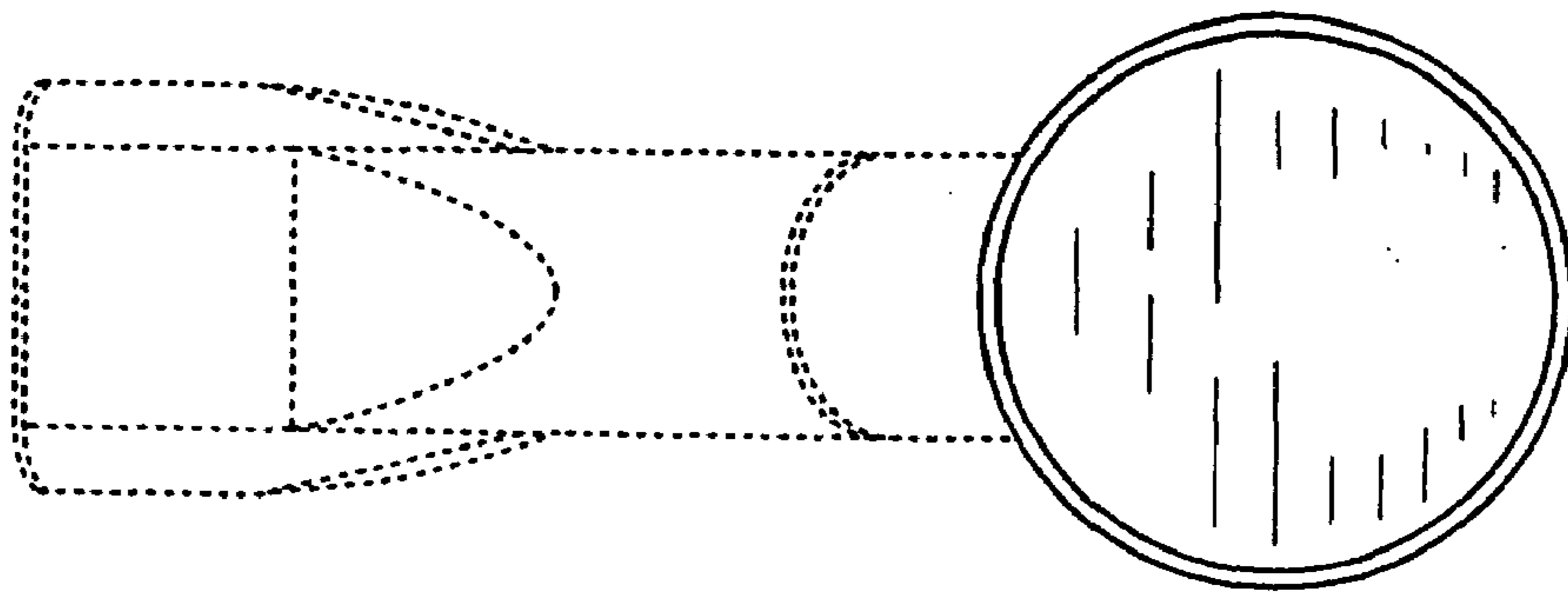


Fig. 12

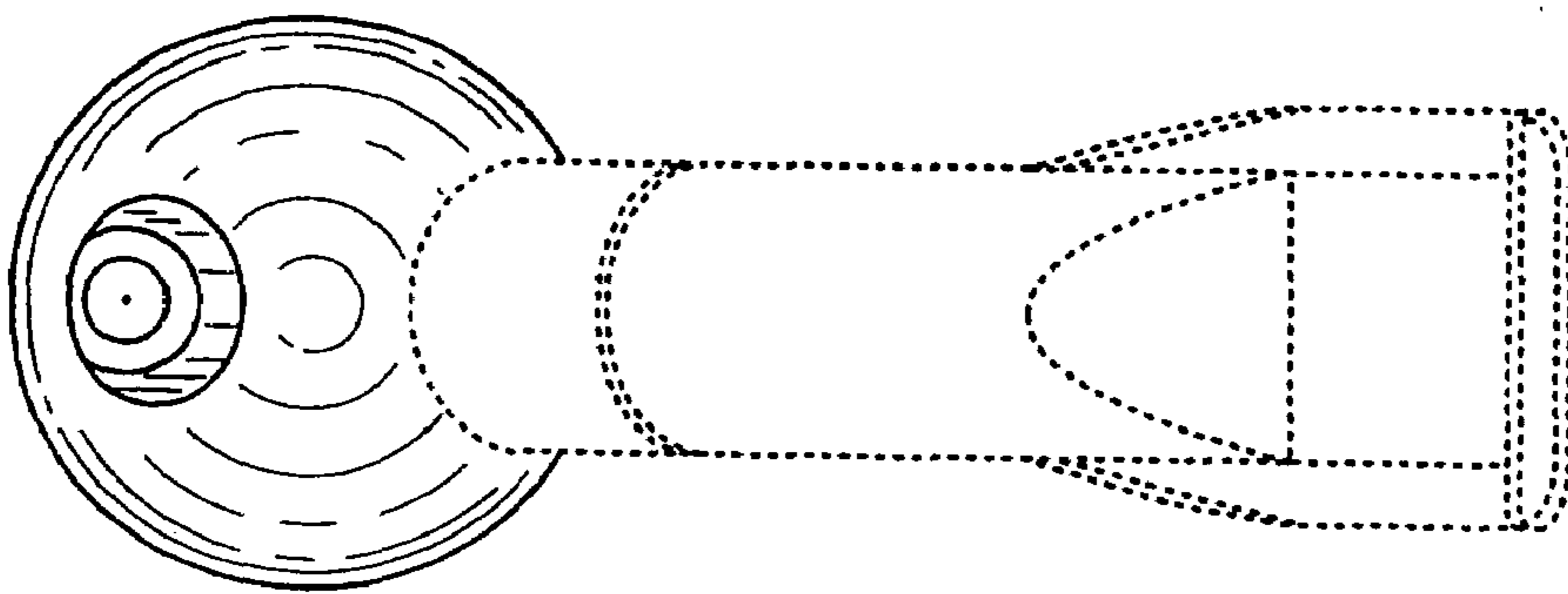


Fig. 11