



US00D560790S

(12) **United States Design Patent**
Chernick et al.

(10) **Patent No.:** **US D560,790 S**
(45) **Date of Patent:** **** Jan. 29, 2008**

(54) **HANDHELD ELECTRIC FAN WITH AN ELONGATED NECK**

D461,552 S * 8/2002 Wright D23/377
D482,064 S * 11/2003 Steiner et al. 416/146 R
D544,078 S * 6/2007 Geringer D23/377

(76) Inventors: **Mark Chernick**, 19180 144th Ave.,
NE., Woodinville, WA (US) 98072;
Webb T. Nelson, 19180 144th Ave.,
NE., Woodinville, WA (US) 98072

* cited by examiner

Primary Examiner—Lisa Lichtenstein
(74) *Attorney, Agent, or Firm*—Lamorte & Associates

(**) Term: **14 Years**

(21) Appl. No.: **29/262,057**

(57) **CLAIM**

(22) Filed: **Jun. 27, 2006**

The ornamental design for a handheld electric fan with an elongated neck, as shown and described.

Related U.S. Application Data

DESCRIPTION

(63) Continuation-in-part of application No. 10/944,646,
filed on Sep. 20, 2004, now Pat. No. 7,179,149.

(51) **LOC (8) Cl.** **23-04**

(52) **U.S. Cl.** **D23/379**

(58) **Field of Classification Search** D23/379,
D23/413; 416/146 R, 63, 142
See application file for complete search history.

FIG. 1 is a perspective view of a handheld electric fan with an elongated neck;

FIG. 2 is a front view thereof;

FIG. 3 is a rear view thereof;

FIG. 4 is a right side view thereof, the left side view being a mirror image;

FIG. 5 is a top view thereof; and,

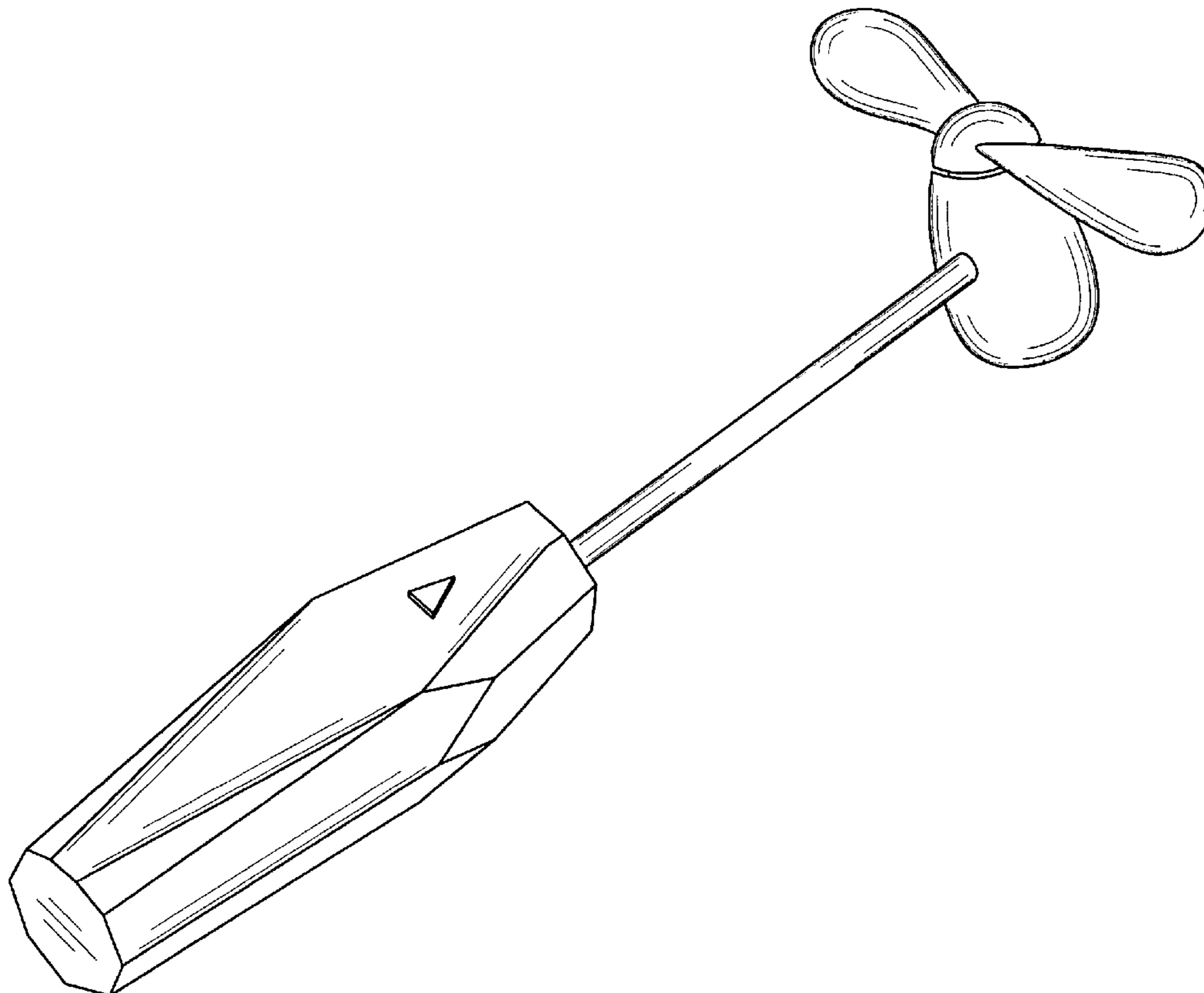
FIG. 6 is a bottom view thereof.

(56) **References Cited**

U.S. PATENT DOCUMENTS

D451,994 S * 12/2001 Yuen 416/63

1 Claim, 5 Drawing Sheets



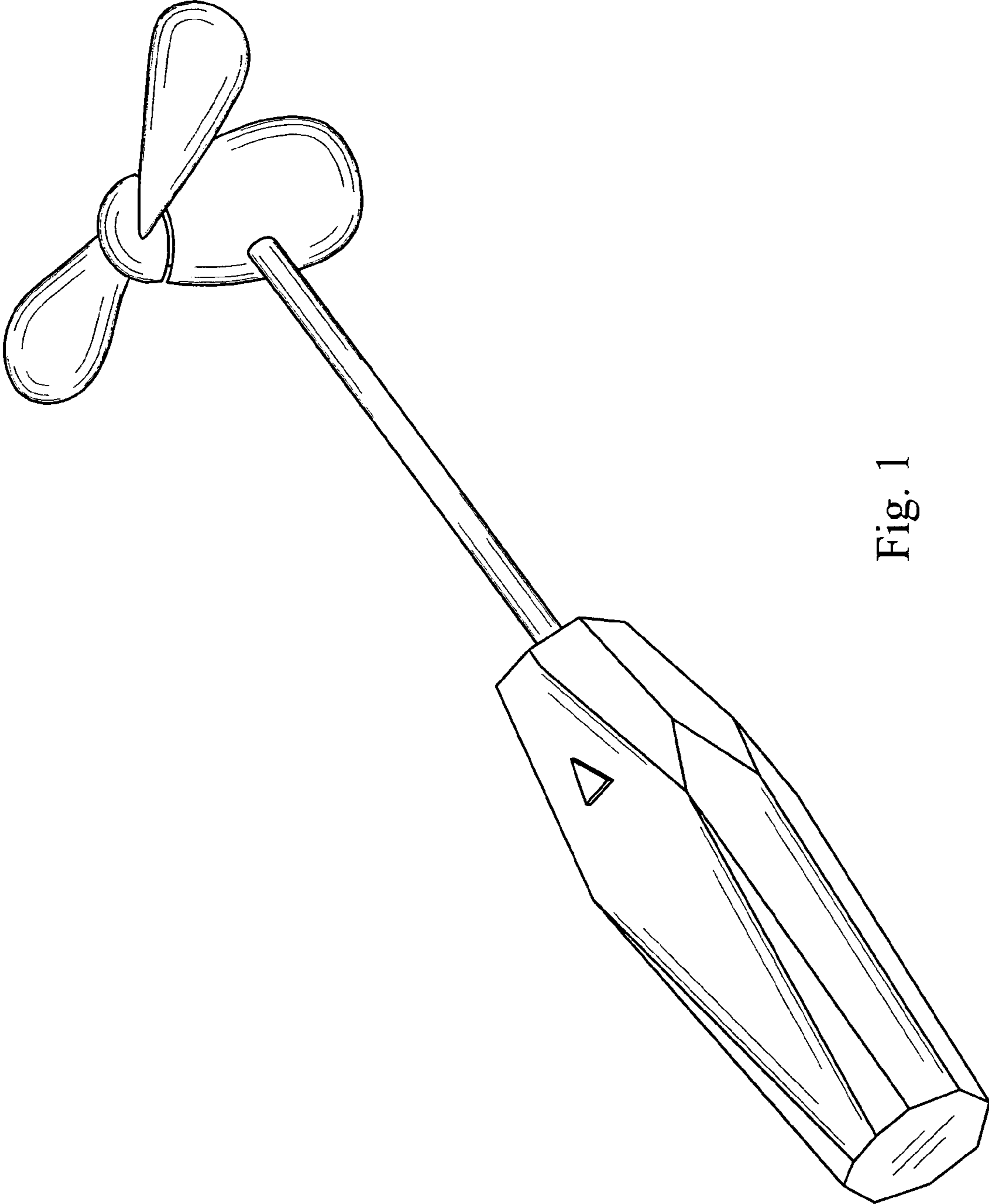


Fig. 1

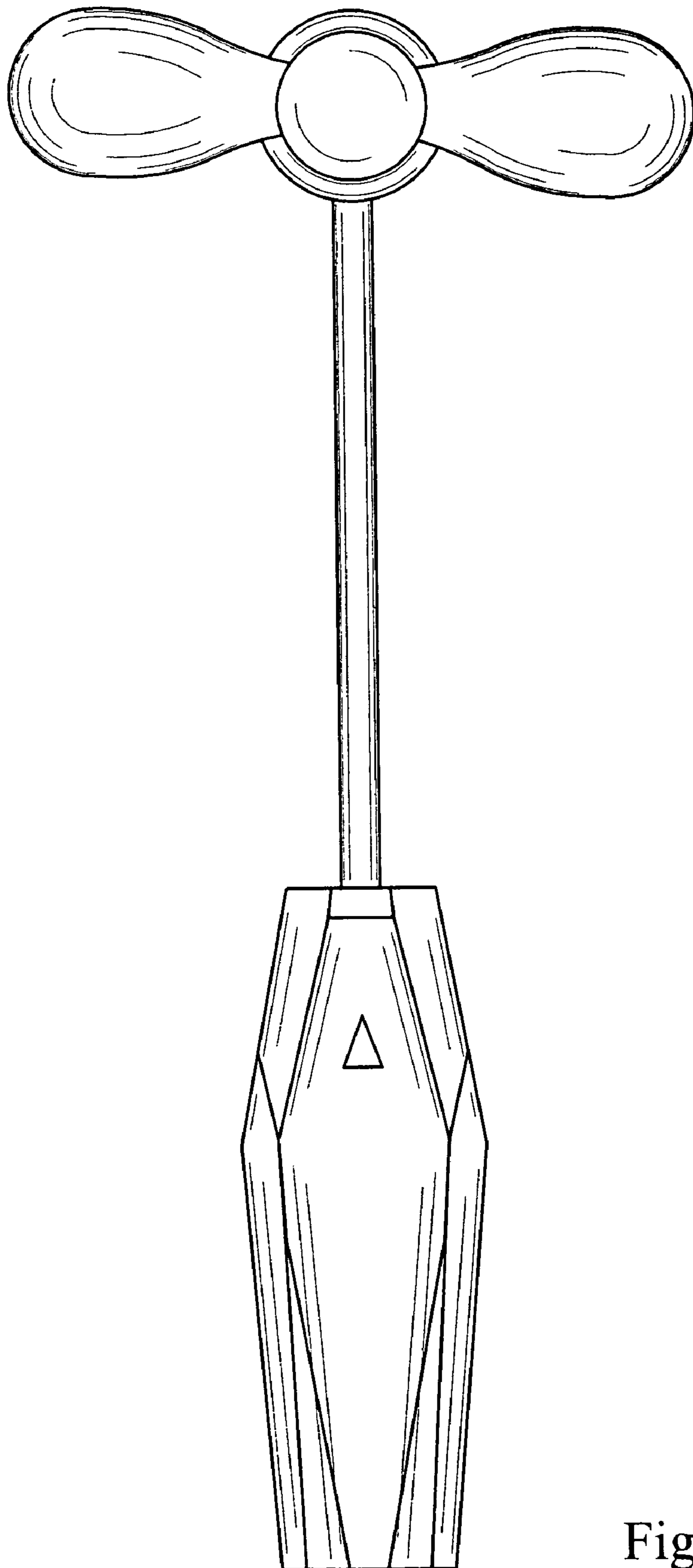


Fig. 2

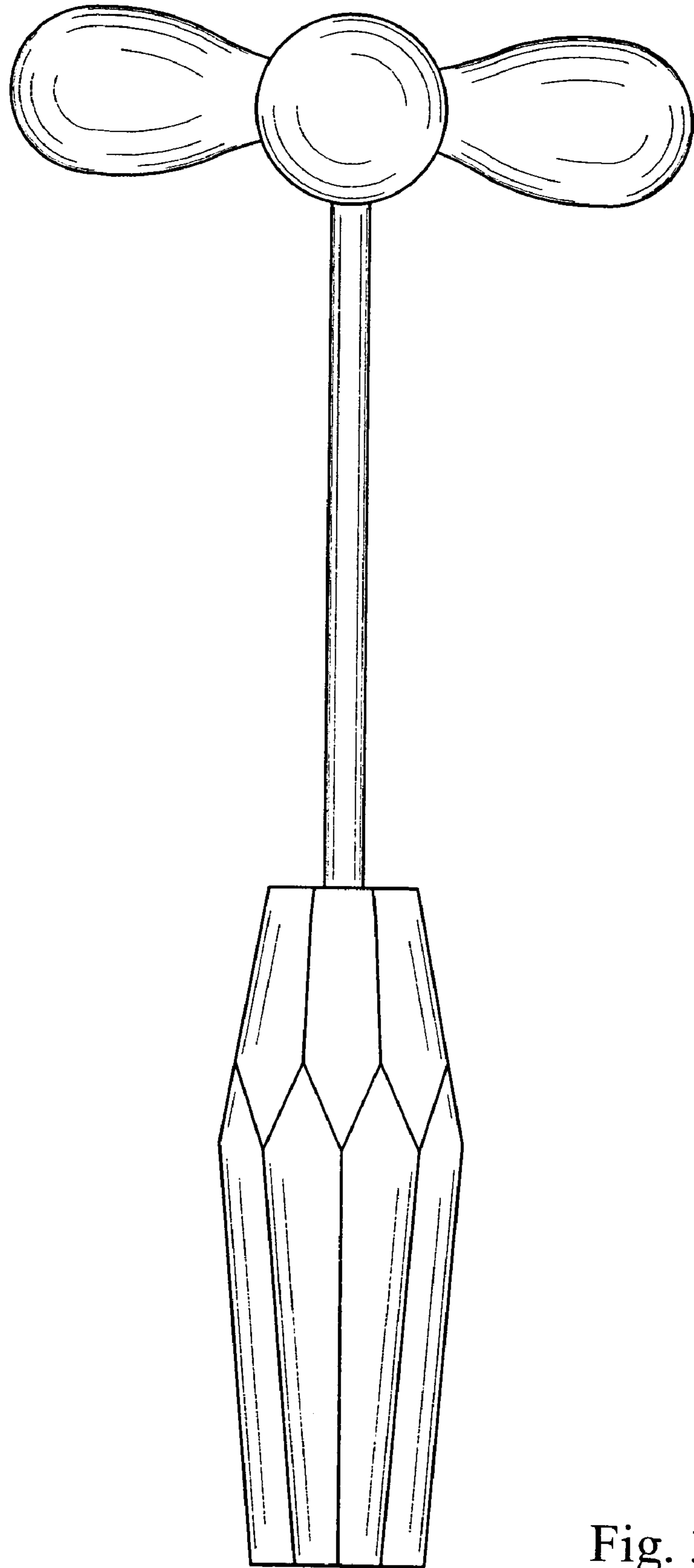


Fig. 3

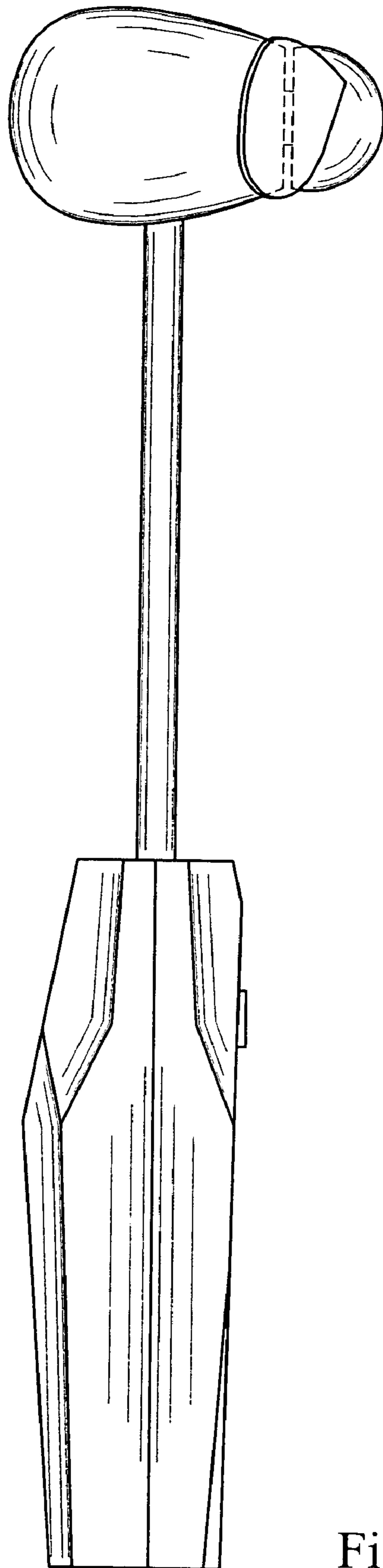


Fig. 4

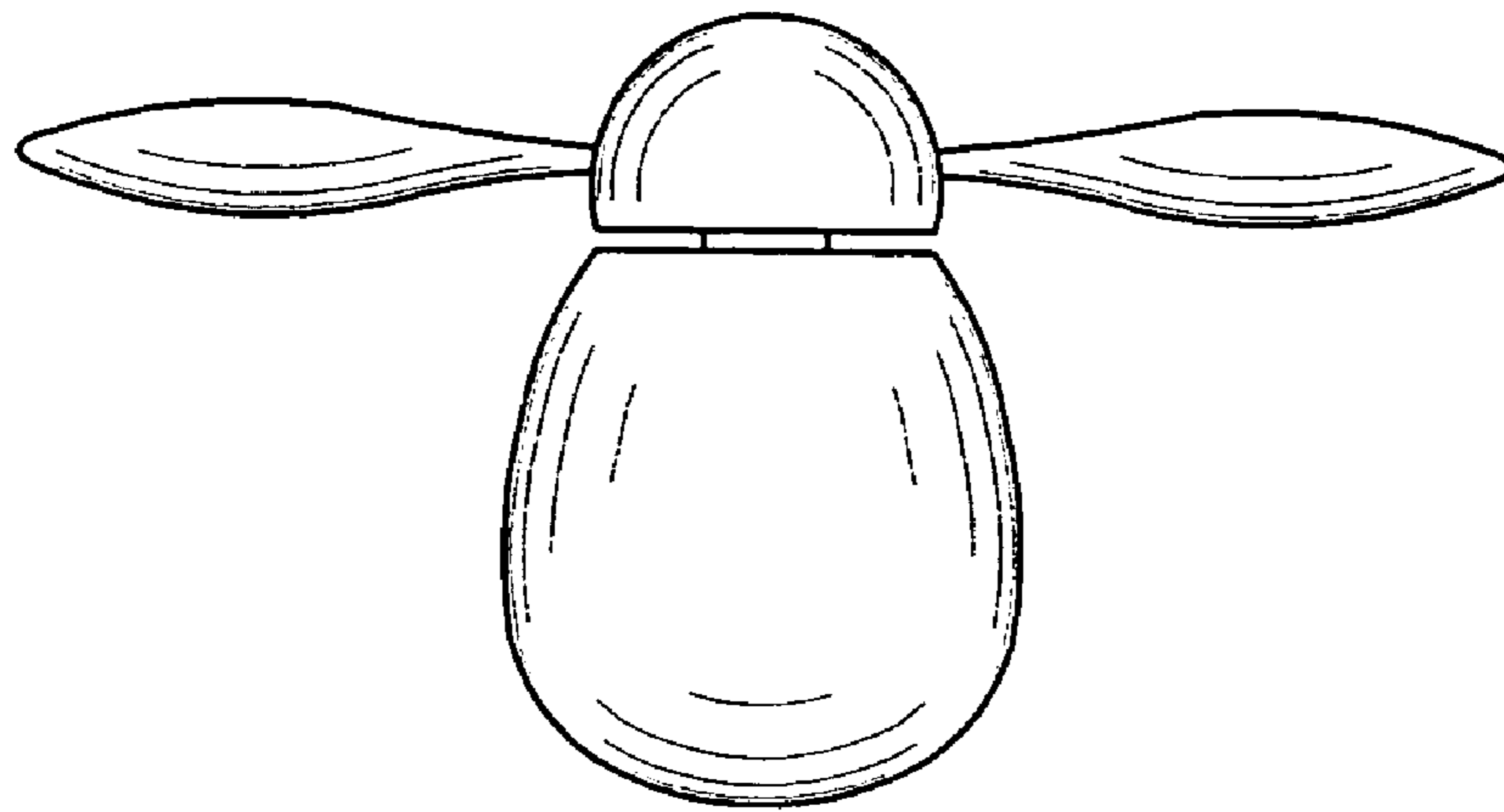


Fig. 5

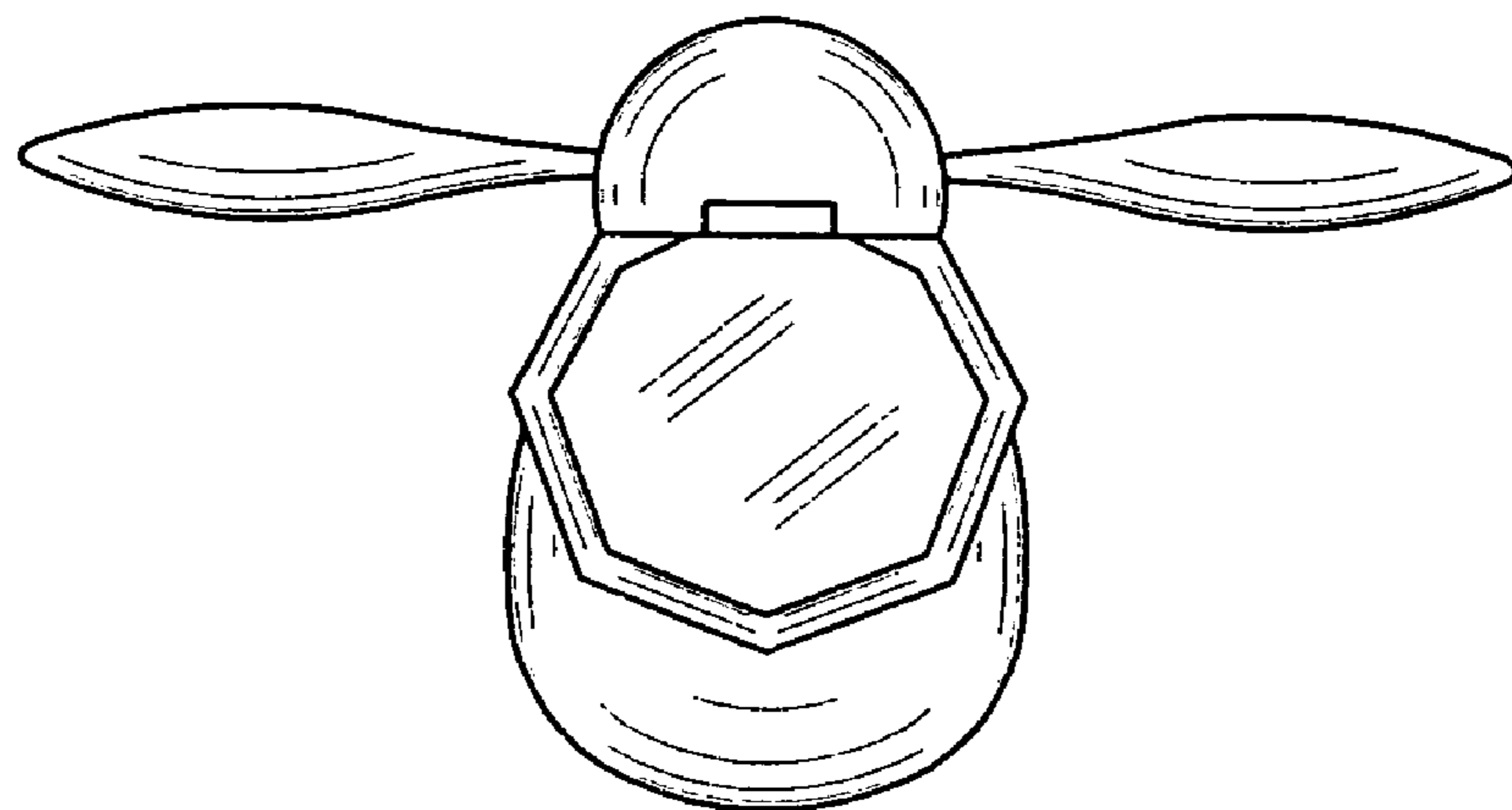


Fig. 6