



US00D560786S

(12) **United States Design Patent**
Yoo et al.

(10) **Patent No.:** **US D560,786 S**
(45) **Date of Patent:** **** Jan. 29, 2008**

(54) **AIR-CONDITIONER COMBINED WITH TV**

(75) Inventors: **Joong Gil Yoo**, Seongnam-Si (KR);
Hee Jae Kwon, Seoul (KR); **Kyu Nam Lee**, Namyangju-Si (KR)

(73) Assignee: **LG Electronics, Inc.**, Seoul (KR)

(**) Term: **14 Years**

(21) Appl. No.: **29/268,184**

(22) Filed: **Nov. 1, 2006**

(30) **Foreign Application Priority Data**

May 2, 2006 (KR) 30-2006-0016411

(51) **LOC (8) Cl.** **23-03**

(52) **U.S. Cl.** **D23/351**

(58) **Field of Classification Search** D23/351-354;
312/236; 62/259.1, 259.4, 262, 263, 304;
454/330, 331, 349, 350; D14/371, 374, 381,
D14/125, 126; 345/104, 156, 168, 173; 348/180,
348/184; 248/917-924; 349/1, 2, 11, 62
See application file for complete search history.

(56) **References Cited**

U.S. PATENT DOCUMENTS

4,733,543 A * 3/1988 Blair 312/236
D321,248 S * 10/1991 Wilgus et al. D23/351
D322,848 S * 12/1991 Wilgus et al. D23/351
D417,724 S * 12/1999 Okamoto et al. D23/351
D448,838 S * 10/2001 Galeazzi et al. D23/354

D469,090 S * 1/2003 Tsuji D14/374
D469,525 S * 1/2003 Giugiaro D23/328
D497,364 S * 10/2004 Ozolins et al. D14/374
D519,117 S * 4/2006 Lewis D14/374

* cited by examiner

Primary Examiner—Brian N. Vinson

(74) *Attorney, Agent, or Firm*—Birch, Stewart, Kolasch & Birch, LLP

(57) **CLAIM**

The ornamental design for an air-conditioner combined with TV, as shown and described.

DESCRIPTION

FIG. 1 is a front, right perspective view of the air-conditioner combined with TV showing our new design;

FIG. 2 is a front view thereof;

FIG. 3 is a rear view thereof;

FIG. 4 is a left side view thereof;

FIG. 5 is a right side view thereof;

FIG. 6 is a top plan view thereof;

FIG. 7 is a bottom view thereof;

FIG. 8 is a reference view thereof;

FIG. 9 is a reference view thereof;

FIG. 10 is a reference view thereof; and,

FIG. 11 is a reference view thereof.

1 Claim, 8 Drawing Sheets

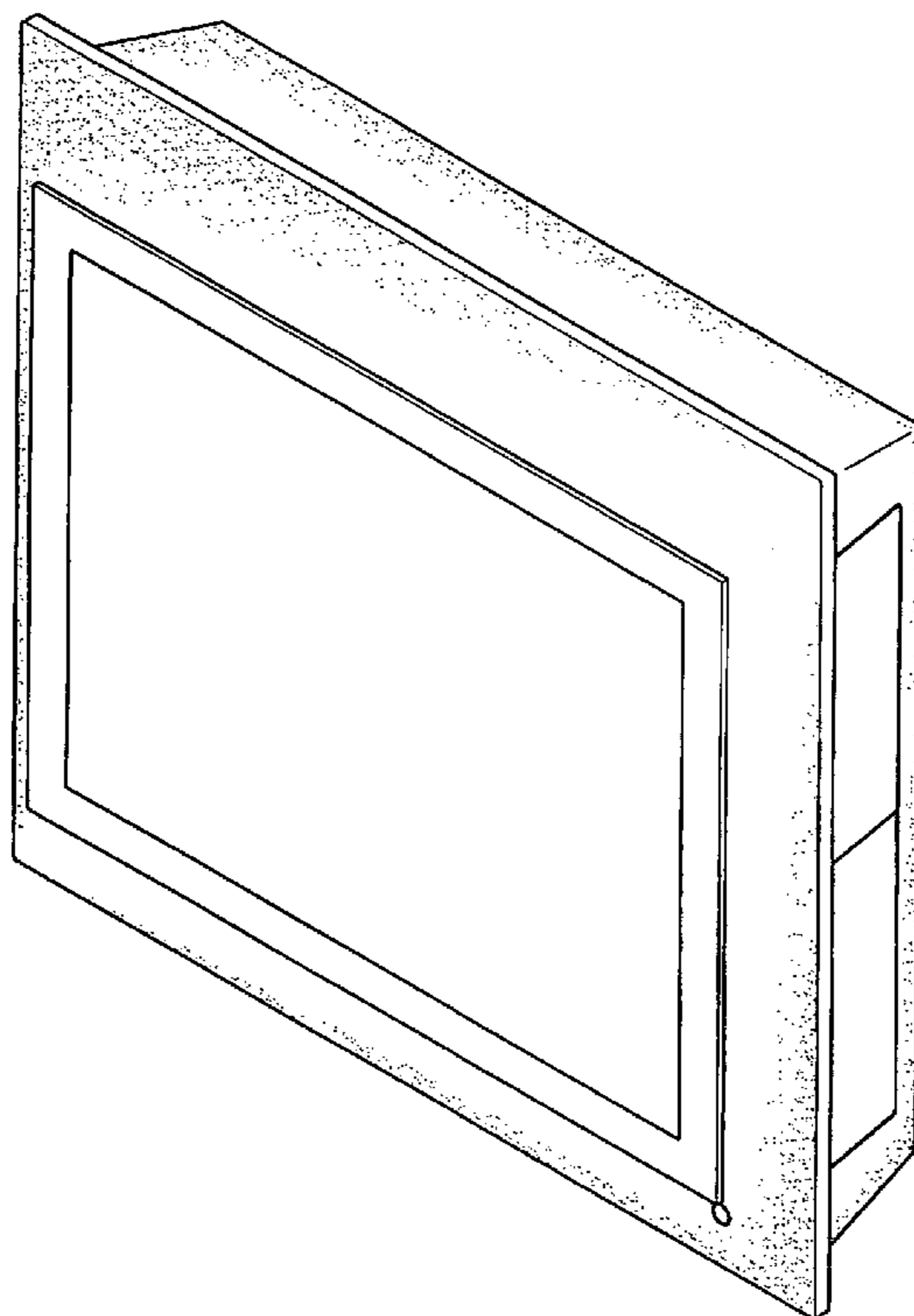


Figure 1

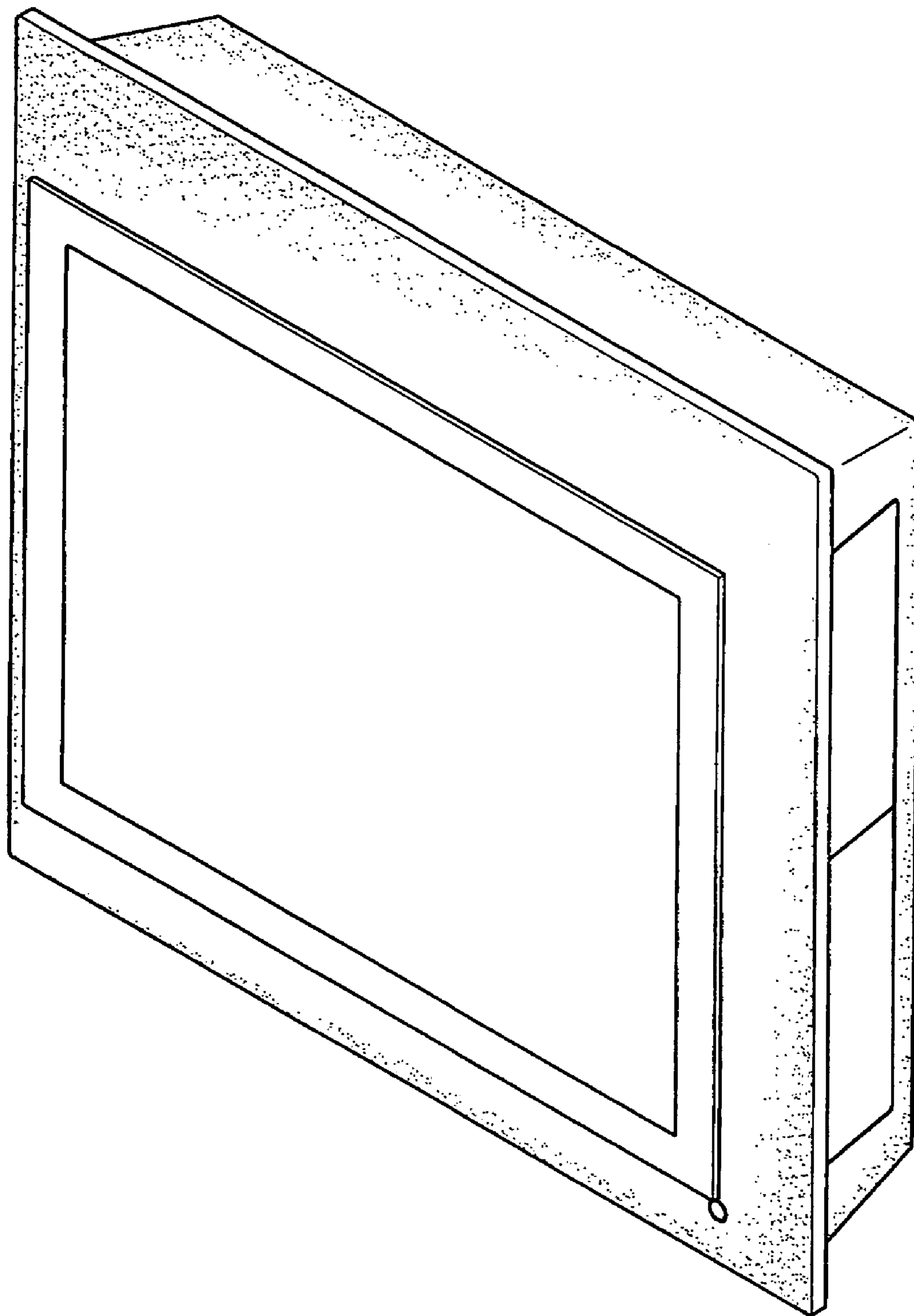


Figure 2

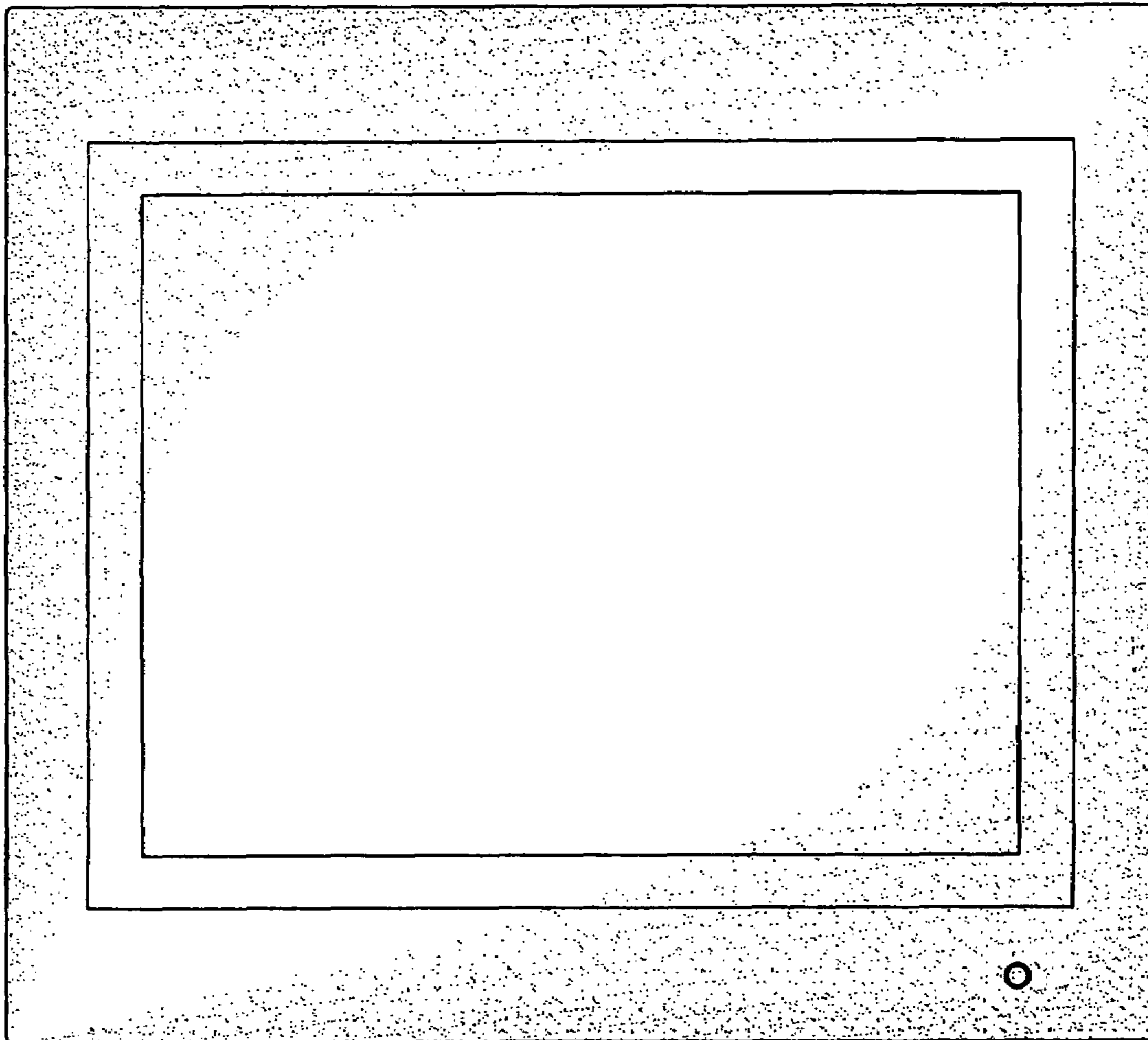


Figure 3

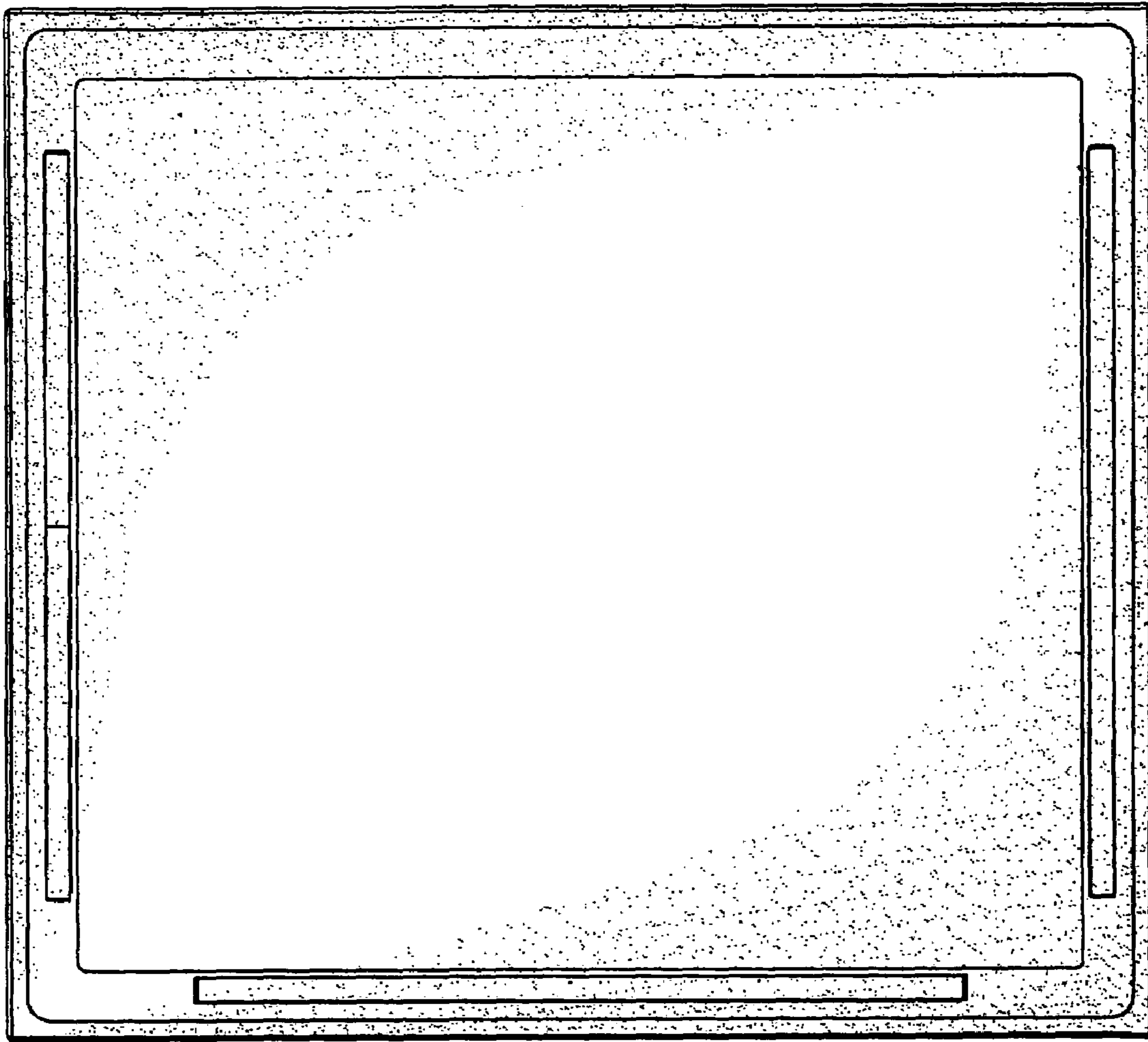


Figure 4

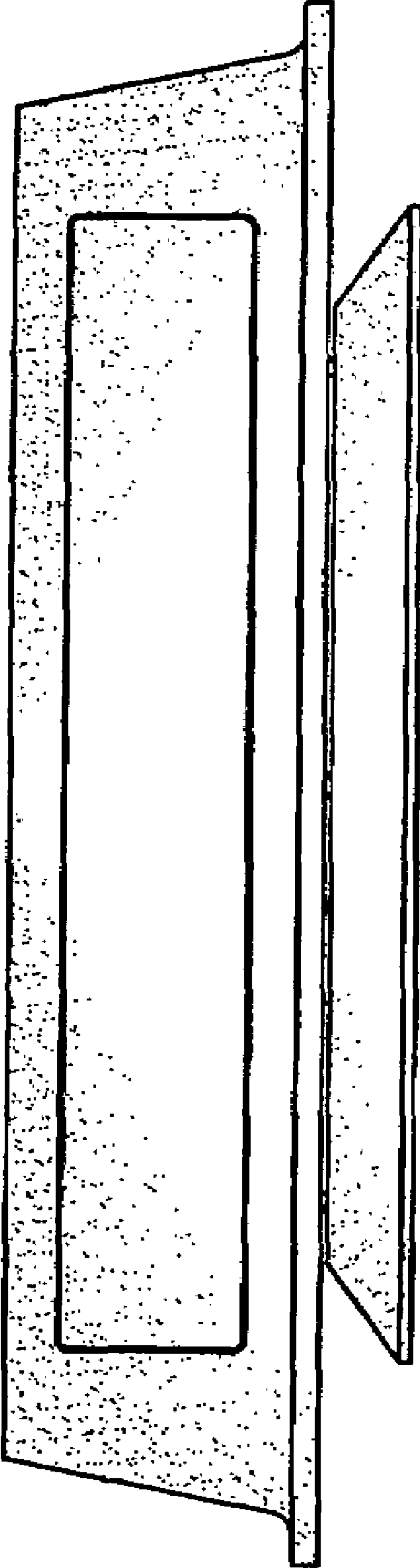


Figure 5

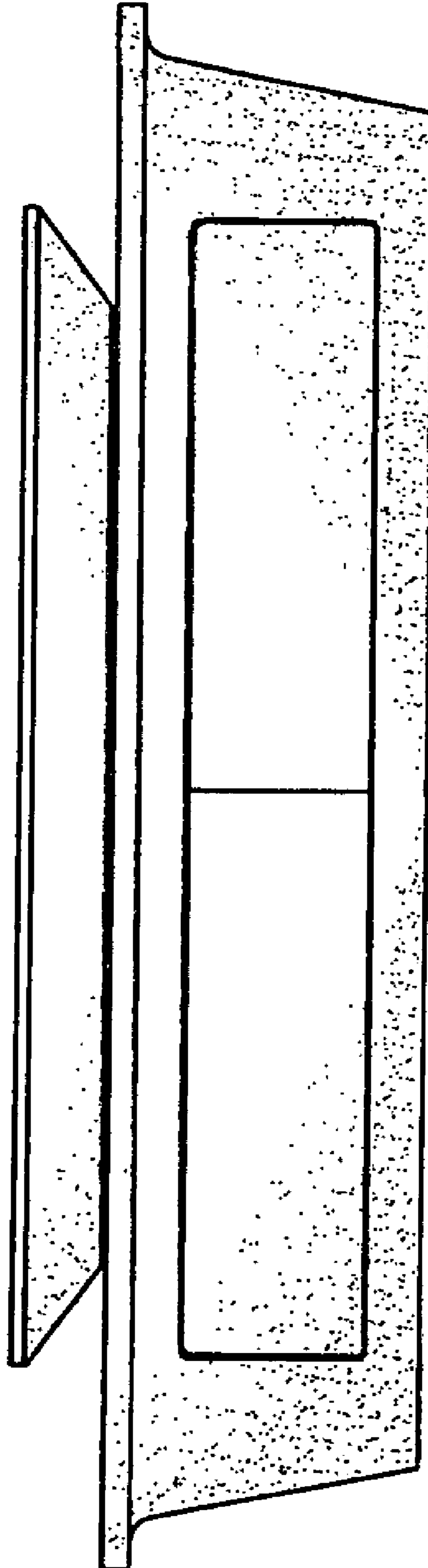


Figure 6

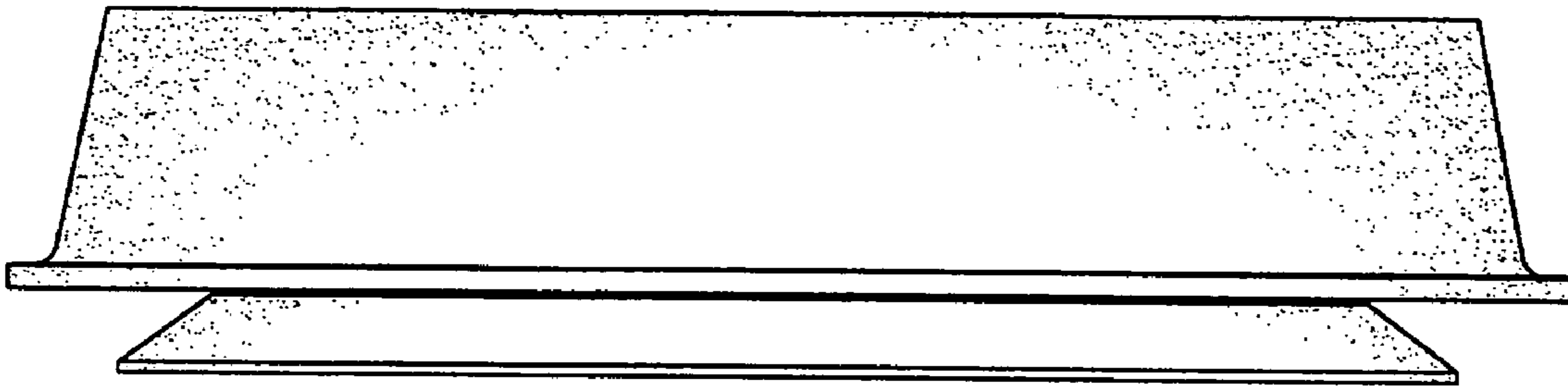


Figure 7

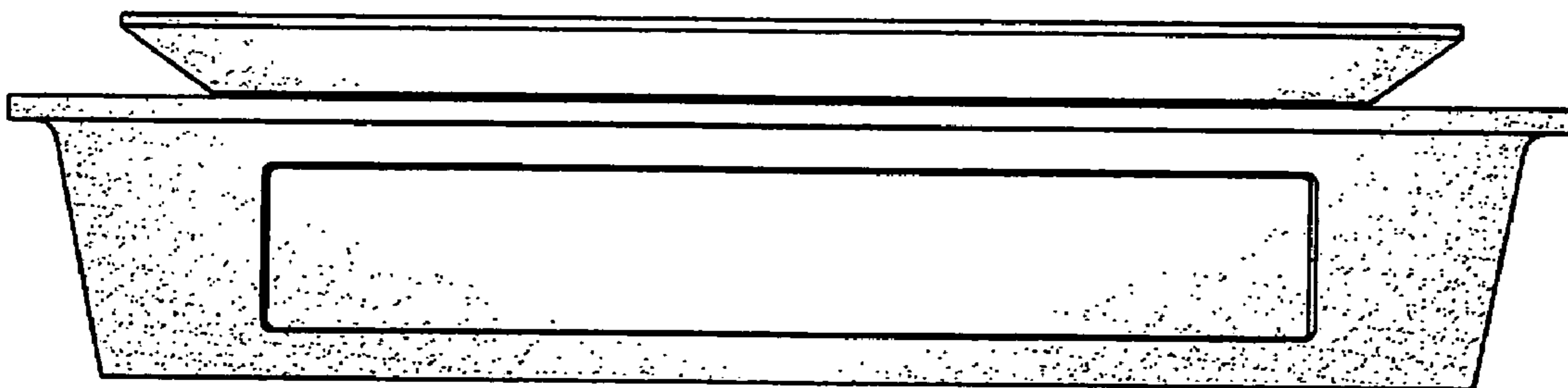


Figure 8

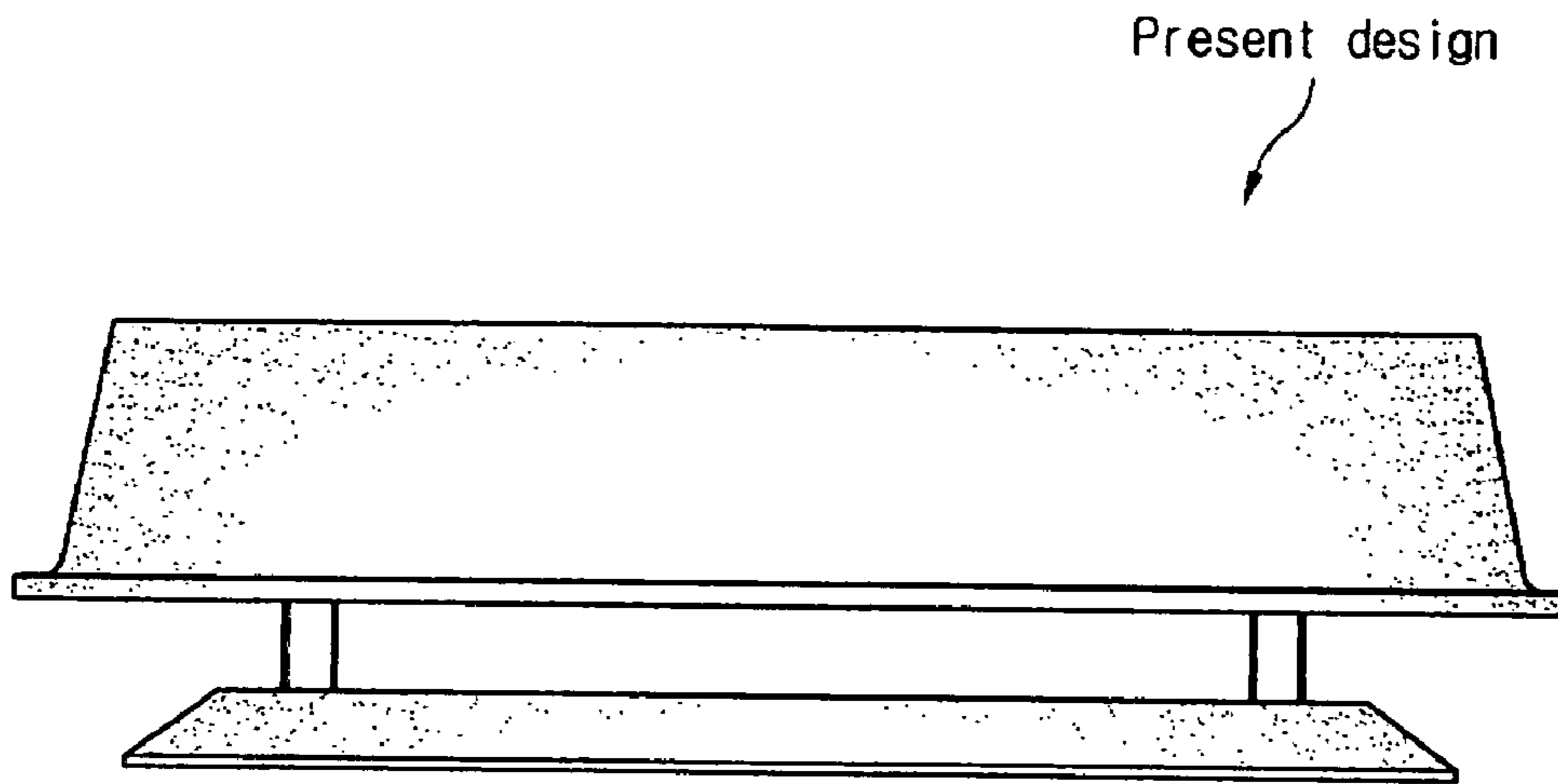


Figure 9

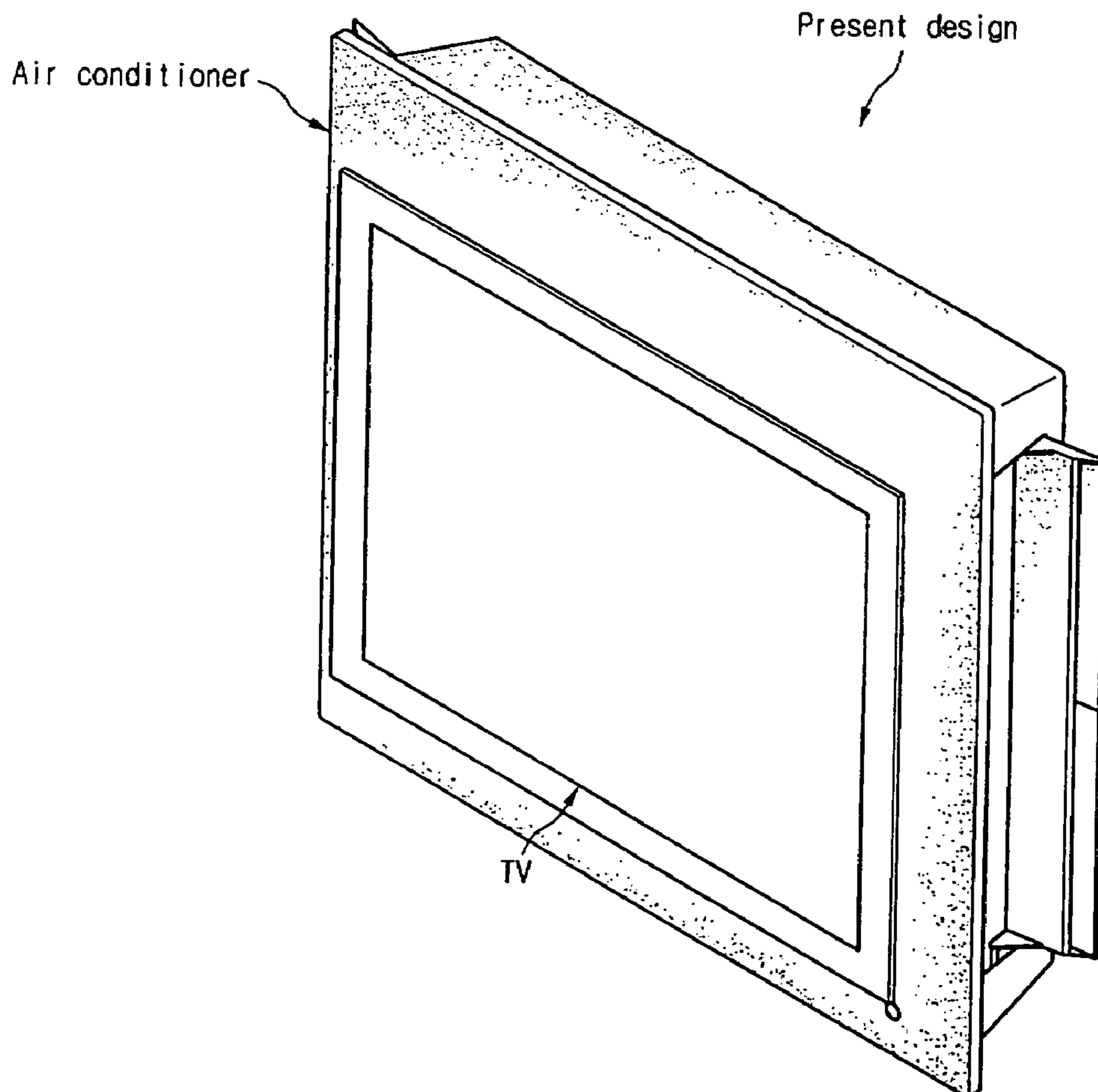


Figure 10

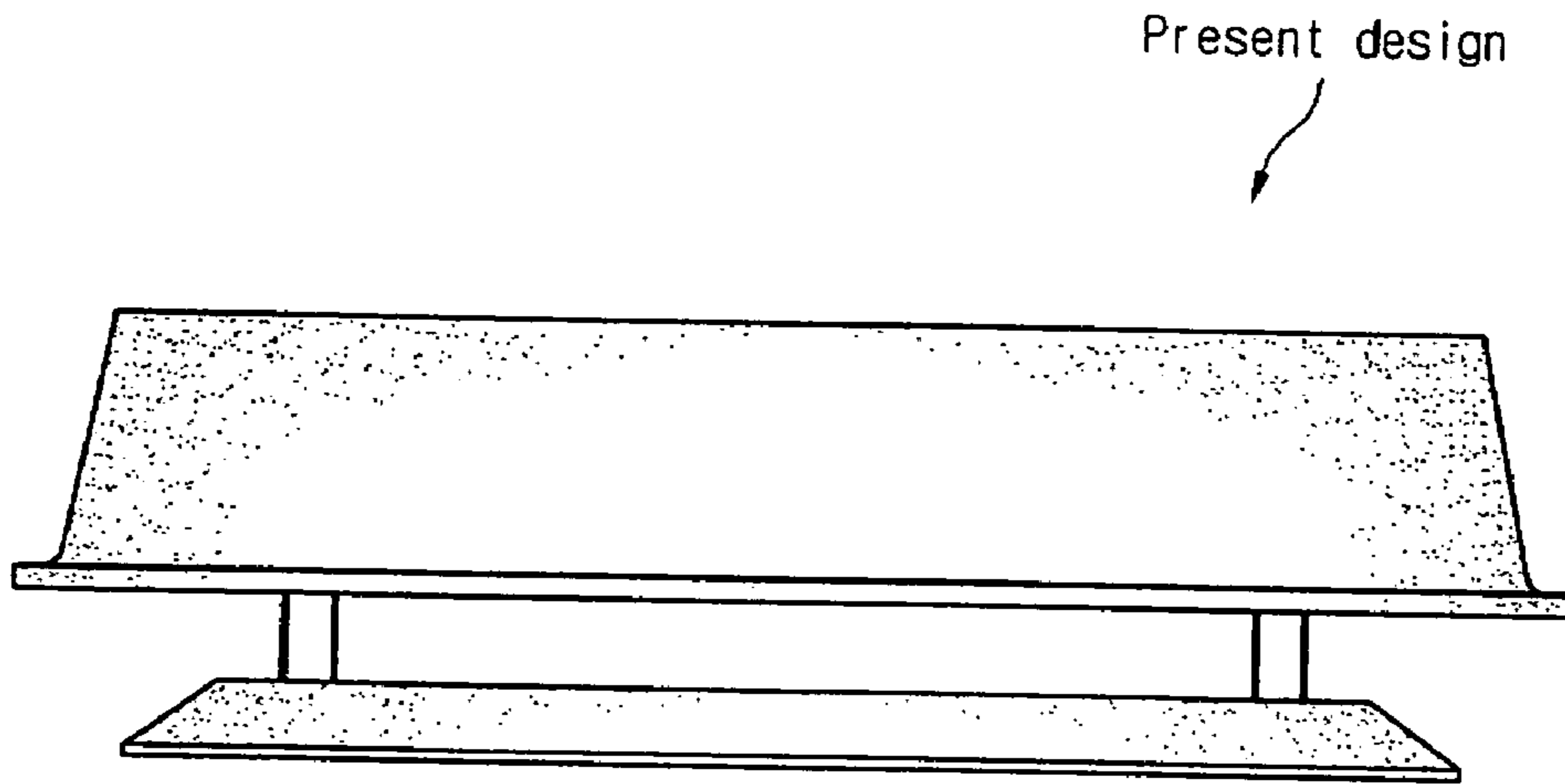


Figure 11

