



US00D560785S

(12) **United States Design Patent**
Galeazzi

(10) **Patent No.:** **US D560,785 S**
(45) **Date of Patent:** **** *Jan. 29, 2008**

(54) **COVER FOR A VEHICLE ROOFTOP AIR-CONDITIONING DEVICE**

(75) Inventor: **Giuliano Galeazzi**, Varese (IT)

(73) Assignee: **Carrier Corporation**, Farmington, CT (US)

(*) Notice: This patent is subject to a terminal disclaimer.

(**) Term: **14 Years**

(21) Appl. No.: **29/225,524**

(22) Filed: **Mar. 17, 2005**

(30) **Foreign Application Priority Data**

Sep. 21, 2004 (EM) 000233275

(51) **LOC (8) Cl.** **23-04**

(52) **U.S. Cl.** **D23/325**

(58) **Field of Classification Search** D23/324-325;
454/136, 151, 143-146; 62/244, DIG. 16
See application file for complete search history.

(56) **References Cited**

U.S. PATENT DOCUMENTS

D284,025 S * 5/1986 Armstrong D23/325

(Continued)

Primary Examiner—Brian N Vinson

(74) *Attorney, Agent, or Firm*—Hanley, Flight & Zimmerman, LLC

(57) **CLAIM**

The ornamental design for a cover for a vehicle rooftop air-conditioning device, as shown and described.

DESCRIPTION

FIG. 1 is a top, front, and right side perspective view of a first embodiment of a cover for a vehicle rooftop air-conditioning device showing my new design;

FIG. 2 is a top, rear, and right side perspective view thereof;

FIG. 3 is a front elevational view thereof;

FIG. 4 is a top plan view thereof;

FIG. 5 is a left side elevational view thereof;

FIG. 6 is a right side elevational view thereof;

FIG. 7 is a rear elevational view thereof;

FIG. 8 is a top, front, and right side perspective view of a second embodiment of a cover for a vehicle rooftop air-conditioning device showing my new design;

FIG. 9 is a top, rear, and right side perspective view thereof;

FIG. 10 is a front elevational view thereof;

FIG. 11 is a top plan view thereof;

FIG. 12 is a left side elevational view thereof;

FIG. 13 is a right side elevational view thereof;

FIG. 14 is a rear elevational view thereof;

FIG. 15 is a top, front, and right side perspective view of a third embodiment of a cover for a vehicle rooftop air-conditioning device showing my new design;

FIG. 16 is a top, rear, and right side perspective view thereof;

FIG. 17 is a front elevational view thereof;

FIG. 18 is a top plan view thereof;

FIG. 19 is a left side elevational view thereof;

FIG. 20 is a right side elevational view thereof;

FIG. 21 is a rear elevational view thereof;

FIG. 22 is a top, front, and right side perspective view of a fourth embodiment of a cover for a vehicle rooftop air-conditioning device showing my new design;

FIG. 23 is a front elevational view thereof;

FIG. 24 is a top plan view thereof;

FIG. 25 is a left side elevational view thereof;

FIG. 26 is a right side elevational view thereof;

FIG. 27 is a rear elevational view thereof;

FIG. 28 is a top, front, and right side perspective view of a fifth embodiment of a cover for a vehicle rooftop air-conditioning device showing my new design;

FIG. 29 is a front elevational view thereof;

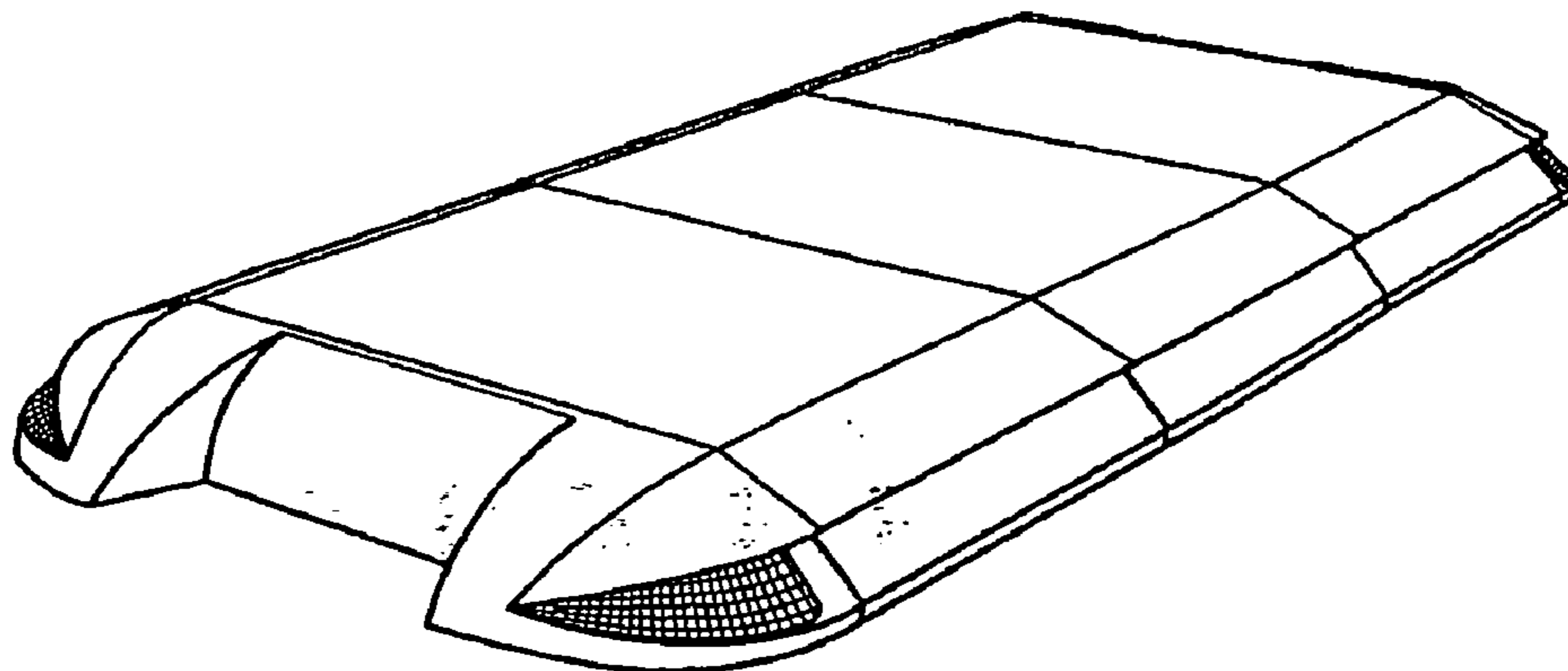
FIG. 30 is a top plan view thereof;

FIG. 31 is a left side elevational view thereof;

FIG. 32 is a right side elevational view thereof; and,

FIG. 33 is a rear elevational view thereof.

1 Claim, 23 Drawing Sheets



US D560,785 S

Page 2

U.S. PATENT DOCUMENTS

D306,341 S	*	2/1990	Bales et al.	D23/325	
D367,524 S	*	2/1996	Waldschmidt et al.	D23/325	
					* cited by examiner
D435,639 S	*	12/2000	Slavonia et al.	D23/325	
D495,041 S	*	8/2004	Thomas	D23/325	

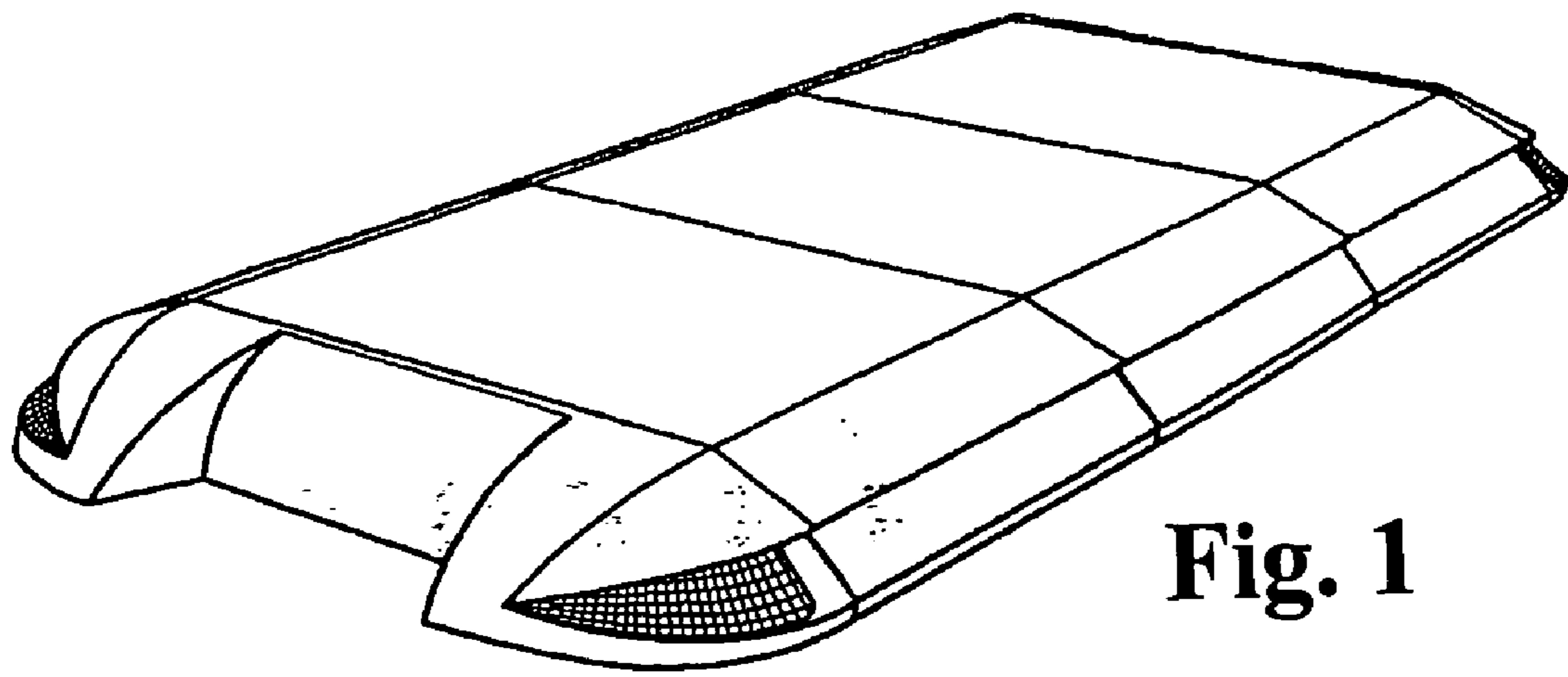


Fig. 1

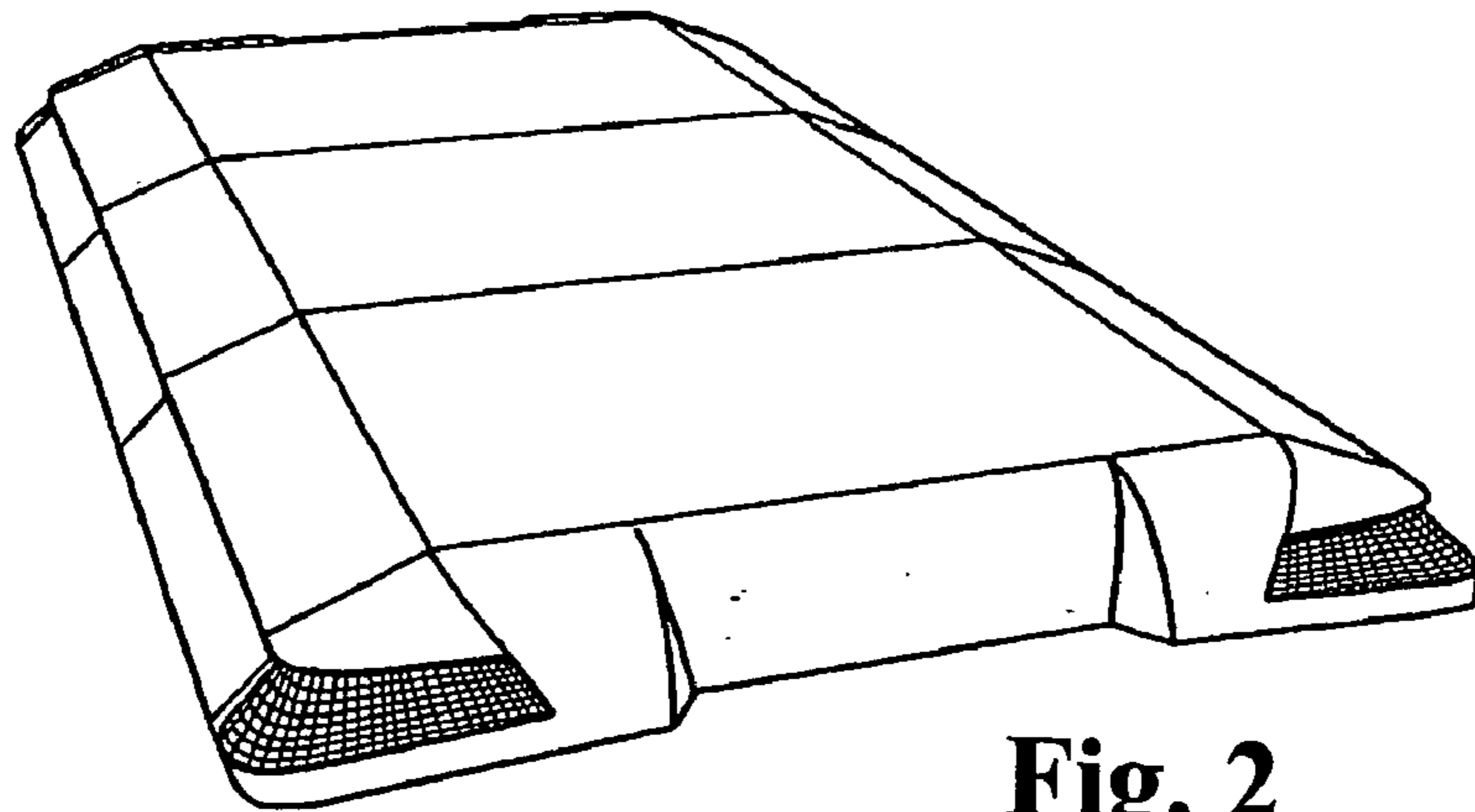


Fig. 2

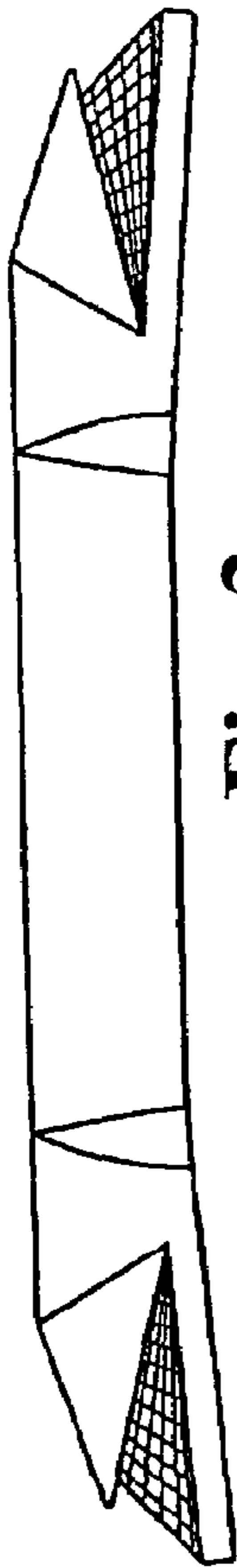


Fig. 3

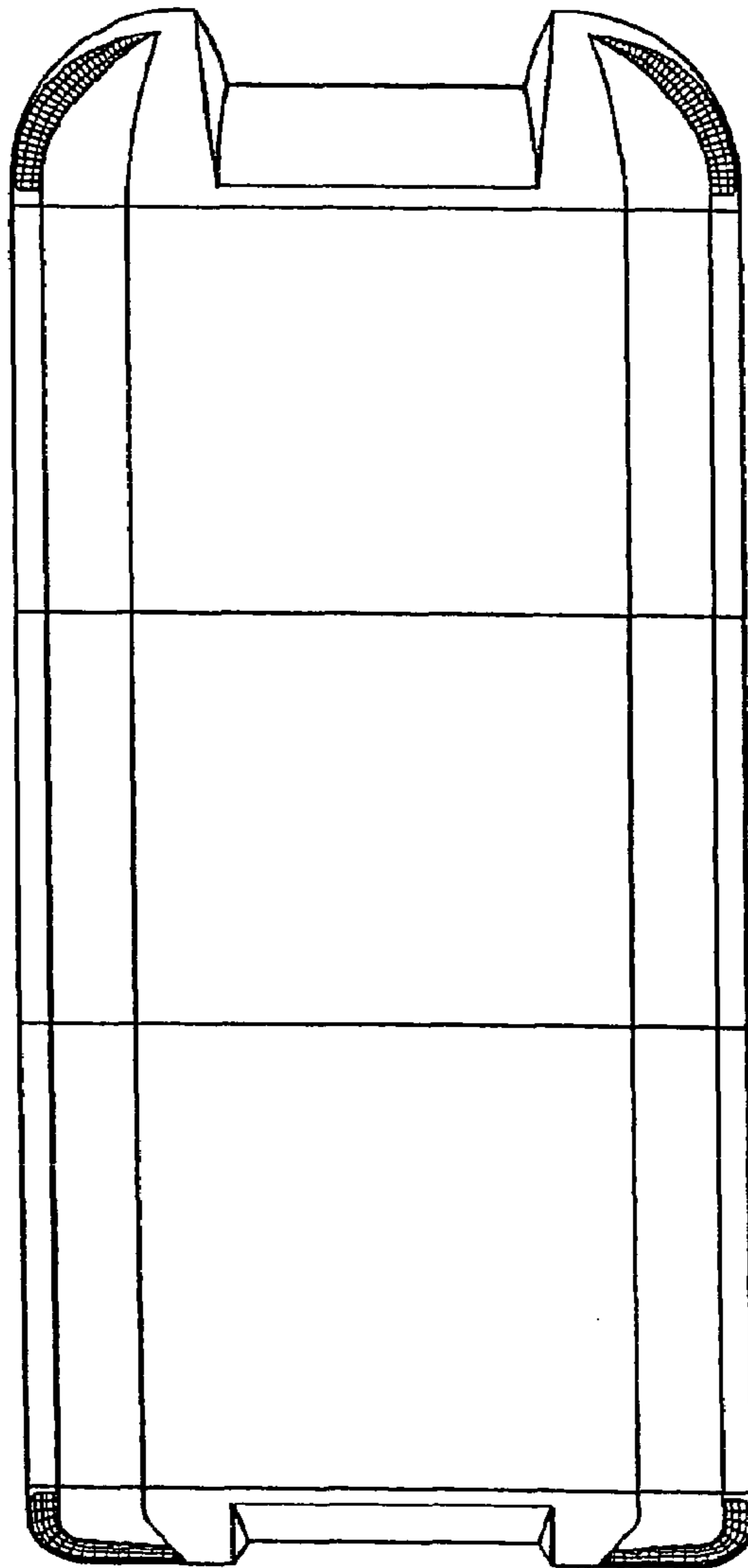


Fig. 4



Fig. 5



Fig. 6

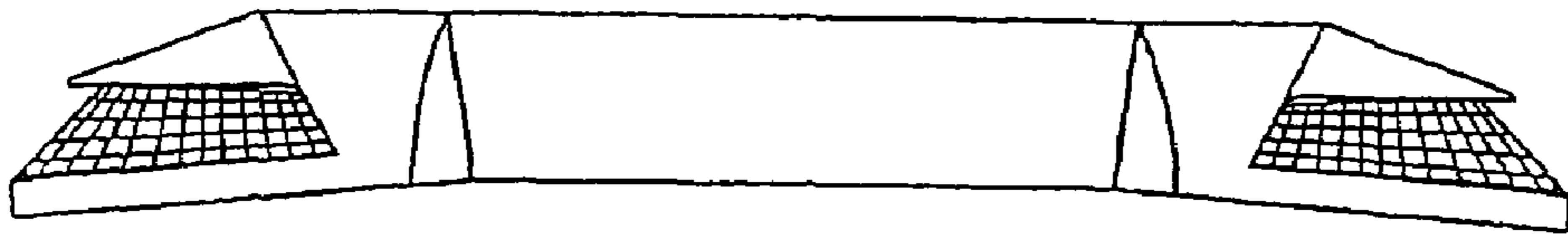


Fig. 7

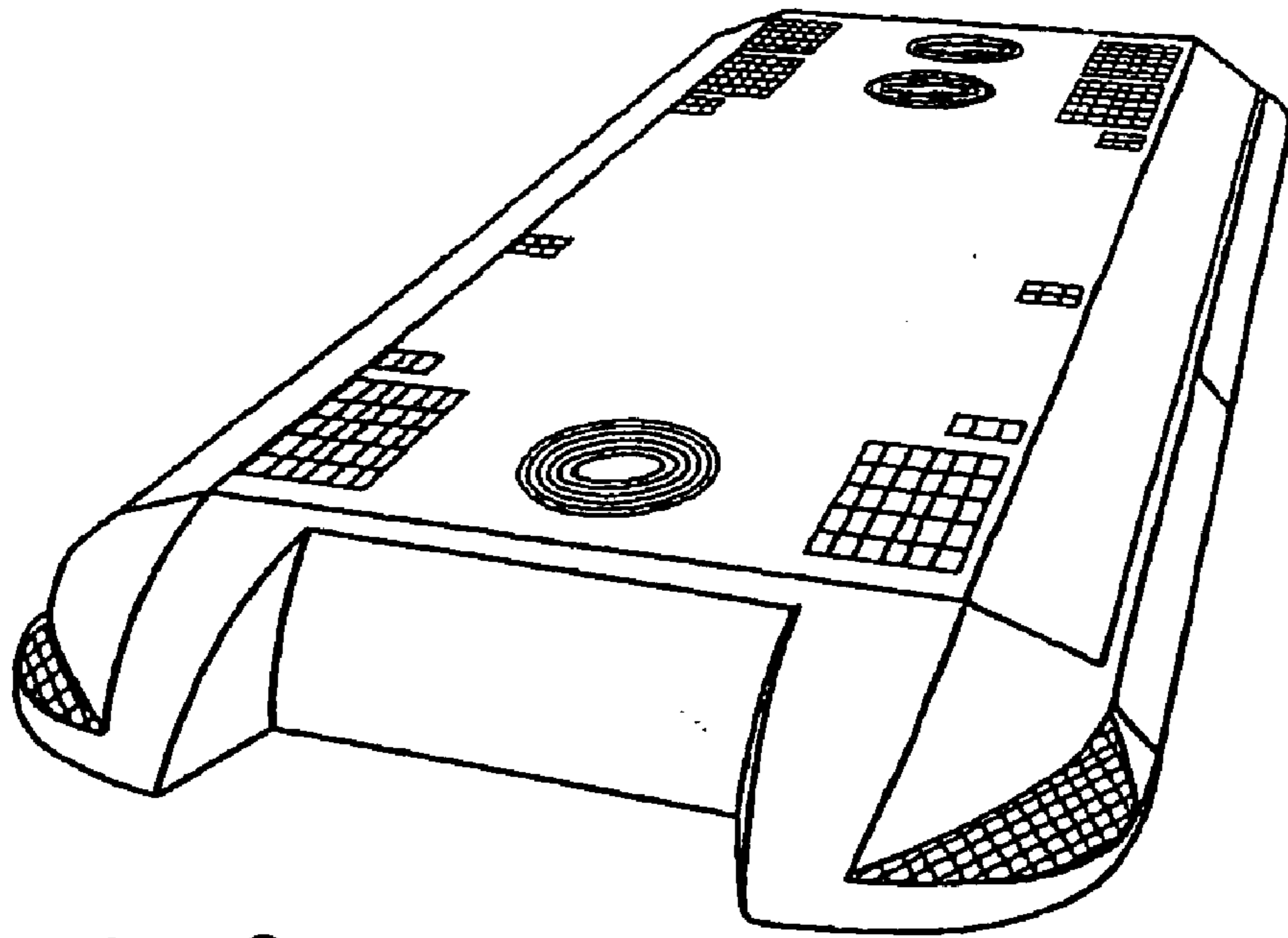


Fig. 8

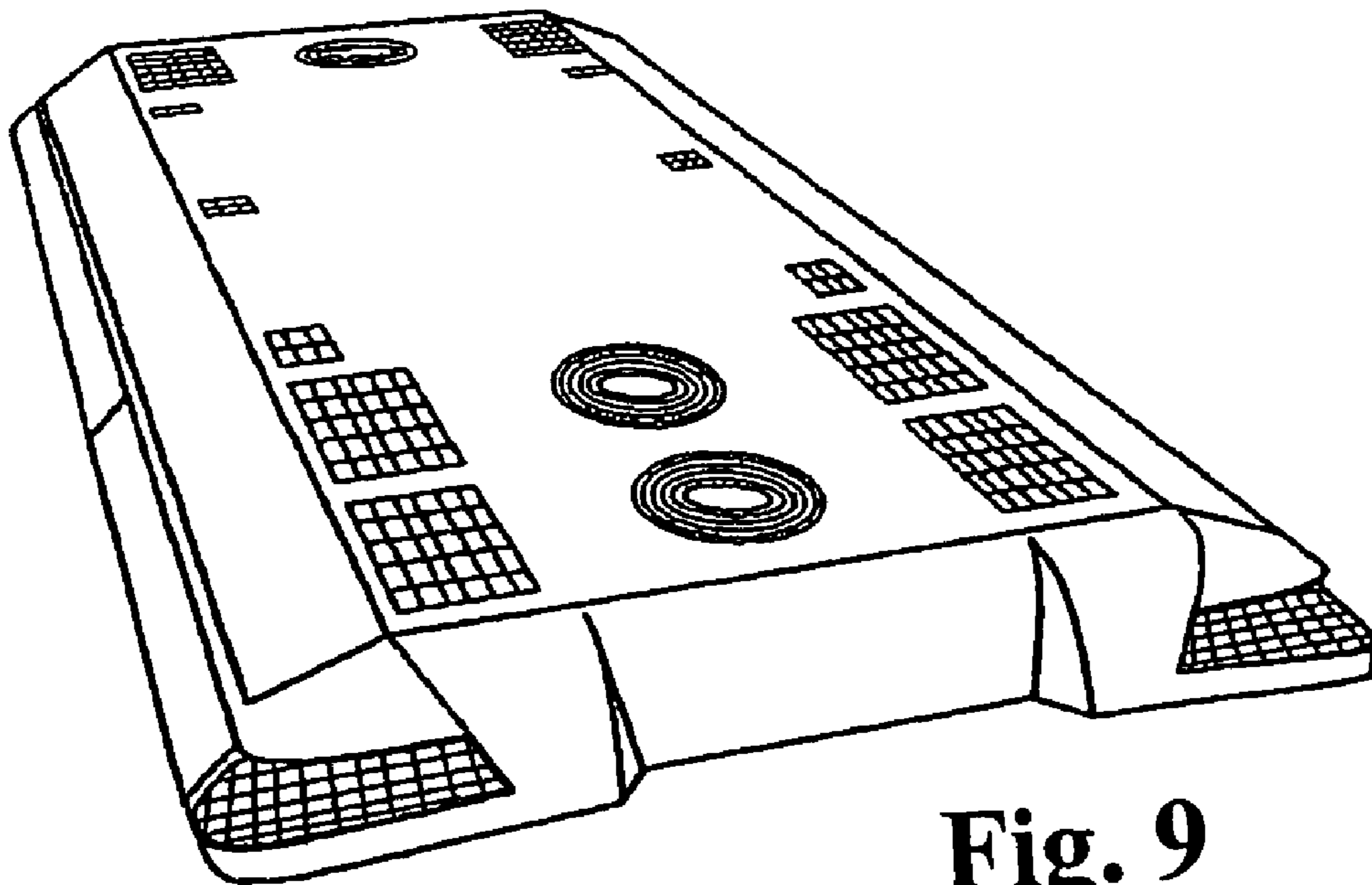


Fig. 9

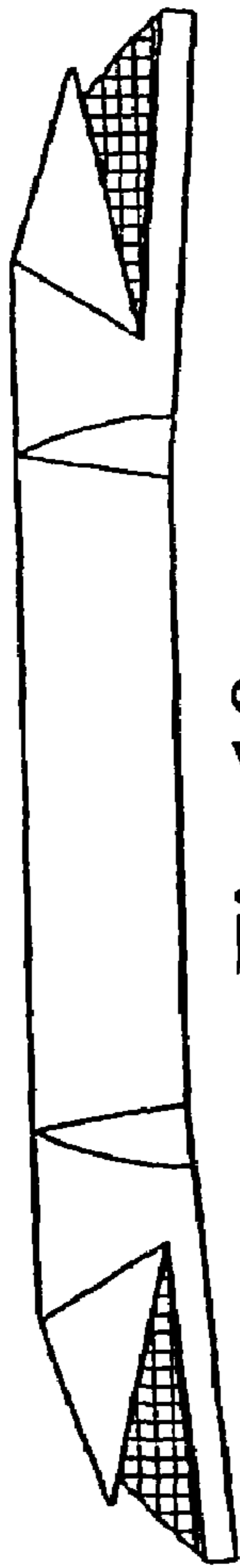


Fig. 10

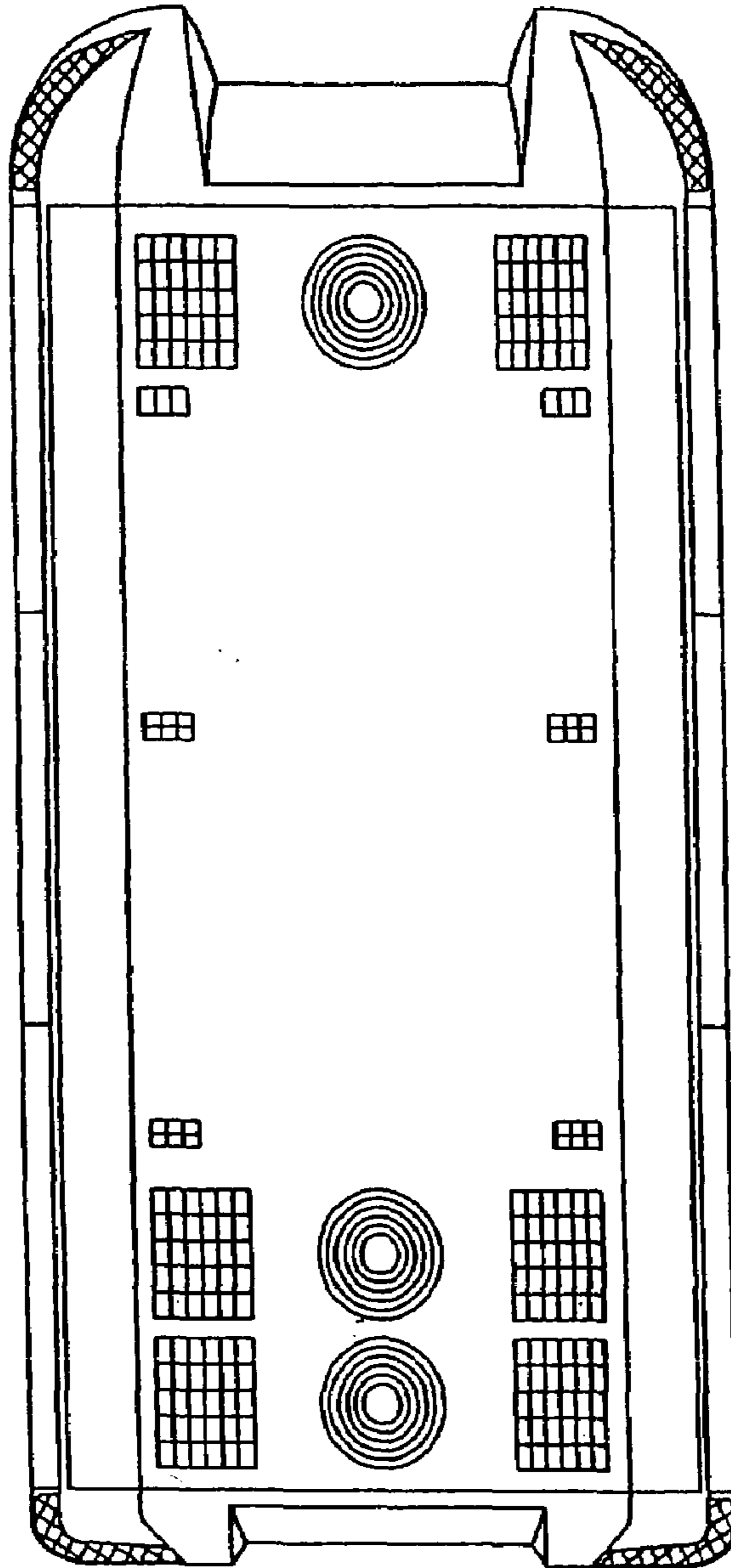


Fig. 11

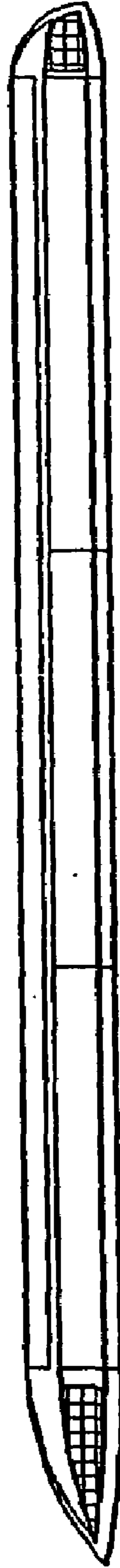


Fig. 12



Fig. 13

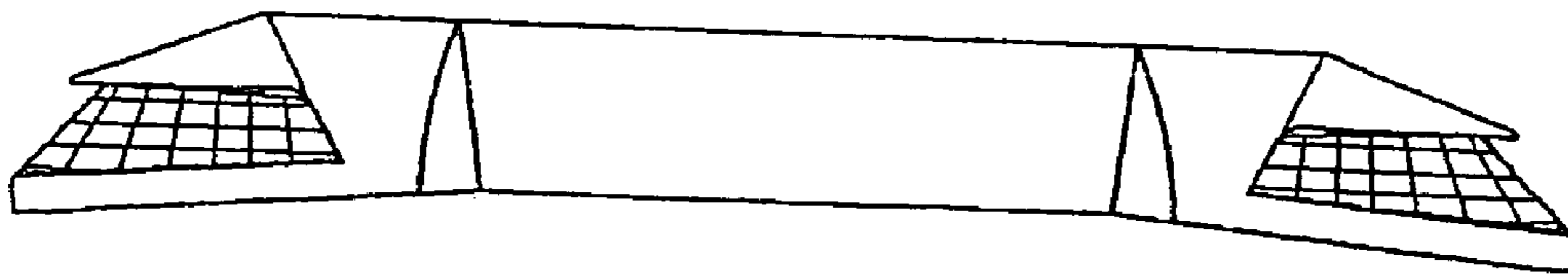


Fig. 14

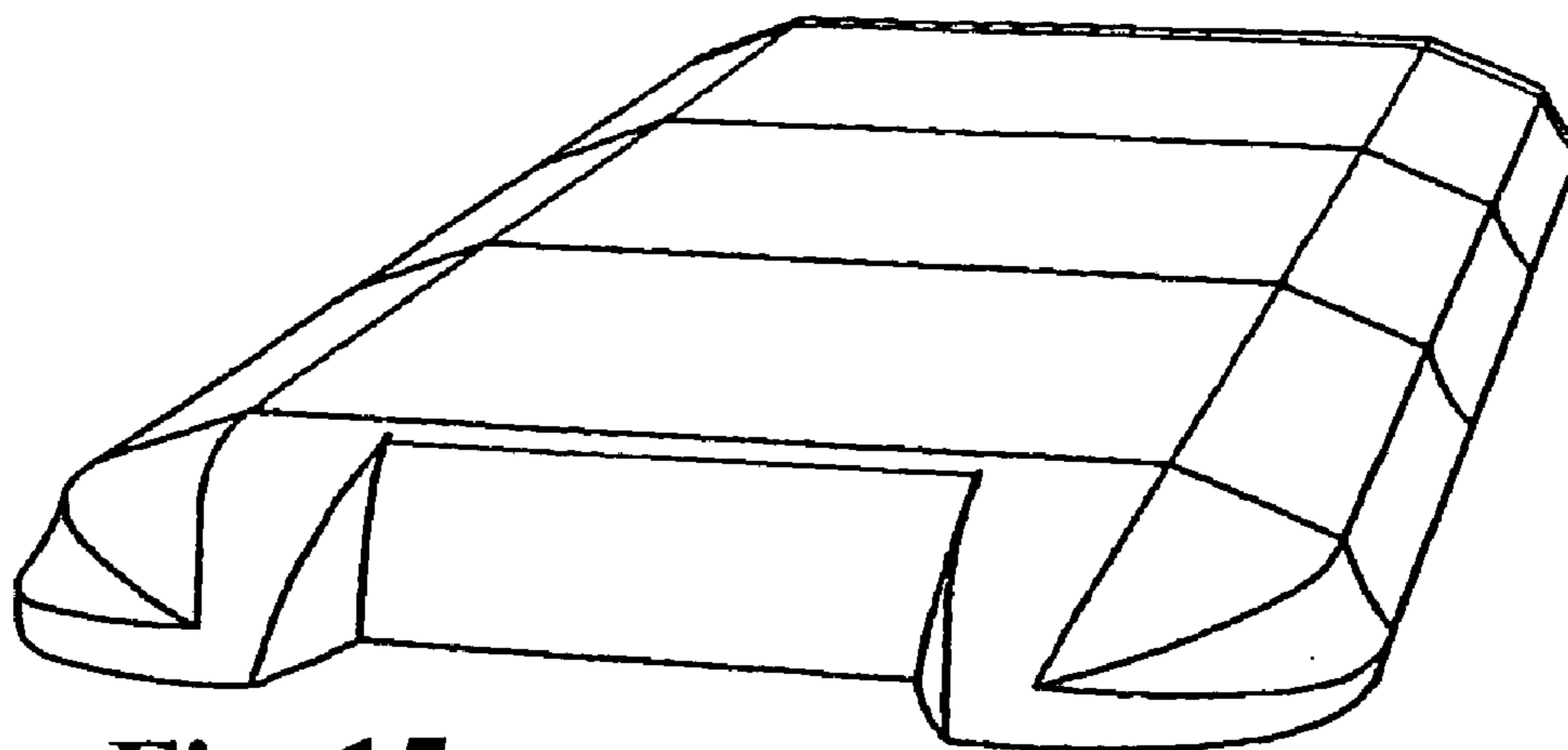


Fig. 15

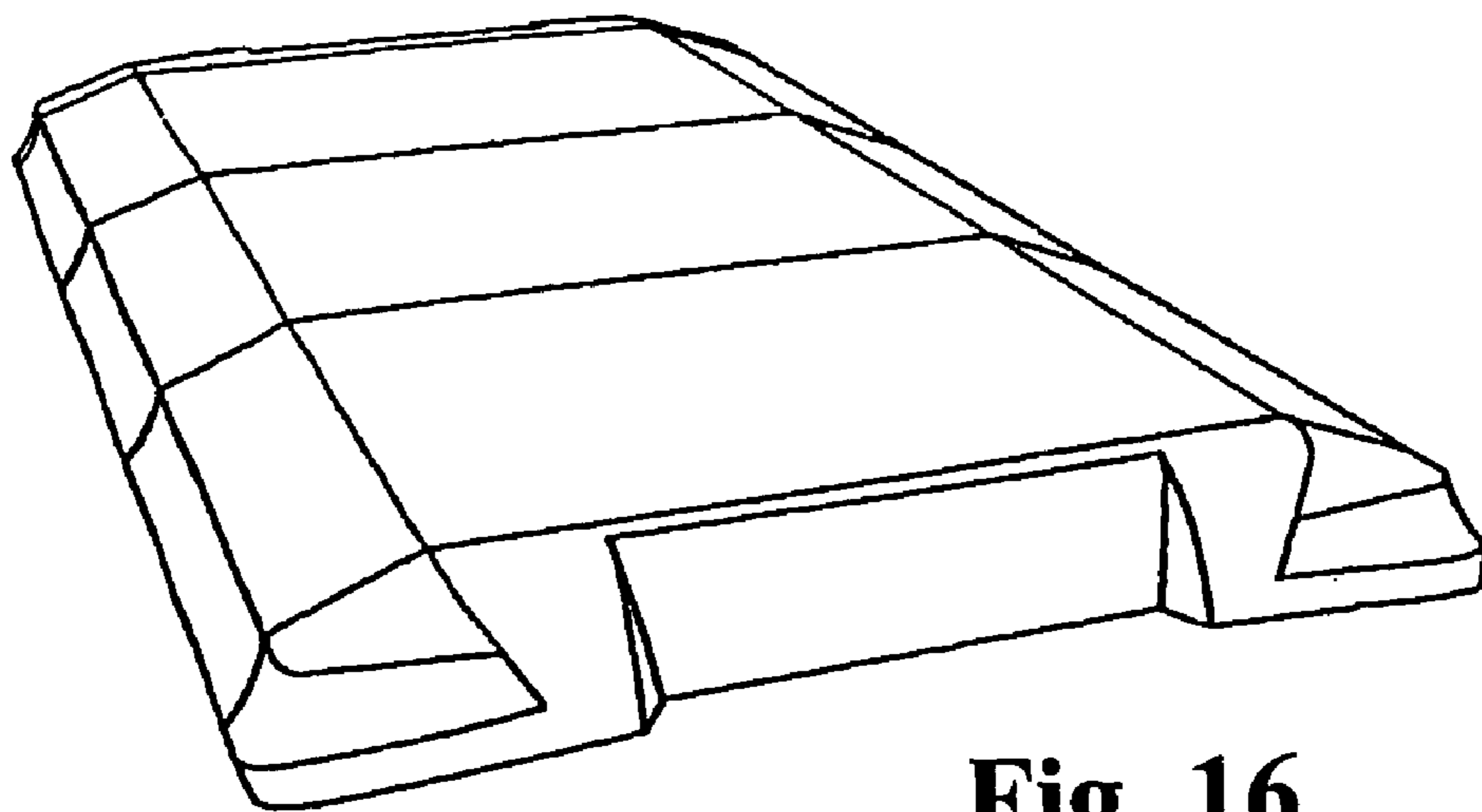


Fig. 16

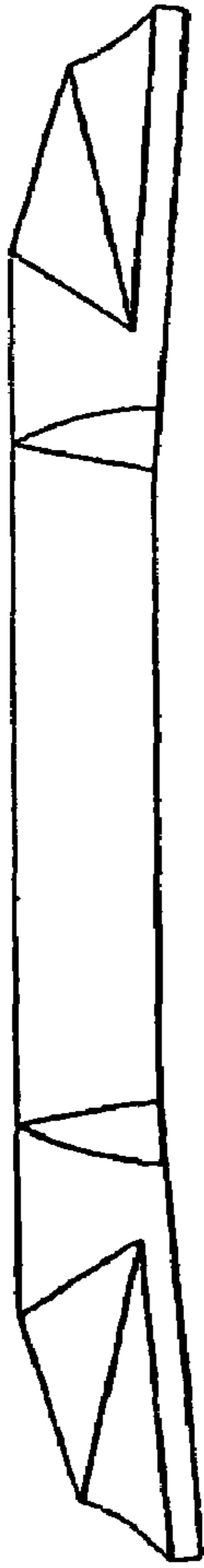


Fig. 17

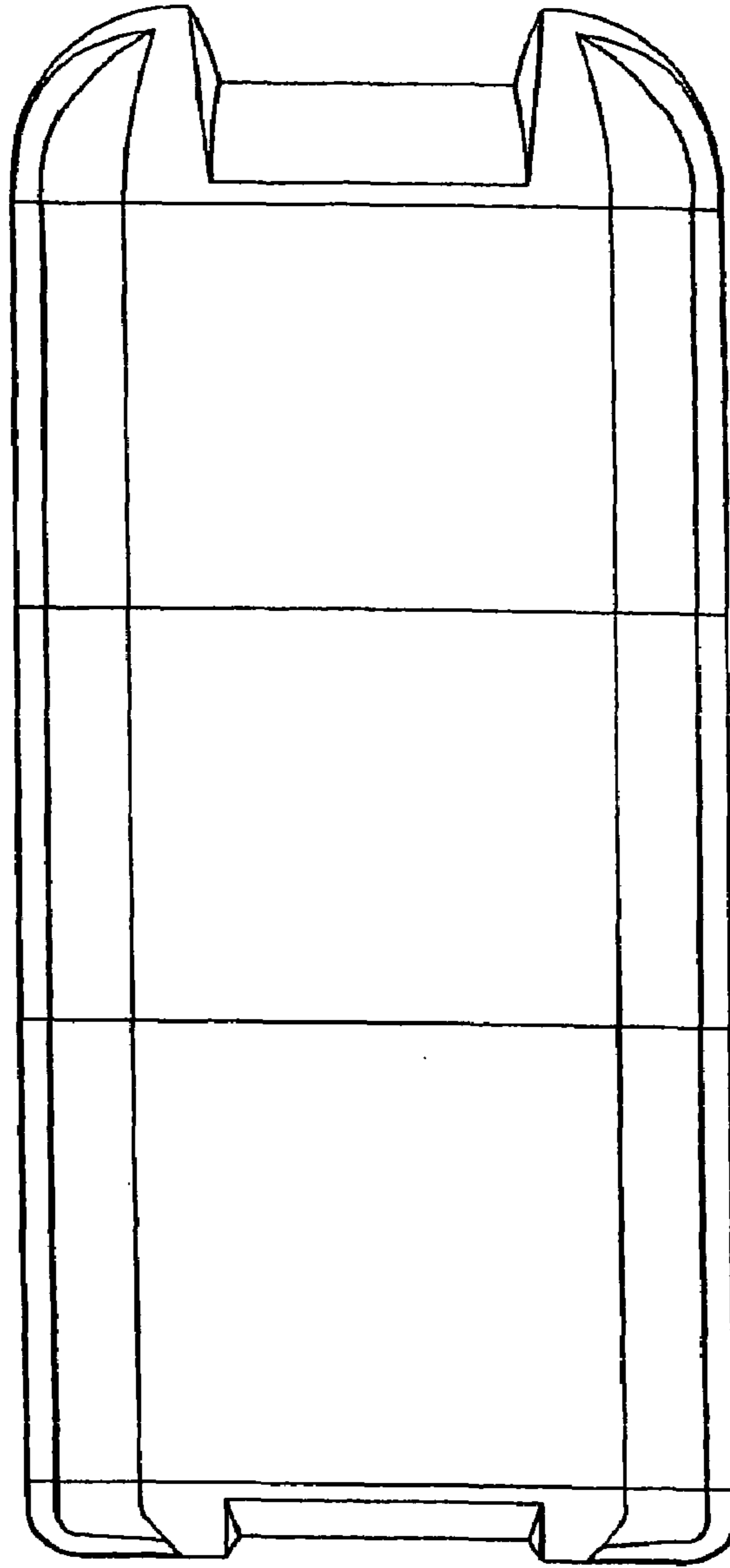


Fig. 18

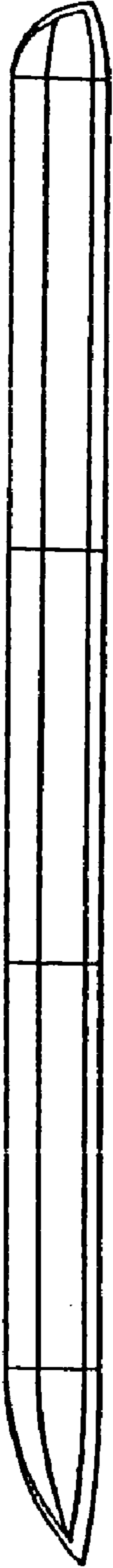


Fig. 19



Fig. 20

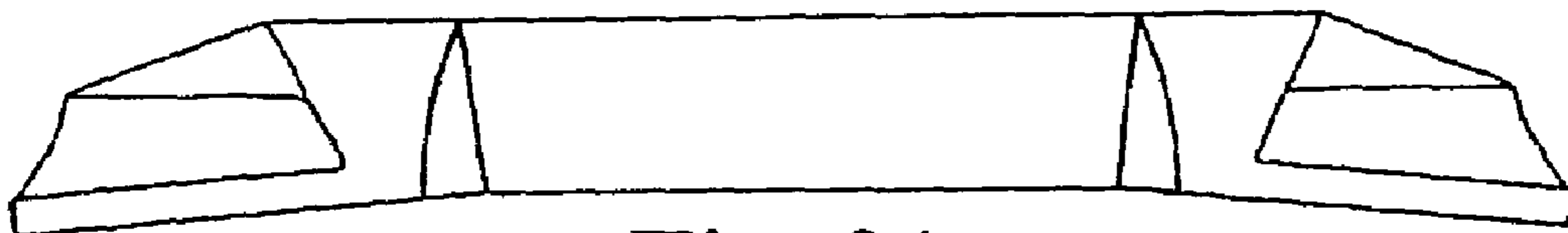


Fig. 21

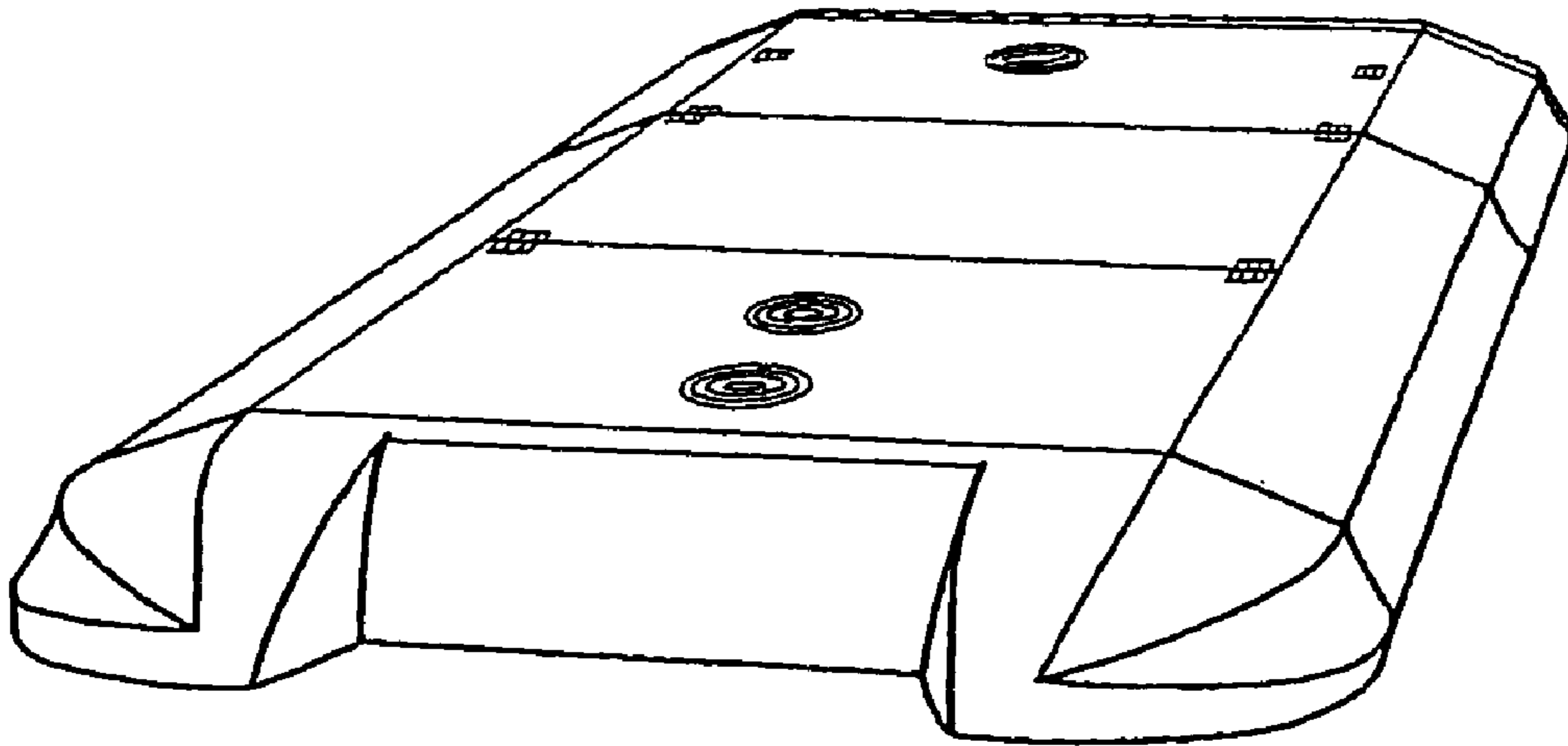


Fig. 22

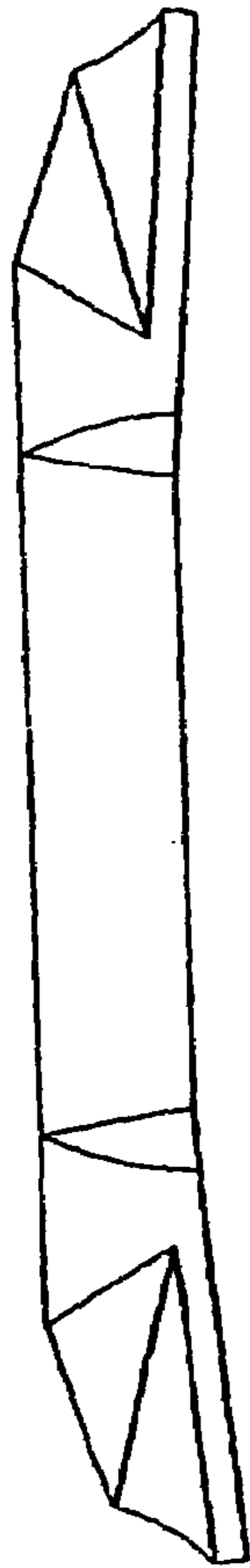


Fig. 23

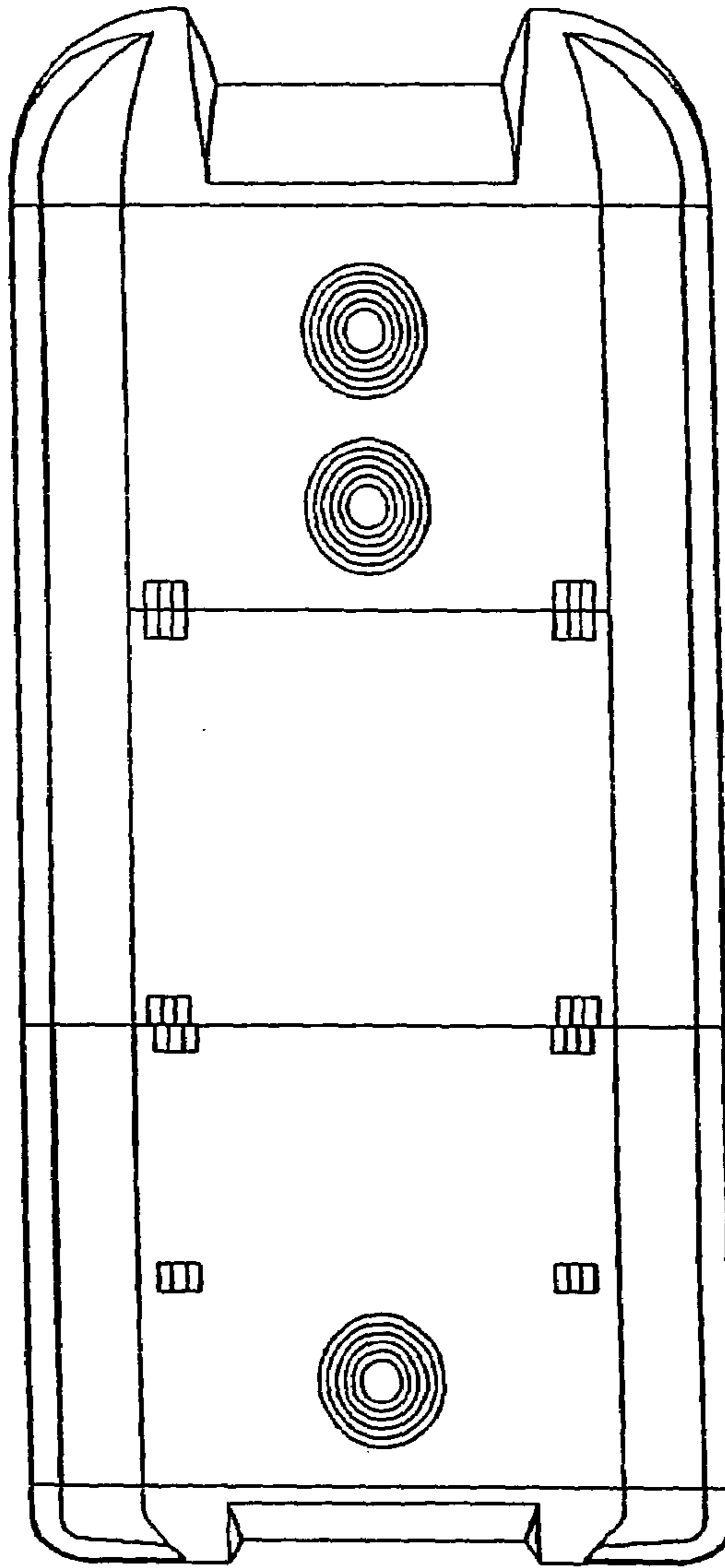


Fig. 24



Fig. 25



Fig. 26

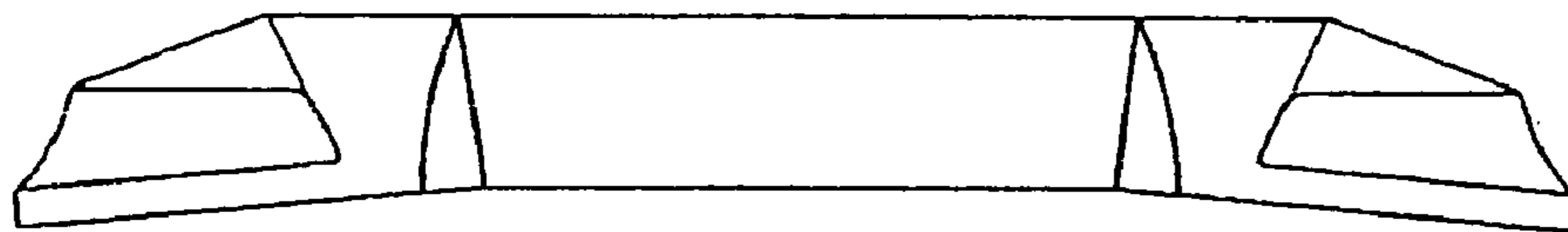


Fig. 27

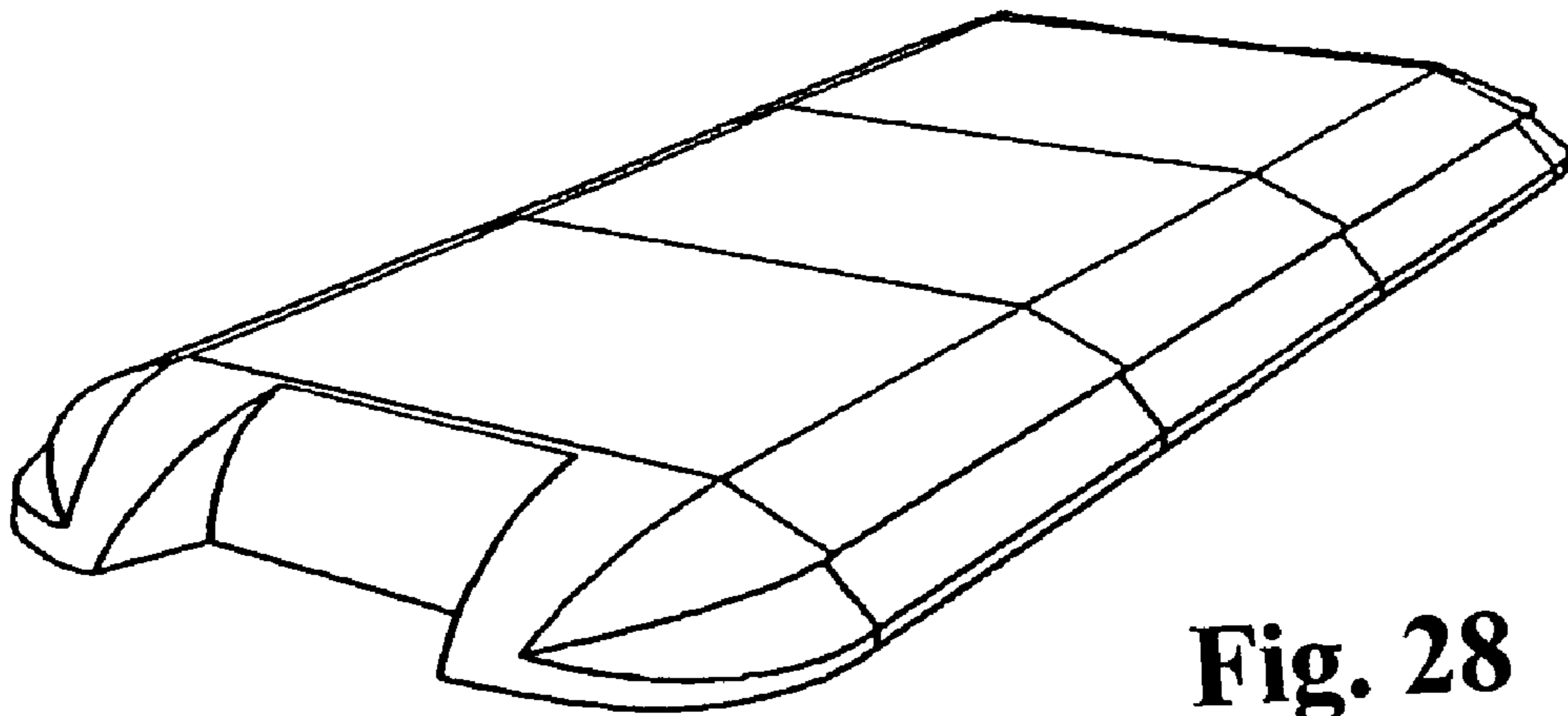


Fig. 28



Fig. 29

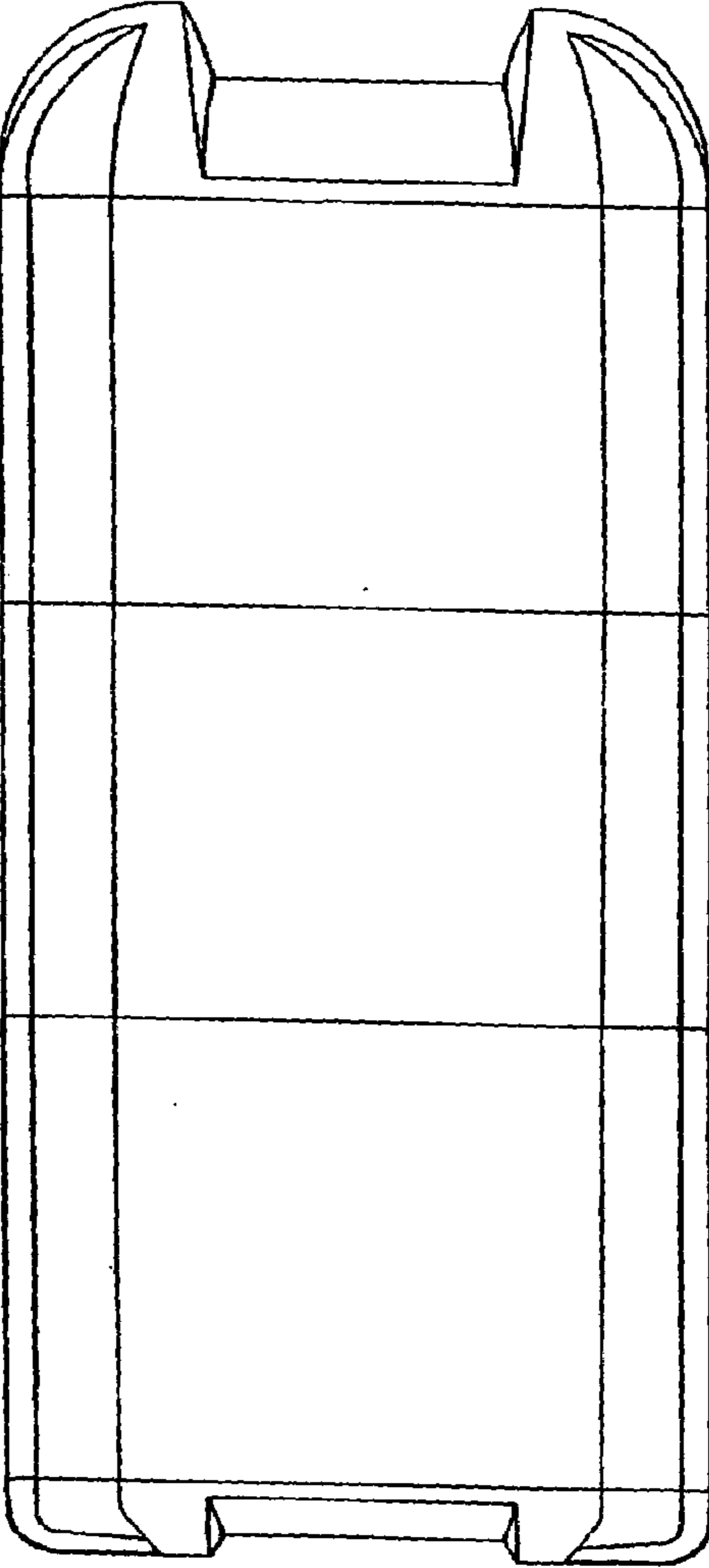


Fig. 30

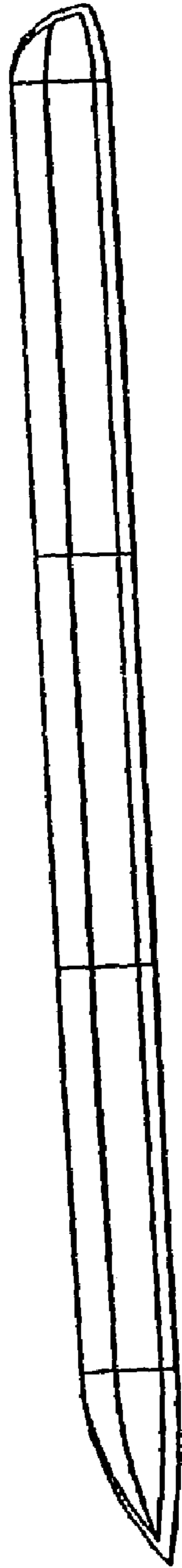


Fig. 31

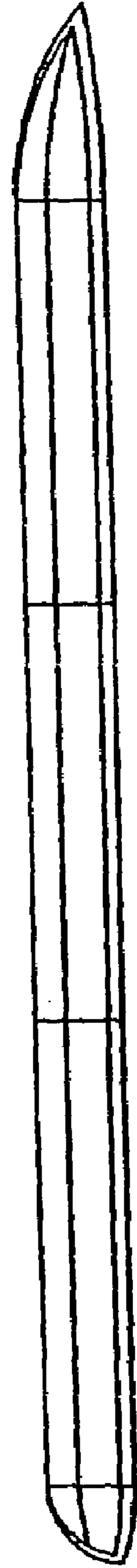


Fig. 32

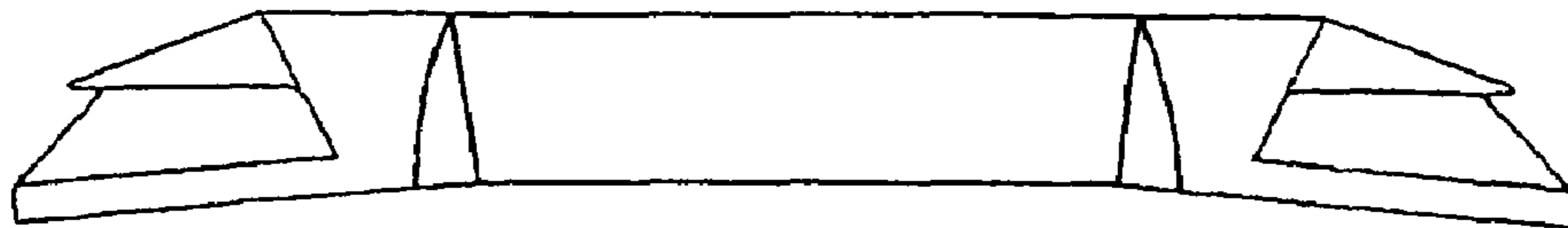


Fig. 33