

US00D560782S

(12) **United States Design Patent**
Marshall et al.

(10) **Patent No.:** **US D560,782 S**
(45) **Date of Patent:** **** Jan. 29, 2008**

- (54) **WALL HUNG BASIN**
- (75) Inventors: **Keith D. Marshall**, Rancho Cucamonga, CA (US); **Chris Adkison**, Ontario, CA (US)
- (73) Assignee: **Acorn Engineering Co.**, City of Industry, CA (US)
- (**) Term: **14 Years**
- (21) Appl. No.: **29/279,342**
- (22) Filed: **Apr. 27, 2007**
- (51) **LOC (8) Cl.** **23-02**
- (52) **U.S. Cl.** **D23/293.1**
- (58) **Field of Classification Search** D23/271-274, D23/284-293.1, 303, 308; 4/619, 624, 661
See application file for complete search history.

- D539,879 S * 4/2007 Stein D23/293.1
- D542,892 S * 5/2007 Miyamoto D23/292
- D545,415 S * 6/2007 Tani et al. D23/293.1

OTHER PUBLICATIONS

Bradley Corporation, Plumbing Fixtures: Lavatory Systems, website, <http://www.bradleycorp.com/prodinfo/fixtures/lavatory/index.htm>, Nov. 14, 2006, 2 pages.

Bradley Corporation, Plumbing Fixtures: Lavatory Systems Terreon Lav Decks, Model LD-3060 Series, website, <http://www.bradleycorp.com/prodinfo/fixtures/lavatory/3060.htm>, Nov. 14, 2006, 1 page.

Bradley Corporation, Plumbing Fixtures Technical Data, Frequency Lavatory System—FL-Series, Jul. 21, 2005, 9 pages.

Bradley Corporation, Plumbing Fixtures: Lavatory Systems, Wall-Hung Express Lavatory System SS-Series Model SS-3/WH97, website, <http://www.bradleycorp.com/prodinfo/fixtures/lavatory/ss3wh97.htm>, Nov. 14, 2006, 2 pages.

Willoughby Industries, Inc., Stainless Steel and Solid Surface Plumbing Fixtures and Accessories, <http://www.willoughby-ind.com/>, Nov. 10, 2006, 3 pages.

* cited by examiner

Primary Examiner—Robert A. Delehanty

(74) *Attorney, Agent, or Firm*—Michael Best & Friedrich LLP

(56) **References Cited**

U.S. PATENT DOCUMENTS

- 5,530,972 A * 7/1996 Tanner 4/620
- D426,988 S 6/2000 Desombre
- D447,224 S 8/2001 Barnum et al.
- 6,296,626 B1 10/2001 Stein
- D474,835 S 5/2003 Kahle et al.
- D477,060 S 7/2003 Loberger et al.
- 6,643,865 B2 11/2003 Bork et al.
- D484,958 S 1/2004 Loberger et al.
- D496,450 S 9/2004 Loberger et al.
- D501,674 S 2/2005 Adkison
- D507,043 S * 7/2005 Ferrer Beltran D23/293.1
- D507,334 S * 7/2005 Ferrer Beltran D23/293.1
- D507,634 S 7/2005 Loberger et al.
- D508,117 S 8/2005 Loberger et al.
- D509,577 S 9/2005 Loberger et al.
- D511,205 S 11/2005 Loberger et al.
- D511,821 S 11/2005 Loberger et al.
- 6,986,171 B1 1/2006 Perrin
- 7,007,318 B1 3/2006 Bork et al.
- 7,039,963 B2 5/2006 Loberger et al.
- D526,394 S 8/2006 Loberger et al.
- D527,085 S 8/2006 Loberger et al.
- D527,809 S 9/2006 Loberger et al.

(57) **CLAIM**

The ornamental design for a wall hung basin, as shown and described.

DESCRIPTION

FIG. 1 is a perspective view of a wall hung basin in accordance with the present invention;

FIG. 2 is a top view thereof;

FIG. 3 is a front view thereof;

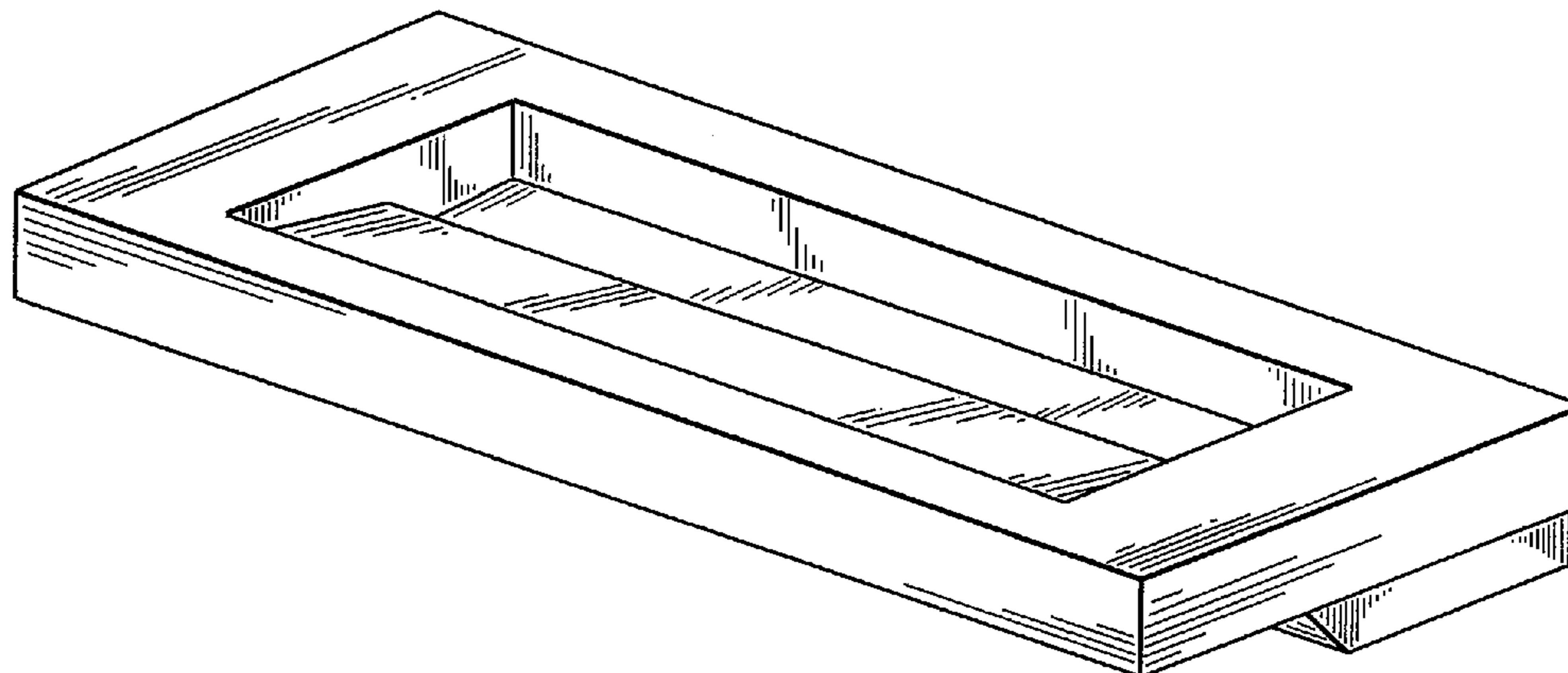
FIG. 4 is a right side view thereof;

FIG. 5 is a rear view thereof; and,

FIG. 6 is a bottom view thereof.

The portions of the design shown in broken lines are for illustrative purposes and form no part of the claimed design.

1 Claim, 4 Drawing Sheets



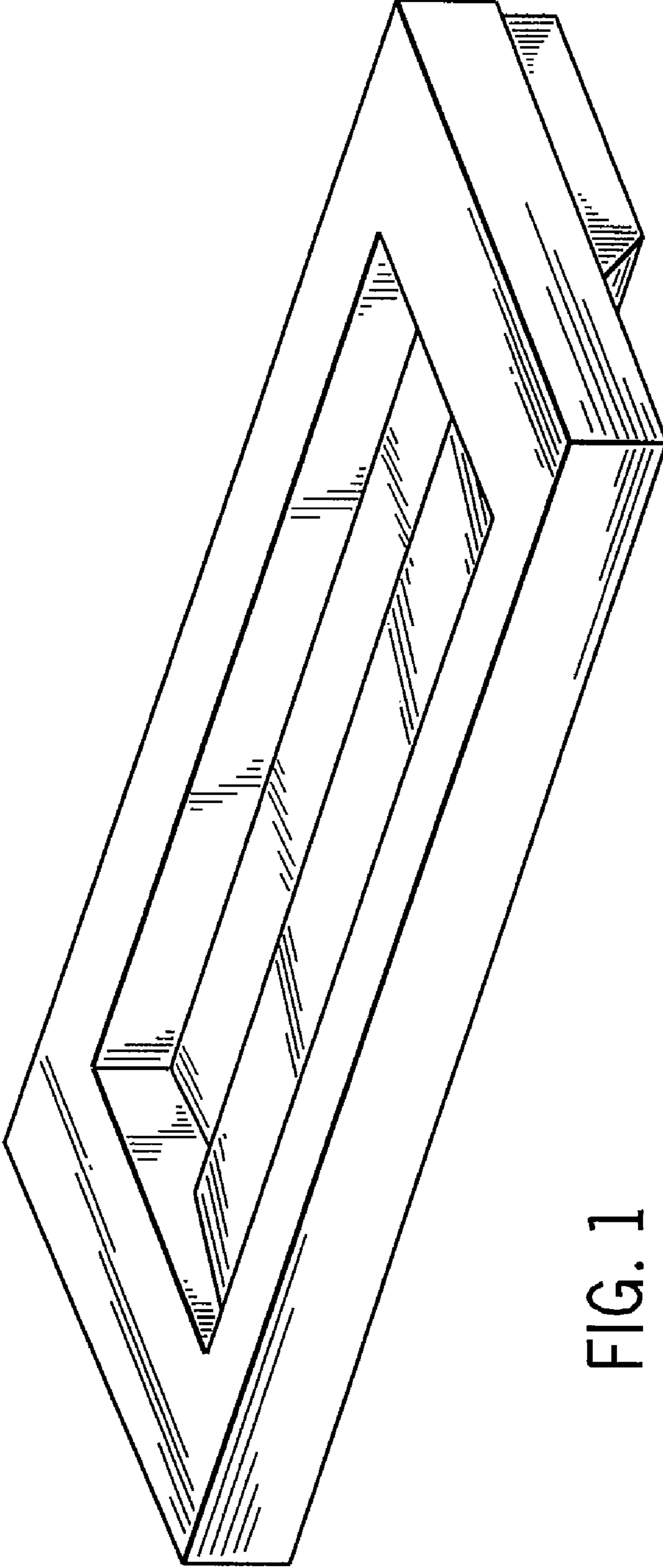


FIG. 1

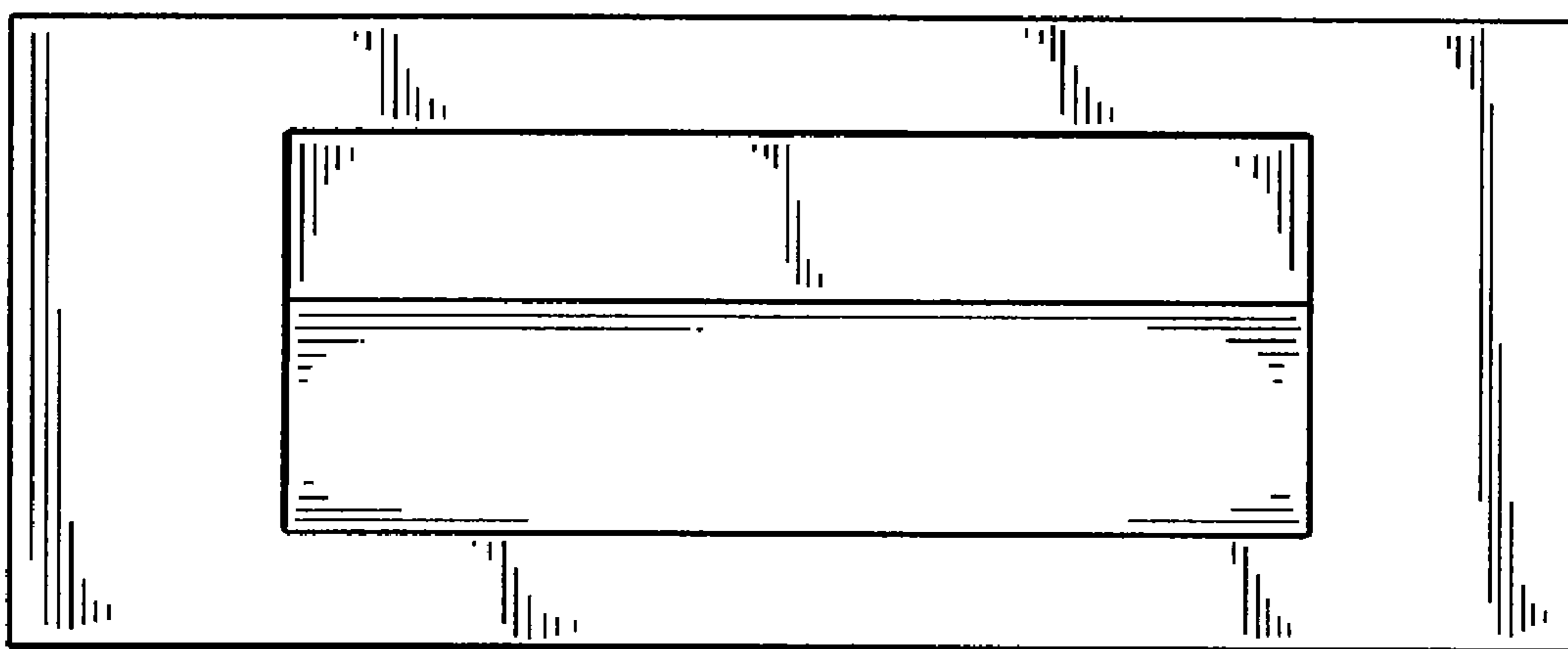


FIG. 2

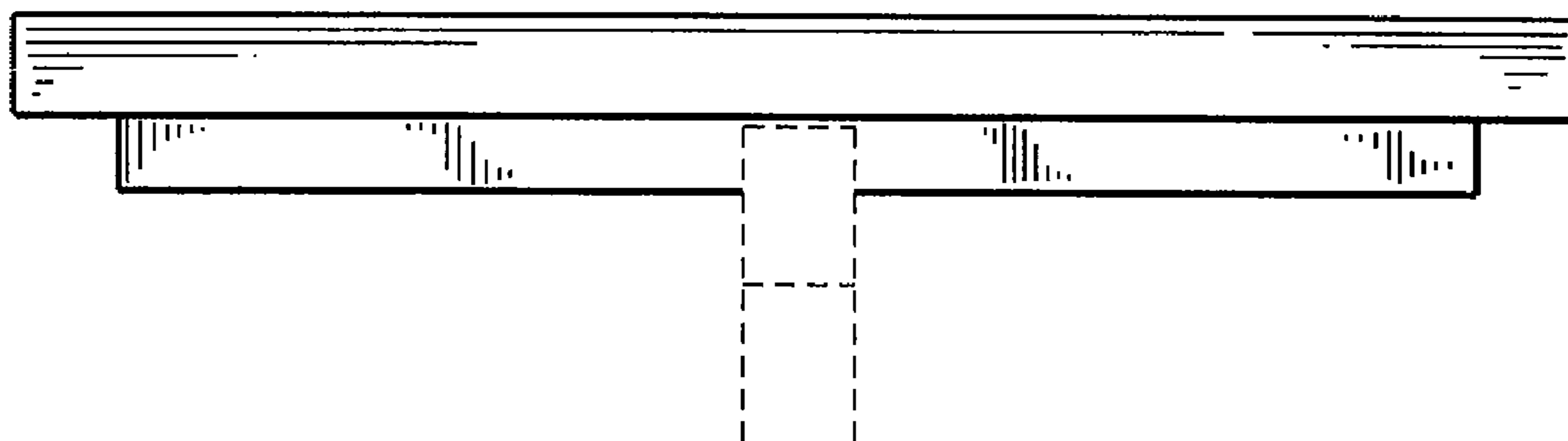


FIG. 3

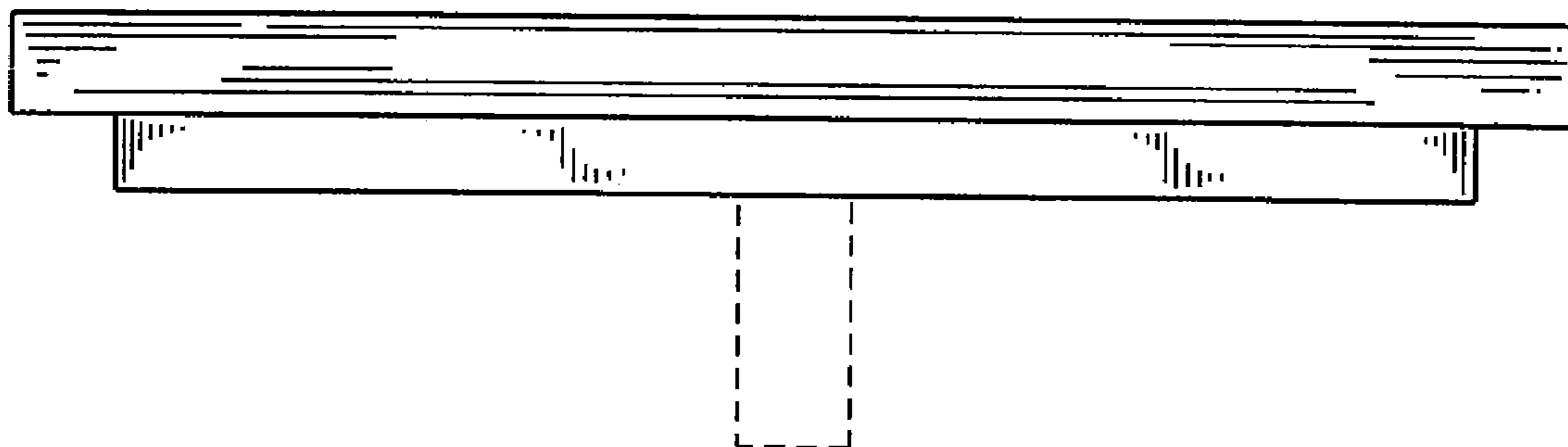
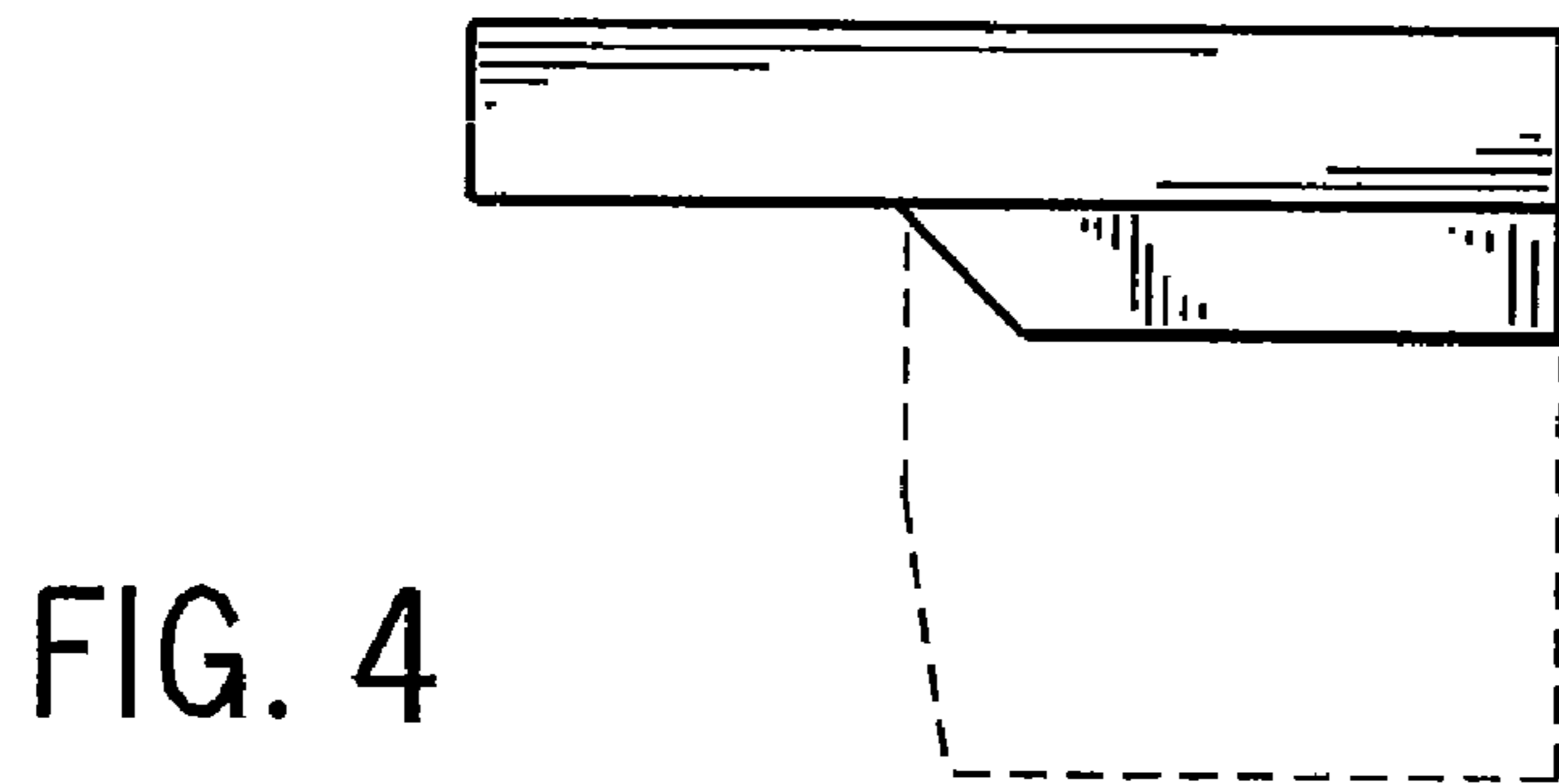


FIG. 5

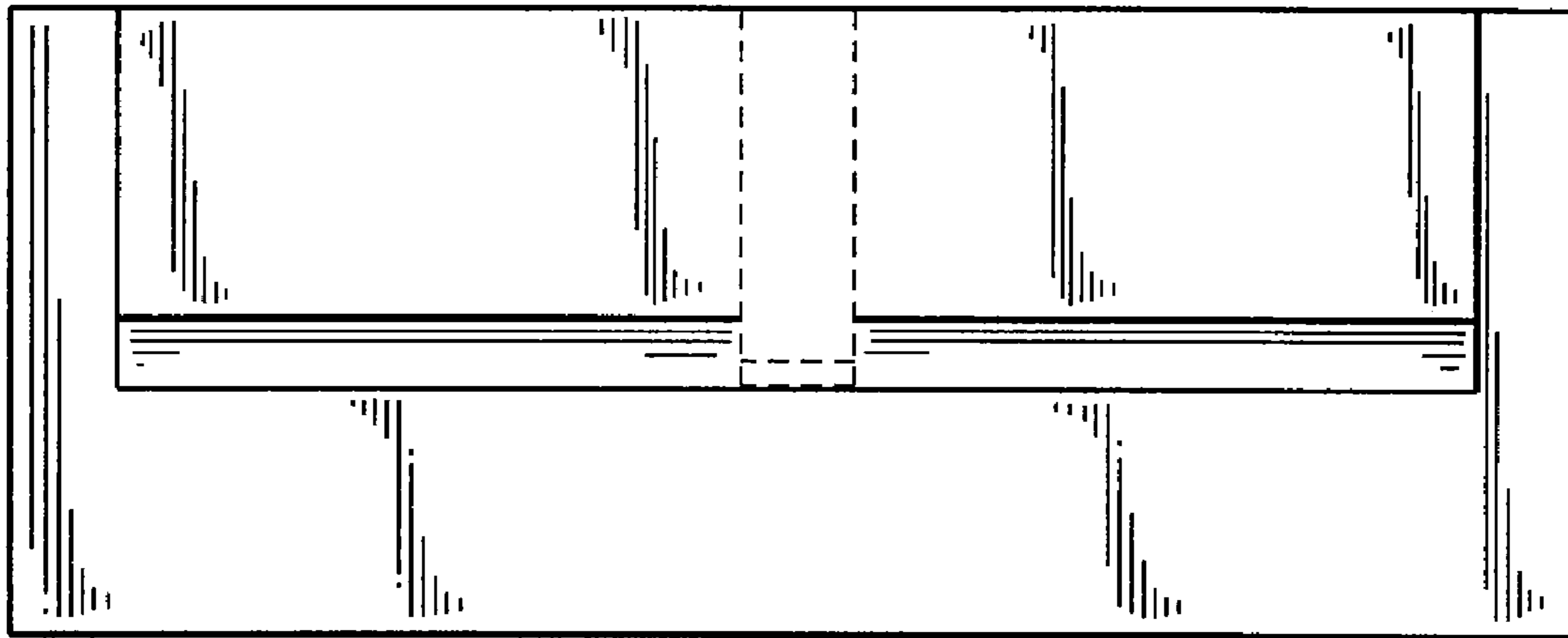


FIG. 6