



US00D560780S

(12) **United States Design Patent**
Hanna

(10) **Patent No.:** **US D560,780 S**
(45) **Date of Patent:** **** Jan. 29, 2008**

(54) **LAVATORY**

(75) Inventor: **Ken S. Hanna**, Adell, WI (US)

(73) Assignee: **Kohler Co.**, Kohler, WI (US)

(**) Term: **14 Years**

(21) Appl. No.: **29/279,279**

(22) Filed: **Apr. 25, 2007**

(51) **LOC (8) Cl.** **23-02**

(52) **U.S. Cl.** **D23/293.1**

(58) **Field of Classification Search** D23/271-274,
D23/284-293.1, 303, 308; 4/619, 624, 661
See application file for complete search history.

(56) **References Cited**

U.S. PATENT DOCUMENTS

D538,900 S * 3/2007 Bates et al. D23/290
D540,441 S * 4/2007 Bates D23/293.1

OTHER PUBLICATIONS

Bates and Bates. "Cozumel". Homeportfolio online catalog. Copyright 1997-2007 HomePortfolio Inc.
Purple Sage Collections. "Small Square Vessel". Homeportfolio online catalog. Copyright 1997-2007 HomePortfolio Inc.
Natural Stone Sinks. "Oval Block—Honey Onyx Oval Block". FixtureUniverse online catalog. Copyright 1999-2005 Allied Trade Group.
Kohler Co. "Escale Square Vessel". Model No.: K-19047. Kohler Co. online catalog. Copyright 2007. Kohler Co.

* cited by examiner

Primary Examiner—Robert A. Delehanty
(74) *Attorney, Agent, or Firm*—Quarles & Brady LLP

(57) **CLAIM**

The ornamental design for a lavatory, as shown and described.

DESCRIPTION

In a preferred embodiment, the nature of this product is as a plumbing fixture in the form of a lavatory which is primarily useful for washing various items and the body parts of humans.

FIG. 1 is a top, left, front perspective view of a lavatory embodying my new design;

FIG. 2 is a top plan view thereof;

FIG. 3 is a front elevational view thereof, the rear elevational view thereof being a mirror image of the front view shown;

FIG. 4 is a left side elevational view thereof, the right side elevational view thereof being a mirror image of the left side shown;

FIG. 5 is sectional view taken along line 5—5 of FIG. 2;

FIG. 6 is a sectional view taken along line 6—6 of FIG. 2; and,

FIG. 7 is a bottom plan view thereof.

The broken line representations of a drain in the figures and of understructure in FIGS. 5-7 are for the purpose of illustration only, and form no part of the claimed design.

1 Claim, 4 Drawing Sheets

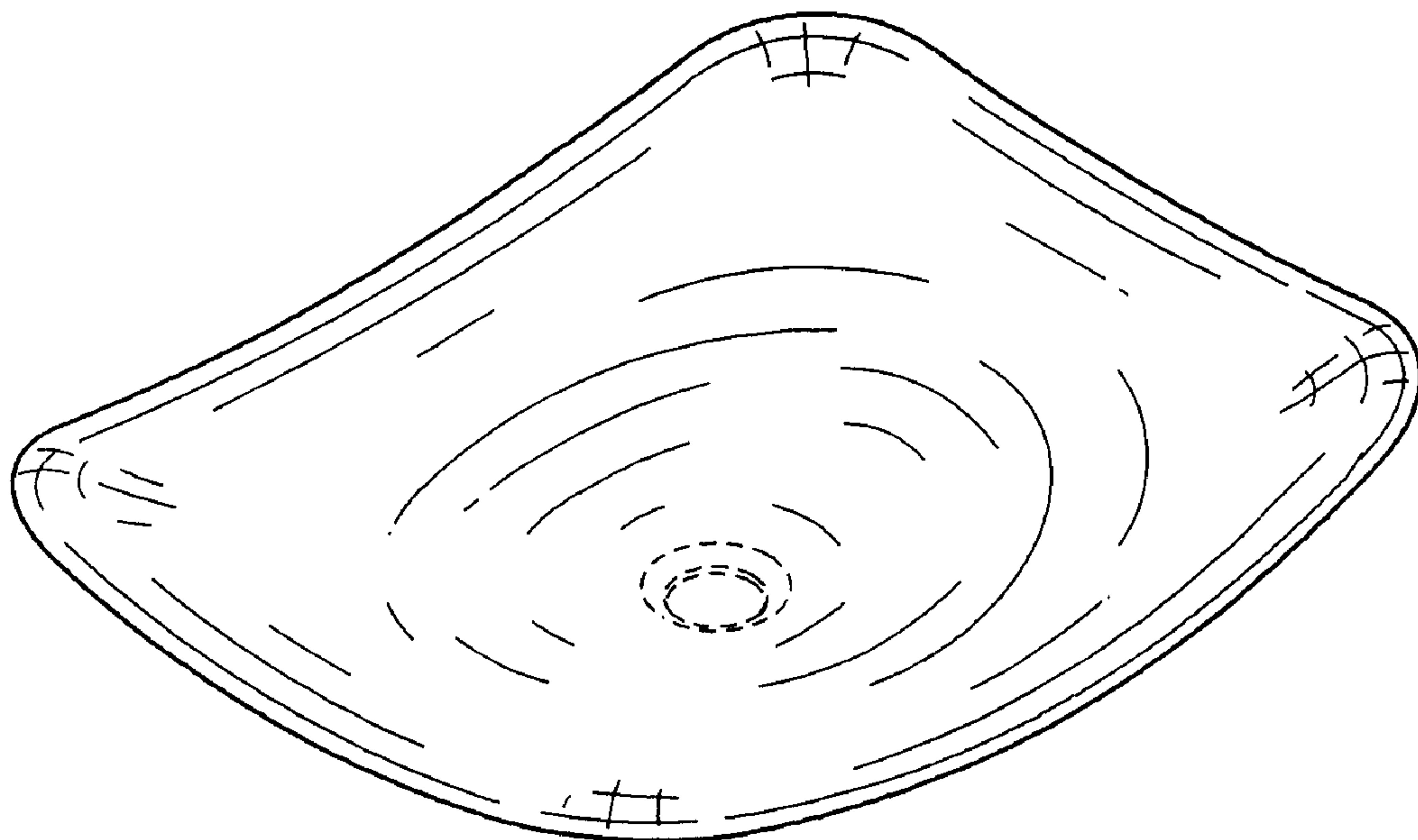


FIG. 1

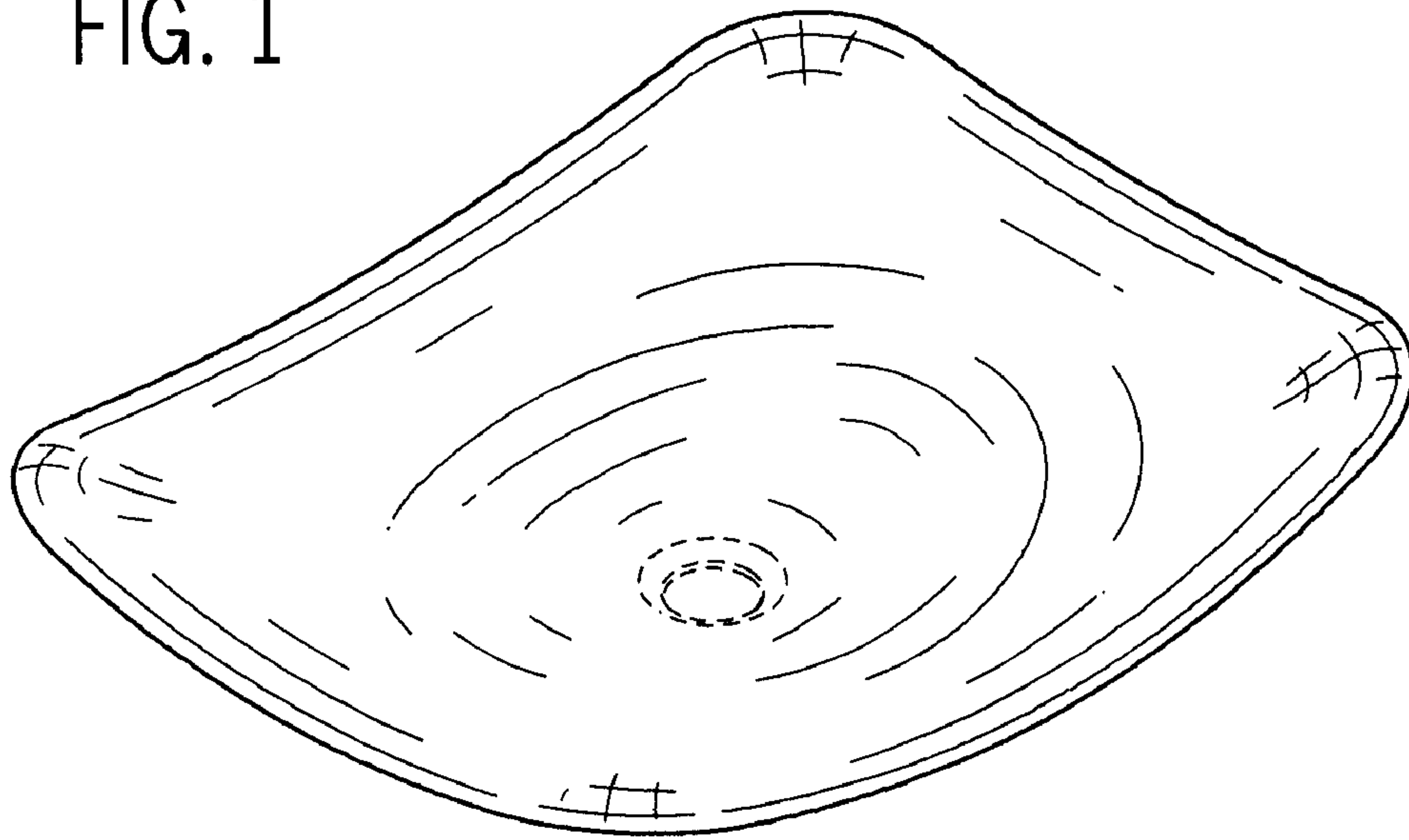
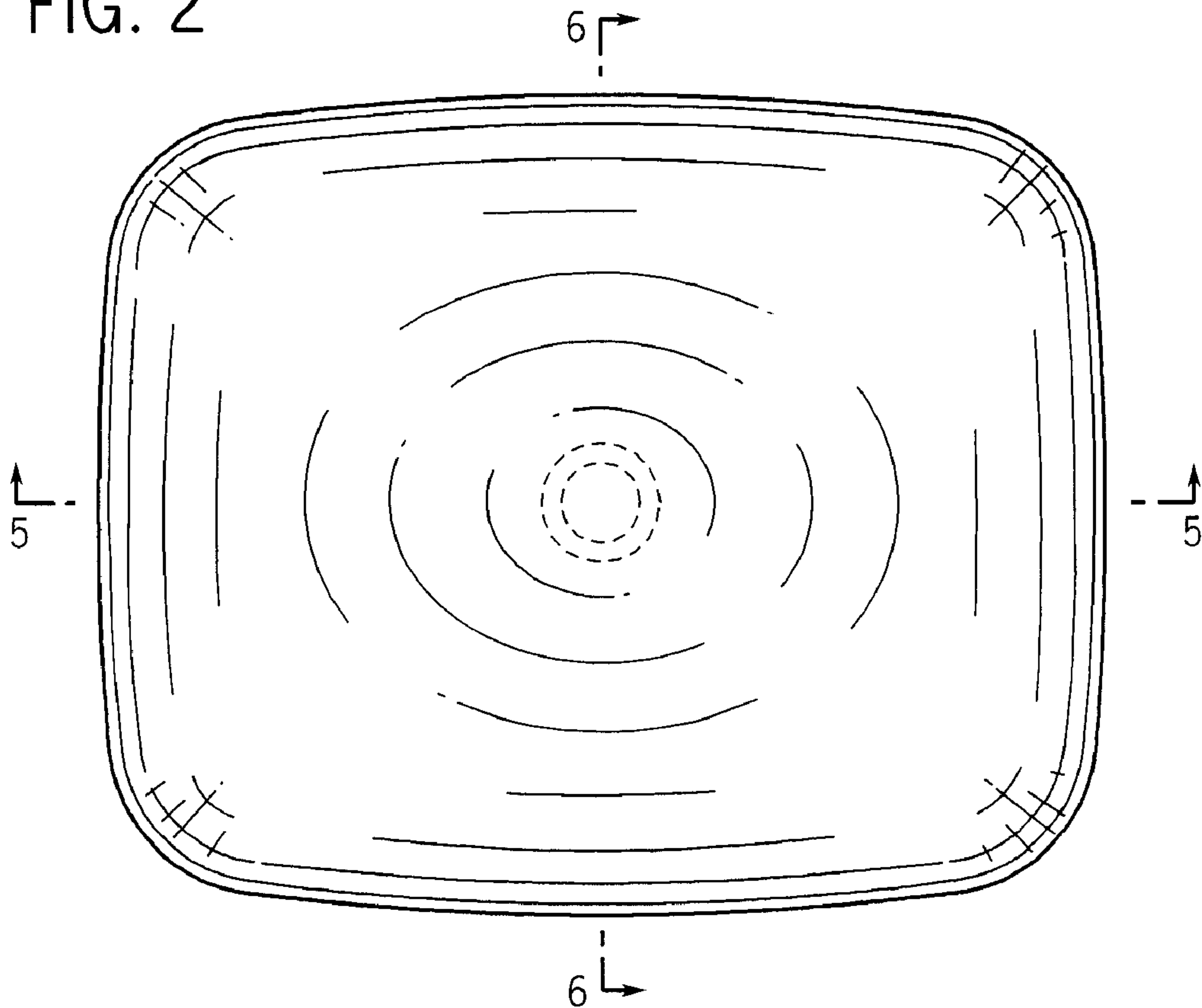


FIG. 2



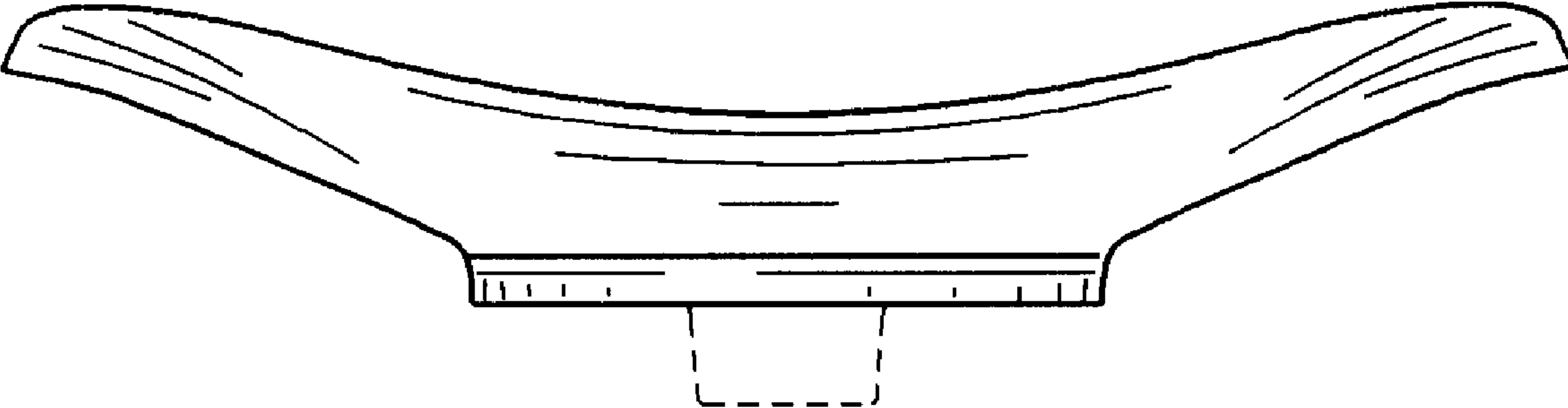


FIG. 3

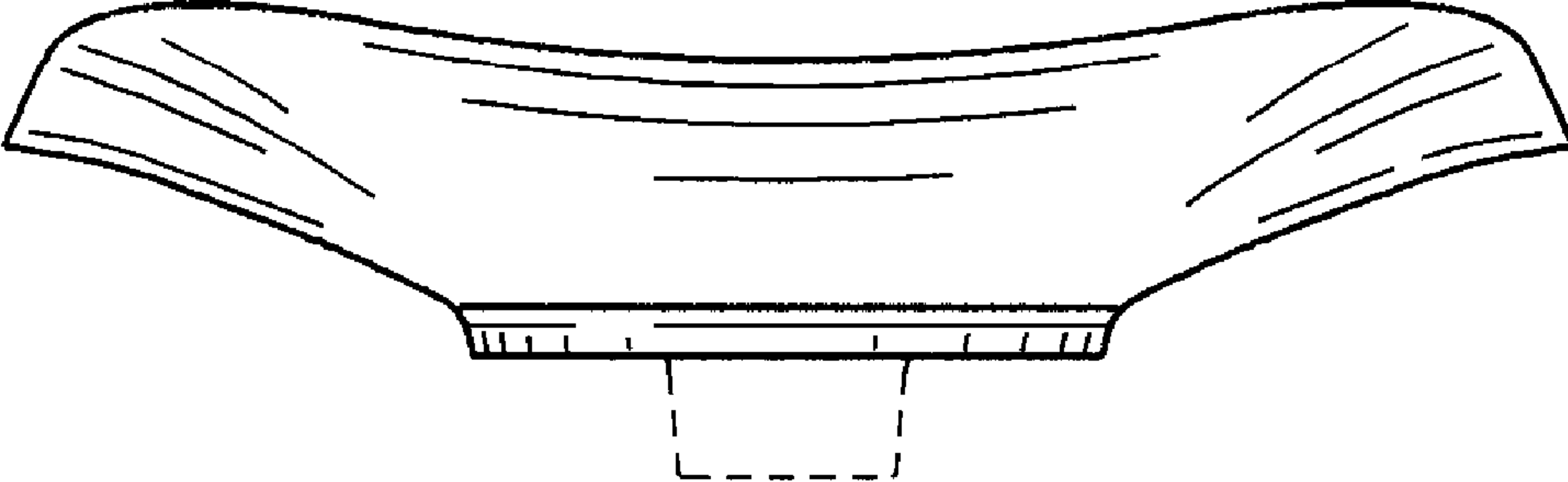


FIG. 4

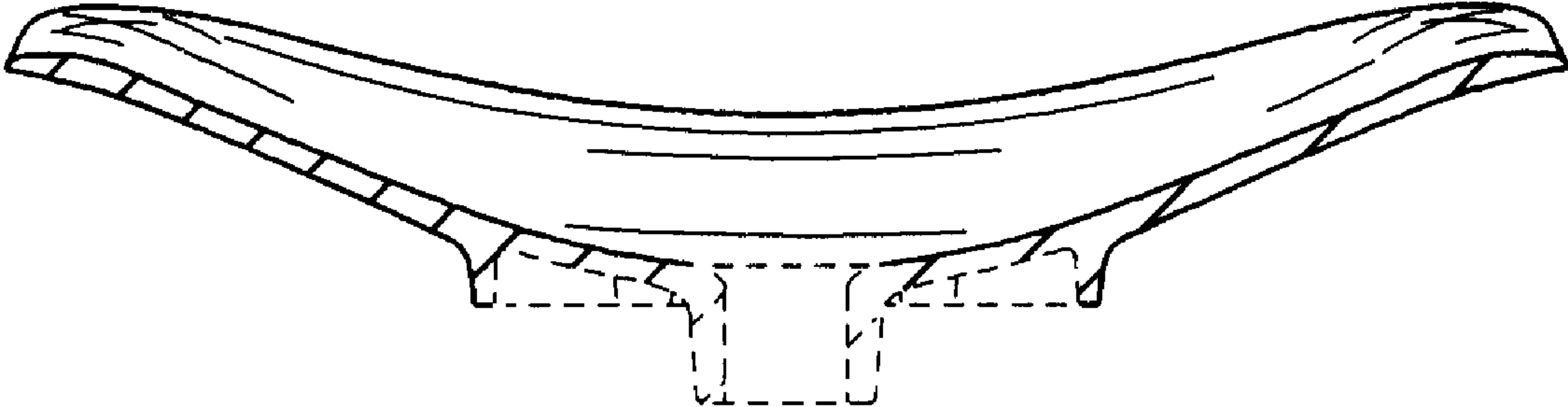


FIG. 5

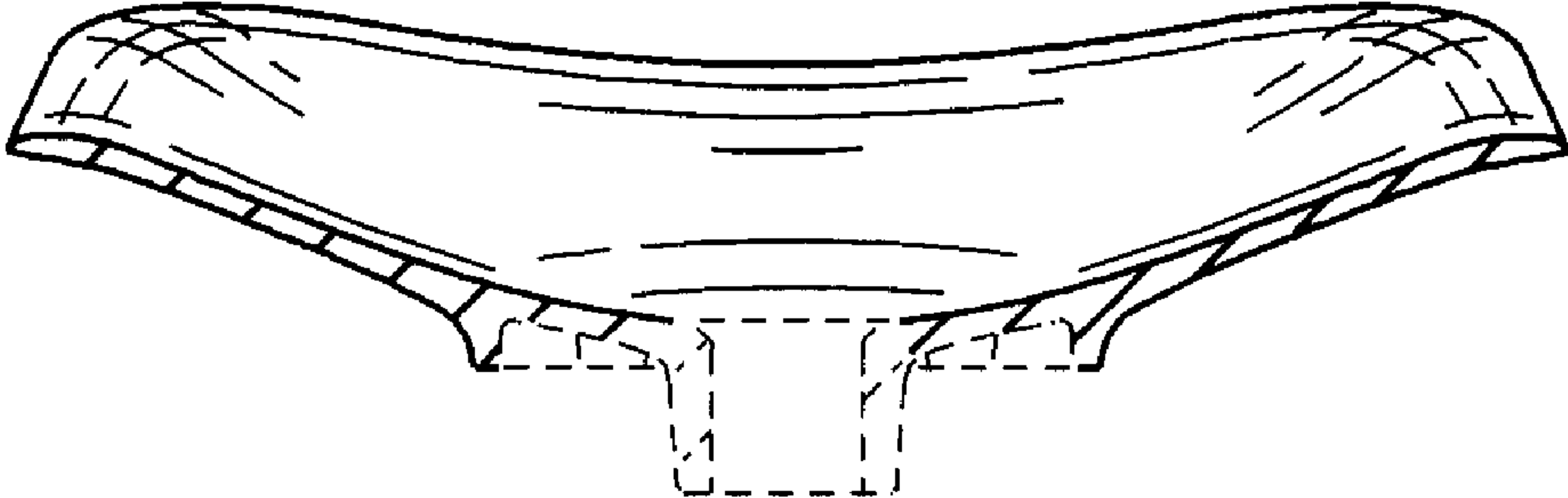


FIG. 6

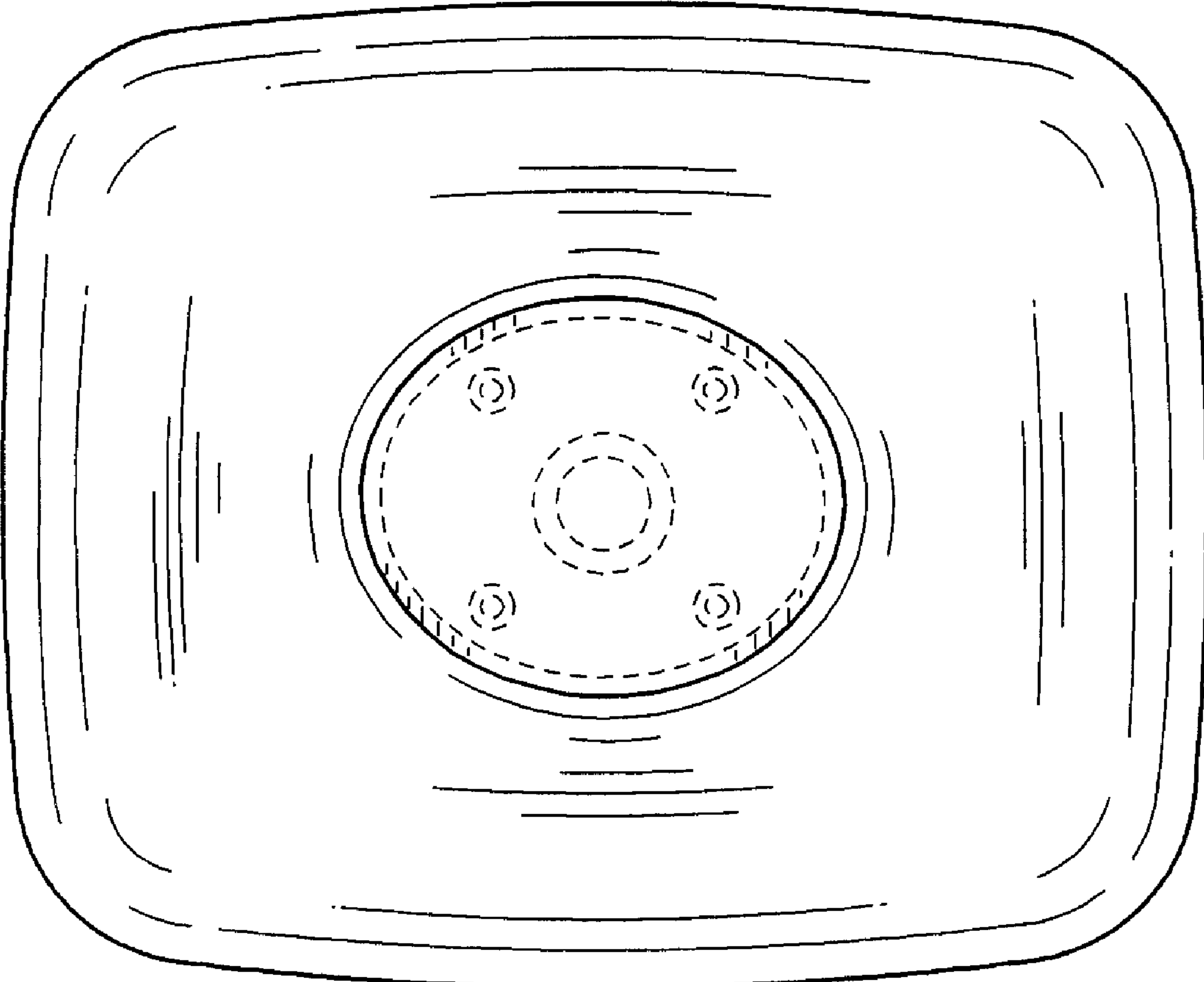


FIG. 7