

US00D560779S

(12) **United States Design Patent**
Zhang et al.

(10) **Patent No.:** **US D560,779 S**

(45) **Date of Patent:** **** Jan. 29, 2008**

(54) **LAVATORY**

(75) Inventors: **James Liren Zhang**, Singapore (SG);
Mary J. Reid, Sheboygan, WI (US);
Nicholas W. Paterson, Sheboygan
Falls, WI (US)

(73) Assignee: **Kohler Co.**, Kohler, WI (US)

(**) Term: **14 Years**

(21) Appl. No.: **29/275,105**

(22) Filed: **Dec. 13, 2006**

(51) **LOC (8) Cl.** **23-02**

(52) **U.S. Cl.** **D23/293.1**

(58) **Field of Classification Search** D23/271-274,
D23/284-293.1, 303, 308; 4/619, 624, 661
See application file for complete search history.

(56) **References Cited**

U.S. PATENT DOCUMENTS

2,767,407 A	10/1956	Weiss	
D191,432 S	10/1961	Chapman	
D476,400 S *	6/2003	Singla Palacin D23/293.1
D499,469 S	12/2004	Trépanier	
D506,534 S *	6/2005	Sutopo D23/293.1
D538,905 S *	3/2007	Wano D23/293.1

OTHER PUBLICATIONS

Barclay. "LWA—Azteca Basin". Model No. LWA-0B.
Fixtureuniverse.com online catalog. Copyright 1999-2005 Allied
Trade Group.

Swanstone. "Swanstone Classics Contour Vanity Bowl". Model No.
UC-1913. fixtureuniverse.com online catalog. Copyright 1999-2005
Allied Trade Group.

* cited by examiner

Primary Examiner—Robert A. Delehanty

(74) *Attorney, Agent, or Firm*—Quarles & Brady LLP

(57) **CLAIM**

The ornamental design for a lavatory, as shown and
described.

DESCRIPTION

In a preferred embodiment, the nature of this product is as
a plumbing fixture in the form of a lavatory which is
primarily useful for washing the body parts of humans.

FIG. 1 is a top, left, front perspective view of a lavatory
embodying our new design;

FIG. 2 is a top plan view thereof;

FIG. 3 is a front elevational view thereof

FIG. 4 is a left side elevational view thereof, the right side
elevational view thereof being a mirror image of the left side
shown;

FIG. 5 is a rear elevational view thereof; and,

FIG. 6 is a bottom plan view thereof.

The broken line representations of a drain and overflow
structure in the figures are for the purpose of illustration
only, and form no part of the claimed design.

1 Claim, 3 Drawing Sheets

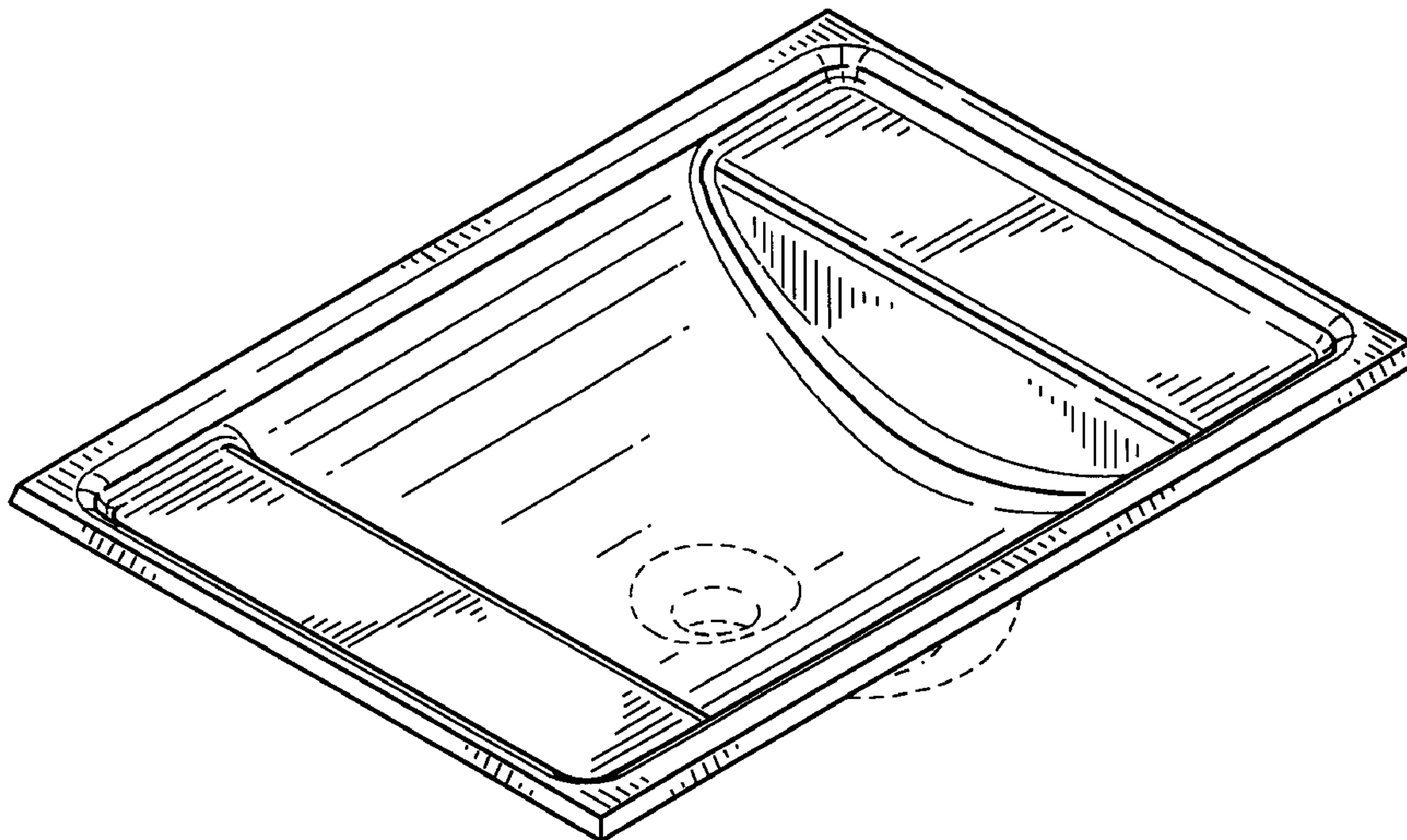


FIG. 1

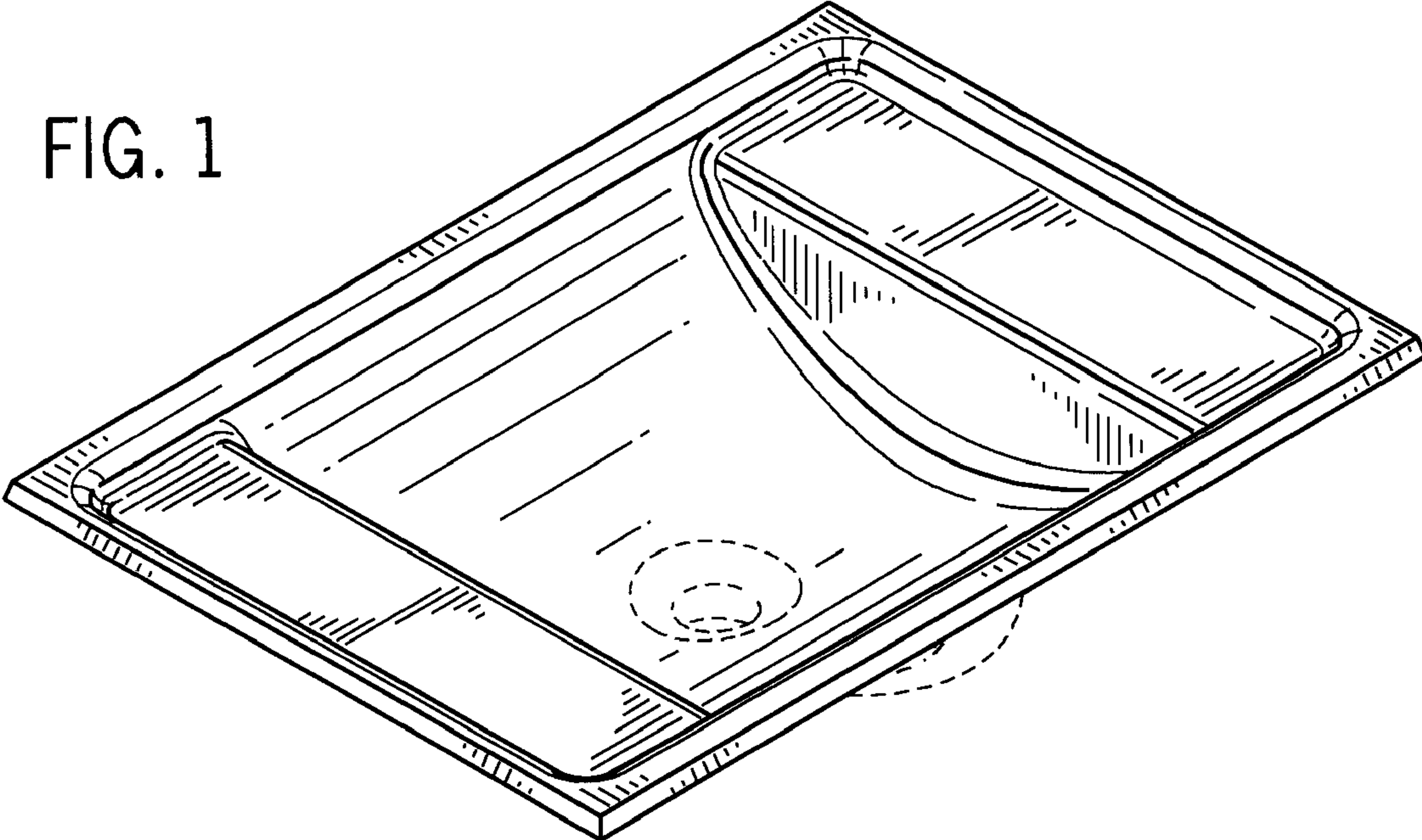


FIG. 2

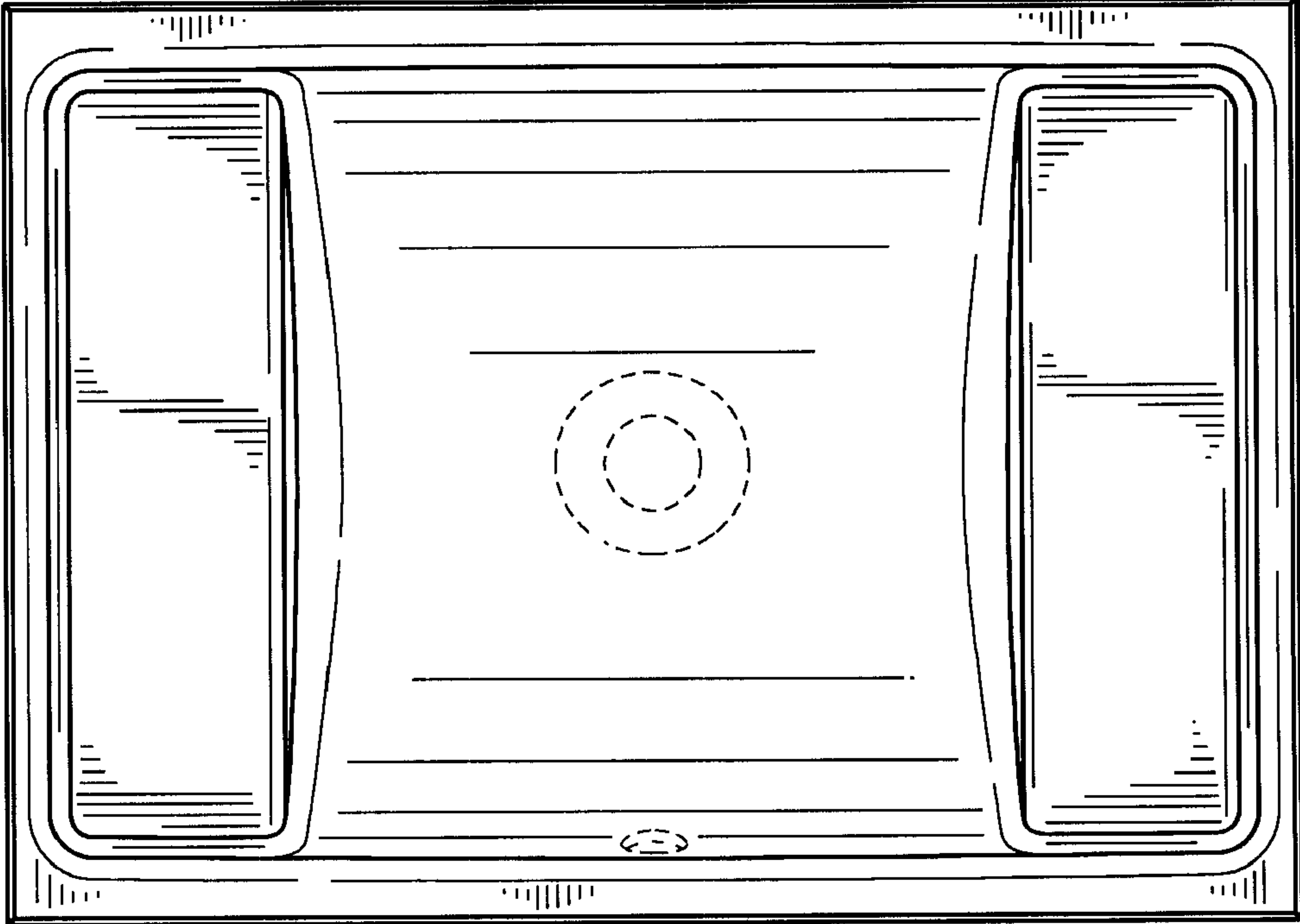


FIG. 3

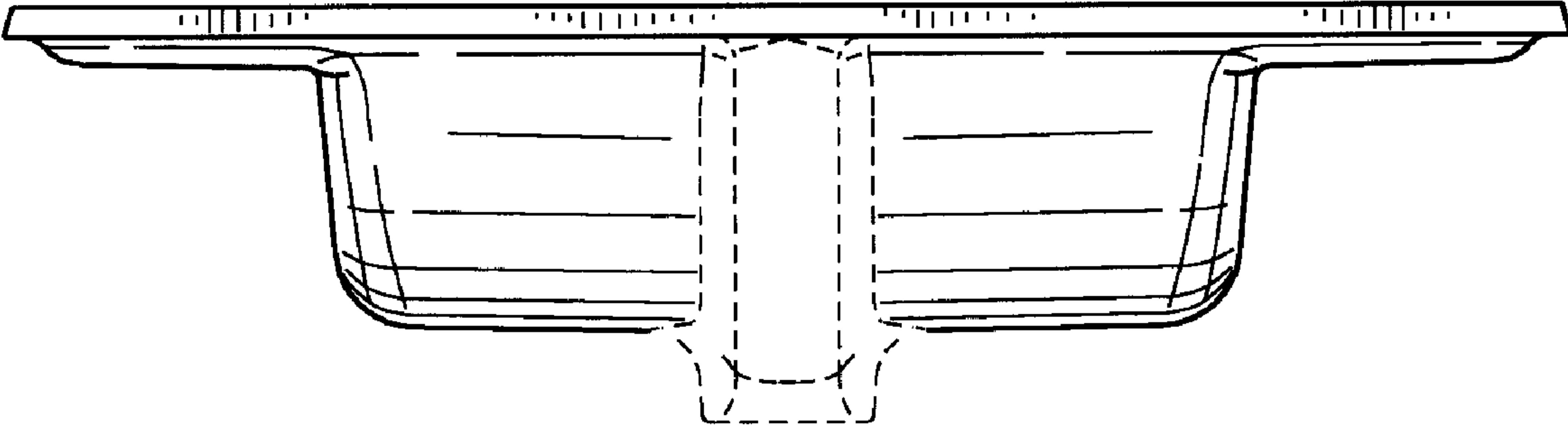


FIG. 4

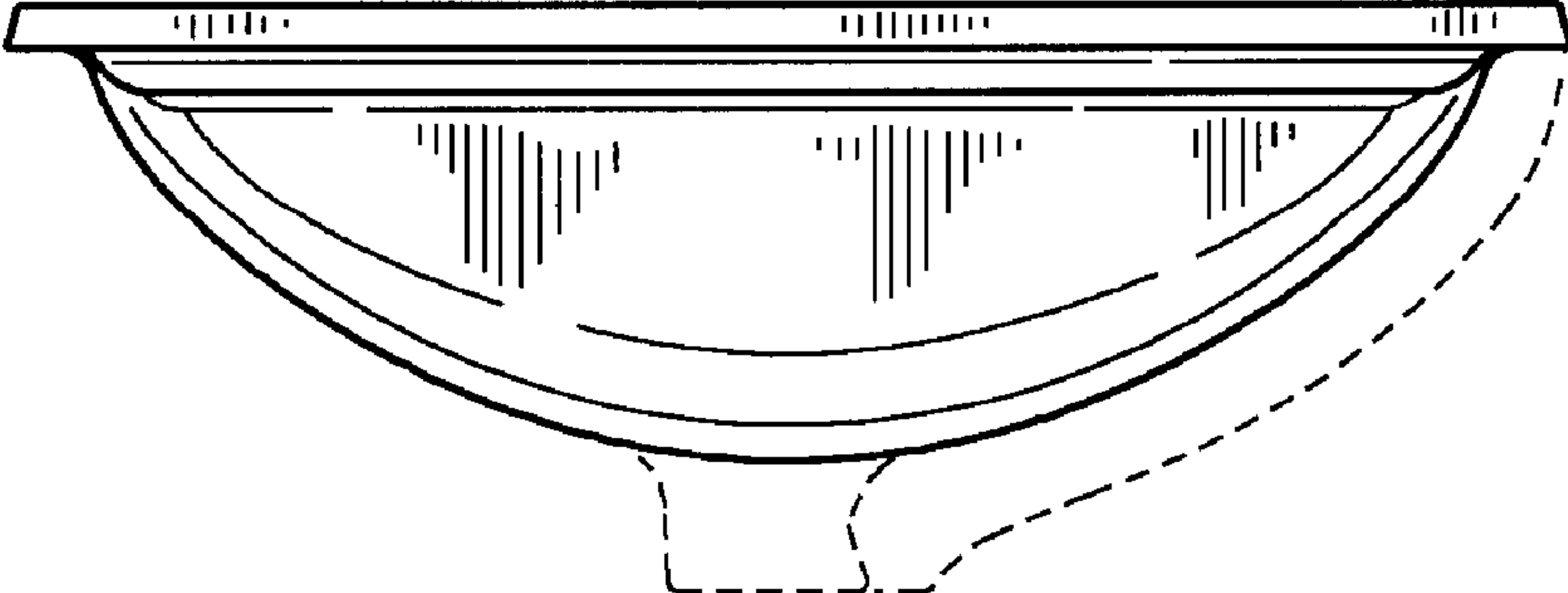


FIG. 5

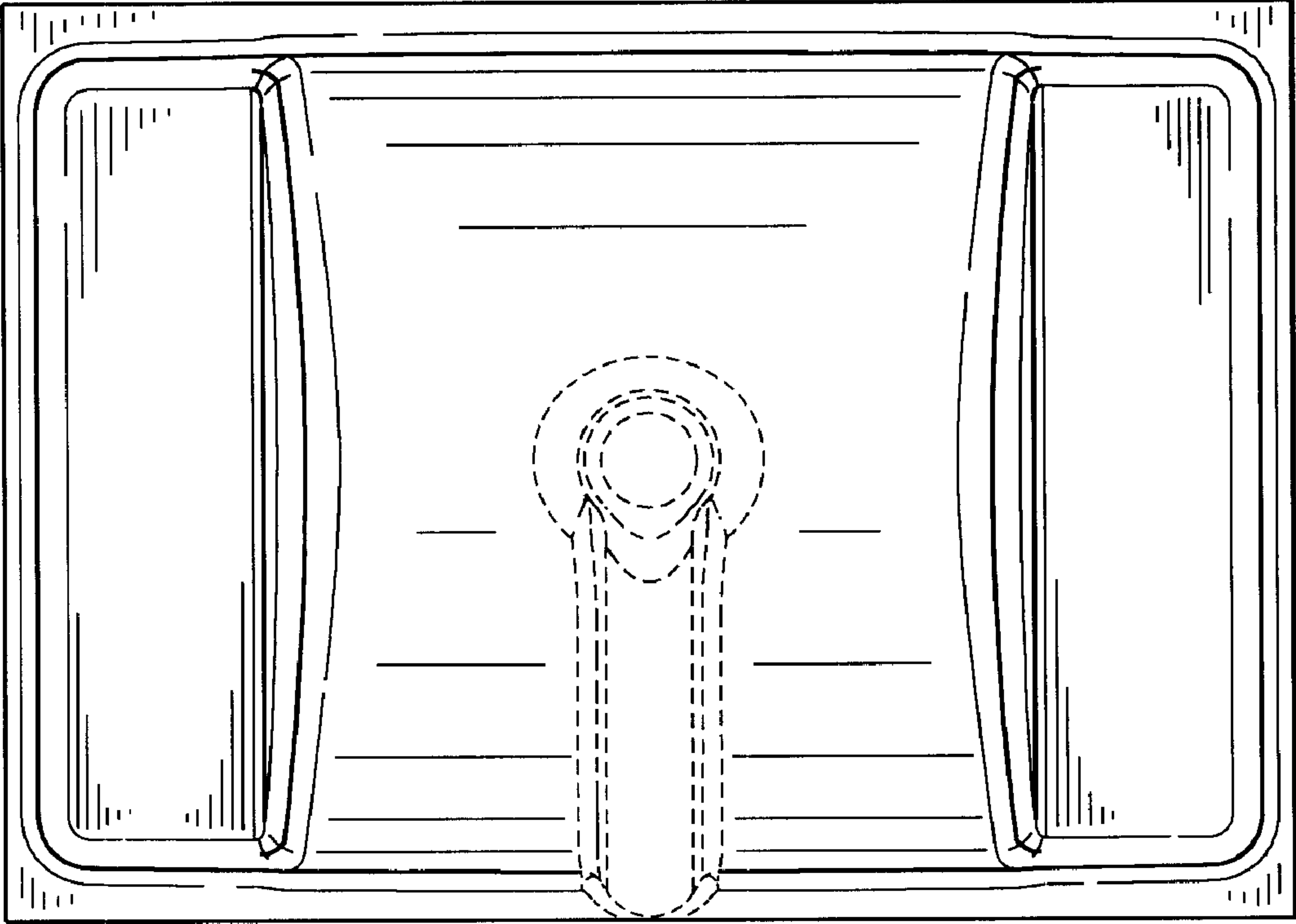
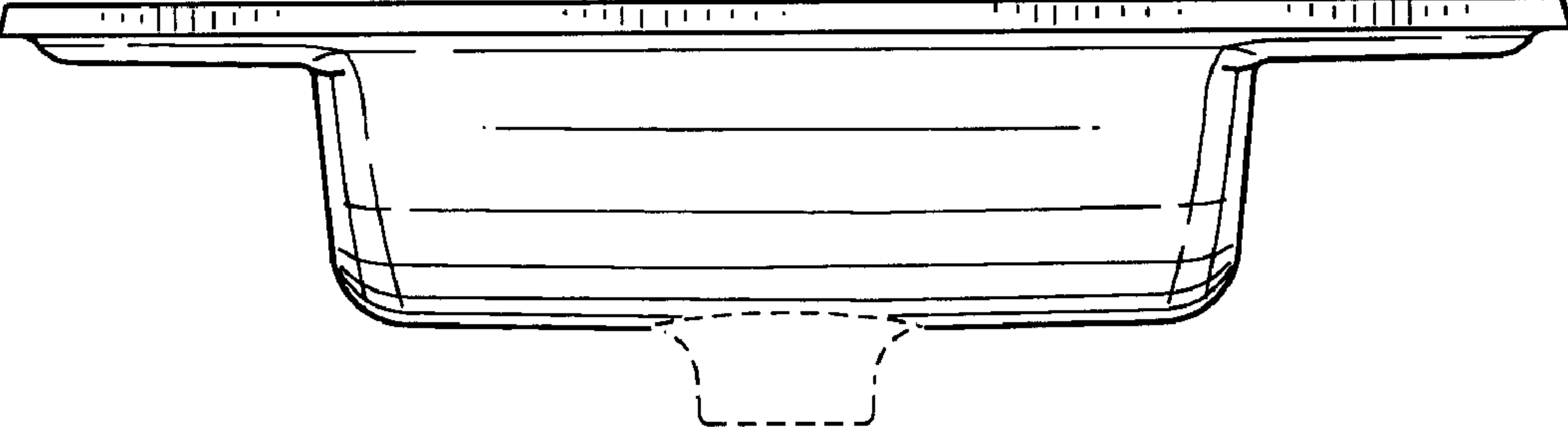


FIG. 6