



US00D560774S

(12) **United States Design Patent**  
**Lin et al.**

(10) **Patent No.:** **US D560,774 S**  
(45) **Date of Patent:** **\*\* Jan. 29, 2008**

(54) **LAVATORY SINK**

D545,411 S \* 6/2007 Lin et al. .... D23/293.1

(75) Inventors: **Kevin Lin**, Weifang (CN); **Camel Hou**,  
Weifang (CN)

\* cited by examiner

(73) Assignee: **Globe Union Industrial Corp.**,  
Taichung (TW)

*Primary Examiner*—Robert A. Delehanty  
(74) *Attorney, Agent, or Firm*—Leong C. Lei

(\*\*) Term: **14 Years**

(57) **CLAIM**

(21) Appl. No.: **29/248,462**

The ornamental design for a lavatory sink, as shown and described.

(22) Filed: **Aug. 17, 2006**

**DESCRIPTION**

(51) **LOC (8) Cl.** ..... **23-02**

FIG. 1 is a perspective view of a lavatory sink showing my new design;

(52) **U.S. Cl.** ..... **D23/293.1**

FIG. 2 is a front elevational view thereof;

(58) **Field of Classification Search** ..... D23/271–274,  
D23/284–293.1, 303, 308; 4/619, 624, 661  
See application file for complete search history.

FIG. 3 is a rear elevational view thereof;

FIG. 4 is a left side elevational view thereof;

FIG. 5 is a right side elevational view thereof; and,

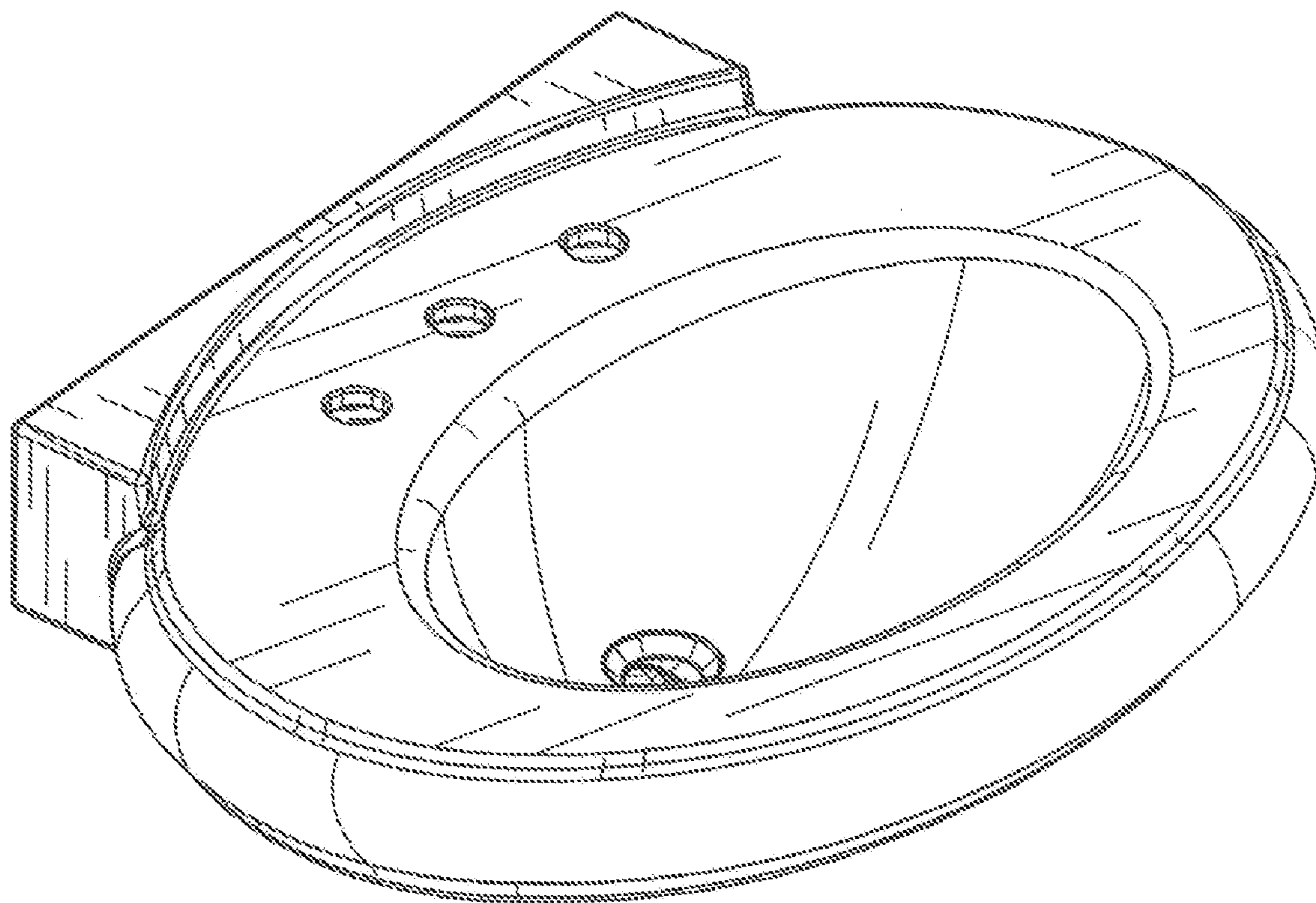
FIG. 6 is a top plan view thereof.

(56) **References Cited**

**U.S. PATENT DOCUMENTS**

D274,164 S \* 6/1984 Enthoven ..... D23/292

**1 Claim, 4 Drawing Sheets**



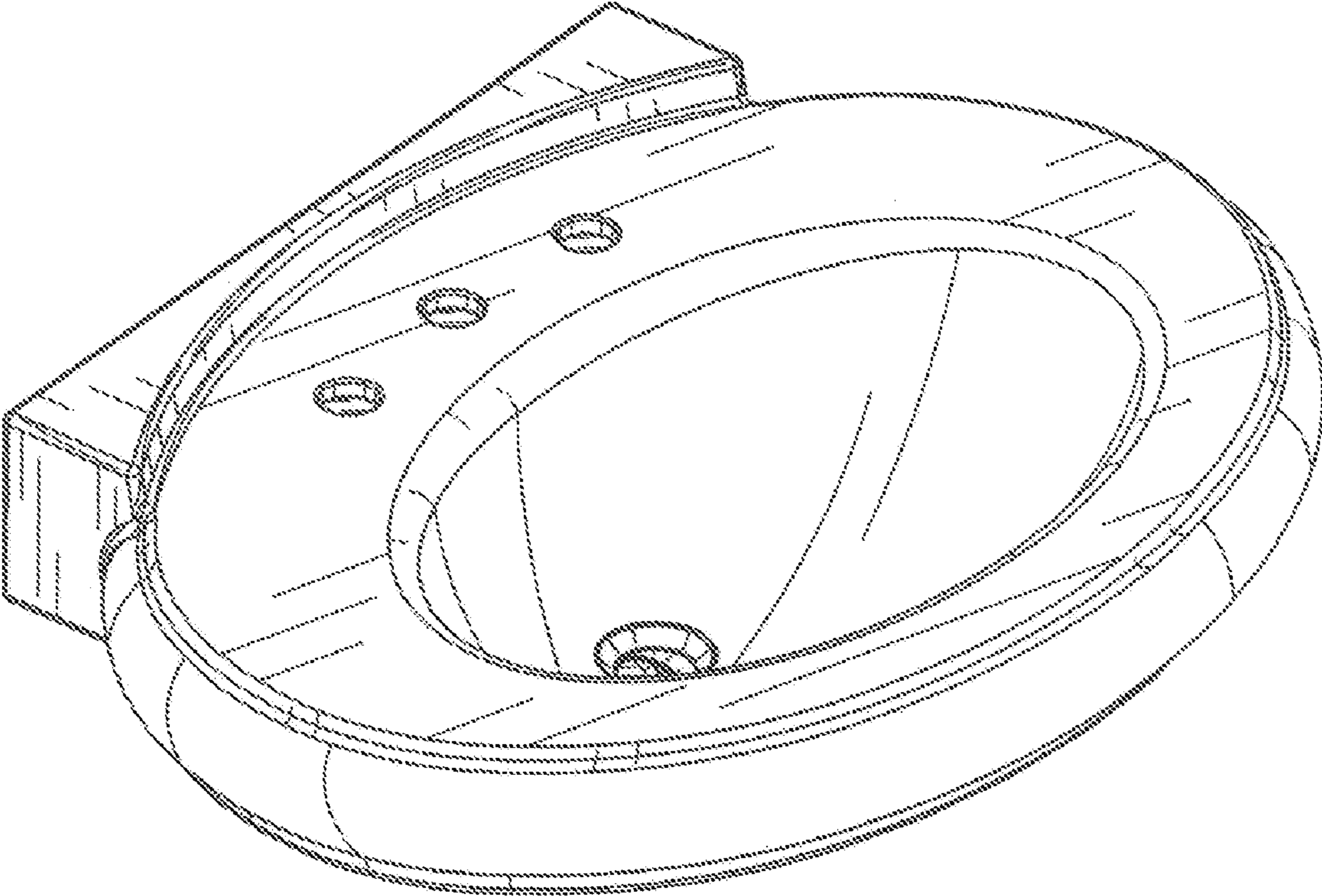


FIG. 1

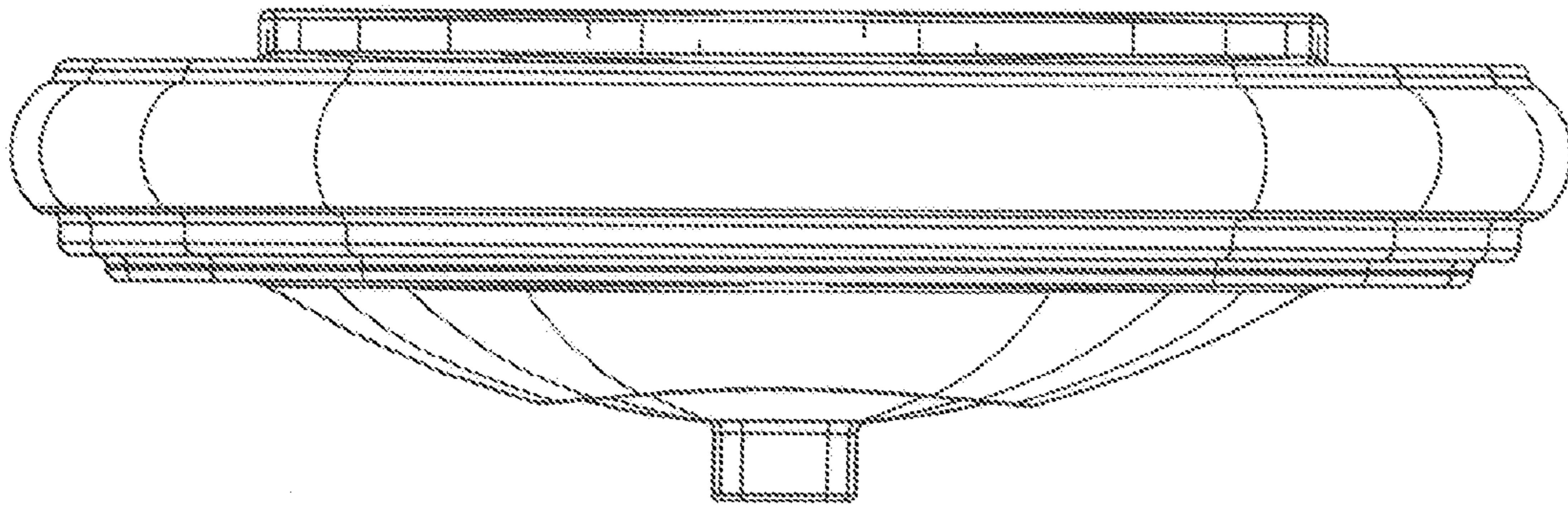


FIG. 2

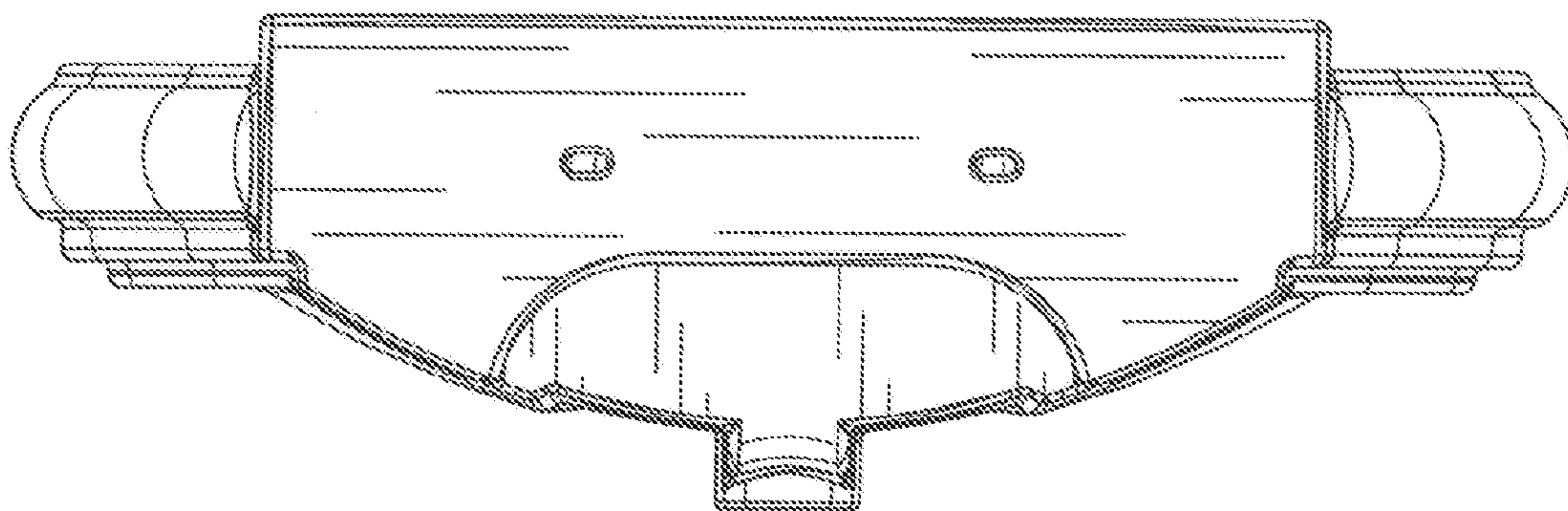


FIG. 3

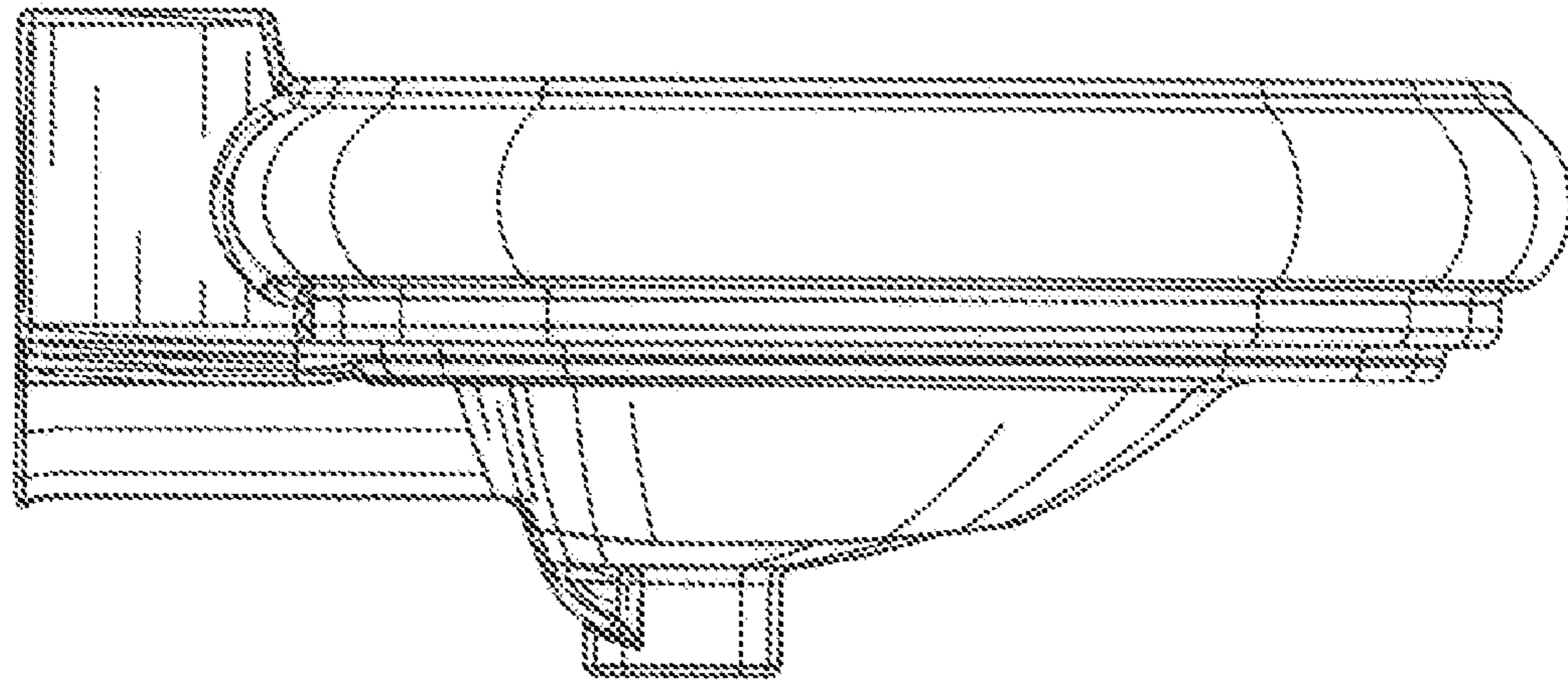


FIG. 4

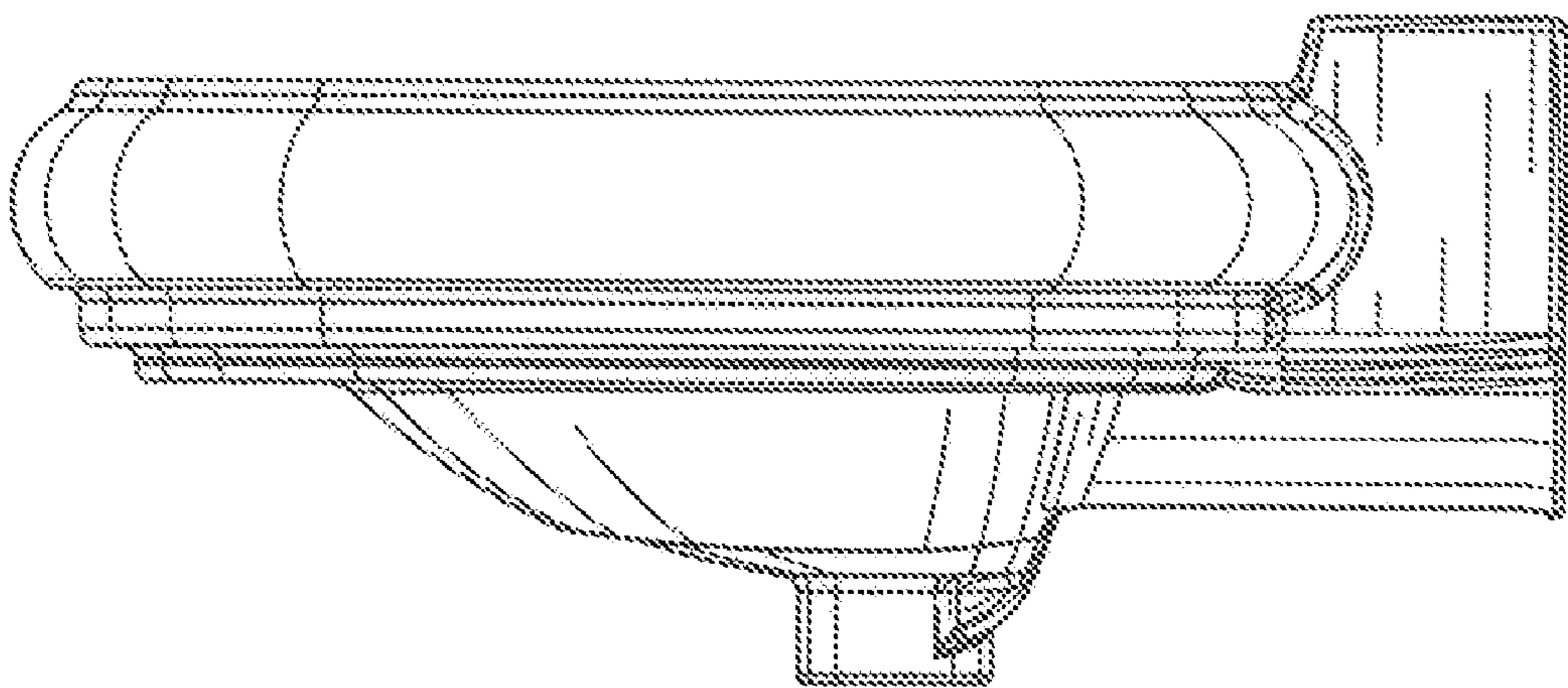


FIG. 5

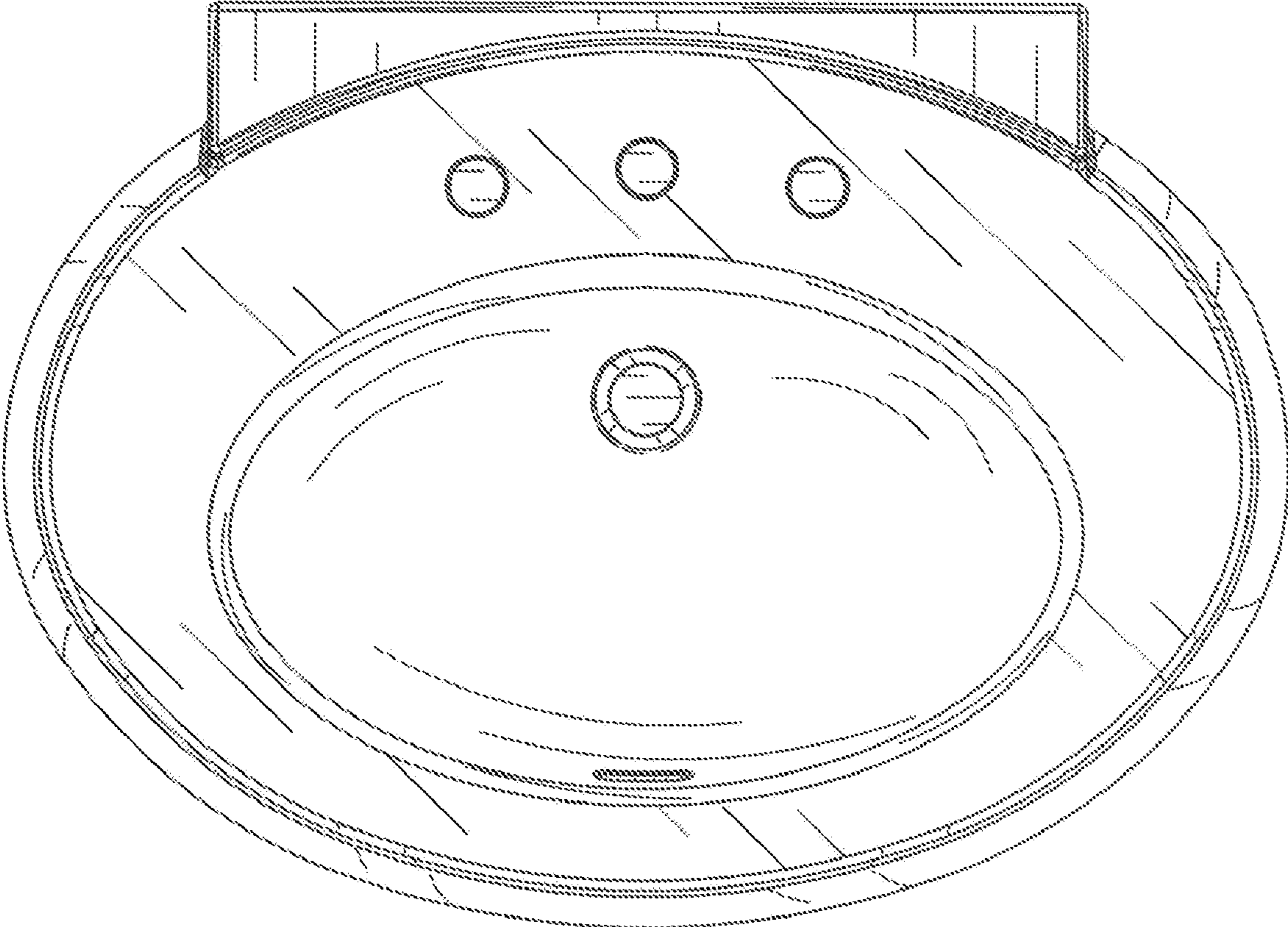


FIG. 6