



US00D560773S

(12) **United States Design Patent**
Kitzmilller

(10) **Patent No.:** **US D560,773 S**

(45) **Date of Patent:** **** Jan. 29, 2008**

(54) **SINK**

(75) Inventor: **Anne Kitzmilller**, Sheboygan, WI (US)

(73) Assignee: **Kohler Co.**, Kohler, WI (US)

(**) Term: **14 Years**

(21) Appl. No.: **29/279,688**

(22) Filed: **May 4, 2007**

(51) **LOC (8) Cl.** **23-02**

(52) **U.S. Cl.** **D23/289**

(58) **Field of Classification Search** D23/271-274,
D23/284-293.1, 303, 308; 4/619, 624, 661
See application file for complete search history.

(56) **References Cited**

U.S. PATENT DOCUMENTS

526,390	A	9/1894	Glauber	
2,023,692	A	12/1935	McQuinn	
2,308,123	A	1/1943	Stein	
D230,402	S *	2/1974	Graning, Jr. D23/287
5,070,554	A	12/1991	Bertoli	
5,073,997	A	12/1991	Rabe	
D353,881	S	12/1994	Roach	
D397,213	S	8/1998	Bonnell	
D426,623	S	6/2000	Svendsen	
6,427,259	B1	8/2002	Cawthon	
D463,538	S *	9/2002	Chipperfield D23/284
6,560,791	B2	5/2003	Perucchi	
D499,468	S	12/2004	Trapanier	
D501,542	S	2/2005	Soulier	
D506,245	S *	6/2005	Painter D23/287
2004/0250345	A1	12/2004	Kaster	

OTHER PUBLICATIONS

Elkay. "Lusterton" single bowl undermount sink with ribbed area. Model No.: ELU2421—#16850. Fausink.com online catalog. Copyright 2004-2007 Fausink.com.

Swanstone. "Granite Kitchen Sinks". Swanstone online catalog.
Astracast. "Rok Korona 1.0 bowl kitchen sink". PlumbWorld.co.uk online catalog. Copyright PlumbWorld.
Signature Hardware. "42x21 Cast Iron Kitchen Sink with Drainboard & Apron". SignatureHardware online catalog. Copyright 1999-2006 SignatureHardware.com or its affiliates.

* cited by examiner

Primary Examiner—Robert A. Delehanty

(74) *Attorney, Agent, or Firm*—Quarles & Brady LLP

(57) **CLAIM**

The ornamental design for a sink, as shown and described.

DESCRIPTION

In a preferred embodiment, the nature of this product is as a plumbing fixture primarily useful for washing various objects.

FIG. 1 is a right, top, front perspective view of a sink according to my new design;

FIG. 2 is a top plan view thereof;

FIG. 3 is a front elevational view thereof;

FIG. 4 is a rear elevational view thereof;

FIG. 5 is a right side elevational view thereof;

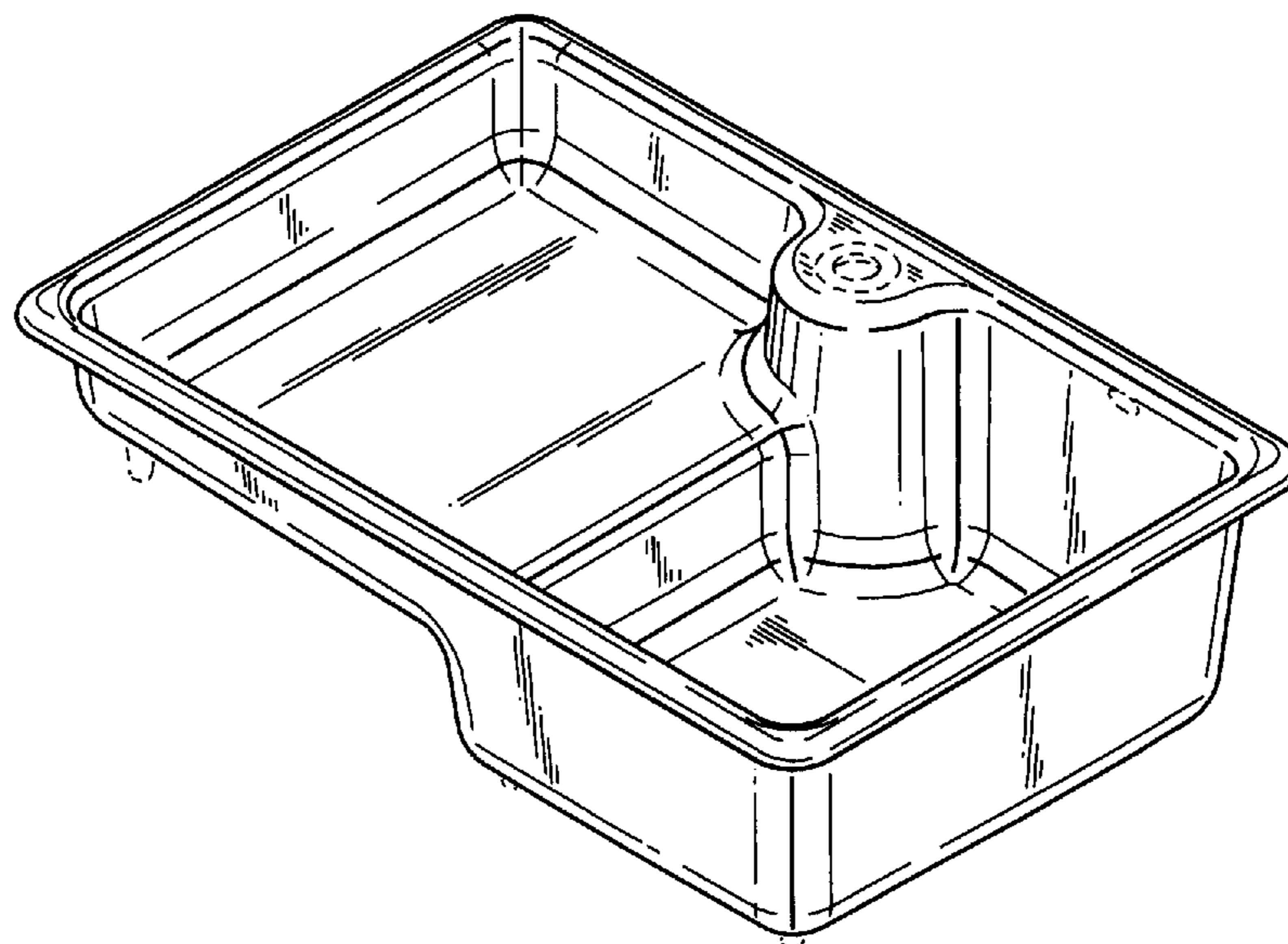
FIG. 6 is a left side elevational view thereof;

FIG. 7 is a bottom plan view thereof; and,

FIG. 8 a left, top, front perspective view of a sink according to another embodiment of my design, the top plan view, the front, rear, right side, and left side elevational views, and the bottom plan view thereof being mirror images of the views shown in FIGS. 2-7, respectively.

The broken line representations in the figures are for the purpose of illustration only, and form no part of the claimed design.

1 Claim, 4 Drawing Sheets



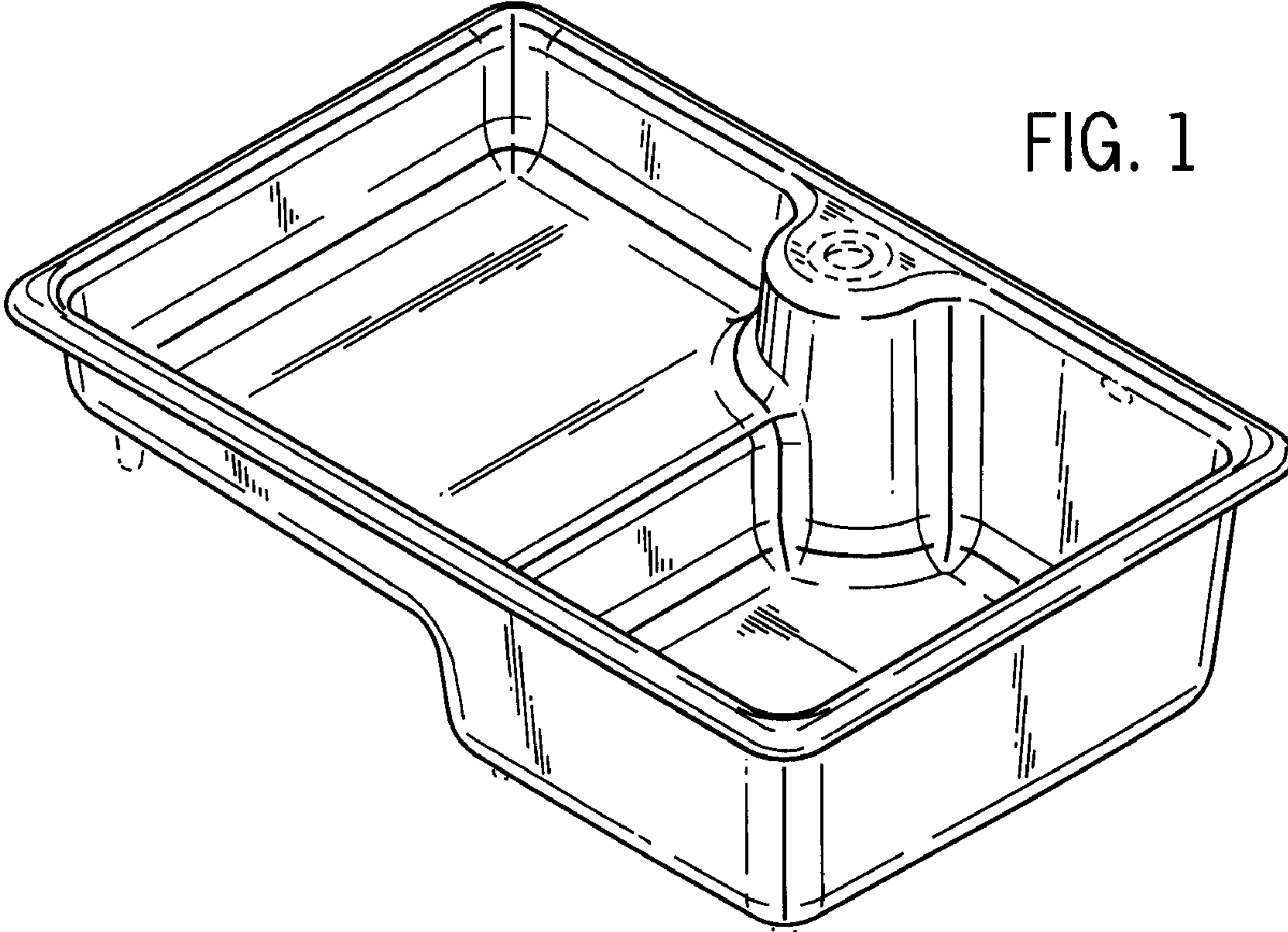


FIG. 1

FIG. 2

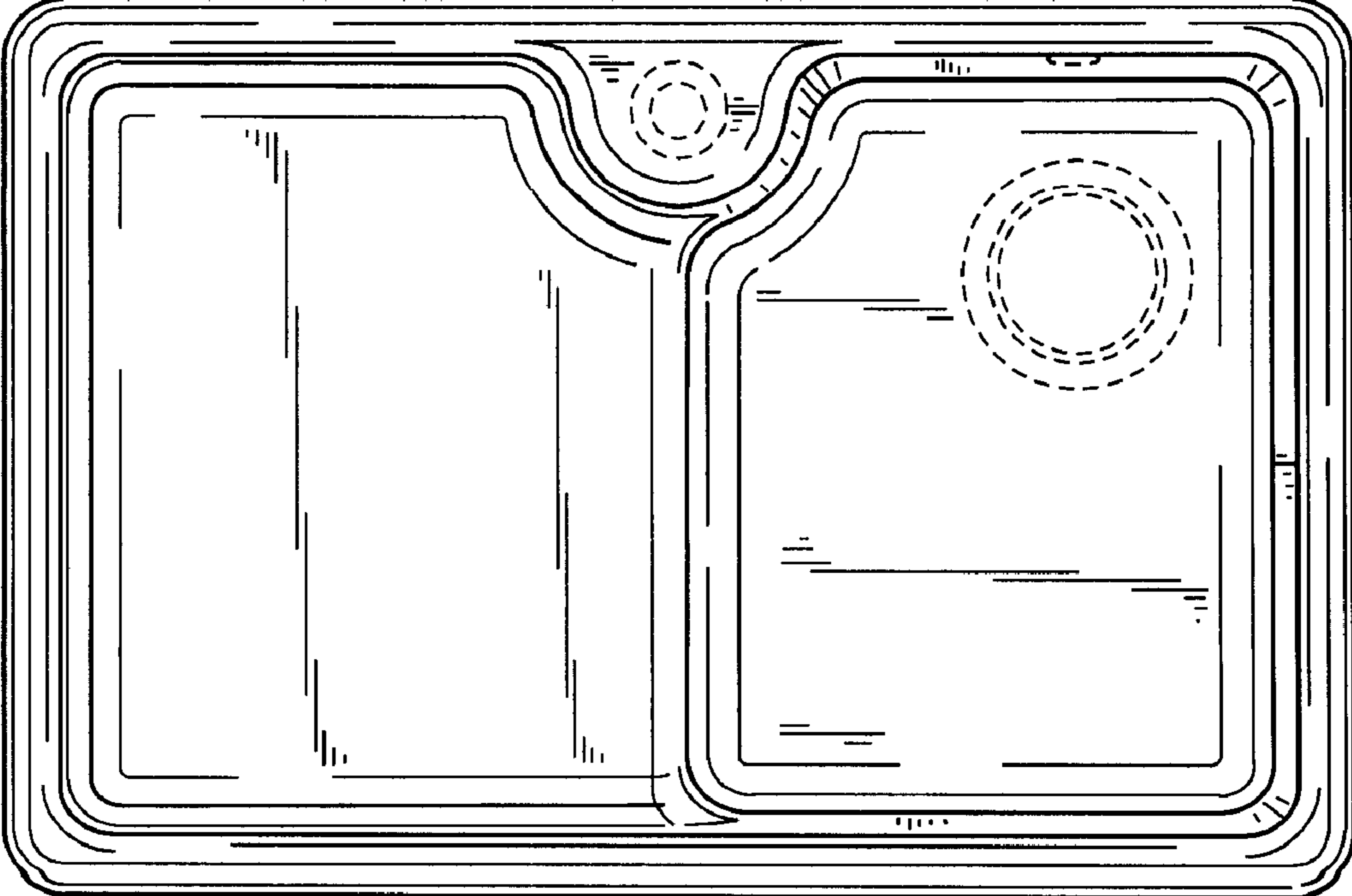


FIG. 3

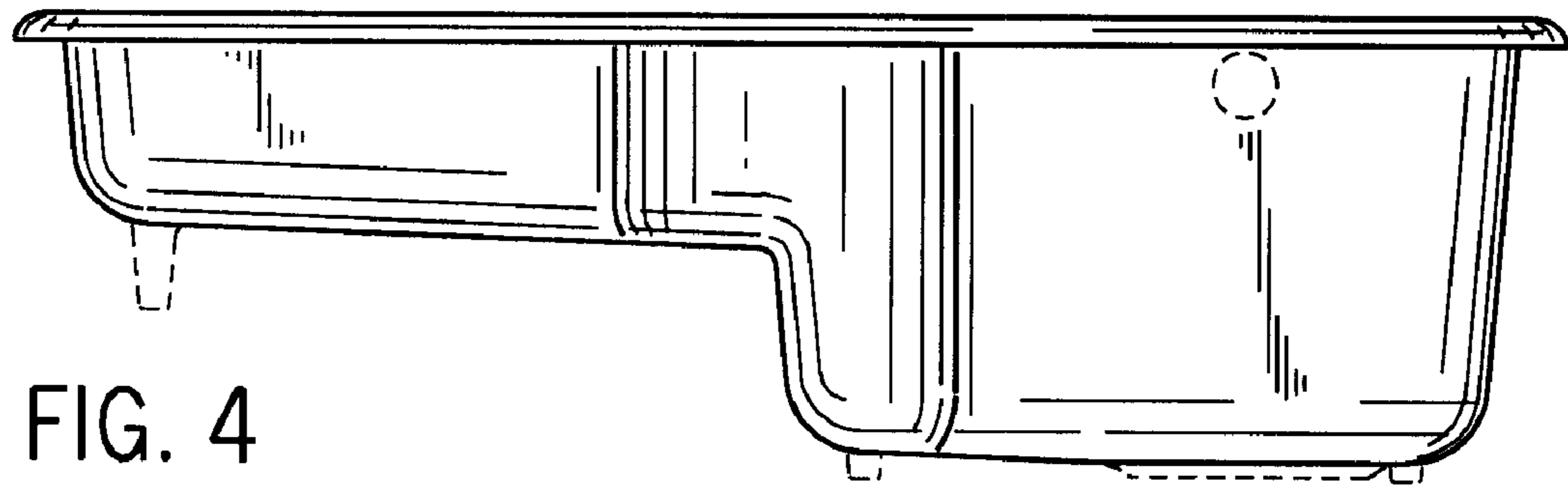
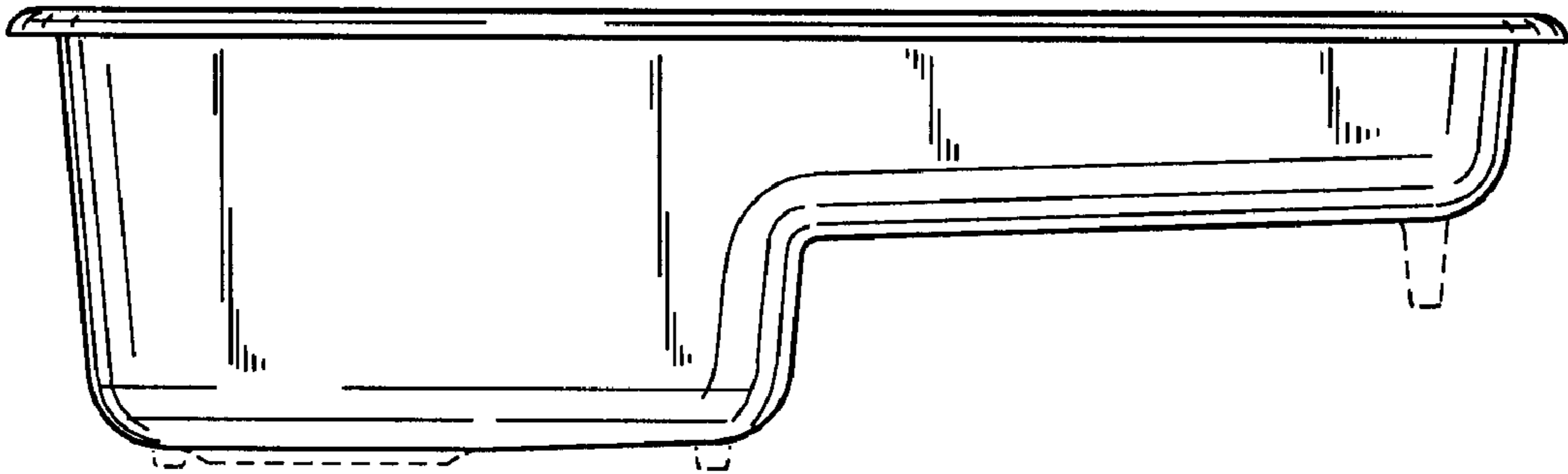


FIG. 4

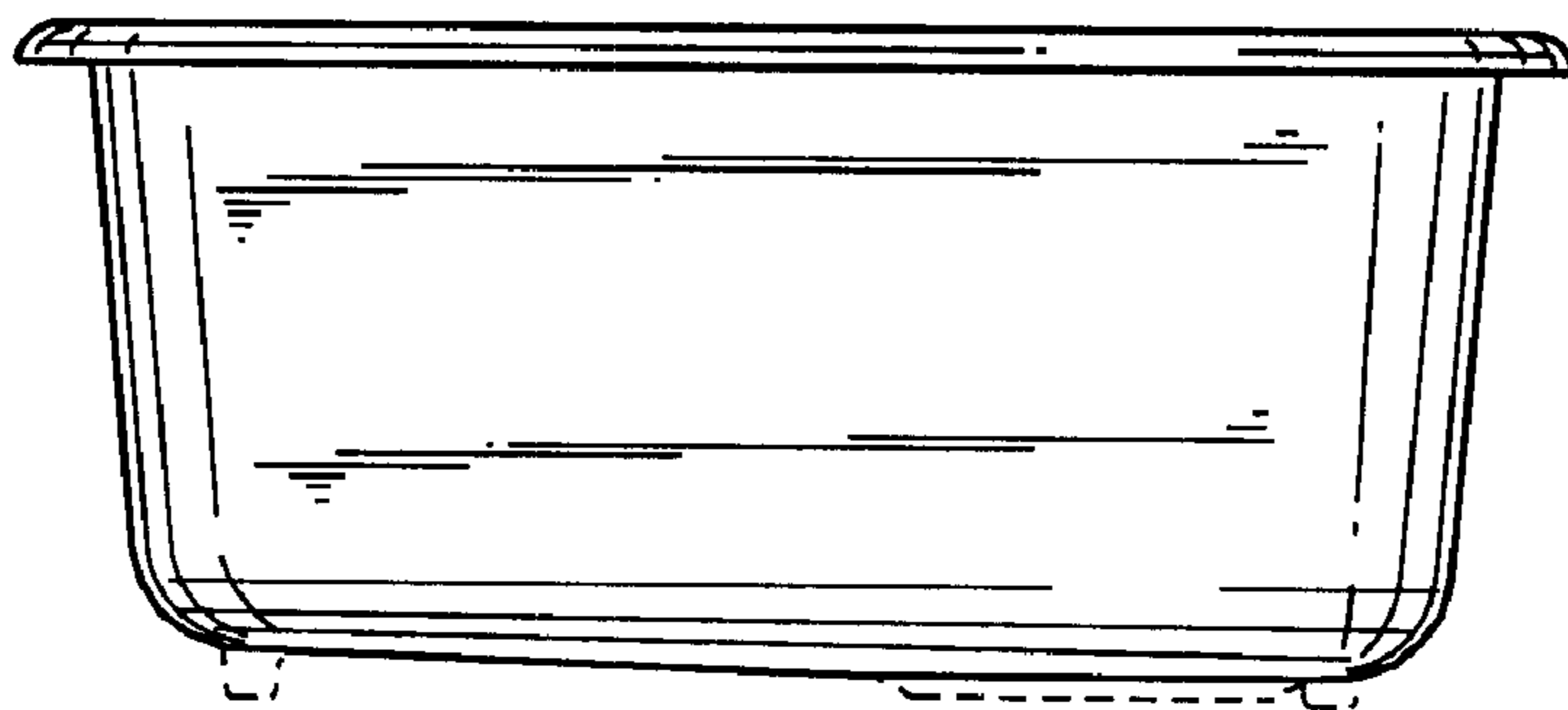


FIG. 5

FIG. 6



FIG. 7

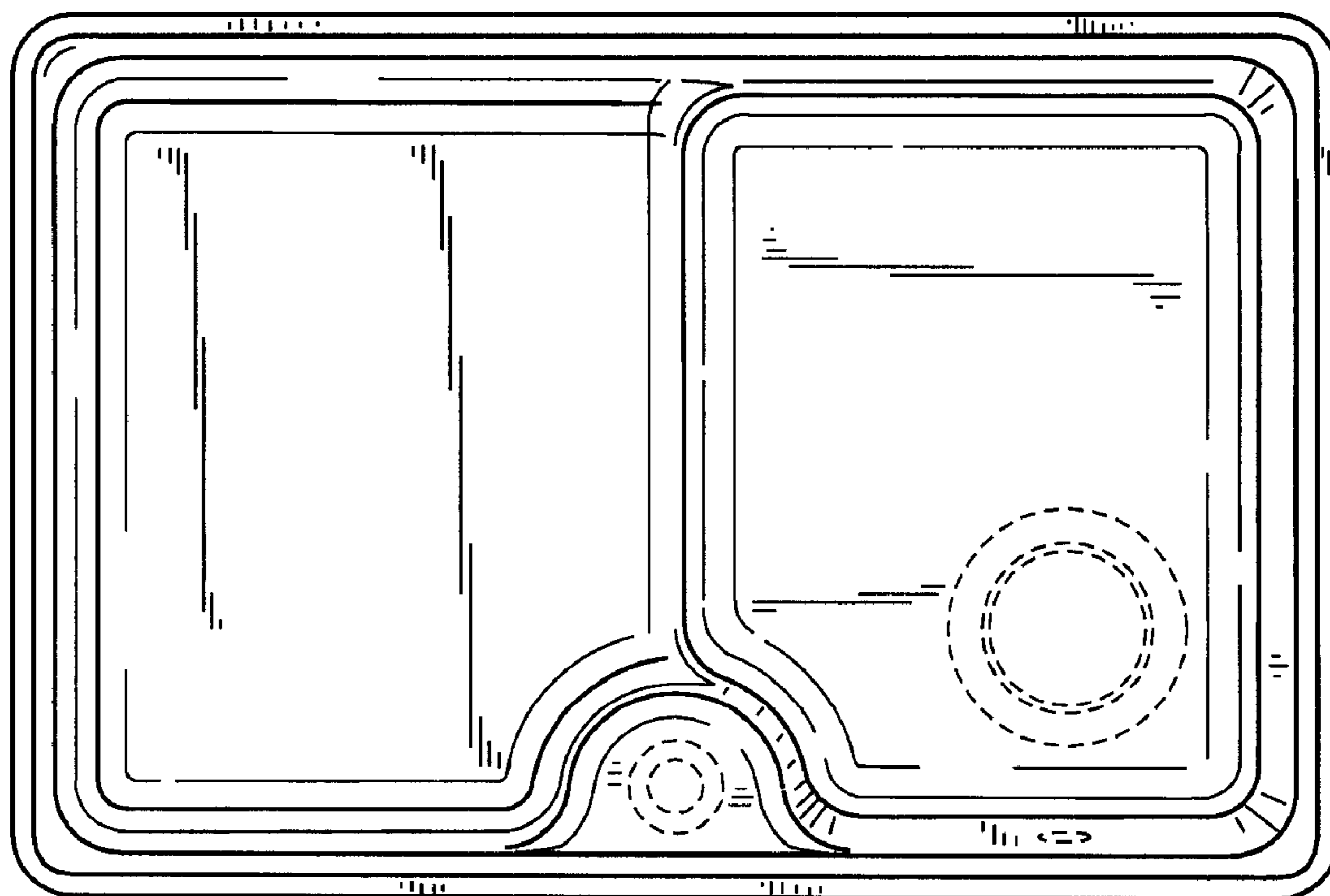


FIG. 8

