



US00D560771S

(12) **United States Design Patent**
Kitzmilller et al.

(10) **Patent No.:** **US D560,771 S**
(45) **Date of Patent:** **** Jan. 29, 2008**

(54) **SINK**

(75) Inventors: **Anne Kitzmilller**, Sheboygan Falls, WI (US); **Terrence K. Mahon**, Whitefish Bay, WI (US)

(73) Assignee: **Kohler Co.**, Kohler, WI (US)

(**) Term: **14 Years**

(21) Appl. No.: **29/249,960**

(22) Filed: **Oct. 27, 2006**

(51) **LOC (8) Cl.** **23-02**

(52) **U.S. Cl.** **D23/284**

(58) **Field of Classification Search** D23/271–274,
D23/284–293.1, 303, 308; 4/619, 624, 661
See application file for complete search history.

(56) **References Cited**

U.S. PATENT DOCUMENTS

| | | |
|-------------|---------|--------------|
| 1,741,606 A | 12/1929 | Bean |
| 2,262,093 A | 11/1941 | Burman |
| D230,402 S | 2/1974 | Graning, Jr. |
| D260,924 S | 9/1981 | Hurray |
| D262,485 S | 12/1981 | Wissinger |
| D463,538 S | 9/2002 | Chipperfield |
| D464,330 S | 10/2002 | Zarker |
| D464,715 S | 10/2002 | Zarker |
| D464,791 S | 10/2002 | Bayer et al. |

OTHER PUBLICATIONS

ASB American Shower and Bath. Drop-In Utility Sink. No copyright information available.
Stratinor SAS. Sink. Registration No. 96 1639. Publication No. 436 666 a 436 671. Filed Mar. 15, 1996.
Peachtree Forge. "Blakely" sink. Model No. PF12. Copyright 1994-2006. Powered by Decorative Product Source, Inc.

Primary Examiner—Robert A. Delehanty
(74) *Attorney, Agent, or Firm*—Quarles & Brady LLP

(57) **CLAIM**

The ornamental design for a sink, as shown and described.

DESCRIPTION

In a preferred embodiment, the nature of this product is as a plumbing fixture primarily useful for washing various objects.

FIG. 1 is a left, top, front perspective view of a sink according to our new design;

FIG. 2 is a top plan view thereof;

FIG. 3 is a front elevational view thereof;

FIG. 4 is a left side elevational view thereof;

FIG. 5 is a right side elevational view thereof;

FIG. 6 is a rear elevational view thereof;

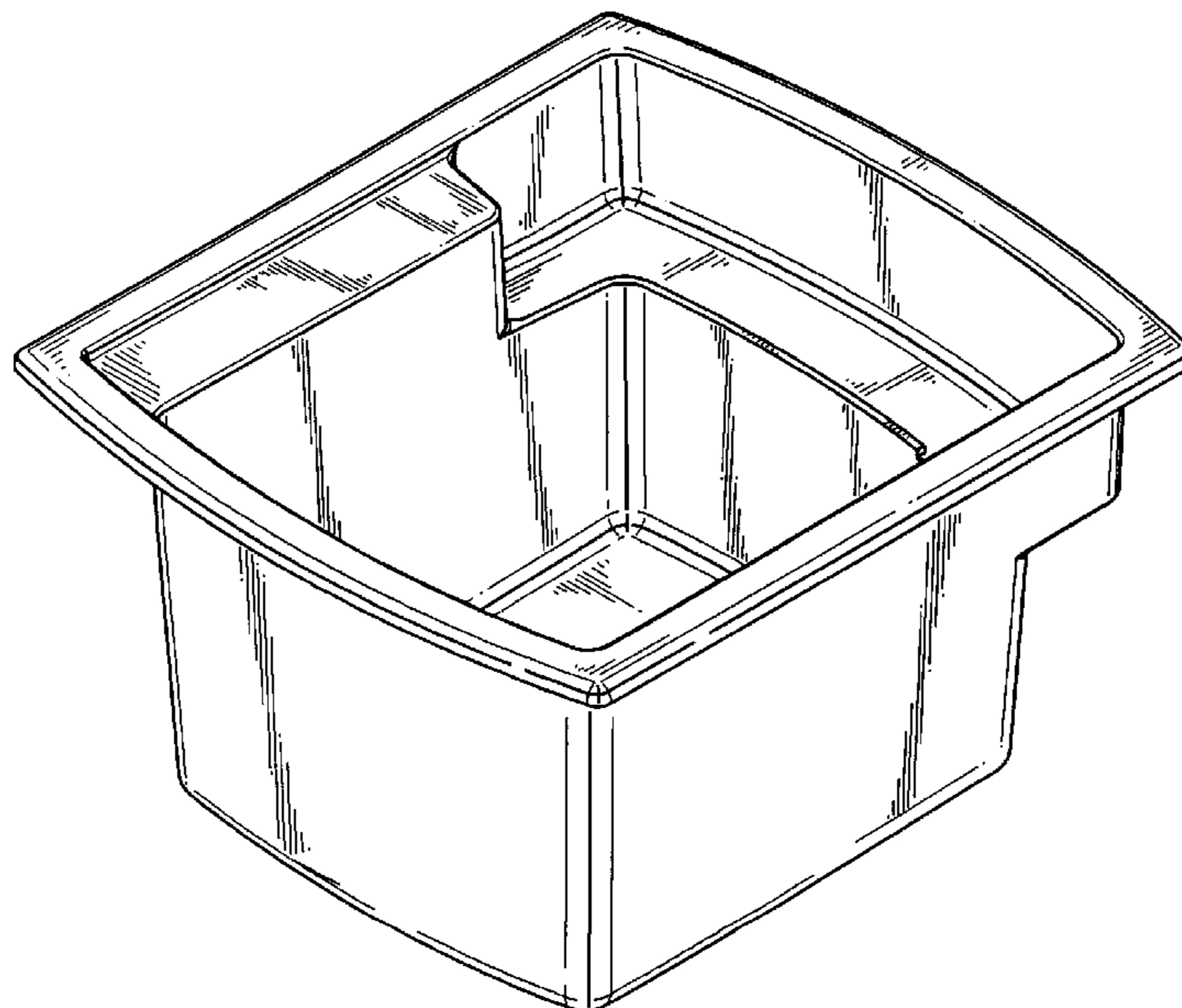
FIG. 7 is a bottom plan view thereof;

FIG. 8 is a partial sectional view taken along line 8—8 of FIG. 2; and,

FIG. 9 a right, top, front perspective view of a sink according to another embodiment of our design, the top plan view, front elevational view, left side elevational view, right side elevational view, rear elevational view, and bottom plan view thereof being mirror images of the views shown in FIGS. 2–7, respectively.

The broken line representations of drain structure in FIGS. 2 and 7, and of understructure in FIGS. 3–7 are for the purpose of illustration only, and form no part of the claimed design.

1 Claim, 6 Drawing Sheets



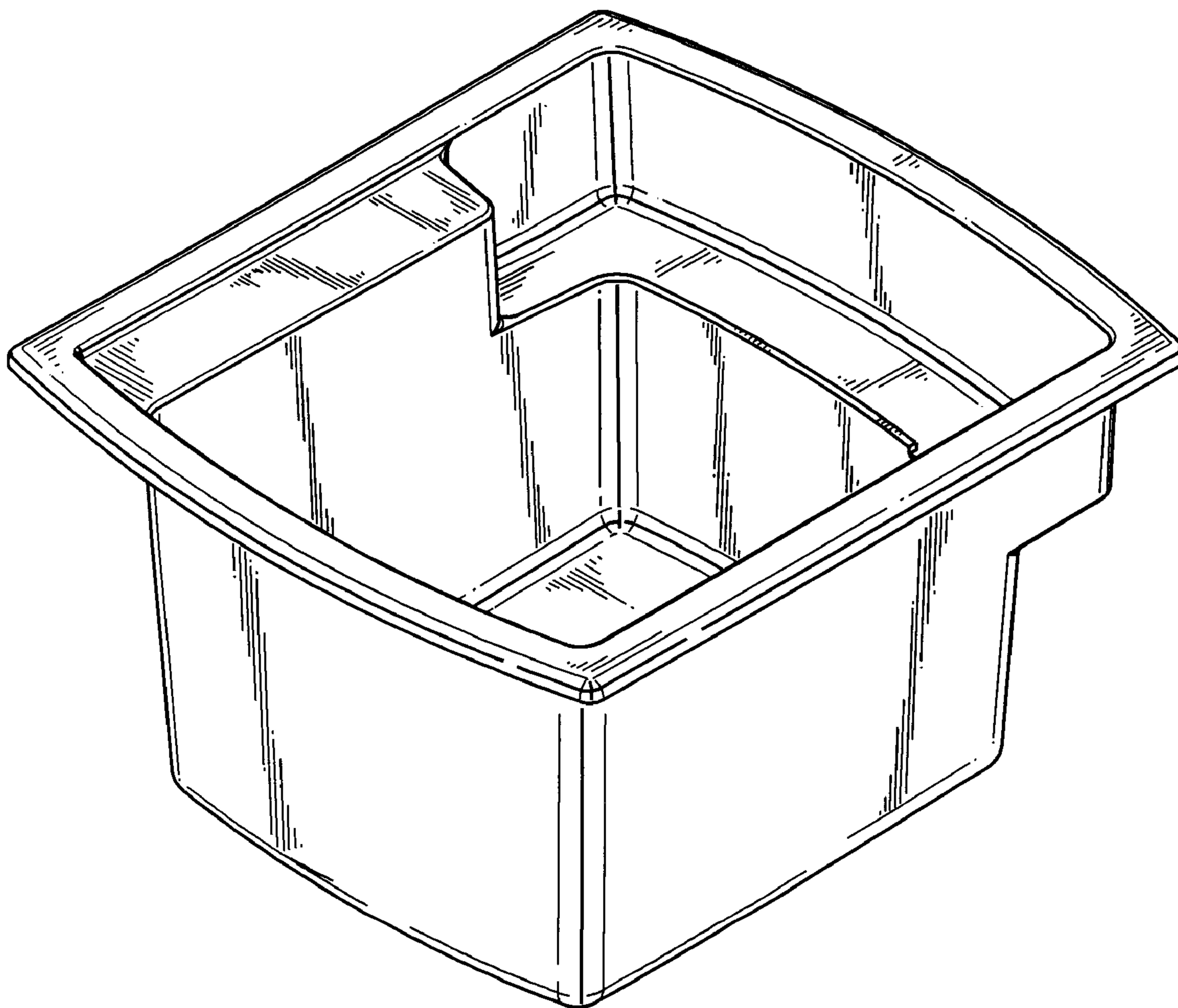


FIG. 1

FIG. 2

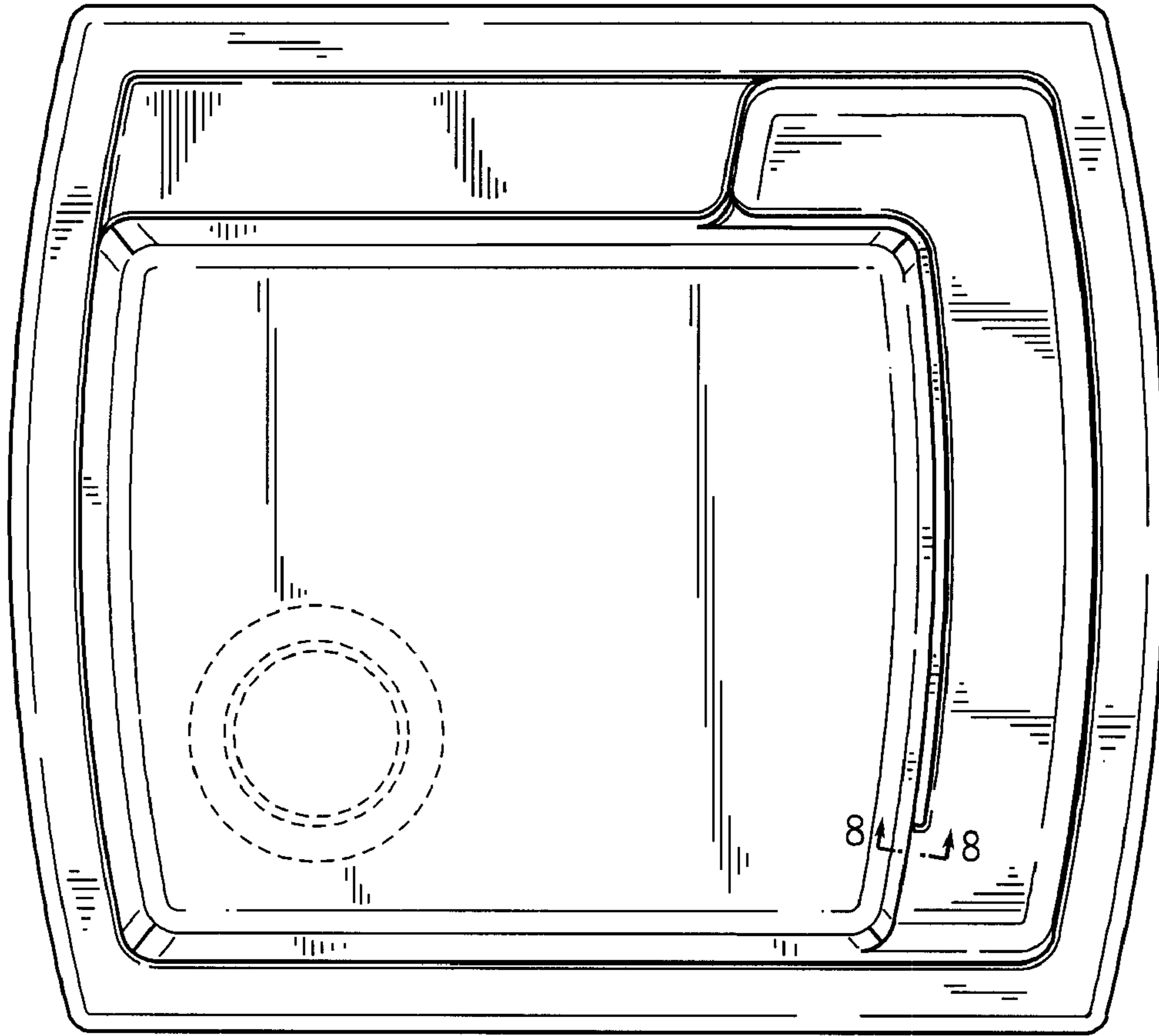


FIG. 3

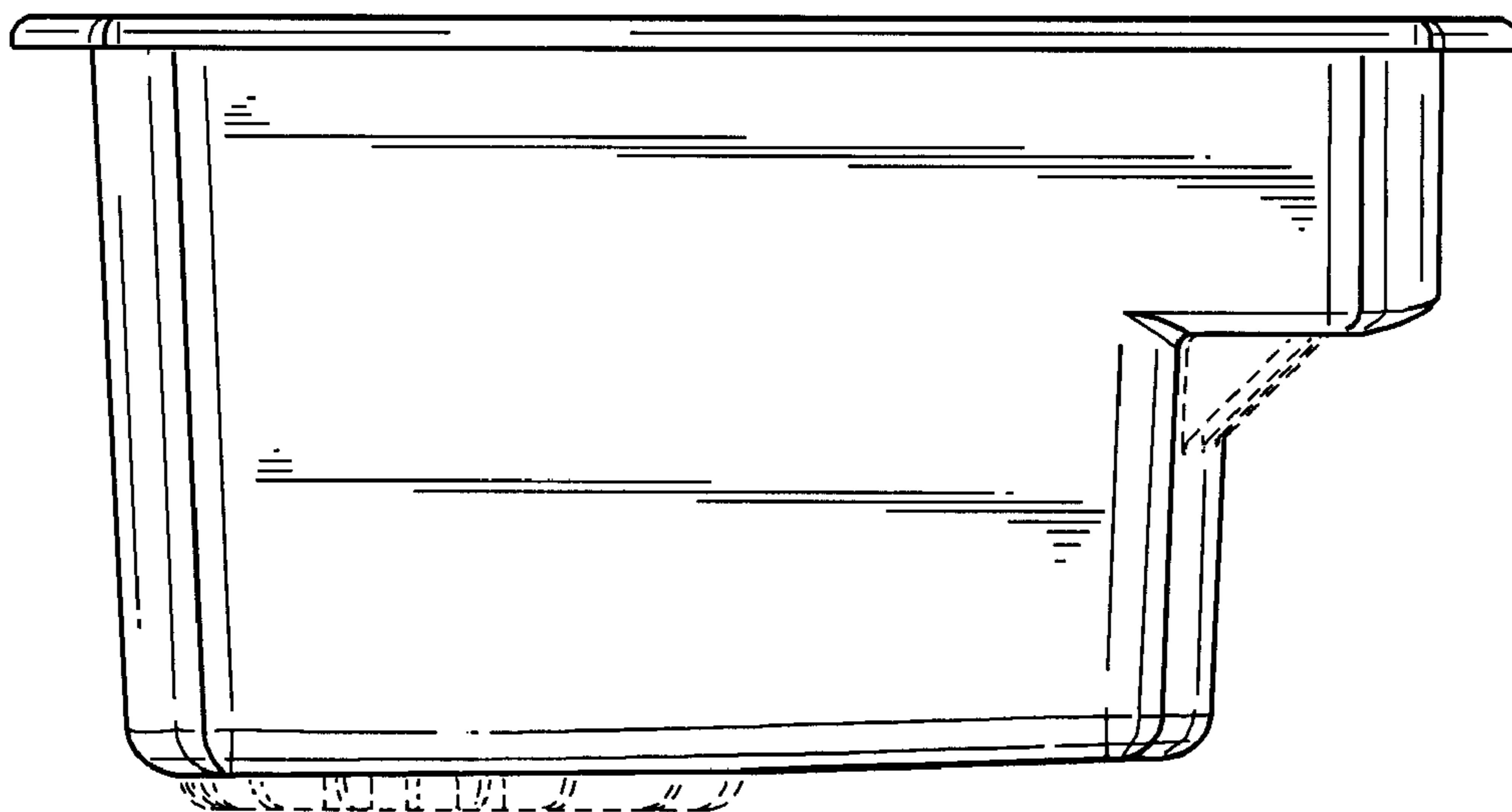


FIG. 4

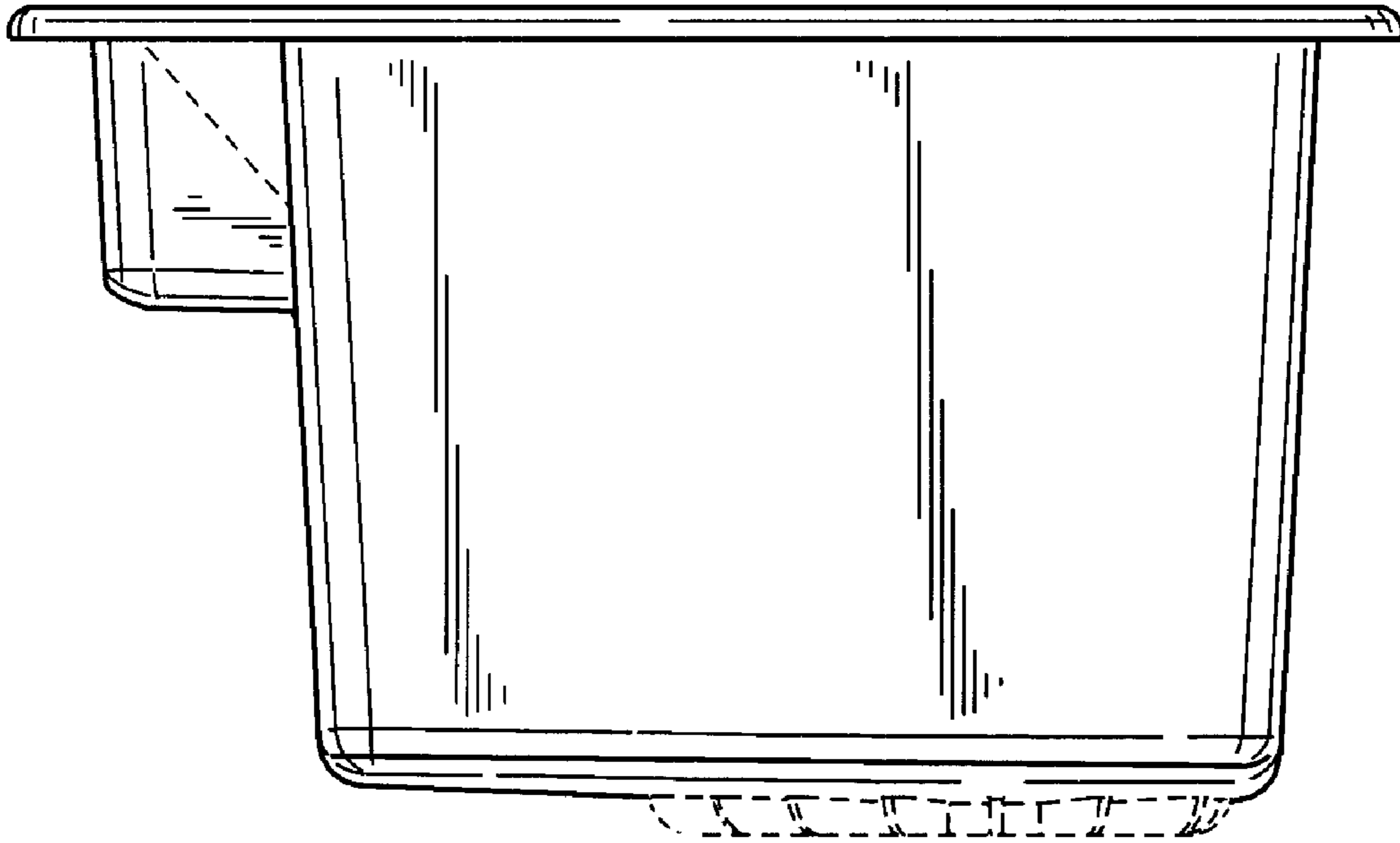


FIG. 5

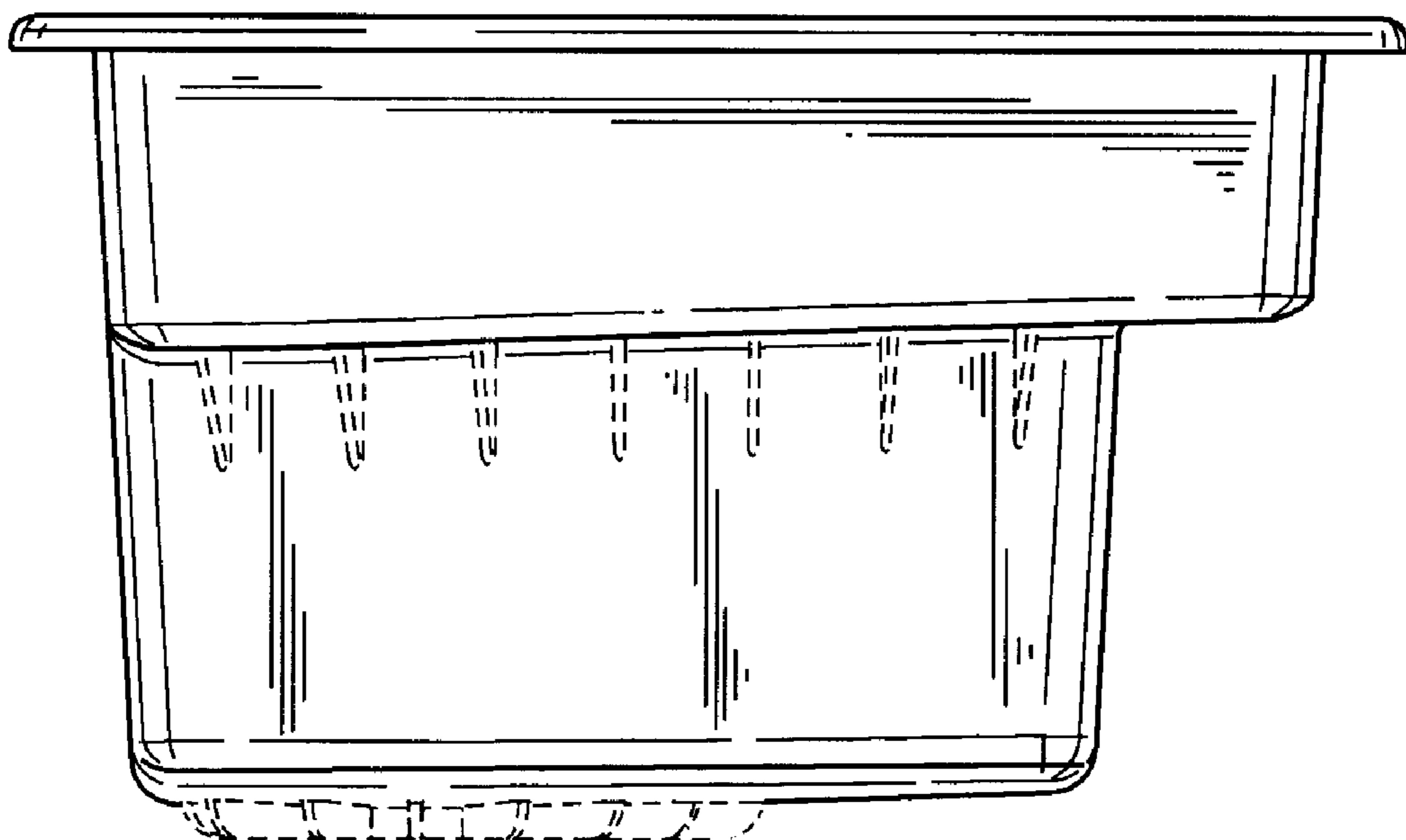


FIG. 6

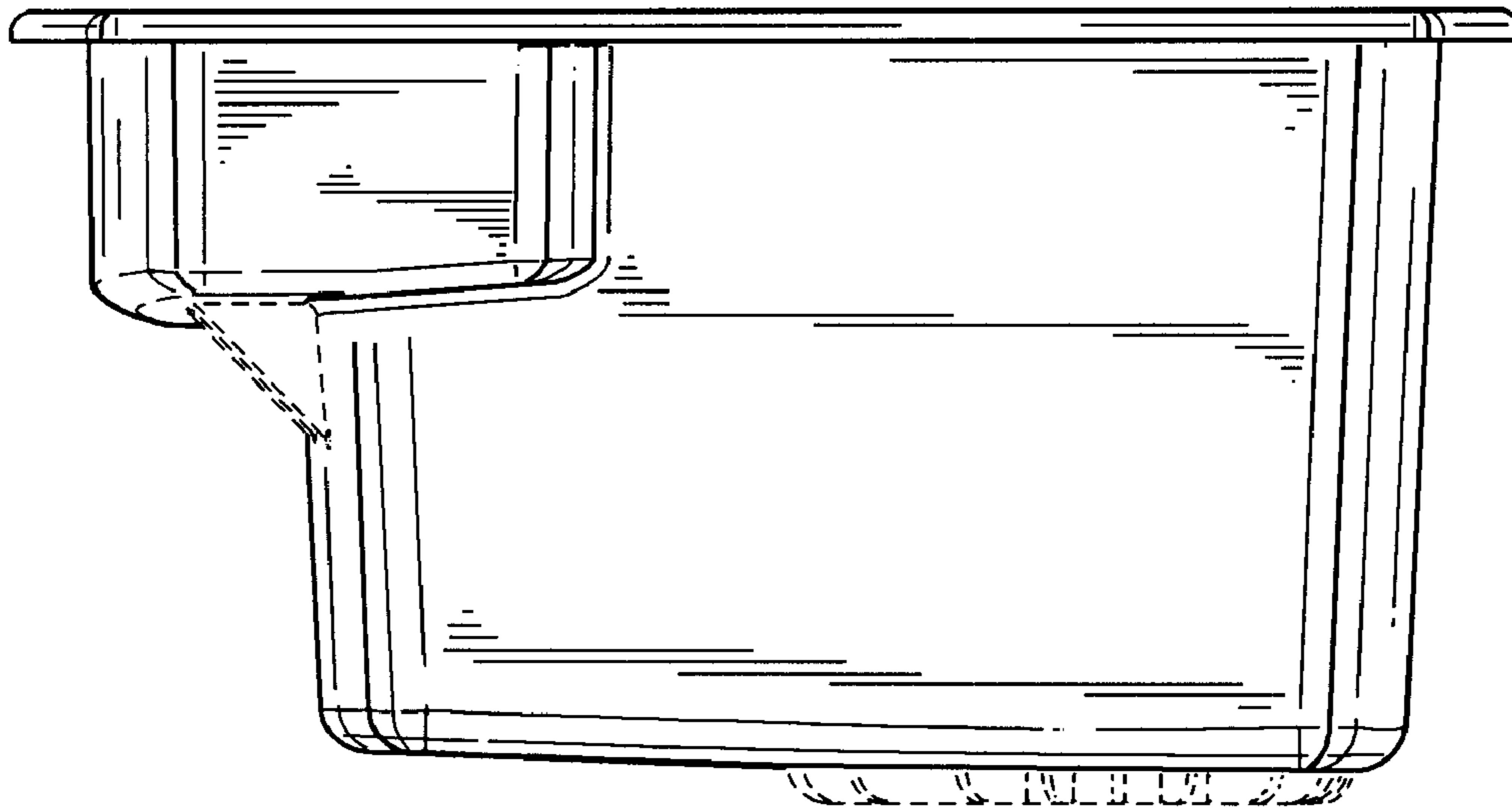
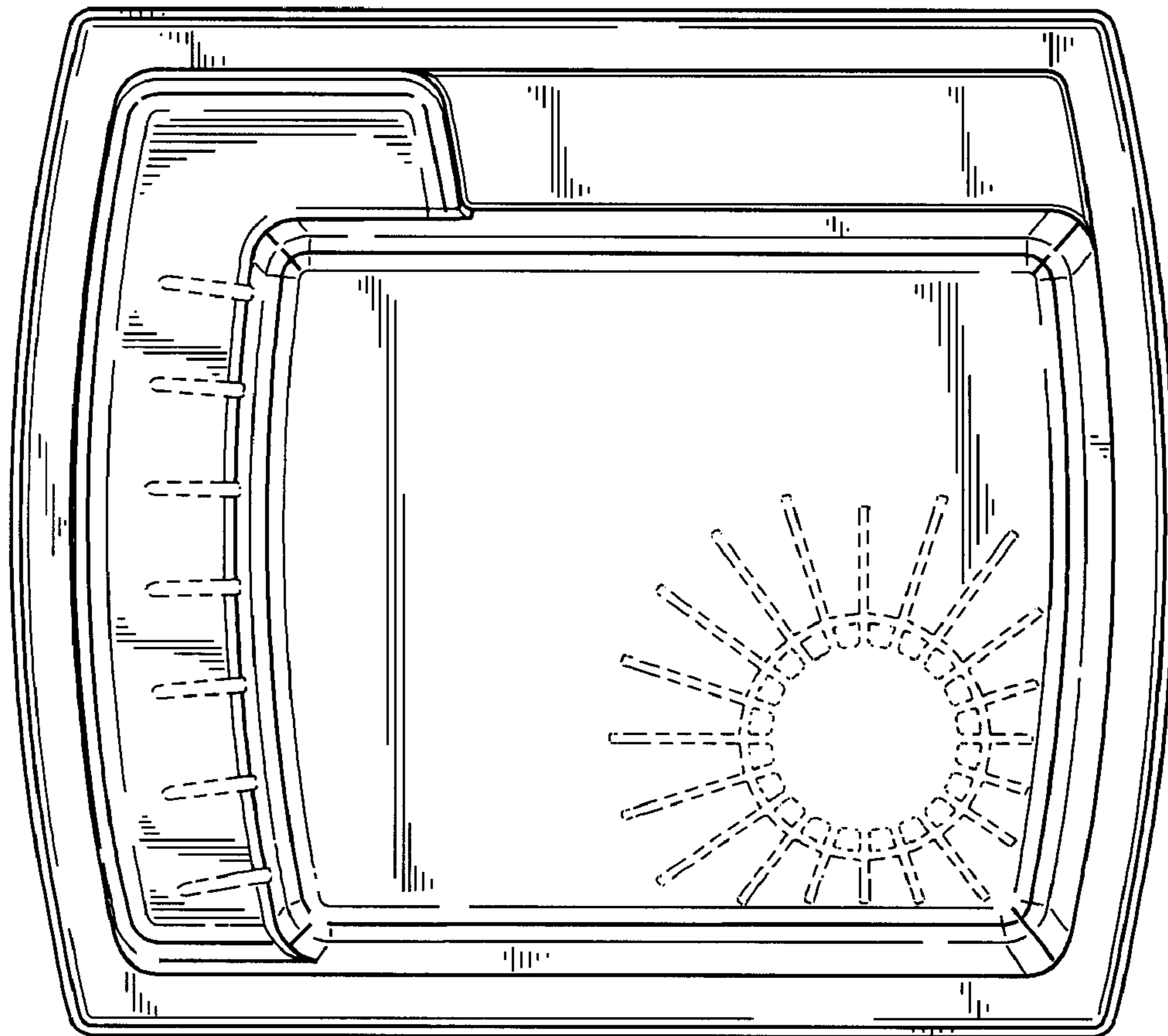


FIG. 7



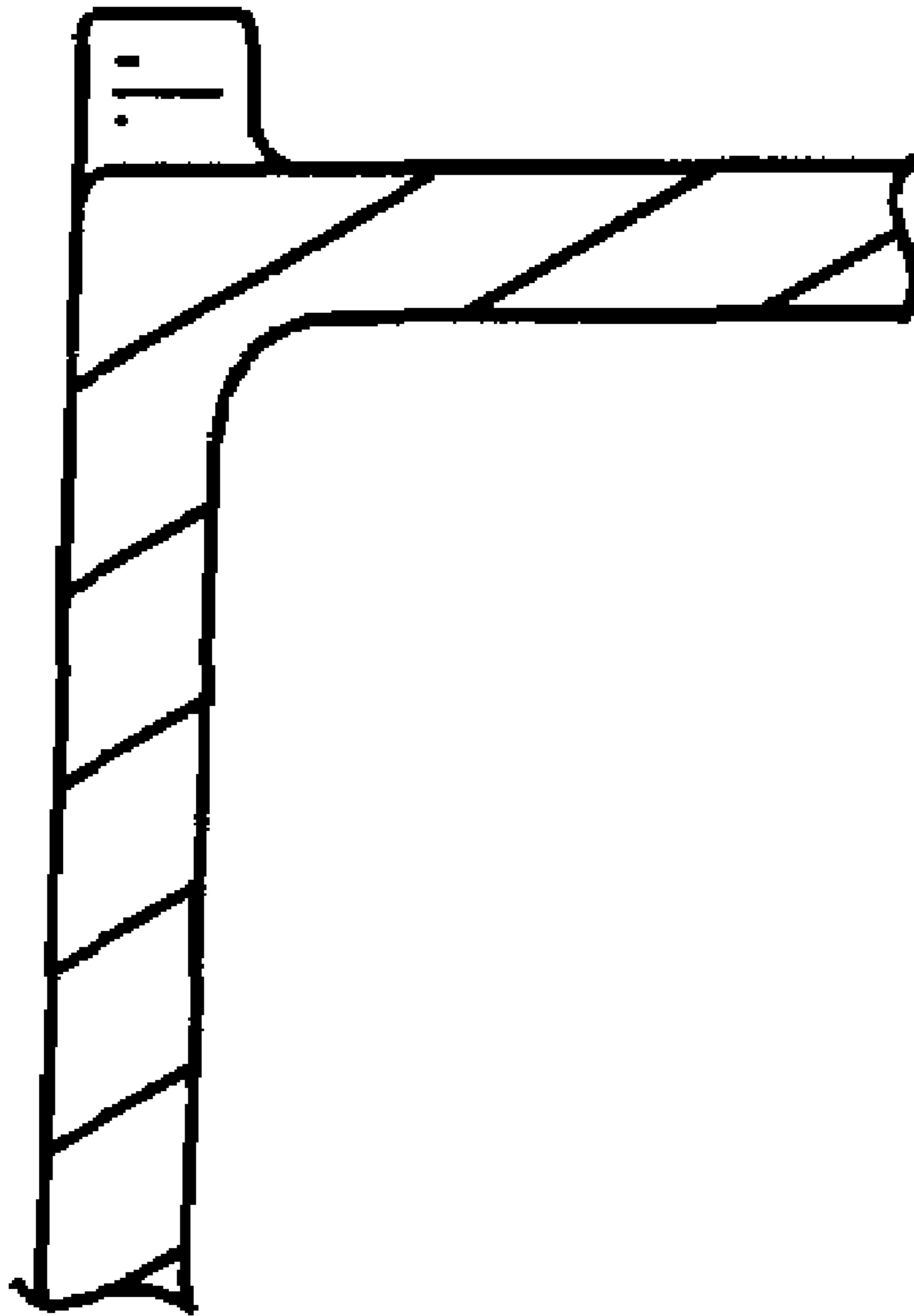


FIG. 8

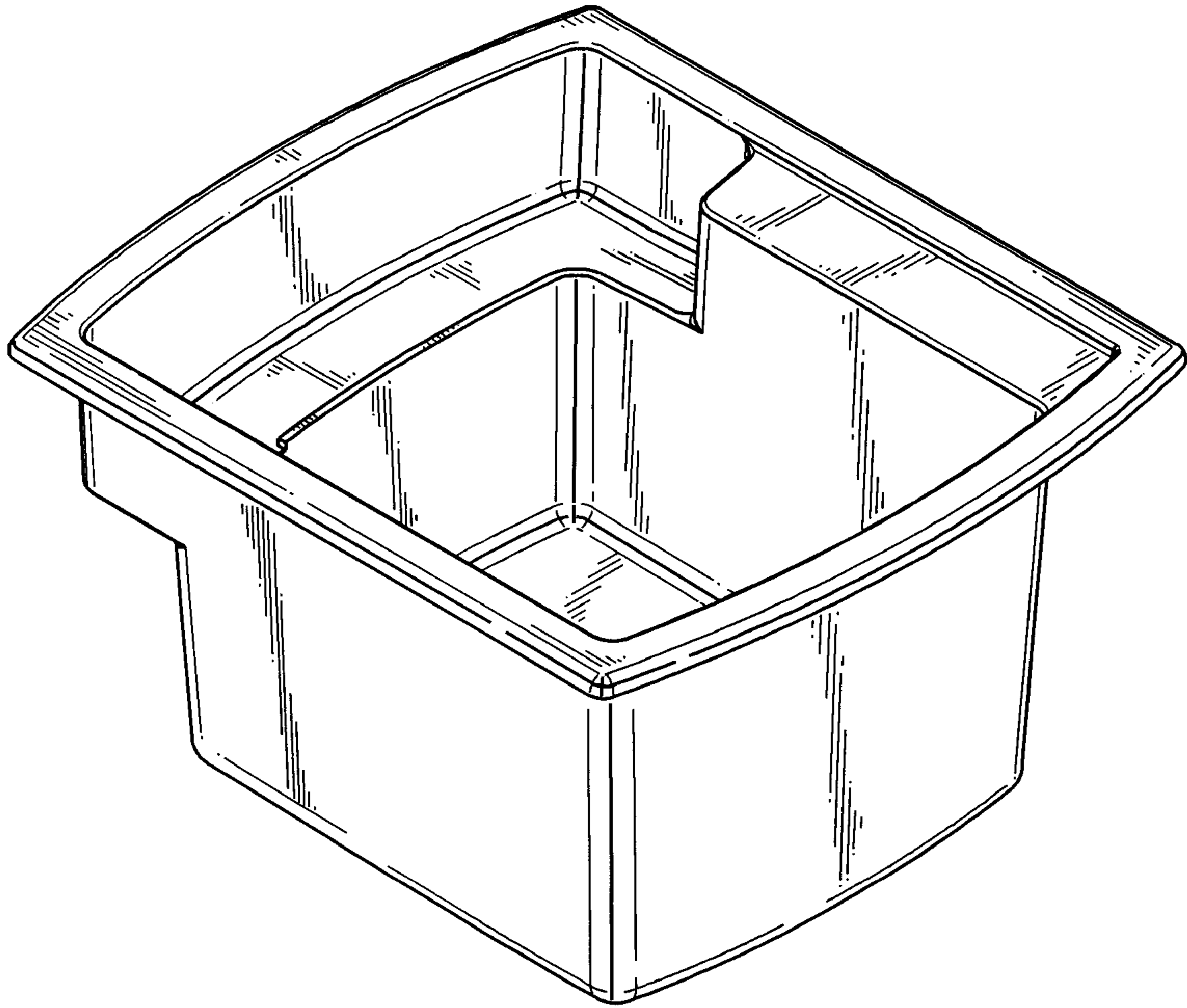


FIG. 9