



US00D560769S

(12) **United States Design Patent**
Breymaier et al.

(10) **Patent No.:** **US D560,769 S**

(45) **Date of Patent:** **** Jan. 29, 2008**

(54) **SHOWER SURROUND**

(75) Inventors: **Robert S. Breymaier**, Adamsville, TN (US); **Cassidy D. Spaulding**, Bethel Springs, TN (US); **Bren Thomas**, Savannah, TN (US); **Larry W. Higgins**, Adamsville, TN (US)

(73) Assignee: **Aqua Glass Corporation**, Adamsville, TN (US)

(**) Term: **14 Years**

(21) Appl. No.: **29/285,514**

(22) Filed: **Mar. 30, 2007**

(51) **LOC (8) Cl.** **23-02**

(52) **U.S. Cl.** **D23/283**

(58) **Field of Classification Search** D23/271,
D23/273, 275, 277, 280.1, 283, 303-306;
4/546, 538, 552, 596-597, 612-614, 661;
D24/204-205

See application file for complete search history.

(56) **References Cited**

U.S. PATENT DOCUMENTS

D215,290 S * 9/1969 Seymour D23/283

D365,385 S * 12/1995 Hunger et al. D23/283
D405,873 S * 2/1999 Funk et al. D23/283
D525,690 S * 7/2006 Helmetsie D23/304

* cited by examiner

Primary Examiner—Robert A. Delehanty

(74) *Attorney, Agent, or Firm*—Nirav D. Parikh; Lloyd D. Doigan

(57) **CLAIM**

An ornamental design for a shower surround, as shown and described.

DESCRIPTION

FIG. 1 is a top front perspective view of the shower surround showing our new design;

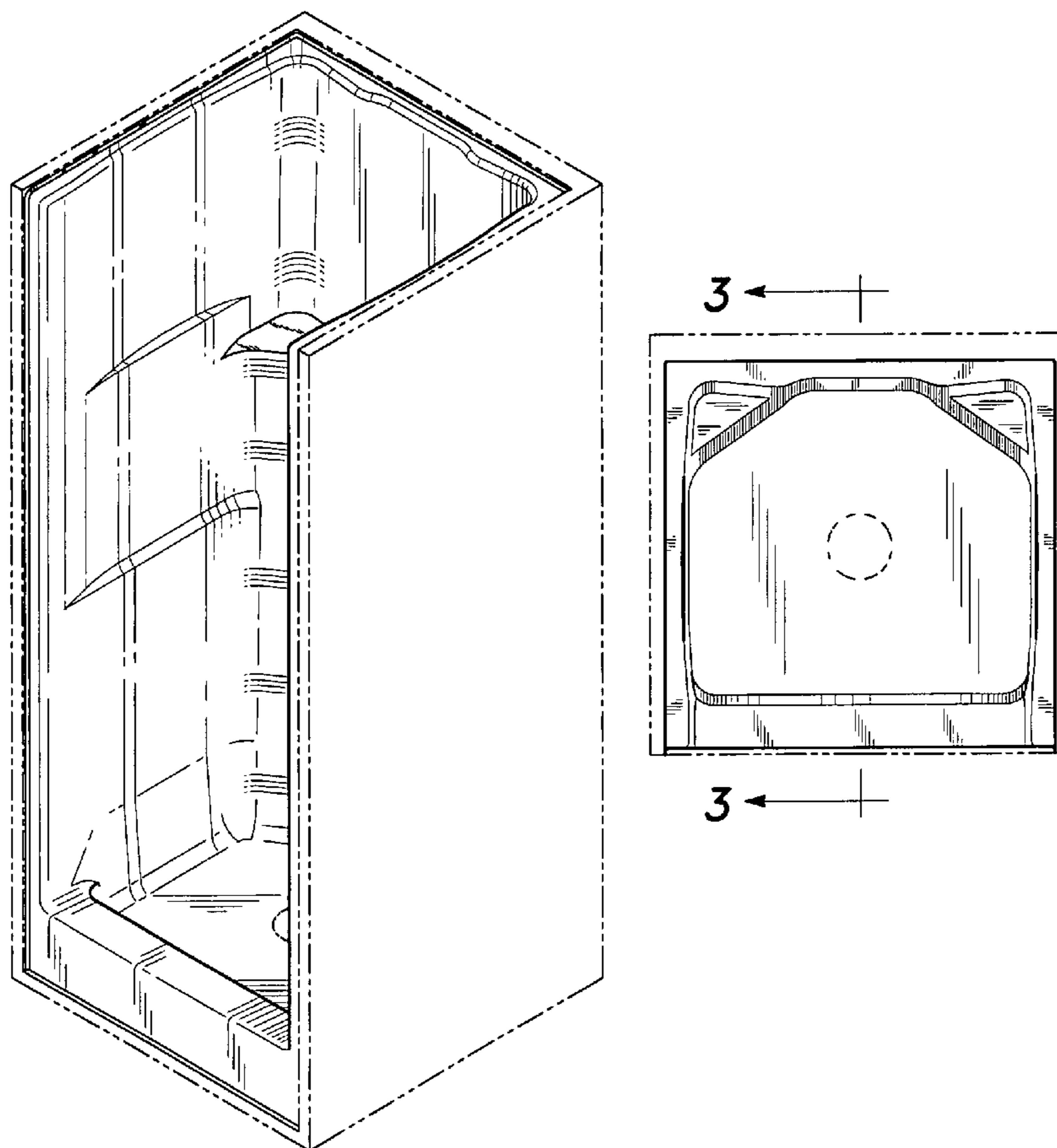
FIG. 2 is a top plan view thereof;

FIG. 3 is a front elevational view thereof; and,

FIG. 4 is a side view thereof.

The broken lines showing of a plumbing drain is for illustrative purposes only and forms no part of the claimed design.

1 Claim, 3 Drawing Sheets



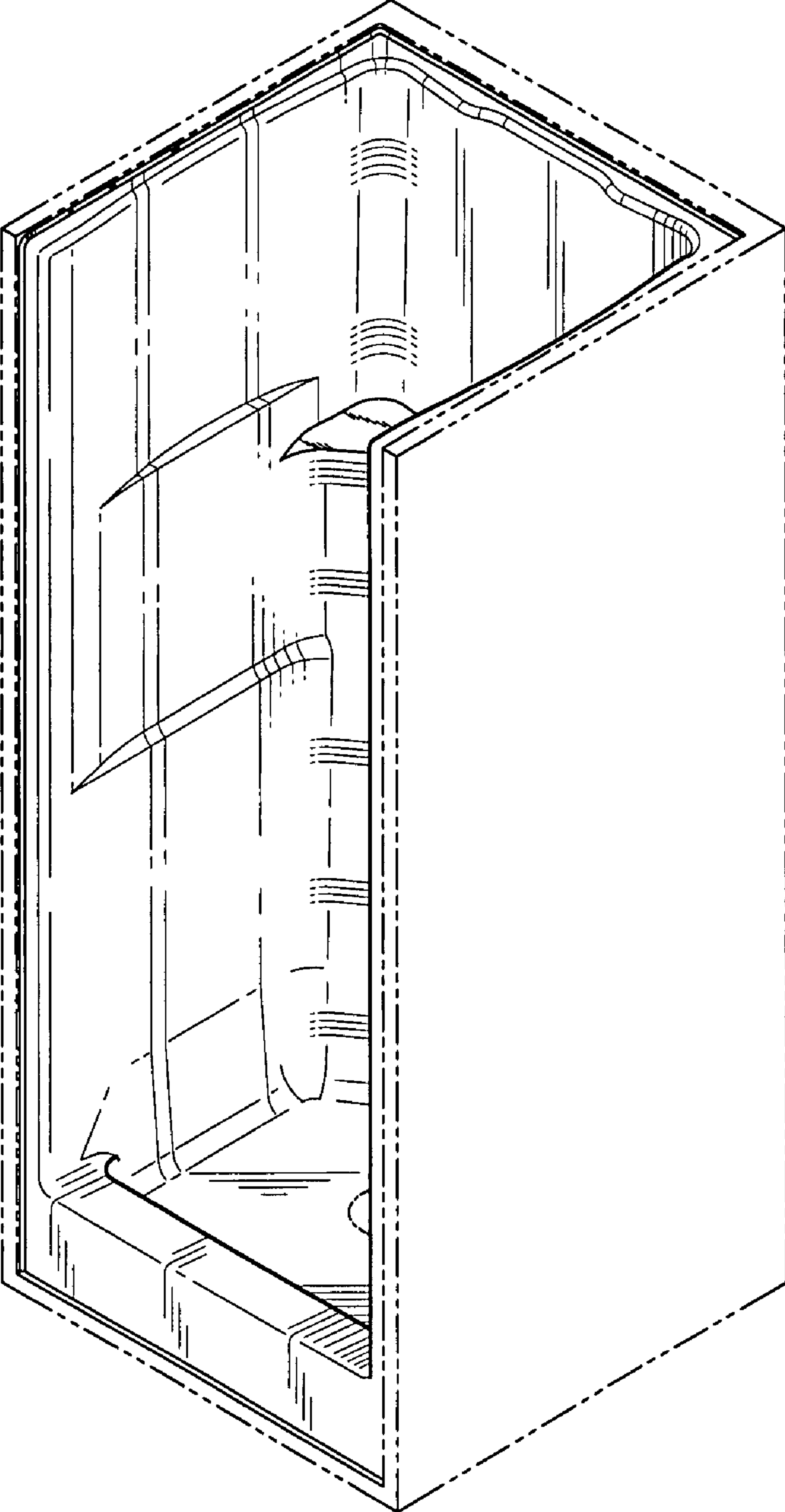


Fig-1

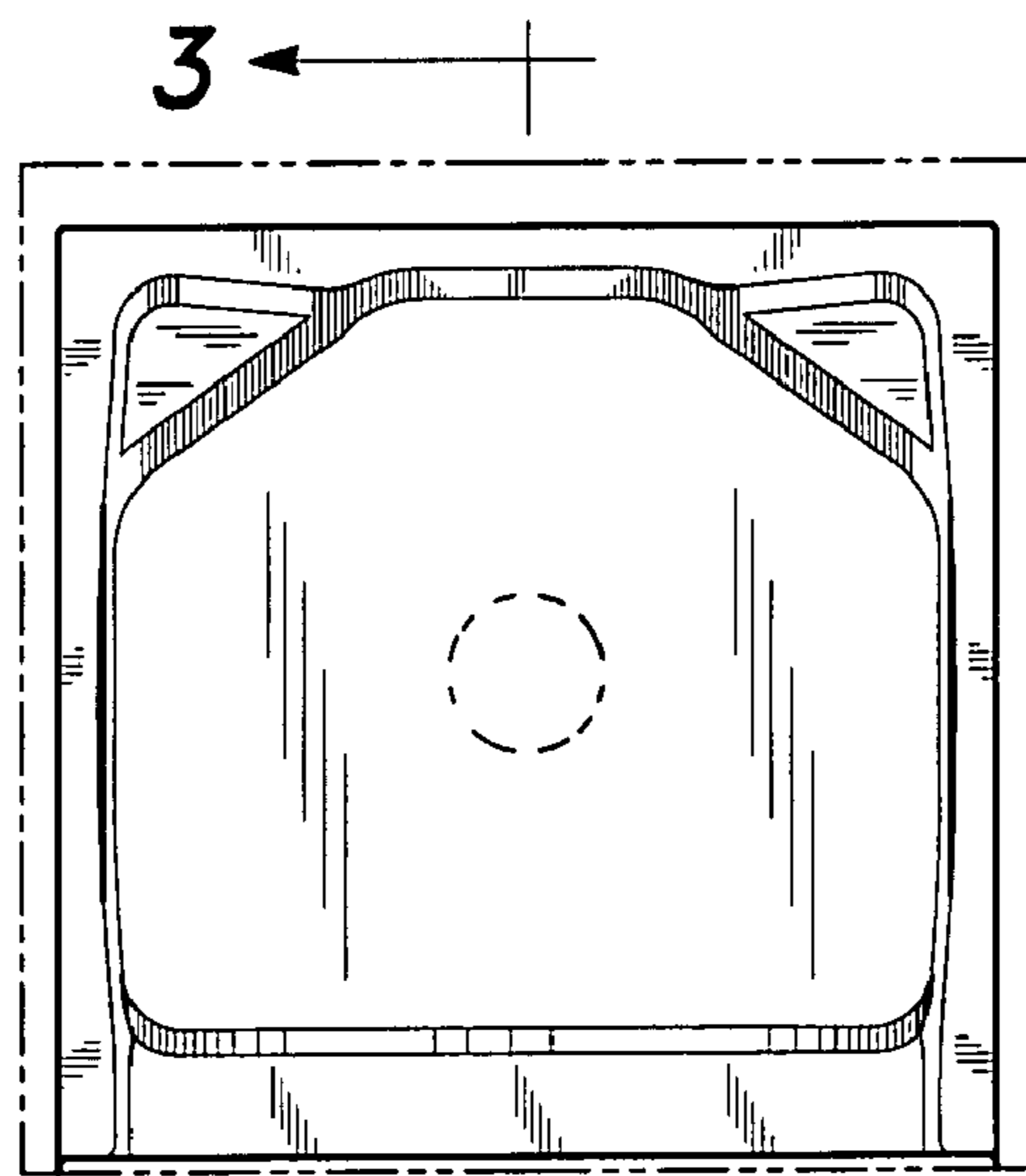


Fig-2

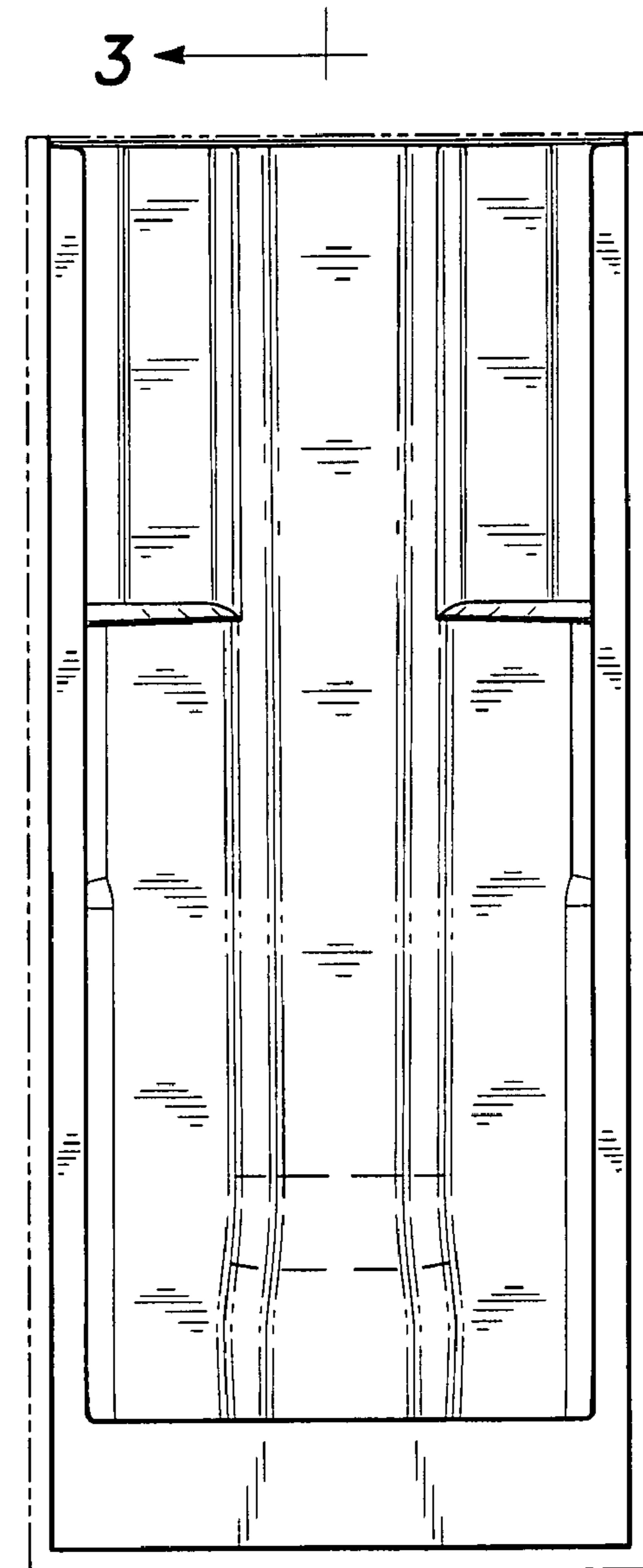


Fig-3

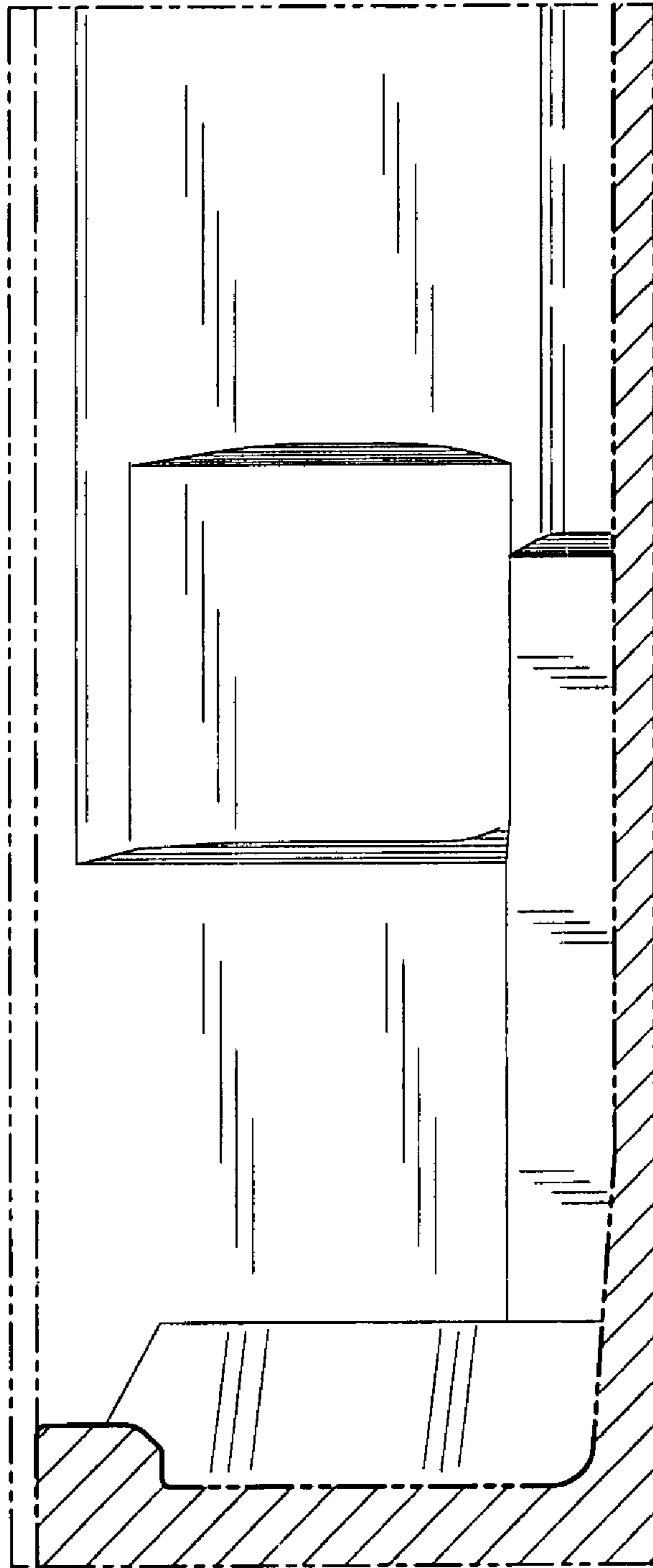


Fig-4