



US00D560768S

(12) **United States Design Patent**  
**Smith**

(10) **Patent No.:** **US D560,768 S**  
(45) **Date of Patent:** **\*\* Jan. 29, 2008**

(54) **TUB FOR BATHING**

(75) Inventor: **Michael S. Smith**, Santa Monica, CA (US)

(73) Assignee: **Kohler Co.**, Kohler, WI (US)

(\*\*) Term: **14 Years**

(21) Appl. No.: **29/279,638**

(22) Filed: **May 4, 2007**

(51) **LOC (8) Cl.** ..... **23-02**

(52) **U.S. Cl.** ..... **D23/280.1**

(58) **Field of Classification Search** ..... D23/273,  
D23/275-280.4, 304-306; D24/204-205;  
4/538, 573.1, 584, 589, 591

See application file for complete search history.

(56) **References Cited**

**U.S. PATENT DOCUMENTS**

D32,712 S	5/1900	Peet	
D444,861 S *	7/2001	Smith	..... D23/277
D484,954 S	1/2004	Painter et al.	
D519,192 S *	4/2006	Kergoet	..... D23/280.1
D527,082 S *	8/2006	Lebrun et al.	..... D23/280.1
D527,083 S *	8/2006	Lebrun et al.	..... D23/280.1

**OTHER PUBLICATIONS**

Kohler Co. "Vintage Bath". Model No.: K-700. Kohler Co. online catalog. Copyright 2007 Kohler Co.  
Clearwater. "Deco 67<sup>3</sup>/<sub>4</sub> x30<sup>1</sup>/<sub>2</sub> x25<sup>3</sup>/<sub>8</sub> Pedestal Tub". BathingBarn.com online catalog. Copyright 2002-2006 Bathing Barn Inc.  
THG. "Heritage Tub". HomePortfolio.com online catalog. Copyright 1997-2007 HomePortfolio.com.

Kohler Co. "Tea for Two—5.5' Bath". Model No.: K-855. Kohler Co. online catalog. Copyright 2007 Kohler Co.

Kohler Co. "Seawall 6' Bath". Model No.: K-868. Kohler Co. online catalog. Copyright 2007 Kohler Co.

\* cited by examiner

*Primary Examiner*—Robert A. Delehanty

(74) *Attorney, Agent, or Firm*—Quarles & Brady LLP

(57) **CLAIM**

The ornamental design for a tub for bathing, as shown and described.

**DESCRIPTION**

In a preferred embodiment, the nature of this product is as a plumbing fixture in the form of a bathing tub primary useful for washing the human body.

FIG. 1 is a right, top, front perspective view of a tub for bathing embodying my new design;

FIG. 2 is a top plan view thereof;

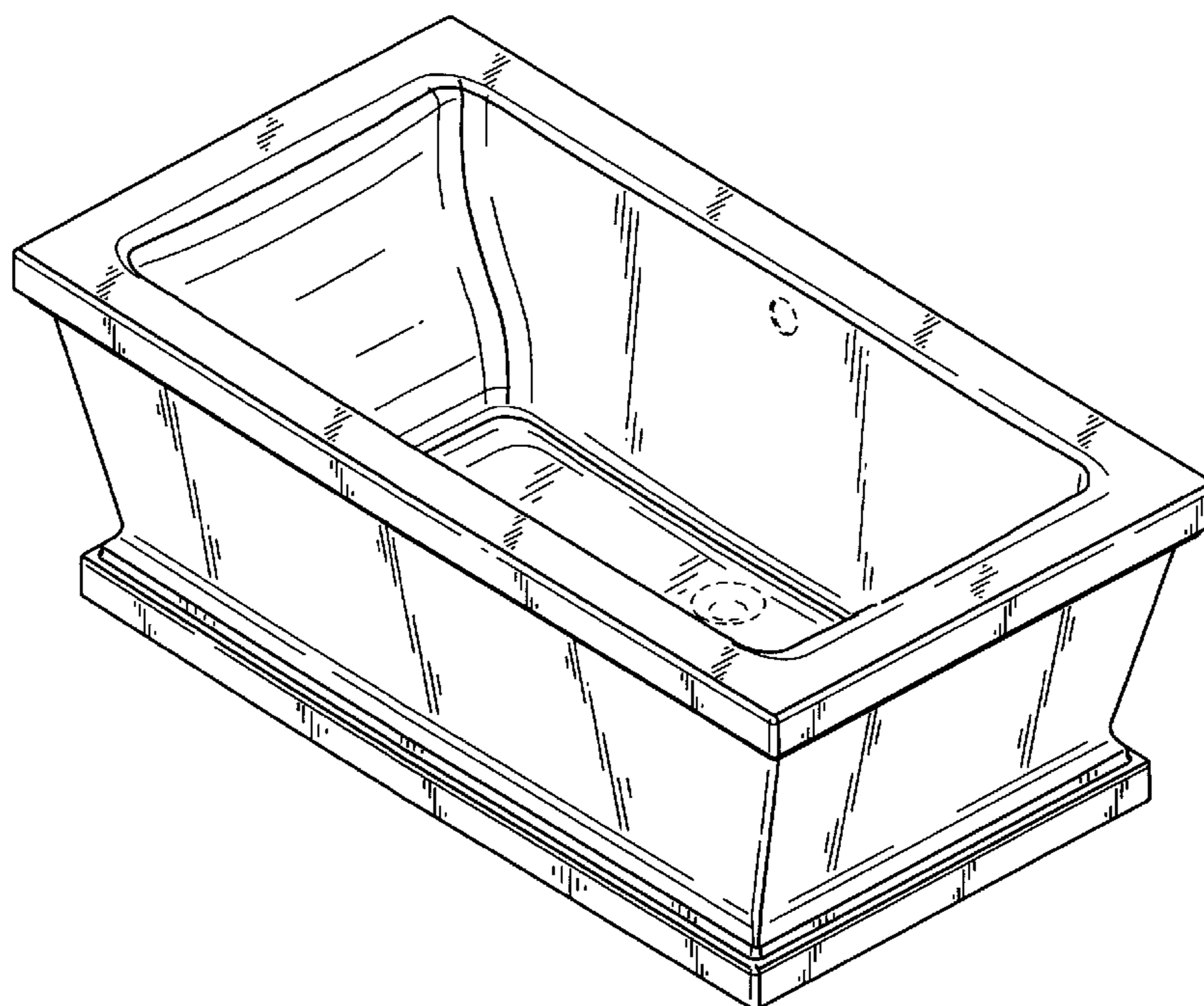
FIG. 3 is a front elevational view thereof, the rear elevational view thereof being a mirror image of the front view shown;

FIG. 4 is a right side elevational view thereof, the left side elevational view thereof being a mirror image of the right side shown; and,

FIG. 5 is a bottom plan view thereof.

The broken line representations of a drain in FIGS. 1, 2 and 5 and of an opening in FIGS. 1 and 2, are for the purpose of illustration only, and form no part of the claimed design.

**1 Claim, 4 Drawing Sheets**



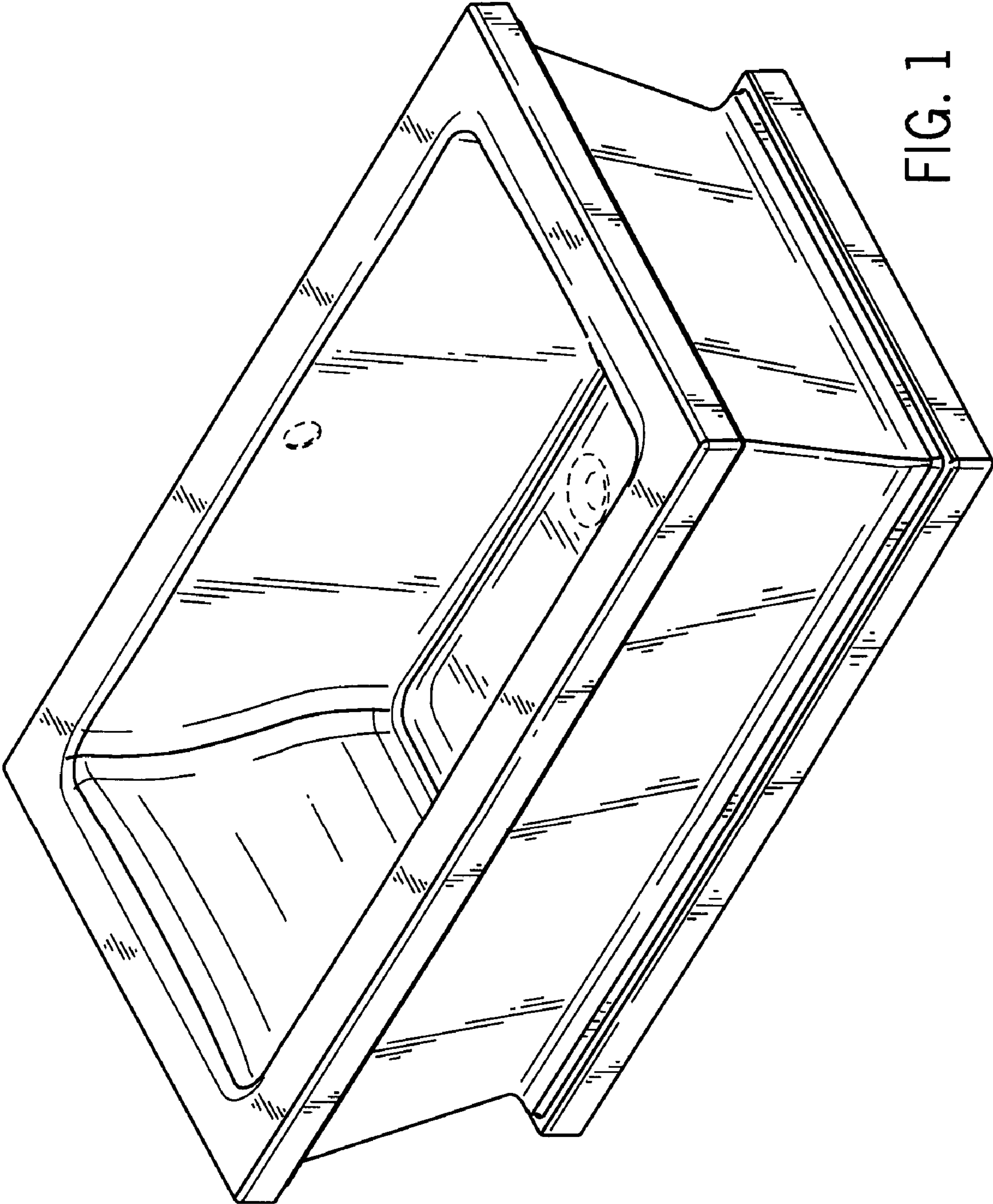


FIG. 1

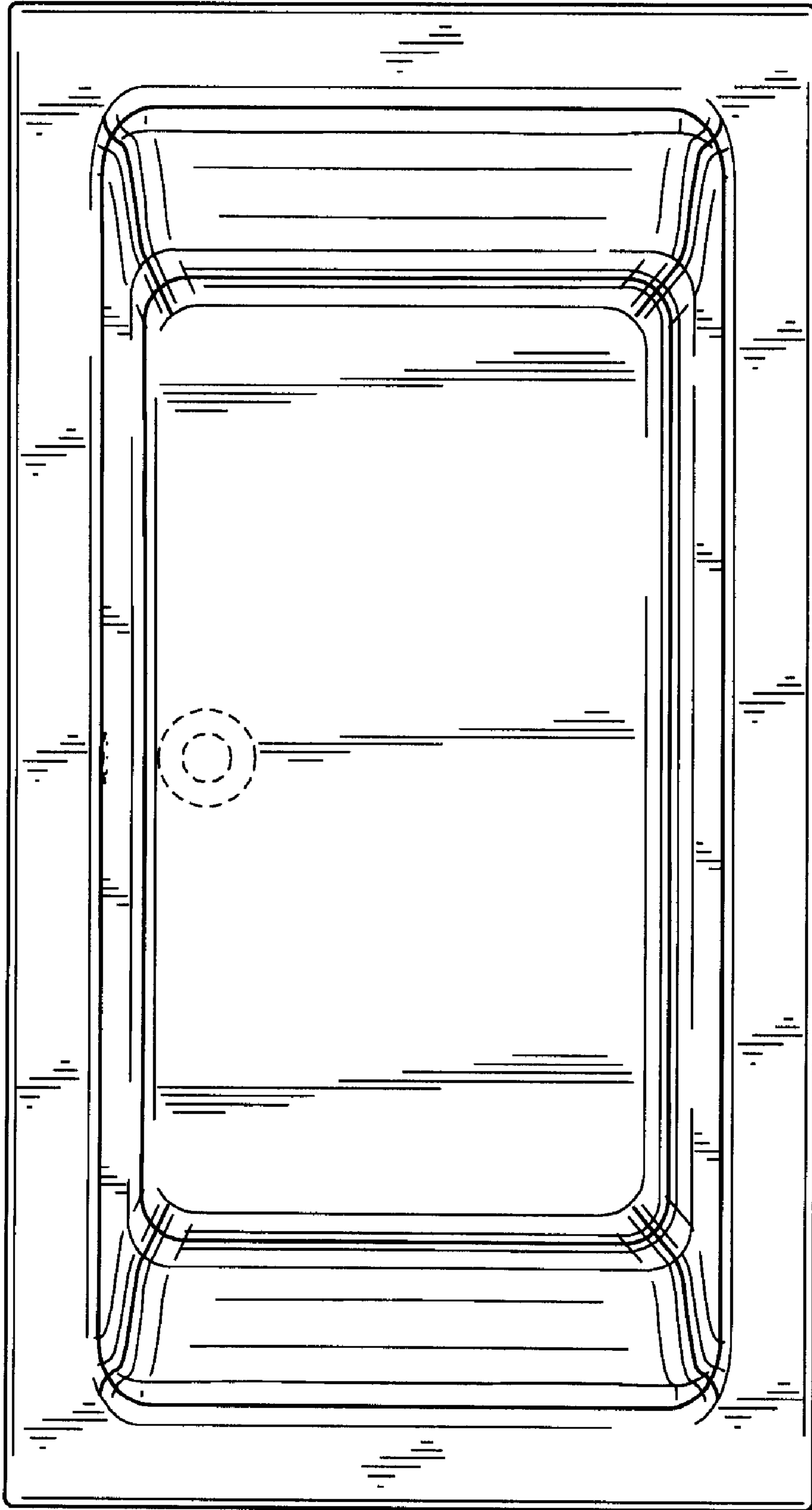
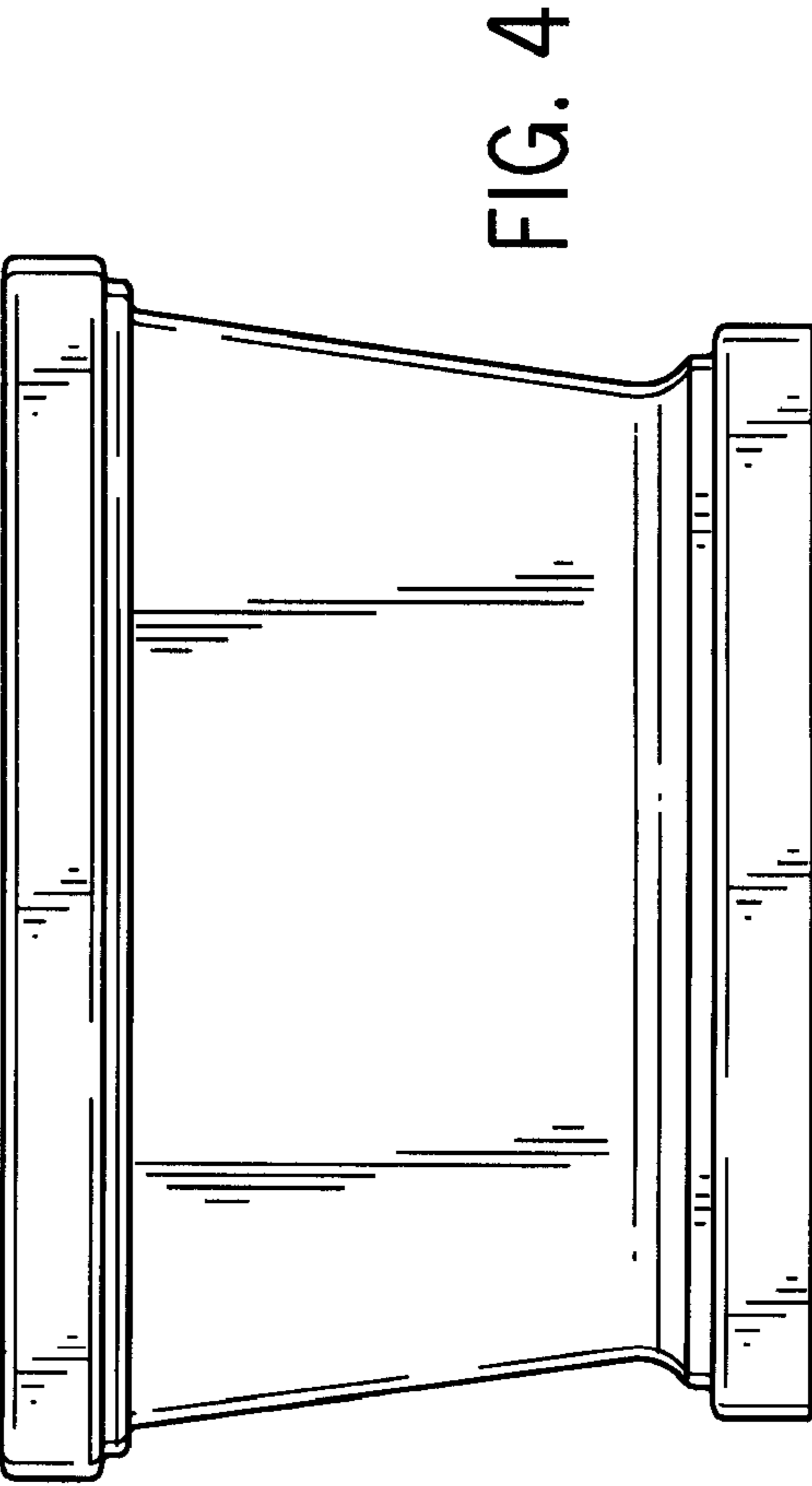
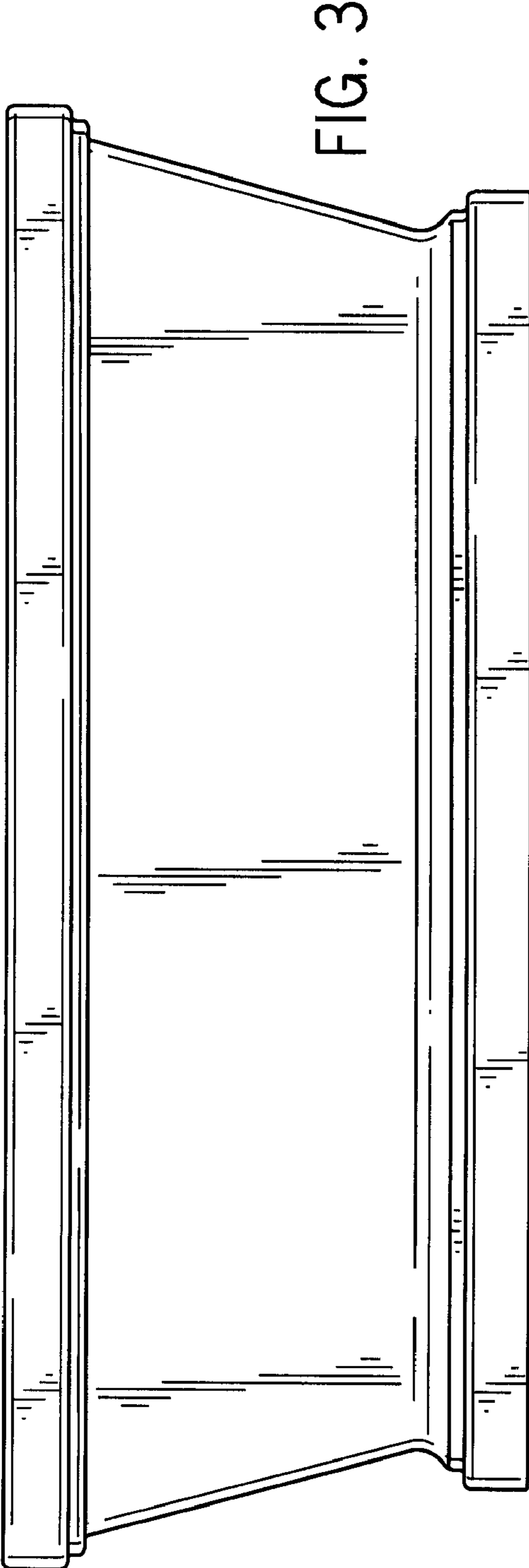


FIG. 2



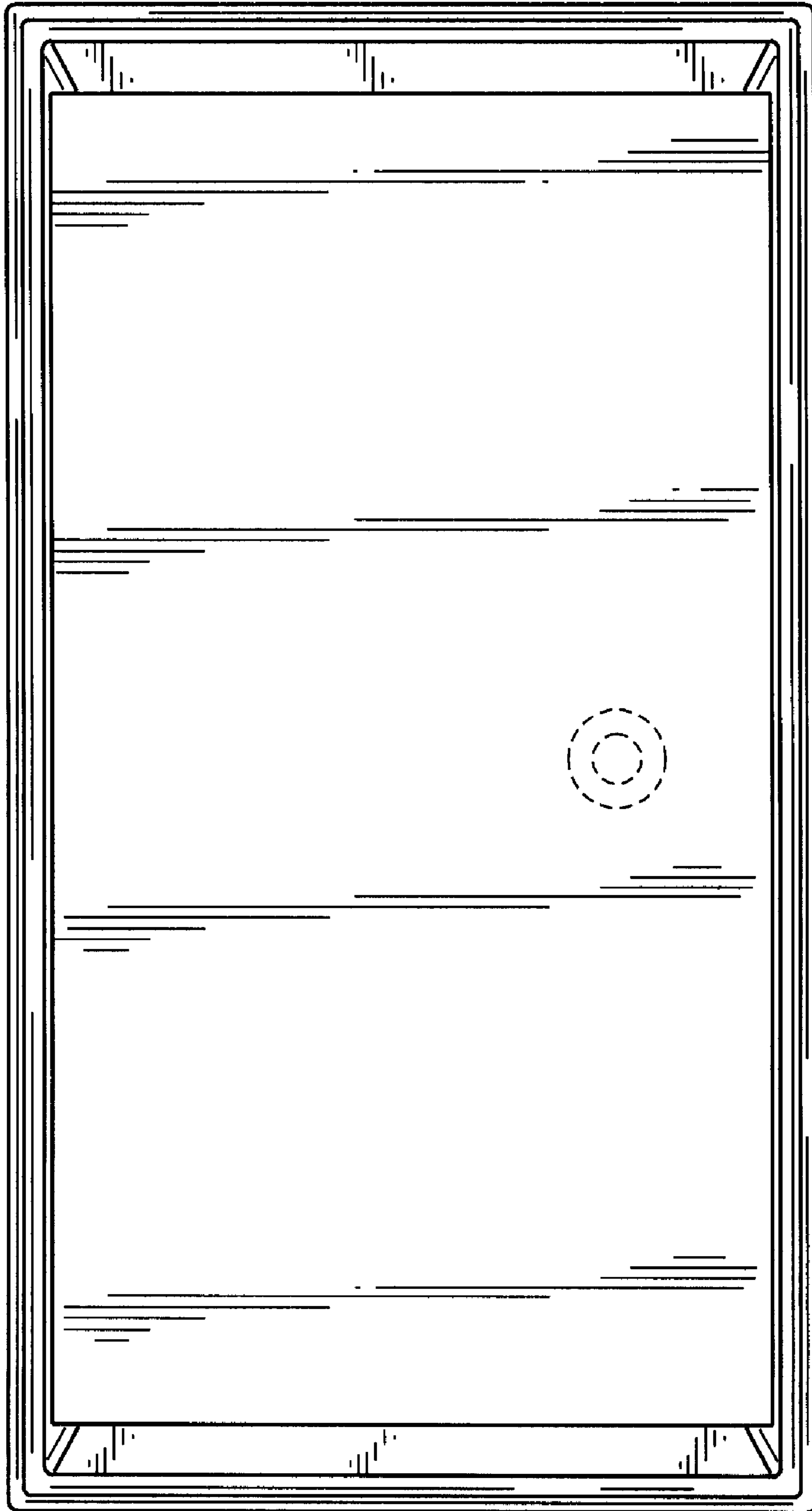


FIG. 5