



US00D560765S

(12) **United States Design Patent**  
**Koury et al.**

(10) **Patent No.:** **US D560,765 S**

(45) **Date of Patent:** **\*\* Jan. 29, 2008**

(54) **TUB ENCLOSURE**

D281,448 S \* 11/1985 Primucci ..... D23/275  
D345,783 S \* 4/1994 Kohler, Jr. .... D23/275

(75) Inventors: **Steffen Koury**, Everett, MA (US);  
**Jules Ko**, Cambridge, MA (US); **Paul K. Metaxatos**, Swampscott, MA (US)

\* cited by examiner

(73) Assignee: **American Shower & Bath Corporation**, Moorestown, NJ (US)

*Primary Examiner*—Robert A. Delehanty  
(74) *Attorney, Agent, or Firm*—Nirav D. Parikh; Lloyd D. Doigan

(\*\*) Term: **14 Years**

(57) **CLAIM**

(21) Appl. No.: **29/285,809**

An ornamental design for a tub enclosure, as shown and described.

(22) Filed: **Apr. 11, 2007**

(51) **LOC (8) Cl.** ..... **23-02**

(52) **U.S. Cl.** ..... **D23/275**

(58) **Field of Classification Search** ..... D23/271,  
D23/273, 275, 277, 280.1, 283, 303–306;  
4/546, 538, 552, 596–597, 612–614, 661;  
D24/204–205

See application file for complete search history.

**DESCRIPTION**

FIG. 1 is a front perspective view of the tub enclosure showing our new design;

FIG. 2 is a front elevational view thereof;

FIG. 3 is a top plan view thereof; and,

FIG. 4 is a side view thereof.

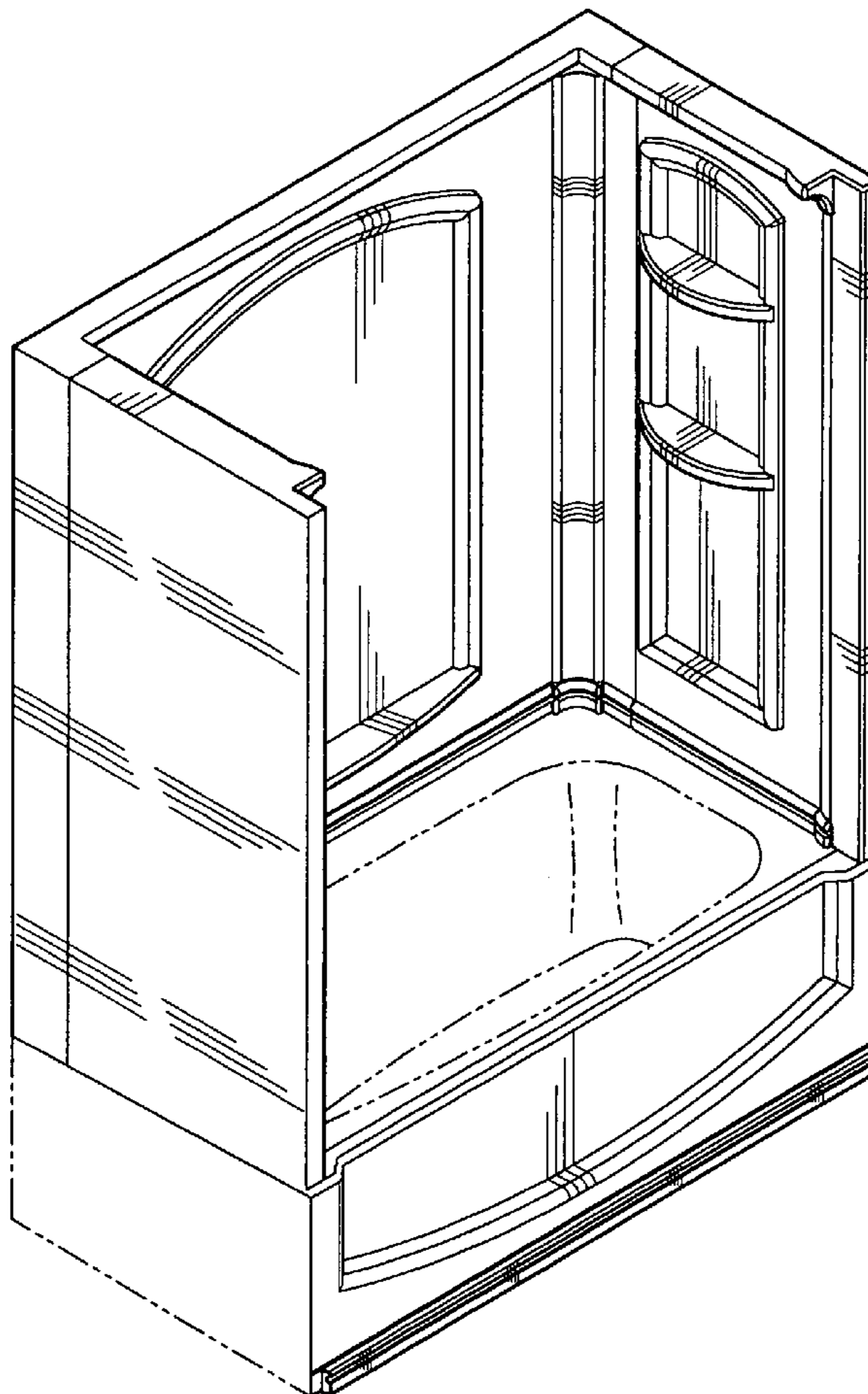
The broken lines showing of the tub is for illustrative purposes only and forms no part of the claimed design.

(56) **References Cited**

**U.S. PATENT DOCUMENTS**

D252,944 S \* 9/1979 Chisholm et al. .... D23/305

**1 Claim, 3 Drawing Sheets**



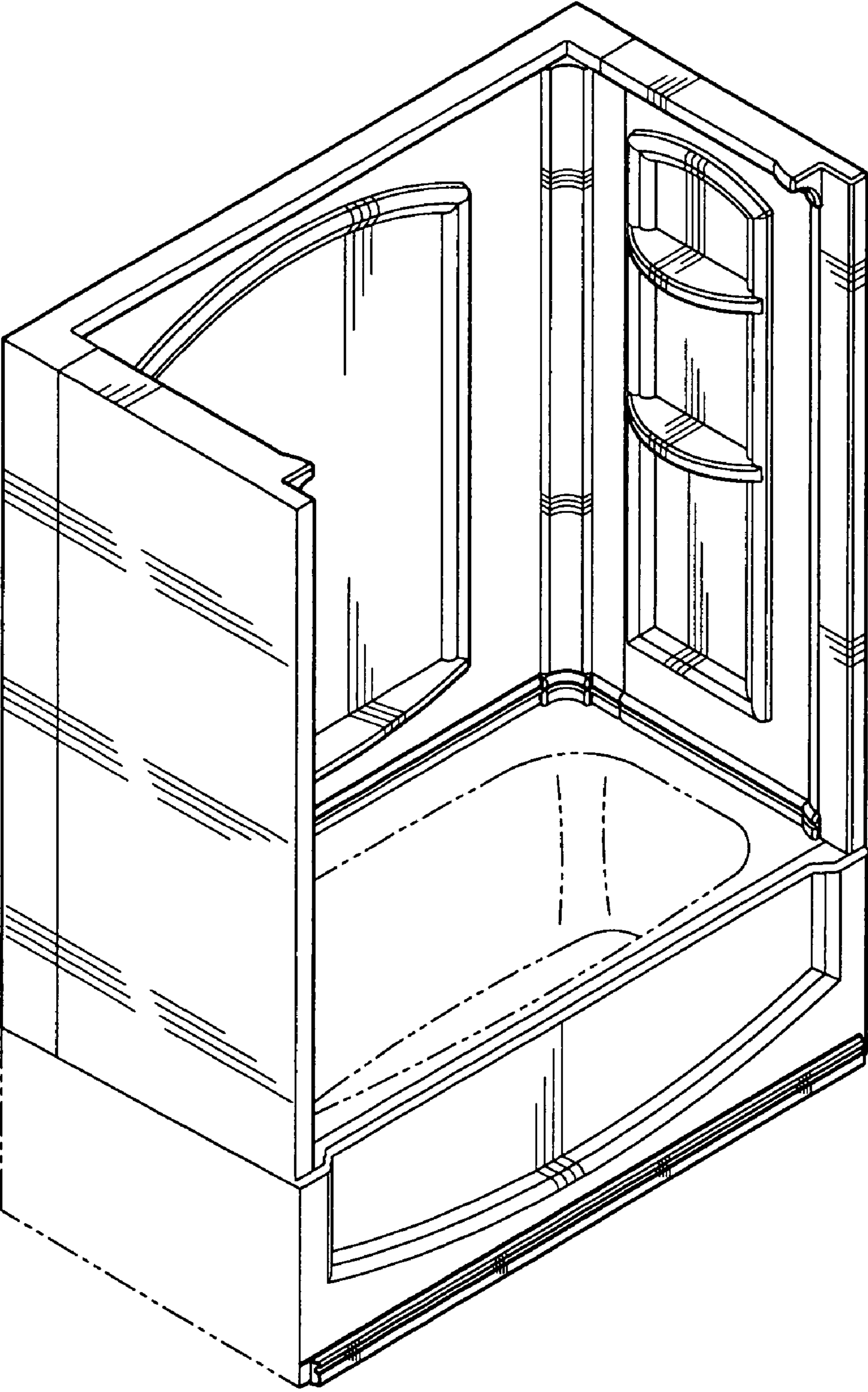


Fig-1

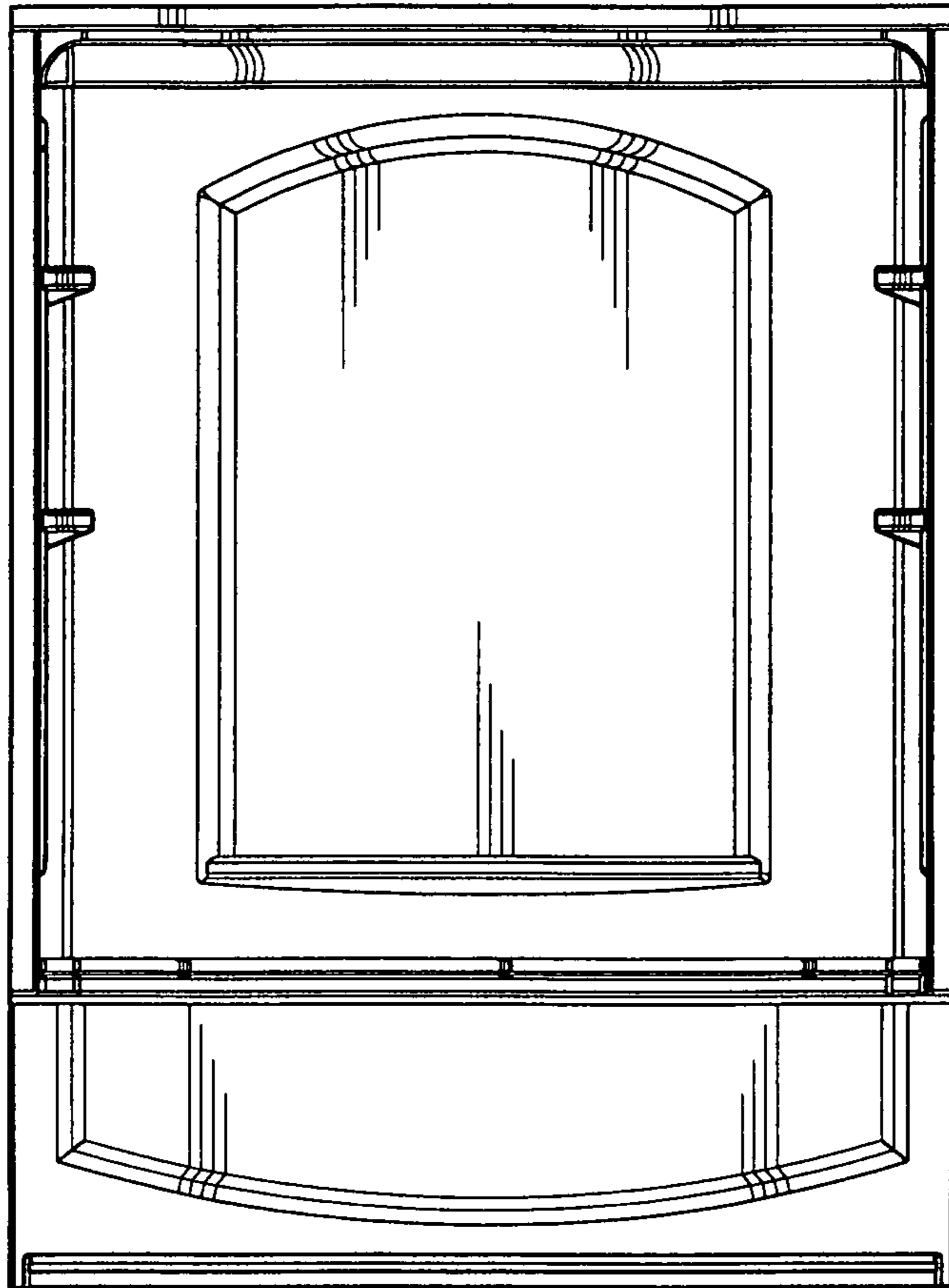


Fig-2

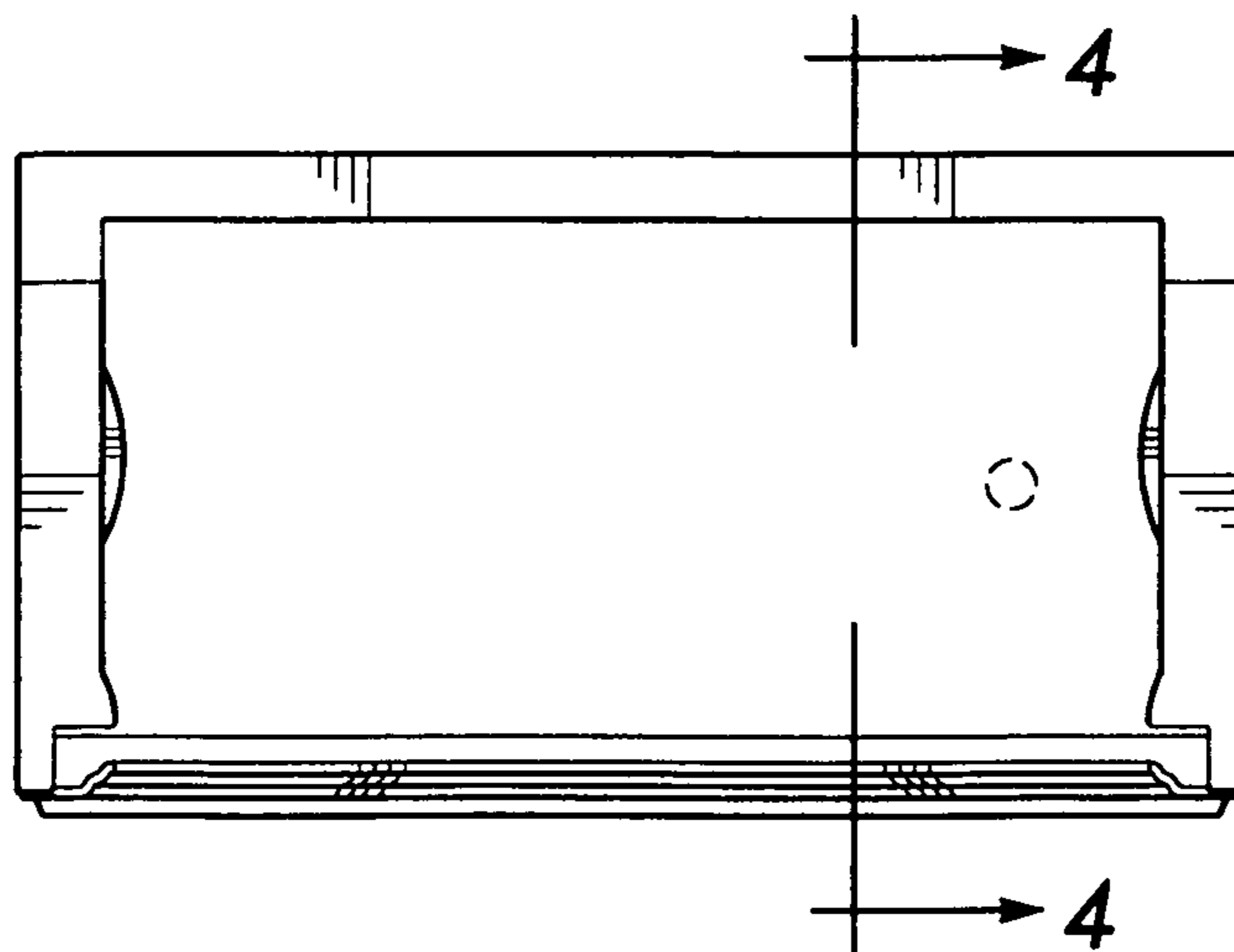


Fig-3

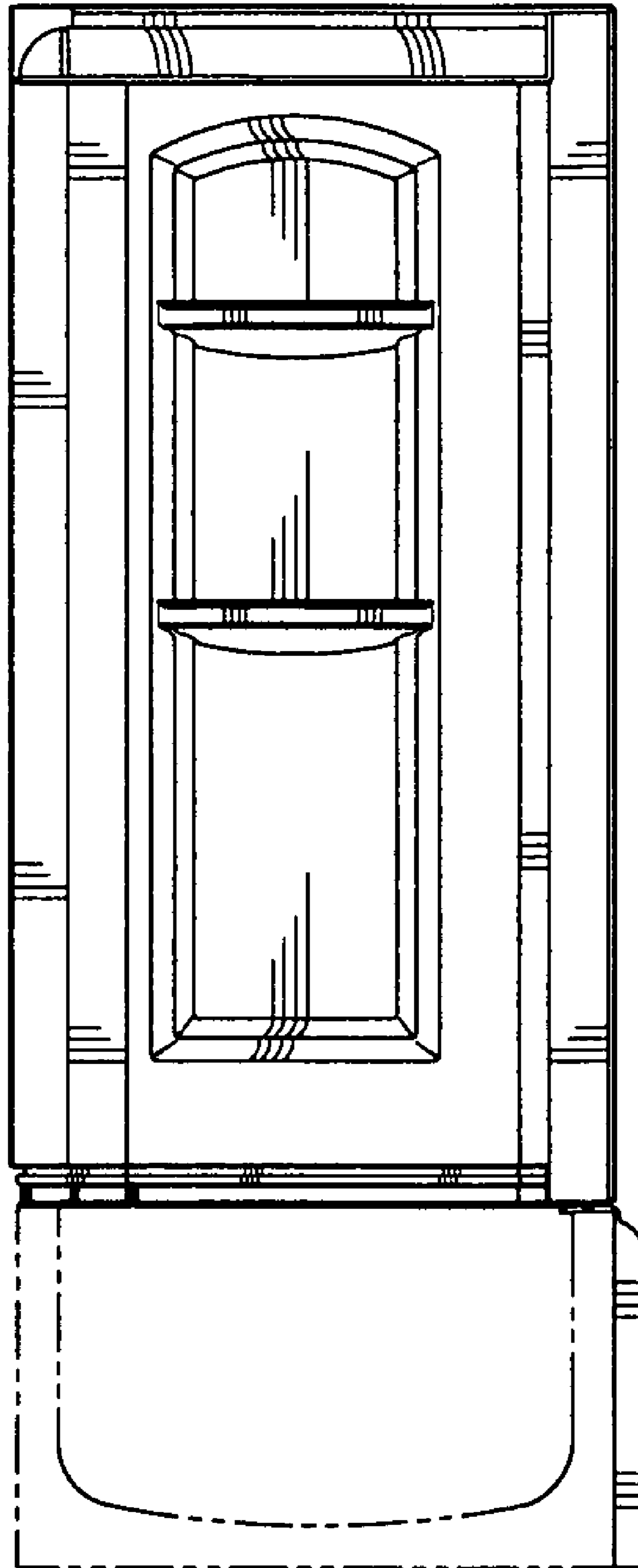


Fig-4