



US00D560763S

(12) **United States Design Patent** (10) **Patent No.:** **US D560,763 S**
McKinnon et al. (45) **Date of Patent:** **** Jan. 29, 2008**

(54) **RIM OF A DRAIN BASIN**
(75) Inventors: **James Stephen McKinnon**, Collyville, TX (US); **Daniel P. Chamberlin**, Roswell, GA (US); **Carl Ryan Whitmarsh**, Tulsa, OK (US)

(73) Assignee: **DFW Alliance Corp.**, Fort Worth, TX (US)

(**) Term: **14 Years**

(21) Appl. No.: **29/232,891**

(22) Filed: **Jun. 24, 2005**

(51) **LOC (8) Cl.** **23-01**
(52) **U.S. Cl.** **D23/261**
(58) **Field of Classification Search** D23/259–269, D23/365, 355, 209; 4/289–290, 292; 210/163–164, 210/232, 342–344, 348, 455–456, 464–465, 210/473–474, 477, 488–489, 498–499; 96/147–148, 96/118–119, 151; 206/204–205, 213.1; D9/414, D9/431, 424; D3/304–315; D25/156; D8/395, D8/330

See application file for complete search history.

(56) **References Cited**

U.S. PATENT DOCUMENTS

2,993,600	A *	7/1961	Ressler	210/164
4,988,235	A *	1/1991	Hurley	405/50
D380,049	S *	6/1997	Allen	D24/204
5,733,444	A *	3/1998	Johnson	210/163
5,769,566	A *	6/1998	Shea	405/52
D402,466	S *	12/1998	Werbesky, Jr.	D3/314
D403,418	S *	12/1998	Brinkman et al.	D23/365
6,004,068	A *	12/1999	Hosley	405/118
6,017,462	A *	1/2000	Rains	210/801
6,461,501	B1 *	10/2002	Porter	210/167.31
D469,524	S *	1/2003	Roberts	D23/308

D469,610	S *	2/2003	Corp et al.	D3/306
7,025,282	B2 *	4/2006	Hong	239/24
7,178,675	B2 *	2/2007	Votel	210/473
2002/0048490	A1 *	4/2002	Allard et al.	405/43
2005/0056304	A1 *	3/2005	McClure et al.	134/10

* cited by examiner

Primary Examiner—Ian Simmons

Assistant Examiner—Eric L Goodman

(74) *Attorney, Agent, or Firm*—Geoffrey A. Mantooth

(57) **CLAIM**

We claim the ornamental design for a rim of a drain basin, as shown and described.

DESCRIPTION

FIG. 1 is a perspective view of a rim of a drain basin showing our new design;

FIG. 2 is a top plan view of the rim of a drain basin;

FIG. 3 is a front elevation view of the rim of a drain basin, wherein the back elevation view is identical;

FIG. 4 is a left elevation view of the rim of a drain basin, wherein the right elevation view is identical;

FIG. 5 is a bottom plan view of the rim of a drain basin;

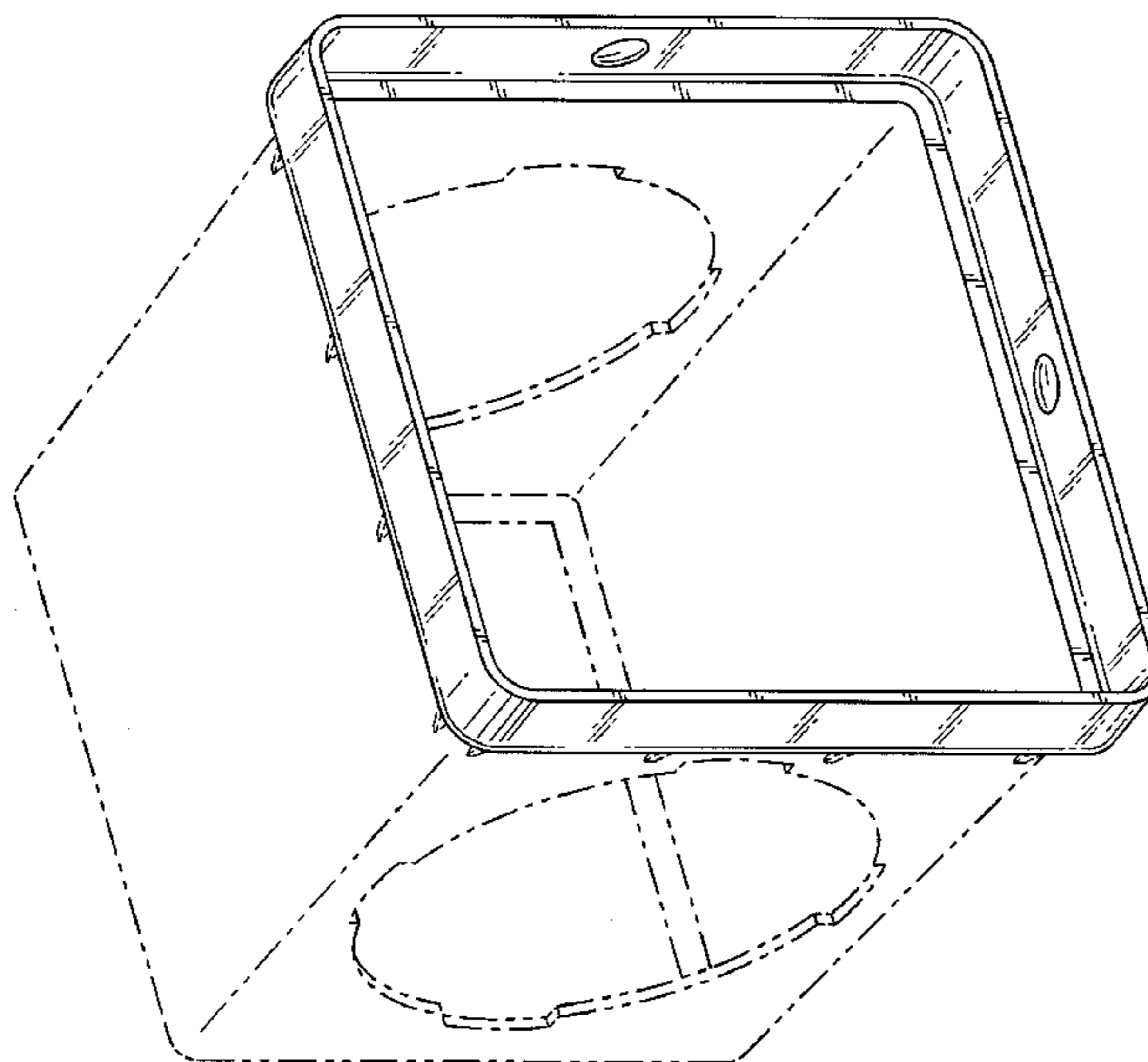
FIG. 6 is a section view of the rim of a drain basin taken along line 6—6 in FIG. 2;

FIG. 7 is an enlarged portion of the section view of the rim of a drain basin shown in FIG. 6; and,

FIG. 8 is an enlarged portion of the section view of the rim of a drain basin shown in FIG. 6.

The broken lines showing the basin in FIGS. 1–7, and showing structural supports, such as ribs, connected to the rim of the basin in FIGS. 1, and 3–7, are shown for illustrative purposes and form no part of the claimed design.

1 Claim, 5 Drawing Sheets



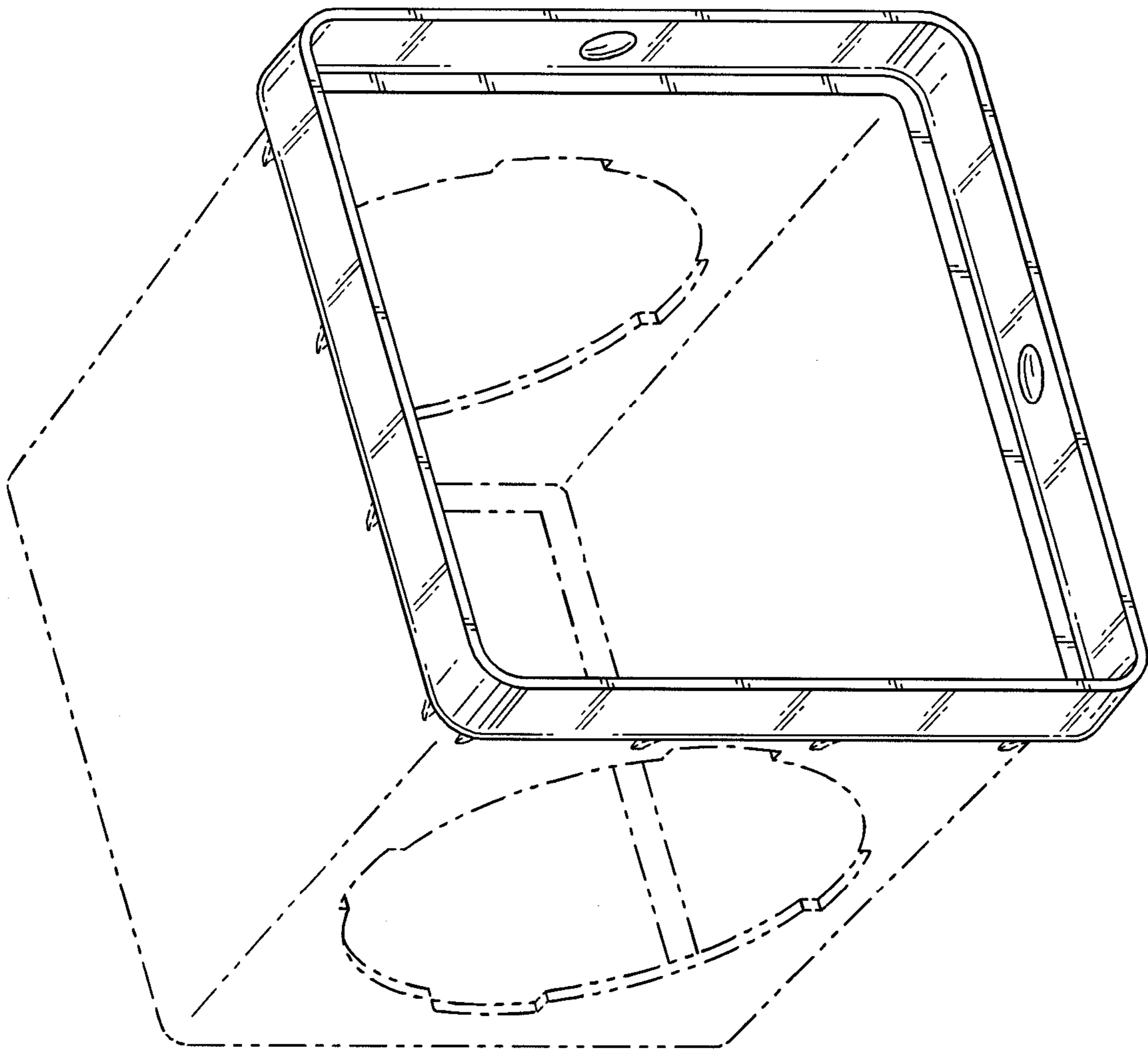


Fig. 1

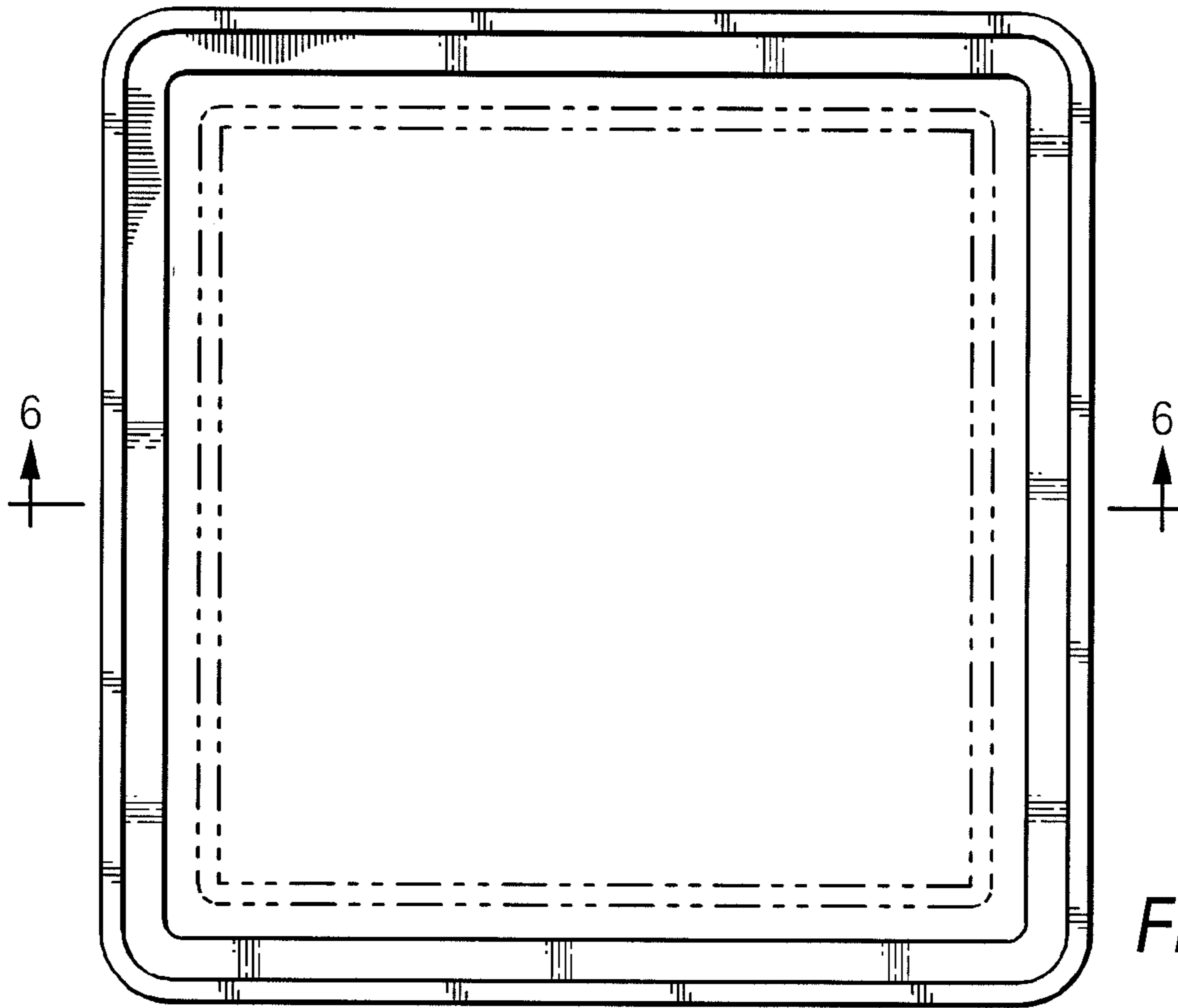


Fig. 2

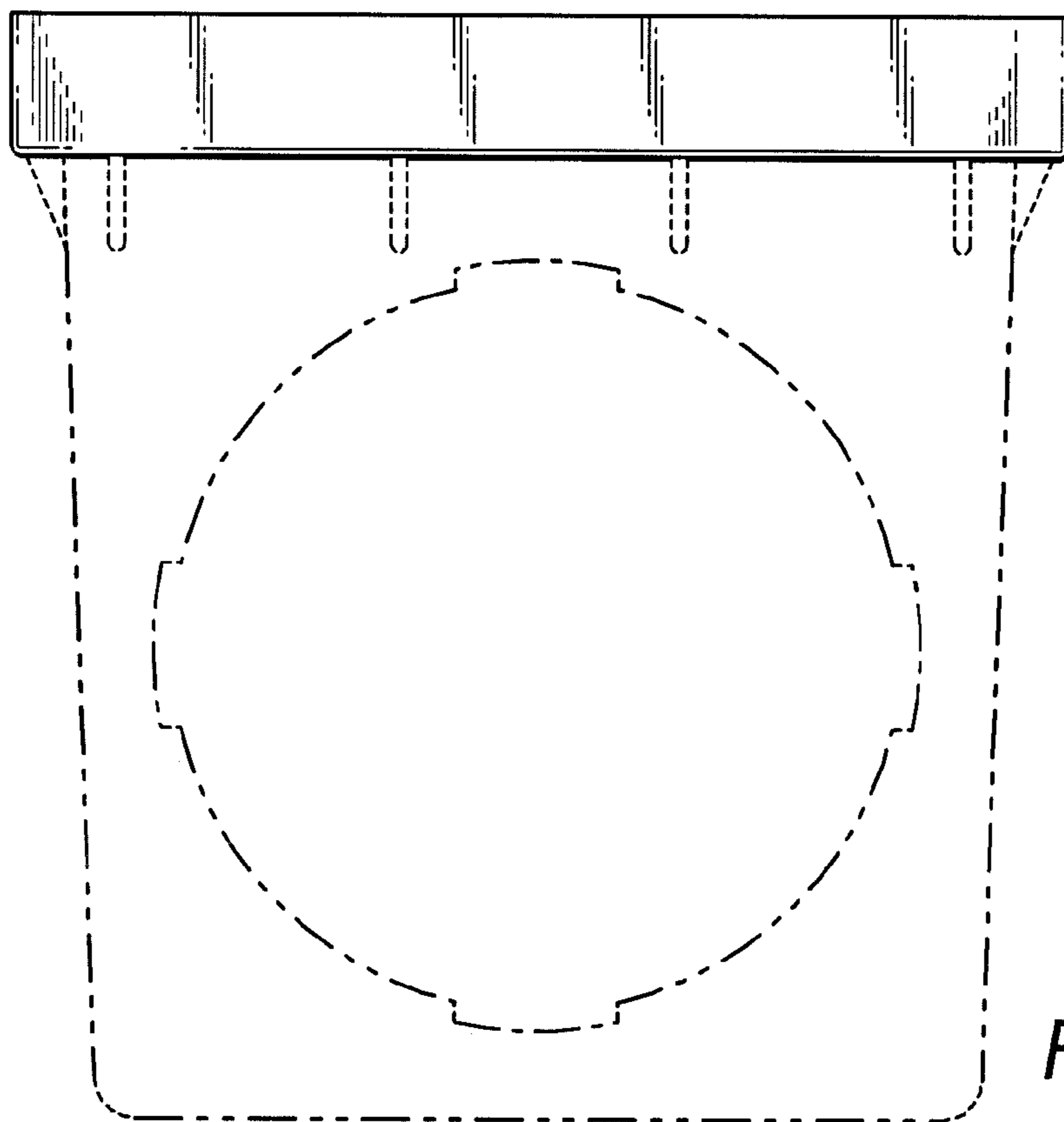


Fig. 3

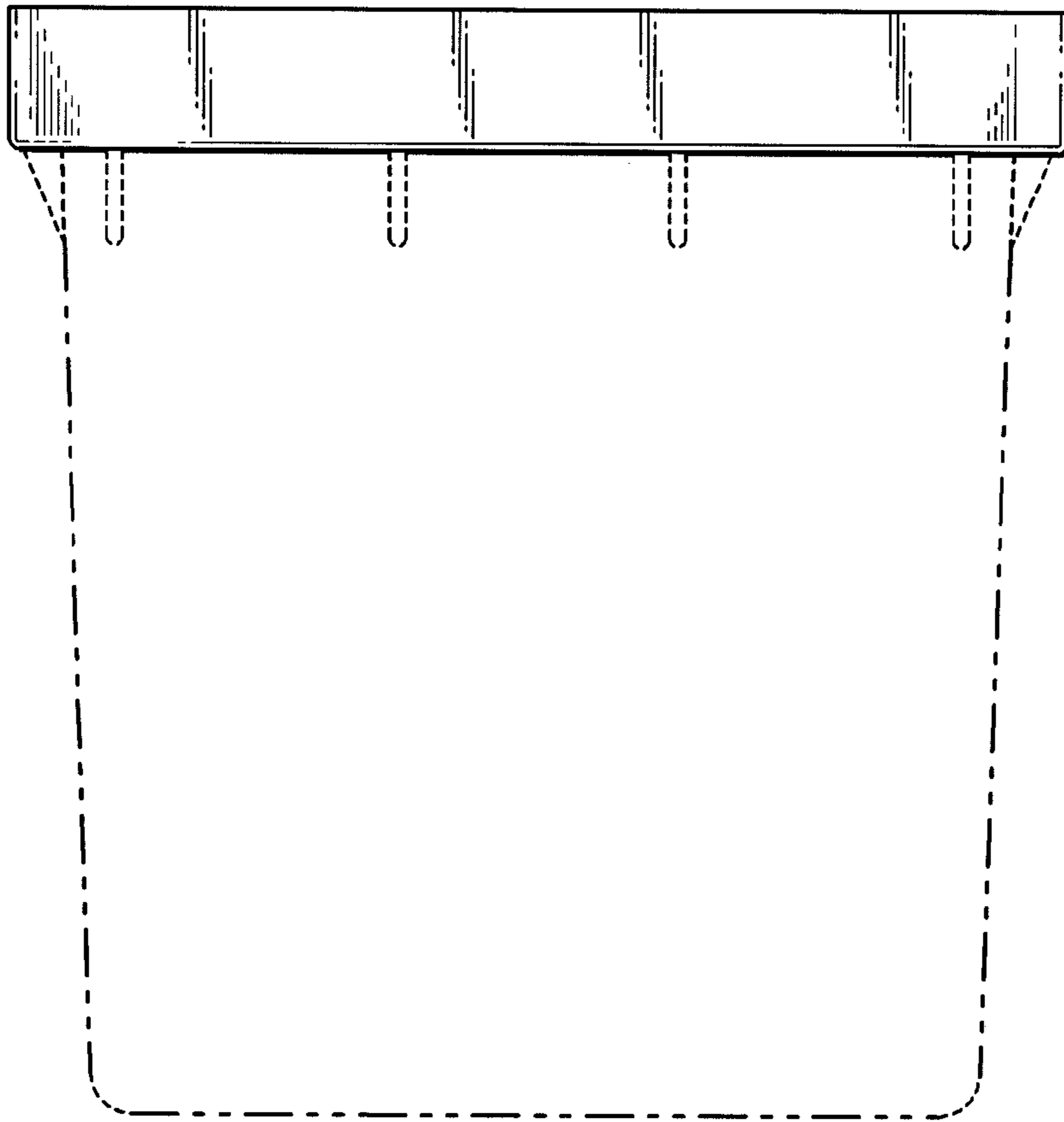


Fig. 4

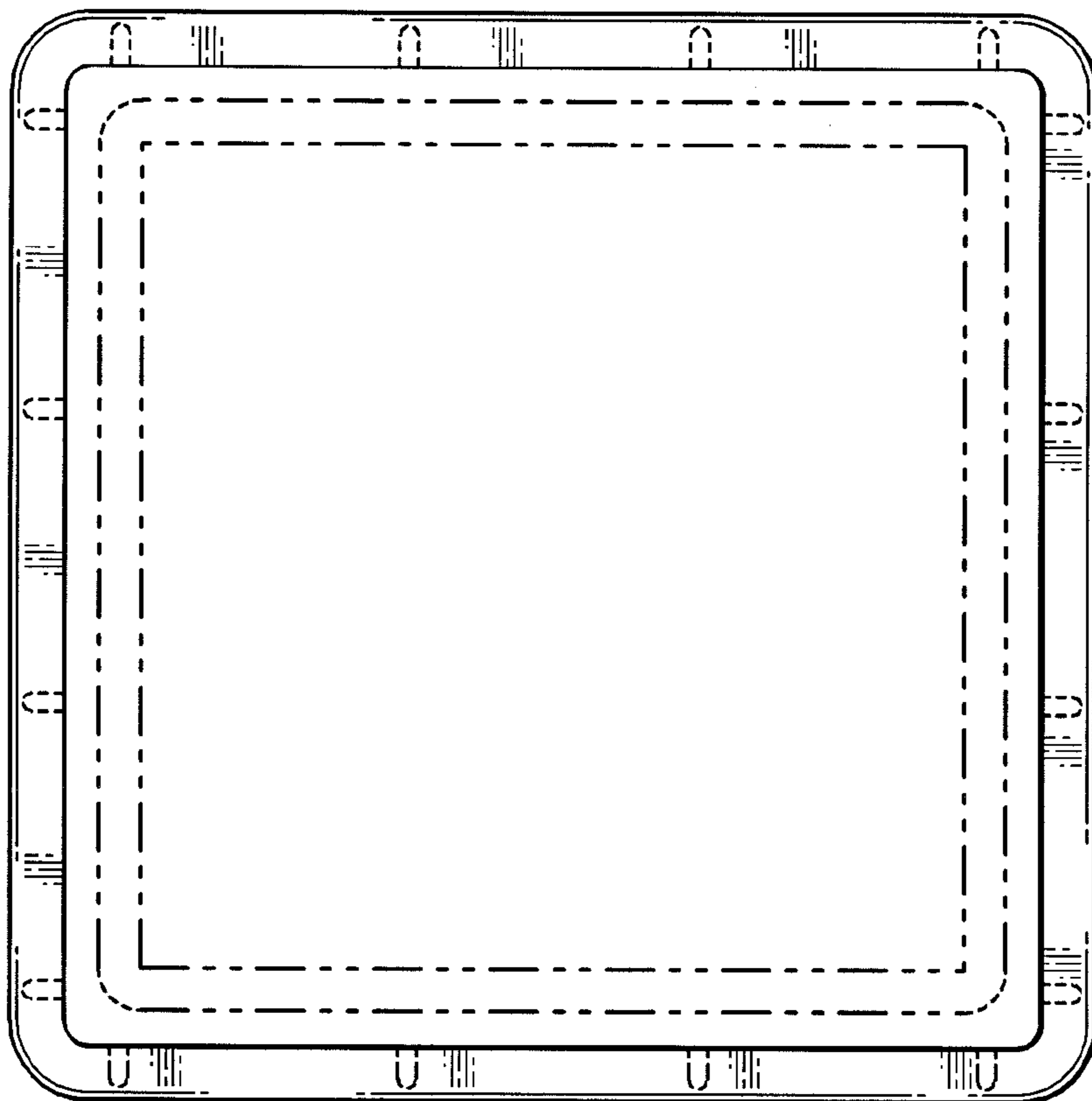


Fig. 5

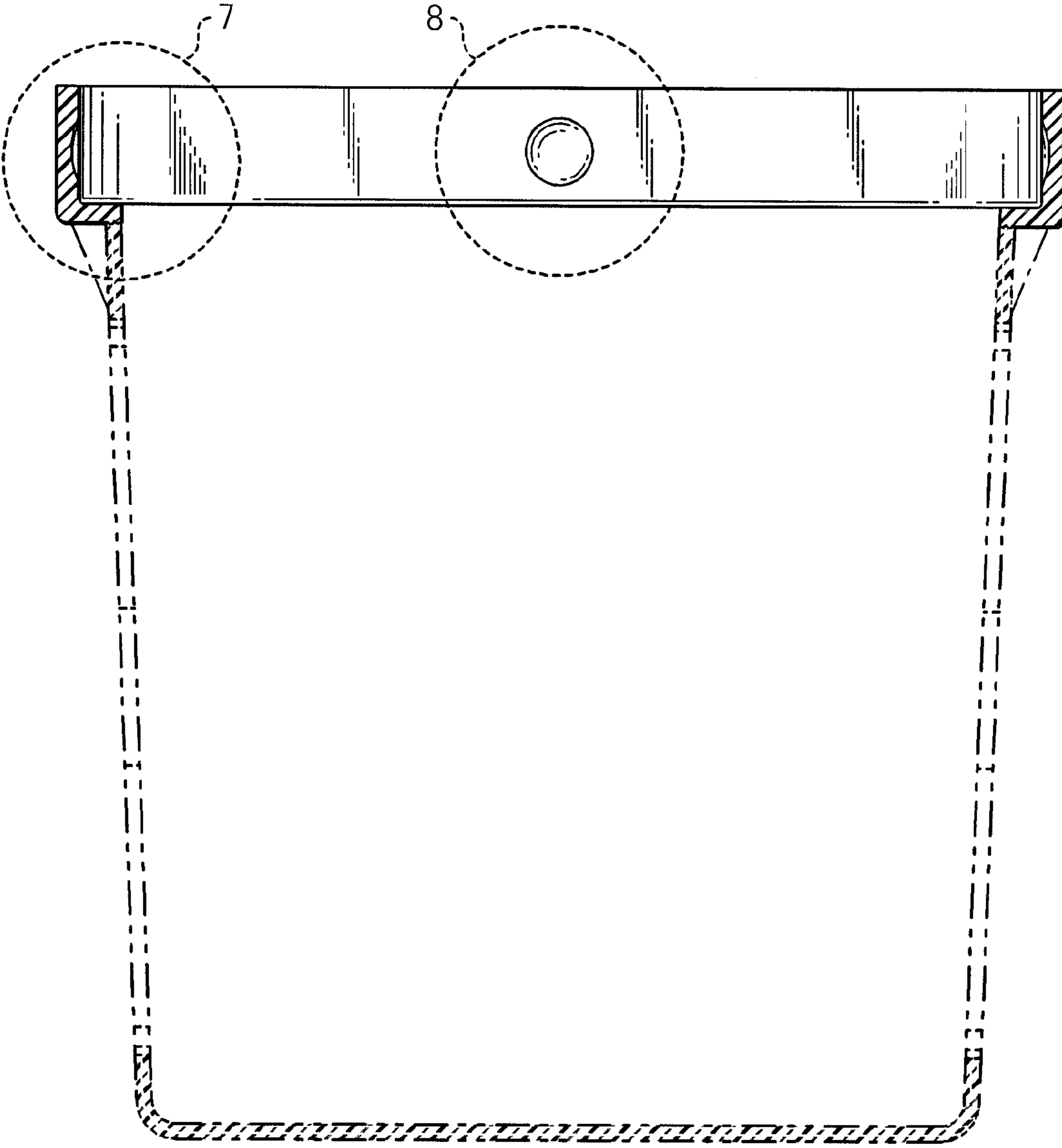


Fig. 6

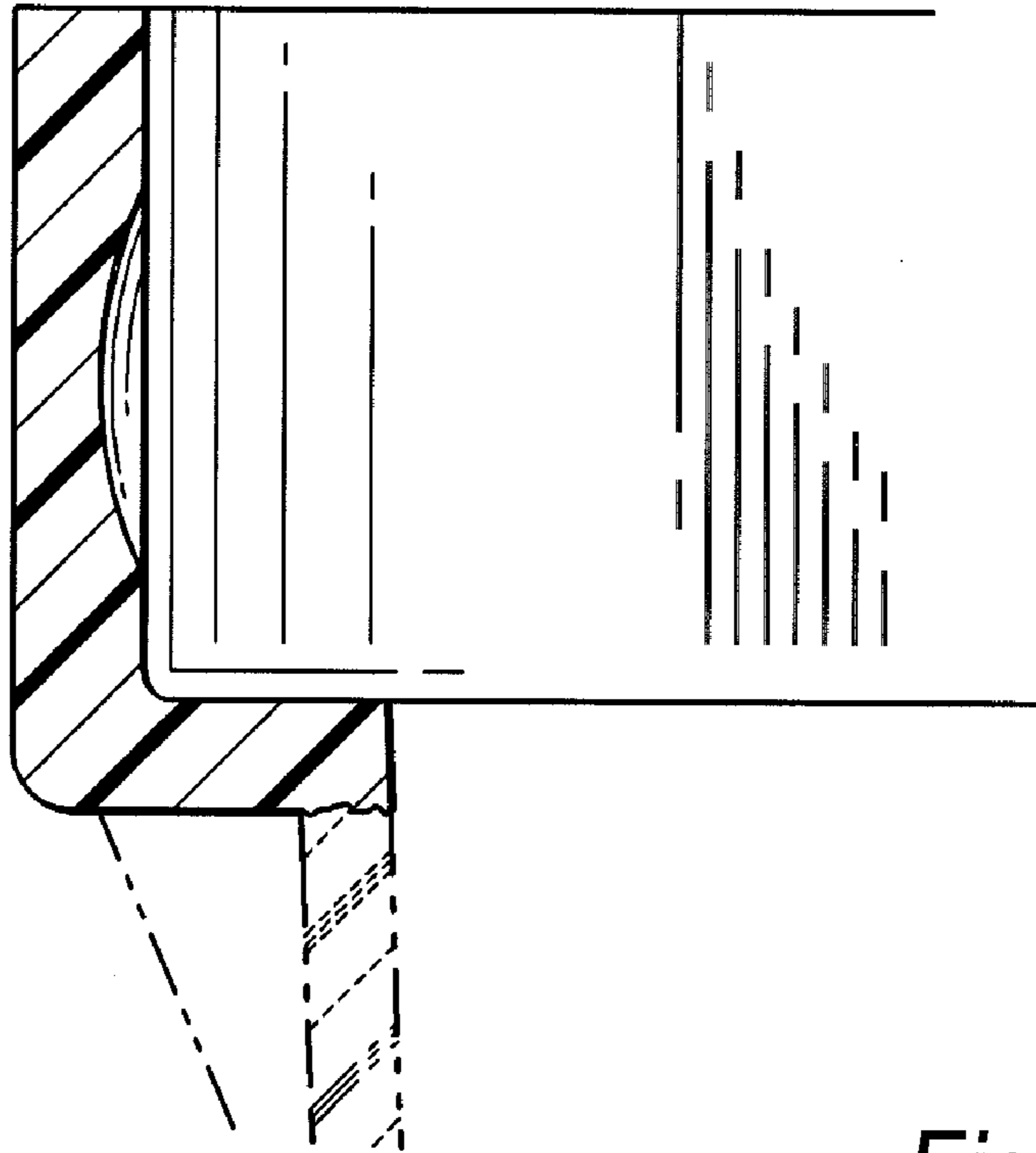


Fig. 7

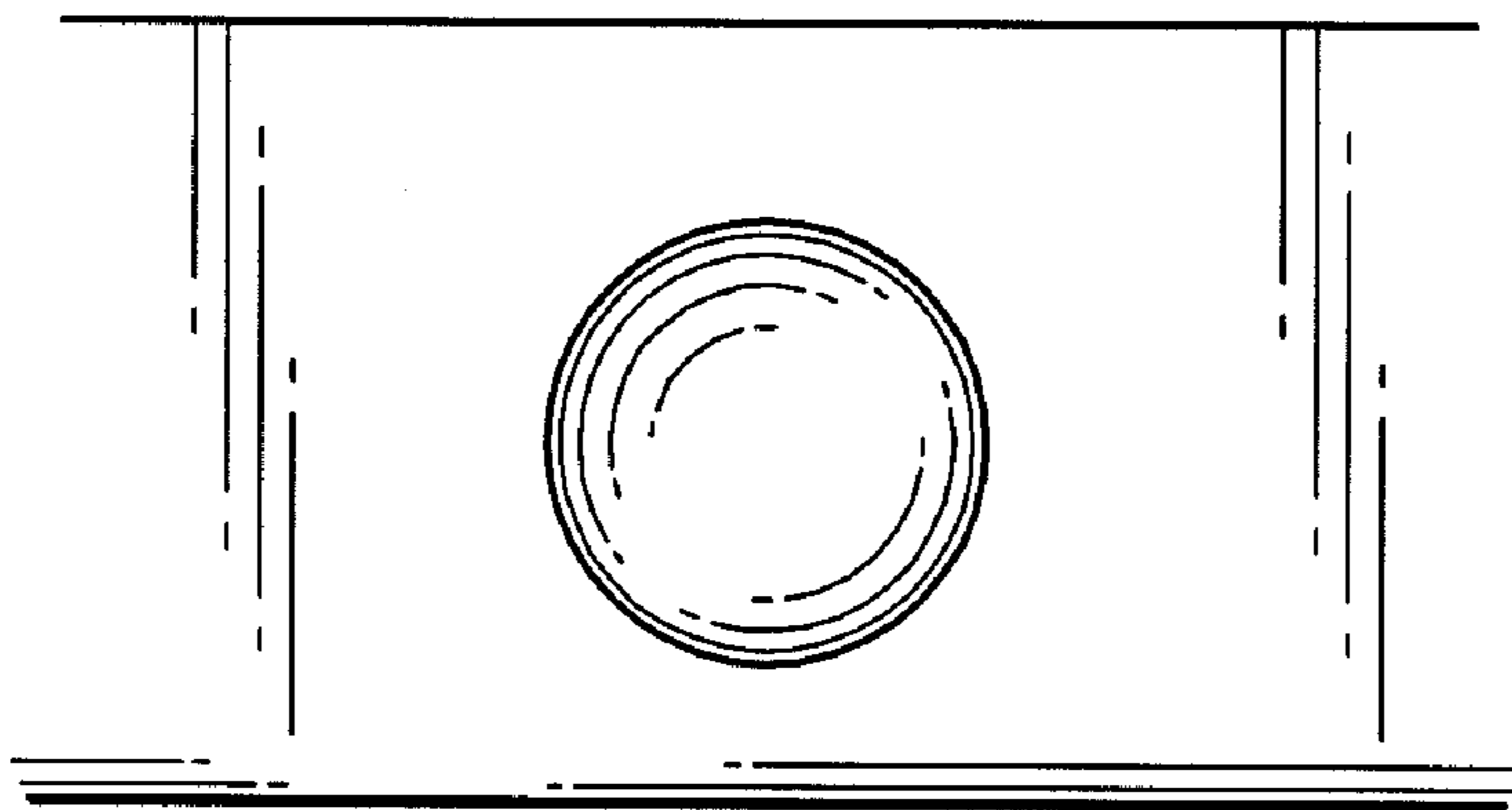


Fig. 8