



US00D560762S

(12) **United States Design Patent**  
**Eckhaus**

(10) **Patent No.:** **US D560,762 S**  
(45) **Date of Patent:** **\*\* Jan. 29, 2008**

(54) **POT FILLER FAUCET**

(76) Inventor: **Efraim Eckhaus**, 77 Tummel La., West Haven, CT (US) 06516

(\*\*) Term: **14 Years**

(21) Appl. No.: **29/248,829**

(22) Filed: **Sep. 7, 2006**

(51) **LOC (8) Cl.** ..... **23-01**

(52) **U.S. Cl.** ..... **D23/249; D23/243; D23/239; D23/238; D23/255**

(58) **Field of Classification Search** ..... **D23/238-257; 4/675-678; 137/801, 615**  
See application file for complete search history.

(56) **References Cited**

**U.S. PATENT DOCUMENTS**

1,838,290	A	12/1931	Steckel	.....	137/599.01
D347,262	S	* 5/1994	Black et al.	.....	D23/230
D464,711	S	10/2002	Warshawsky	.....	D23/243
D492,393	S	* 6/2004	Herring et al.	.....	D23/243

\* cited by examiner

*Primary Examiner*—Stella M. Reid

*Assistant Examiner*—Gregory Andoll

(74) *Attorney, Agent, or Firm*—Harvey Lunenfeld

(57) **CLAIM**

The ornamental design for a pot filler faucet, as shown and described.

**DESCRIPTION**

FIG. 1 is a perspective view of a pot filler faucet, showing my new design, in a partially open position;

FIG. 2 is a perspective view thereof in an extended position;

FIG. 3 is a perspective view thereof in another partially open position;

FIG. 4 is a left side elevation view thereof, showing an aerator thereof in a downward position;

FIG. 5 is a left side elevation view thereof, showing the aerator thereof in an angular position;

FIG. 6 is a left side elevation view thereof, showing the aerator thereof in another angular position;

FIG. 7 is bottom view thereof;

FIG. 8 is top plan view thereof;

FIG. 9 is a front elevation view thereof, showing the aerator thereof in a downward position;

FIG. 10 is a front elevation view thereof, showing the aerator thereof in an angular position;

FIG. 11 is a front elevation view thereof, showing the aerator thereof in another angular position;

FIG. 12 is a rear elevation view thereof;

FIG. 13 is a perspective view thereof in the partially open position of FIG. 1;

FIG. 14 is a perspective view thereof in the partially open position of FIG. 1;

FIG. 15 is a perspective view thereof in the extended position of FIG. 2;

FIG. 16 is a perspective view thereof in a folded position;

FIG. 17 is a left side elevation view thereof, showing the aerator thereof in the downward position;

FIG. 18 is a left side elevation view thereof, showing the aerator thereof in the angular position of FIG. 5;

FIG. 19 is a left side elevation view thereof, showing the aerator thereof in the other angular position of FIG. 6;

FIG. 20 is a front elevation view thereof, showing the aerator thereof in the downward position;

FIG. 21 is a front elevation view thereof, showing the aerator thereof in the angular position of FIG. 10;

FIG. 22 is a front elevation view thereof, showing the aerator thereof the other angular position of FIG. 11;

FIG. 23 is a rear elevation view thereof;

FIG. 24 is bottom view thereof;

FIG. 25 is top plan view thereof; and,

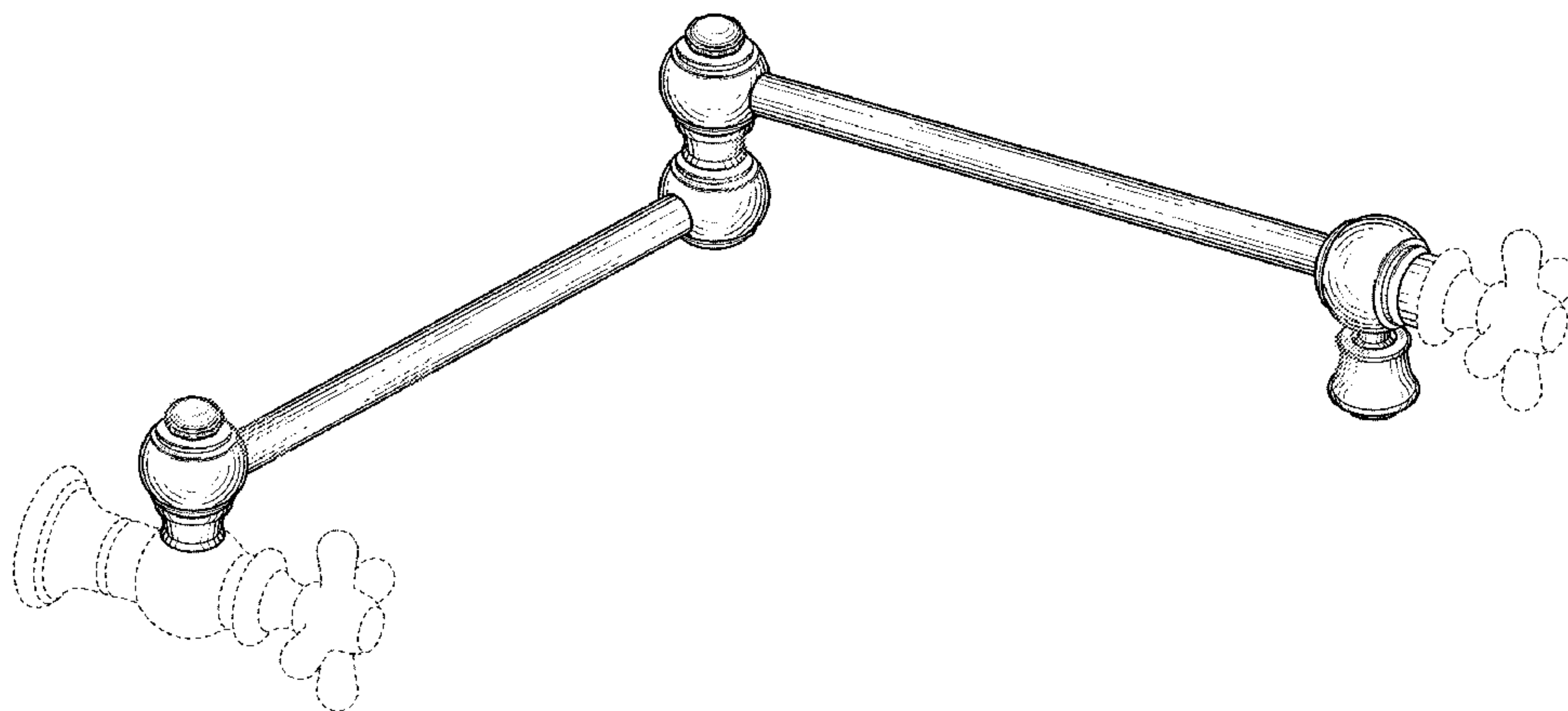


FIG. **26** is a perspective view thereof in the partially open position of FIG. **1**.

The broken line showing of a wall mounted faucet body and a cross handle in FIGS. **1–12** are for illustrative purposes only and form no part of the claimed design.

The broken line showing of the wall mounted faucet body and a lever handle in FIG. **13** are for illustrative purposes only and form no part of the claimed design.

The broken line showing of a deck mounted faucet body, a riser, and the cross handle in FIGS. **14–25** are for illustrative purposes only and form no part of the claimed design.

The broken line showing of the deck mounted faucet body, the riser, and the lever handle in FIG. **26** are for illustrative purposes only and form no part of the claimed design.

**1 Claim, 20 Drawing Sheets**

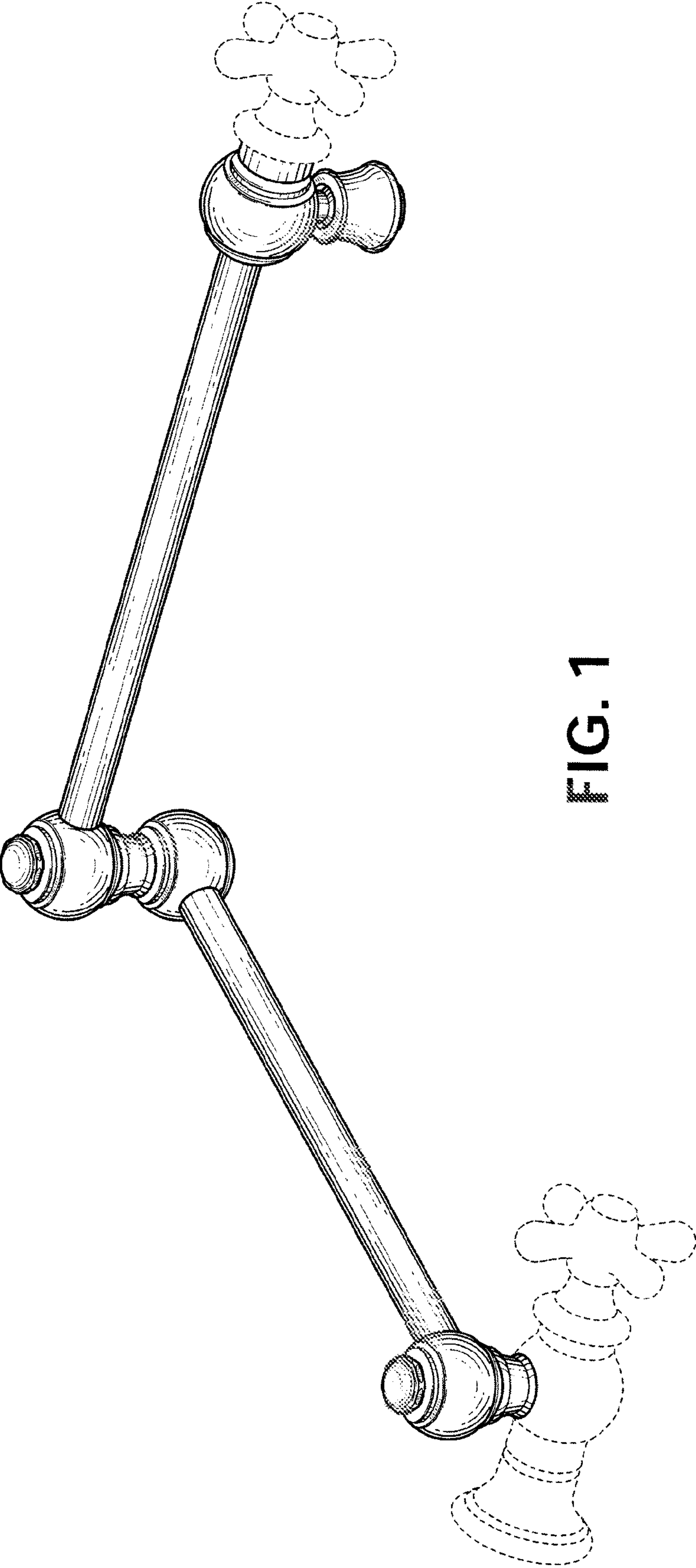


FIG. 1

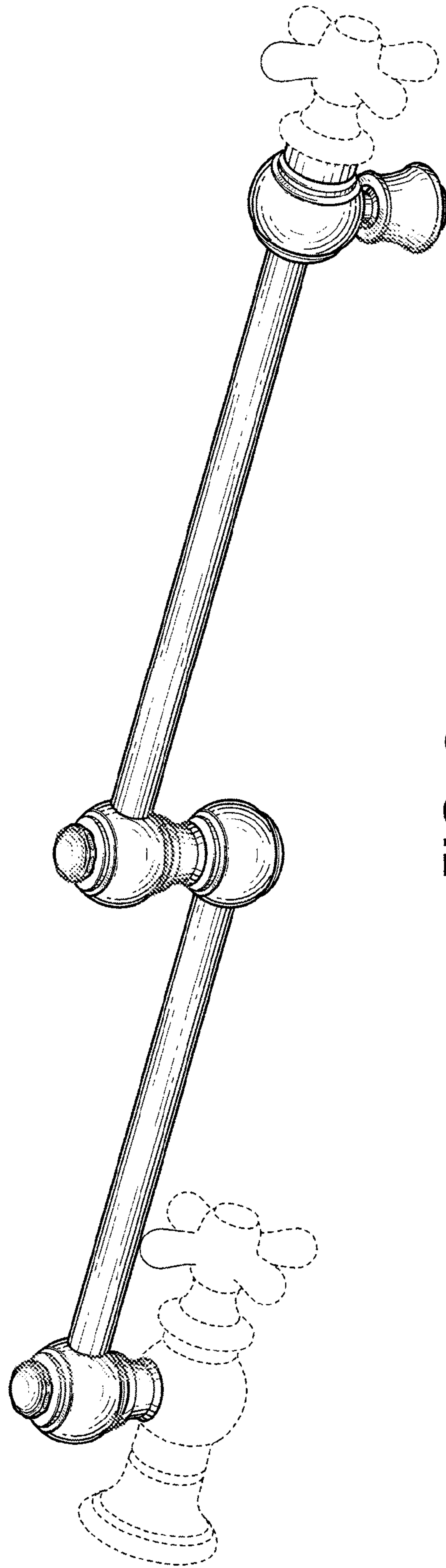


FIG. 2



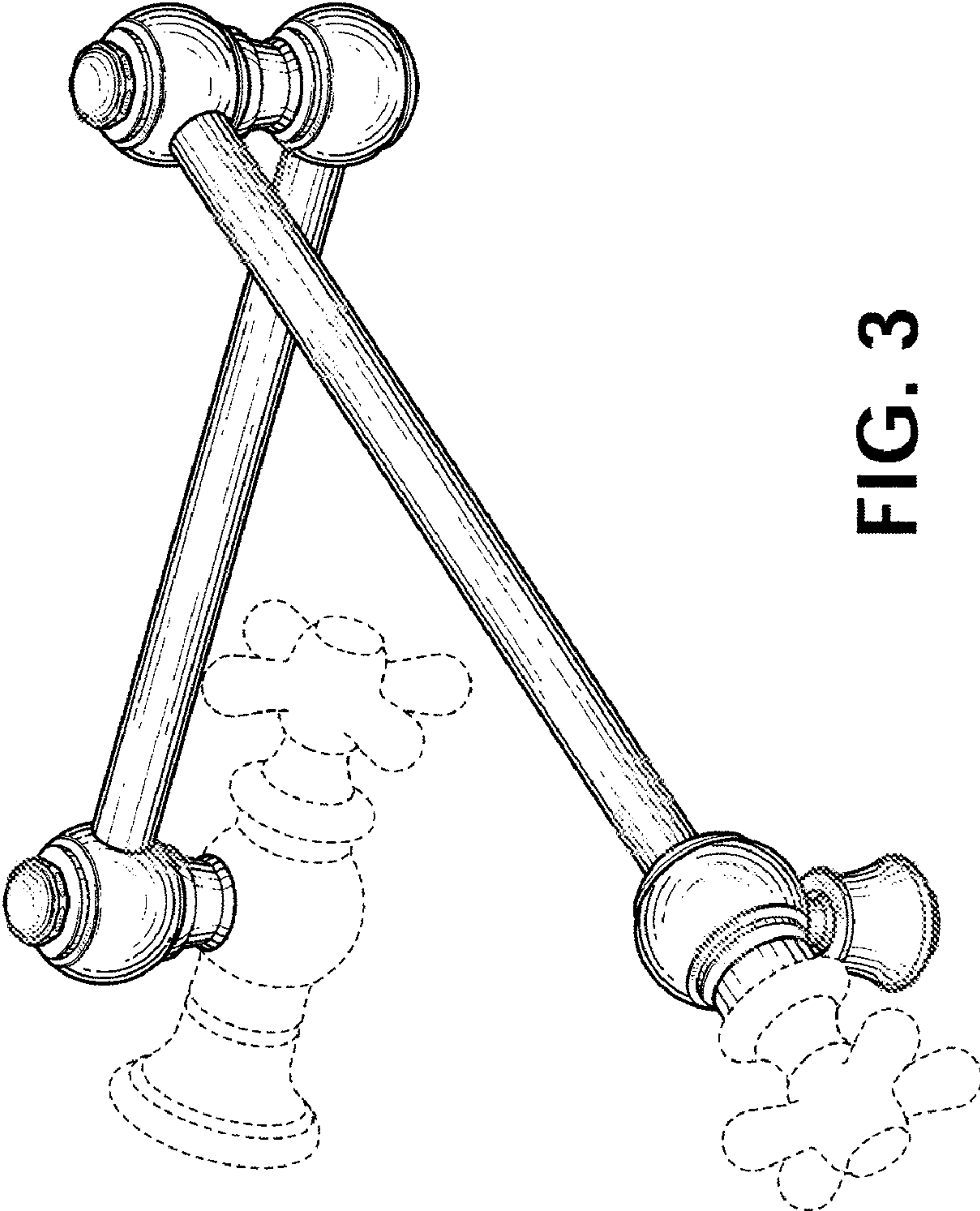


FIG. 3

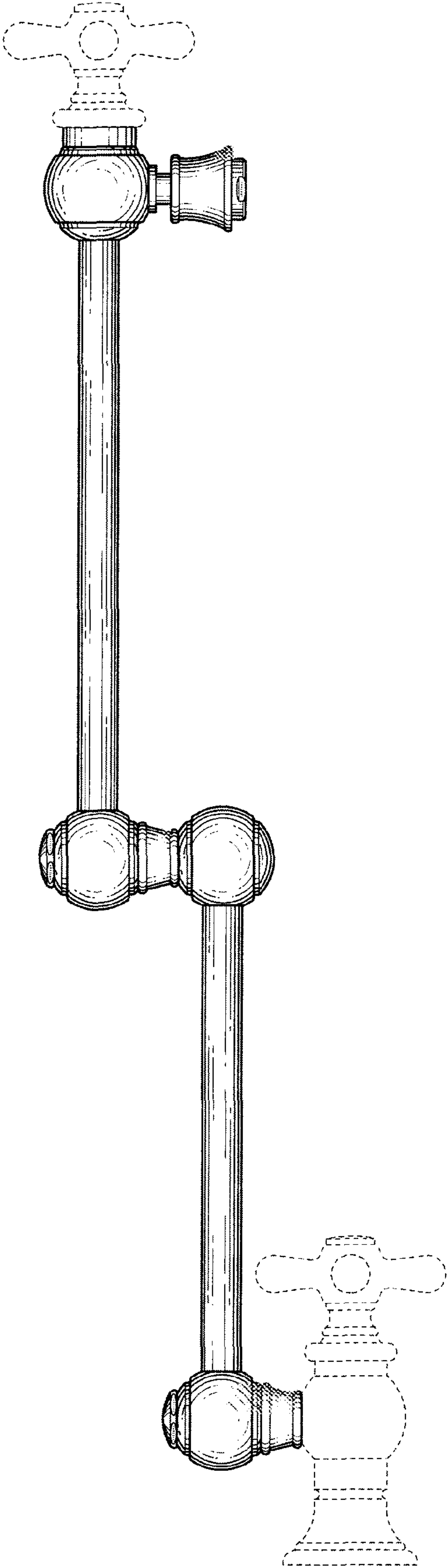


FIG. 4

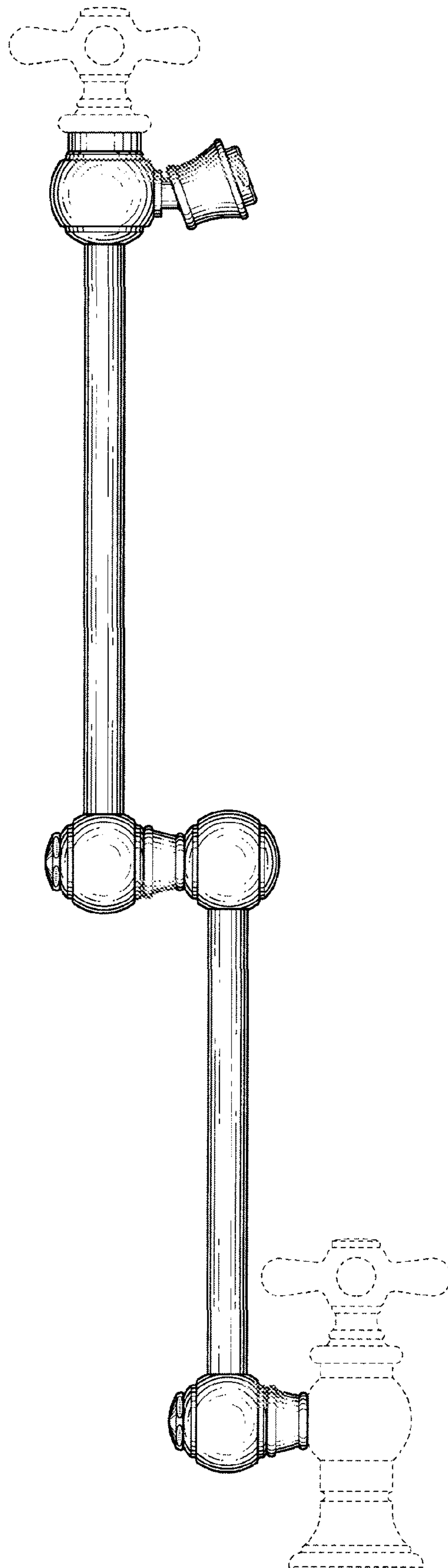


FIG. 5

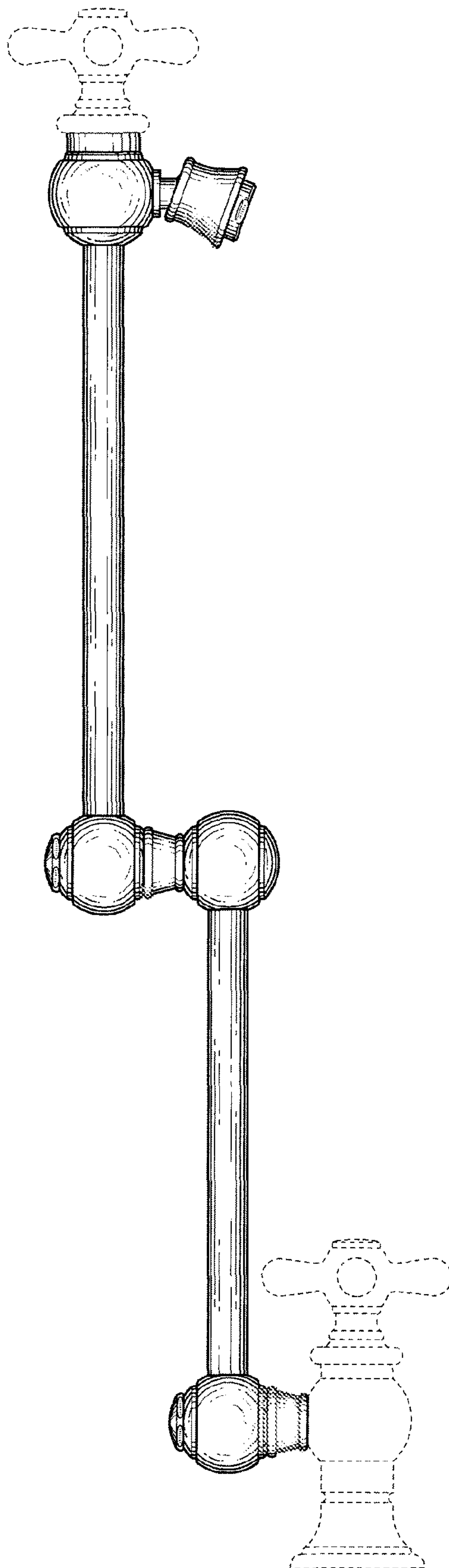
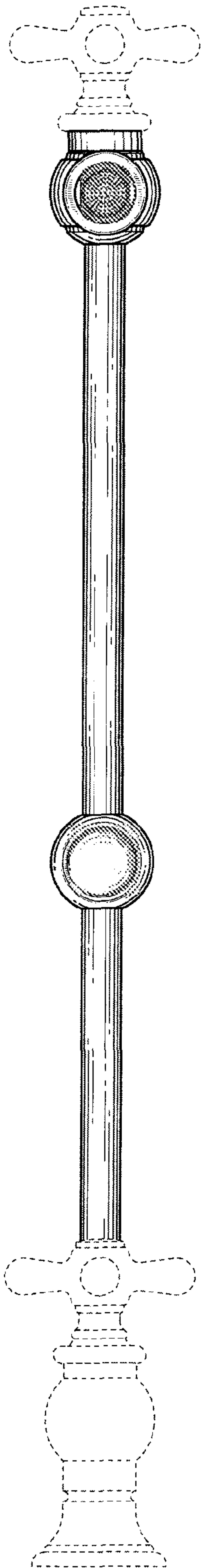
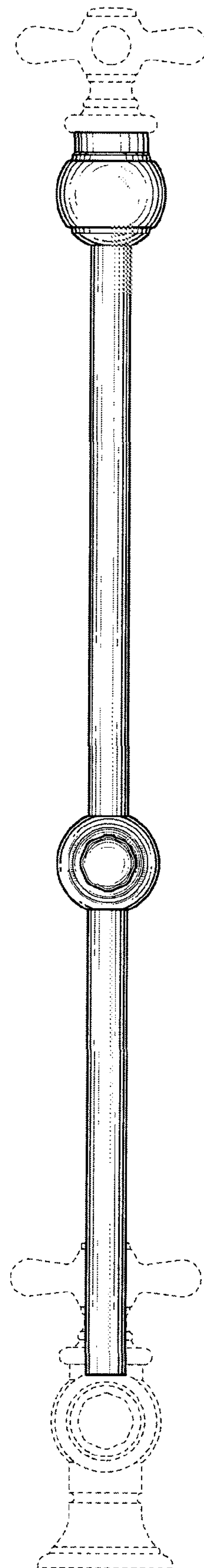


FIG. 6





**FIG. 7**



**FIG. 8**

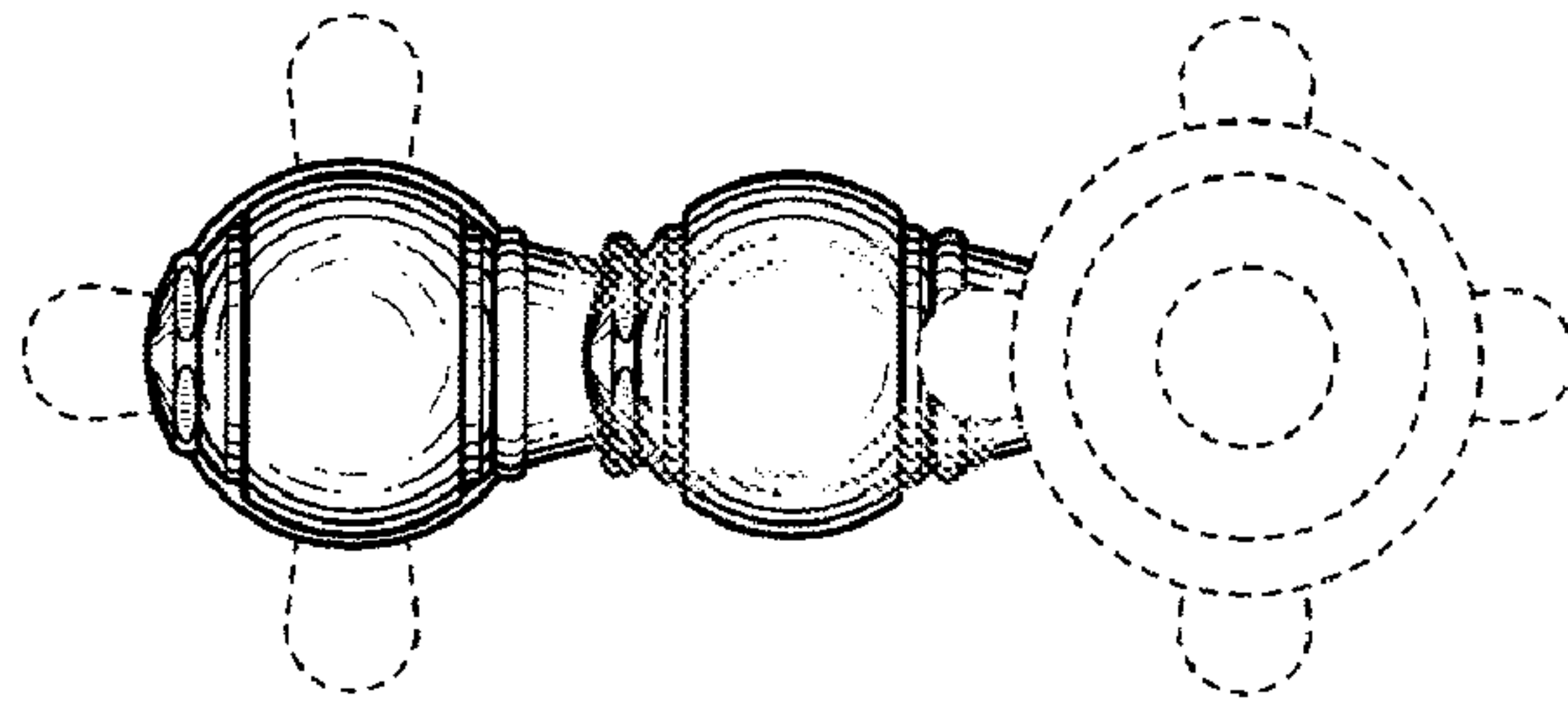


FIG. 12

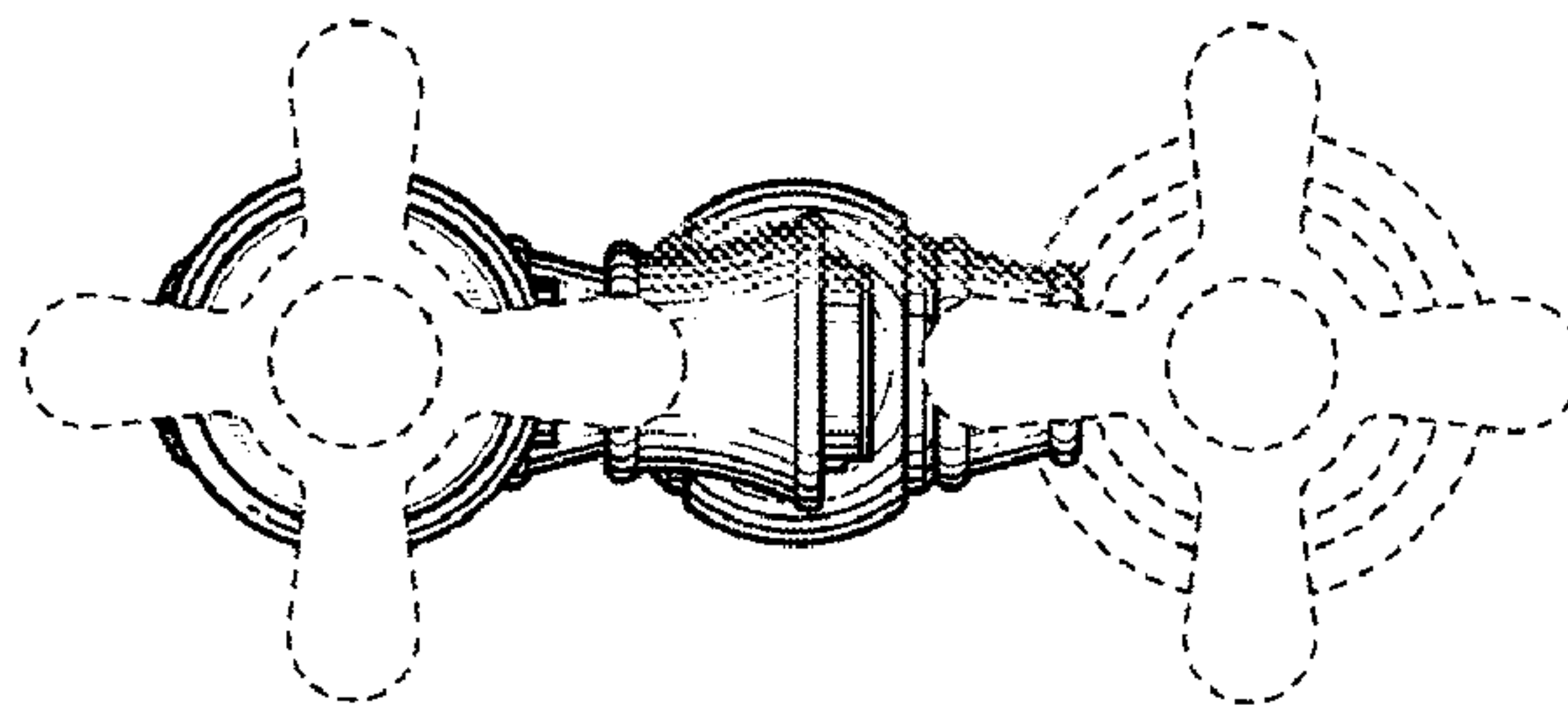


FIG. 9

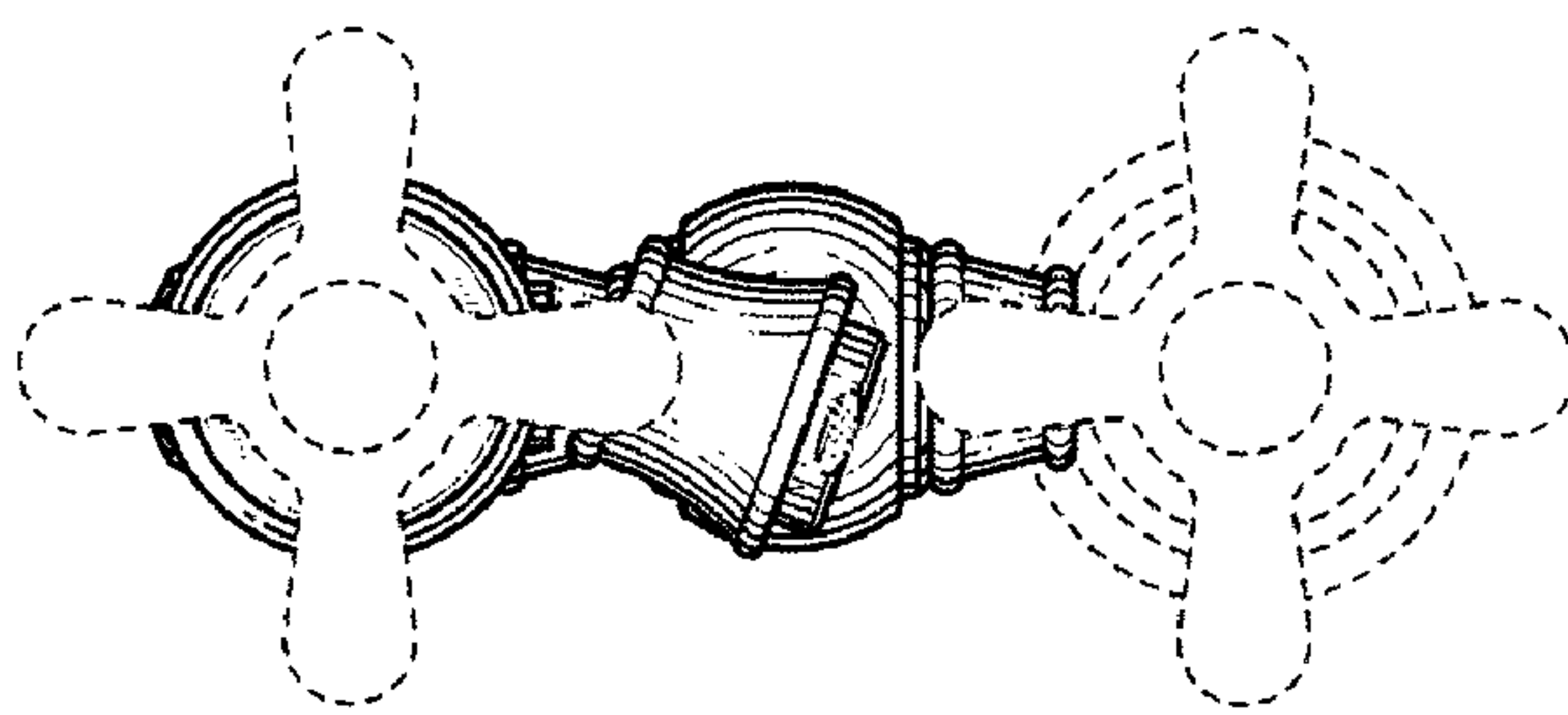


FIG. 11

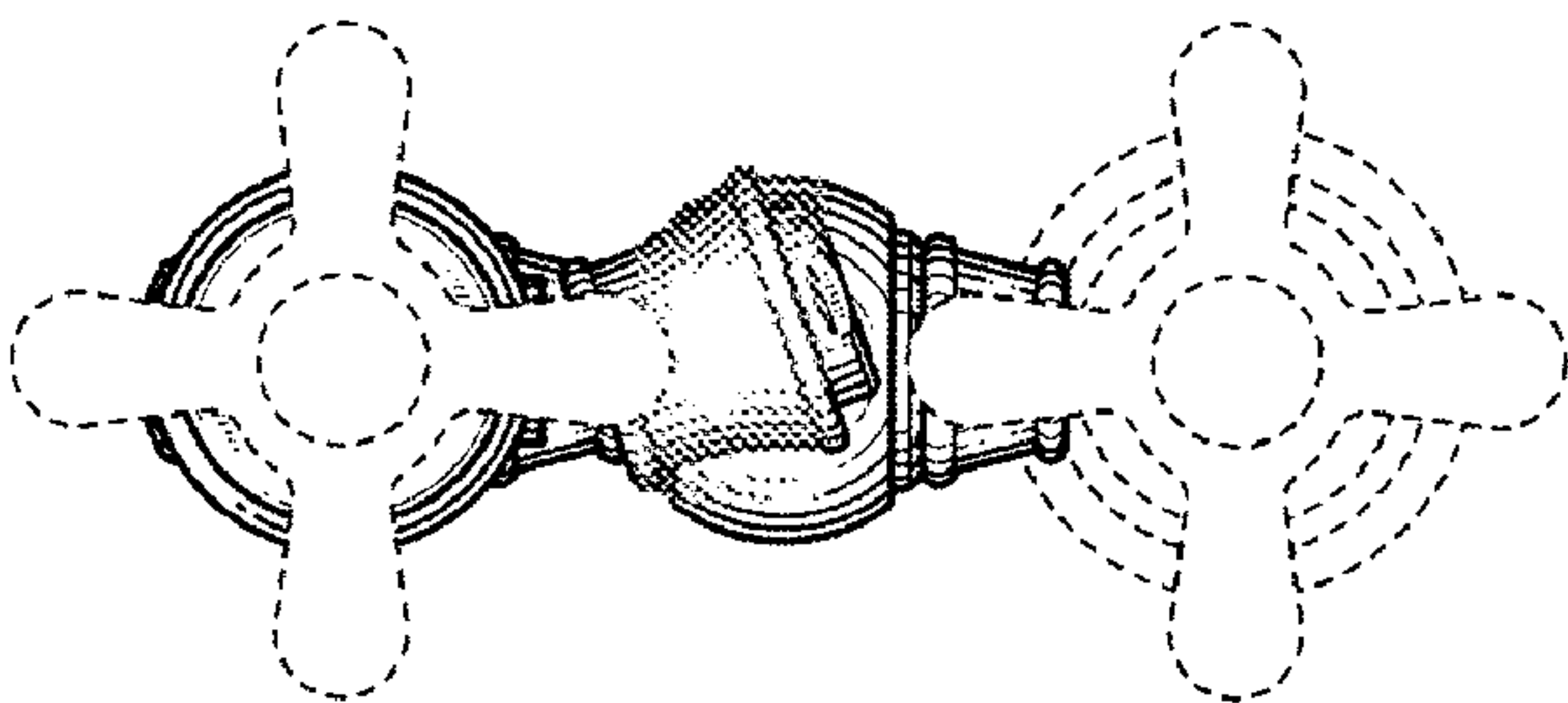


FIG. 10

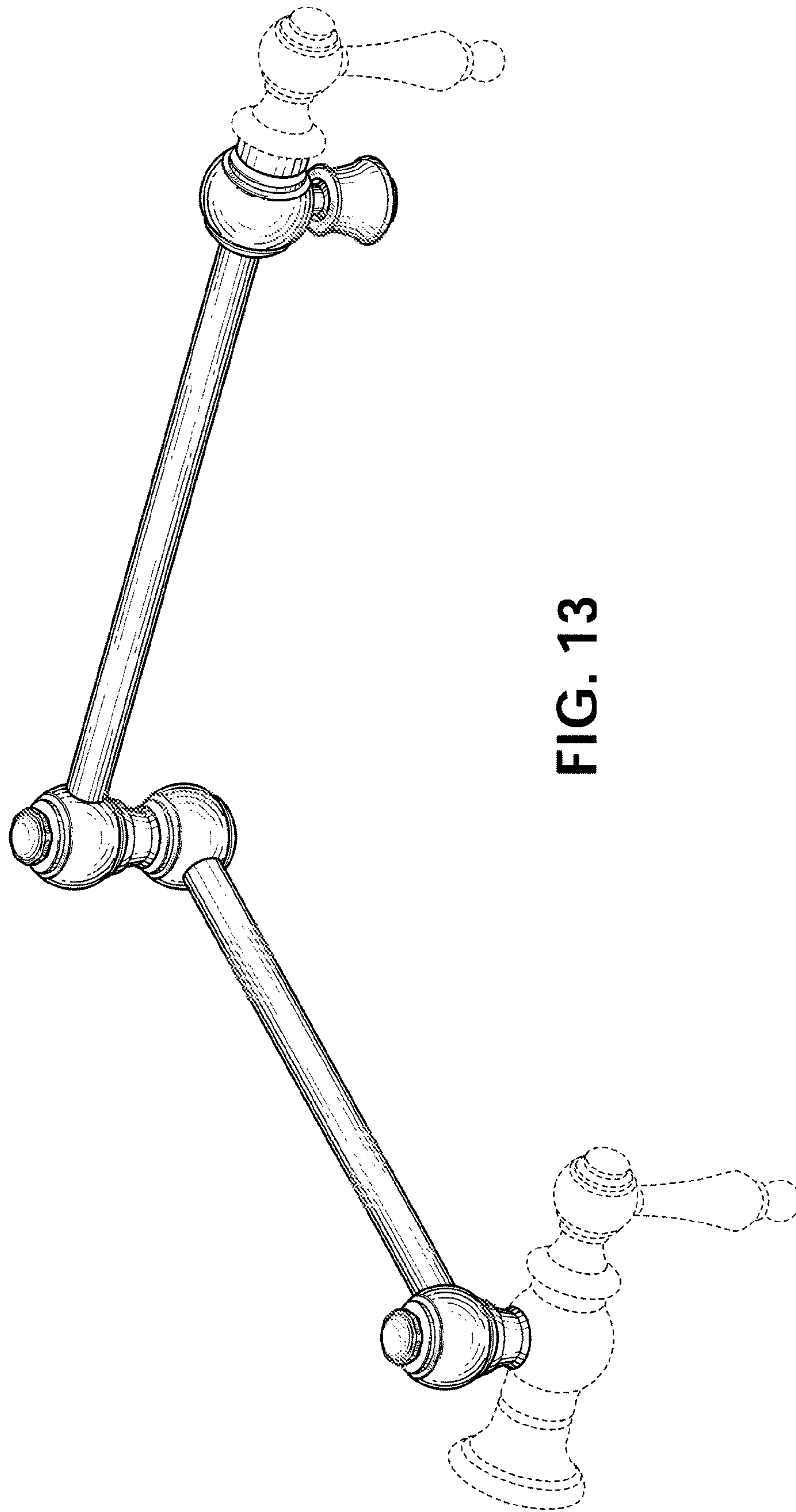


FIG. 13

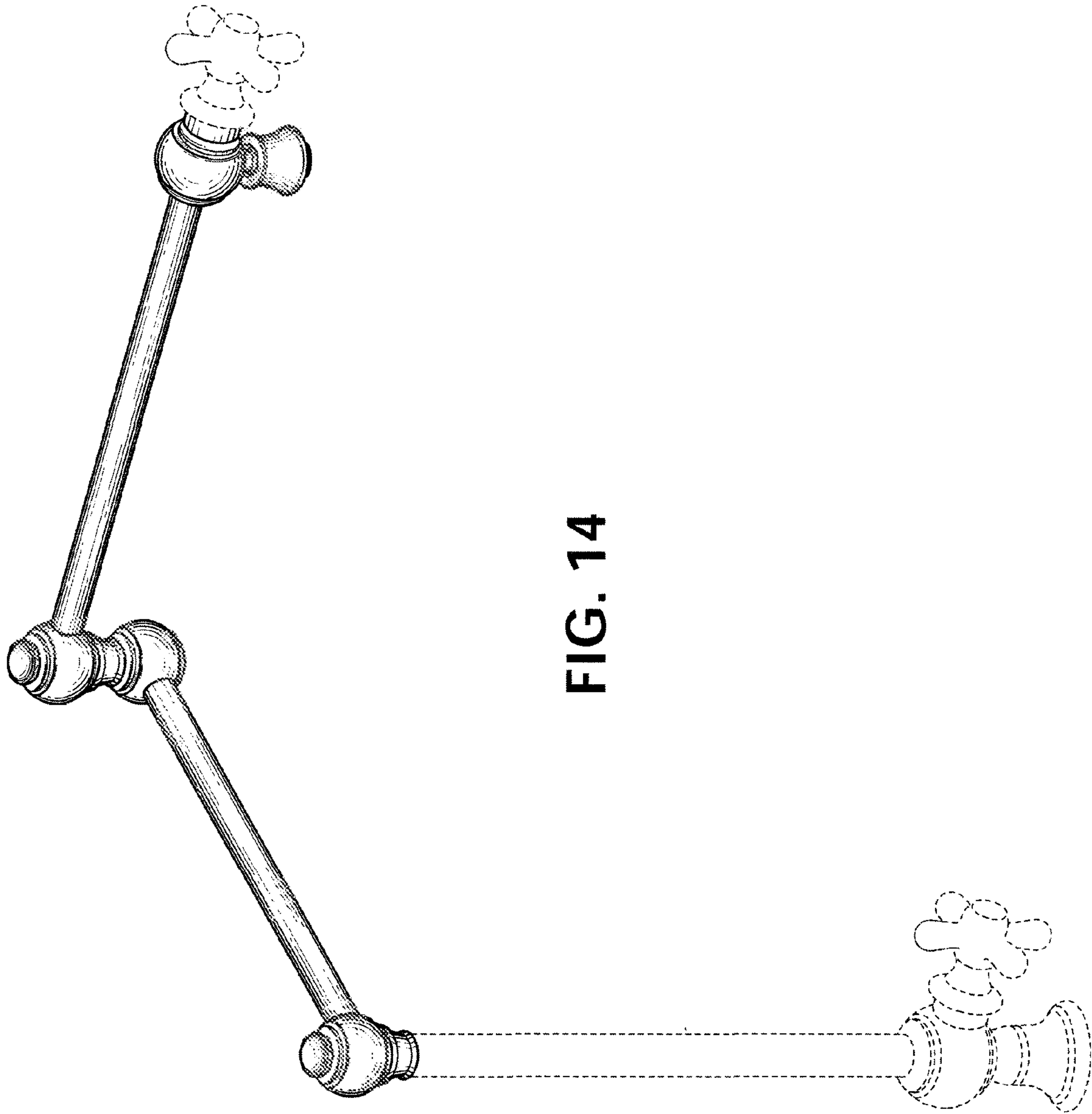


FIG. 14



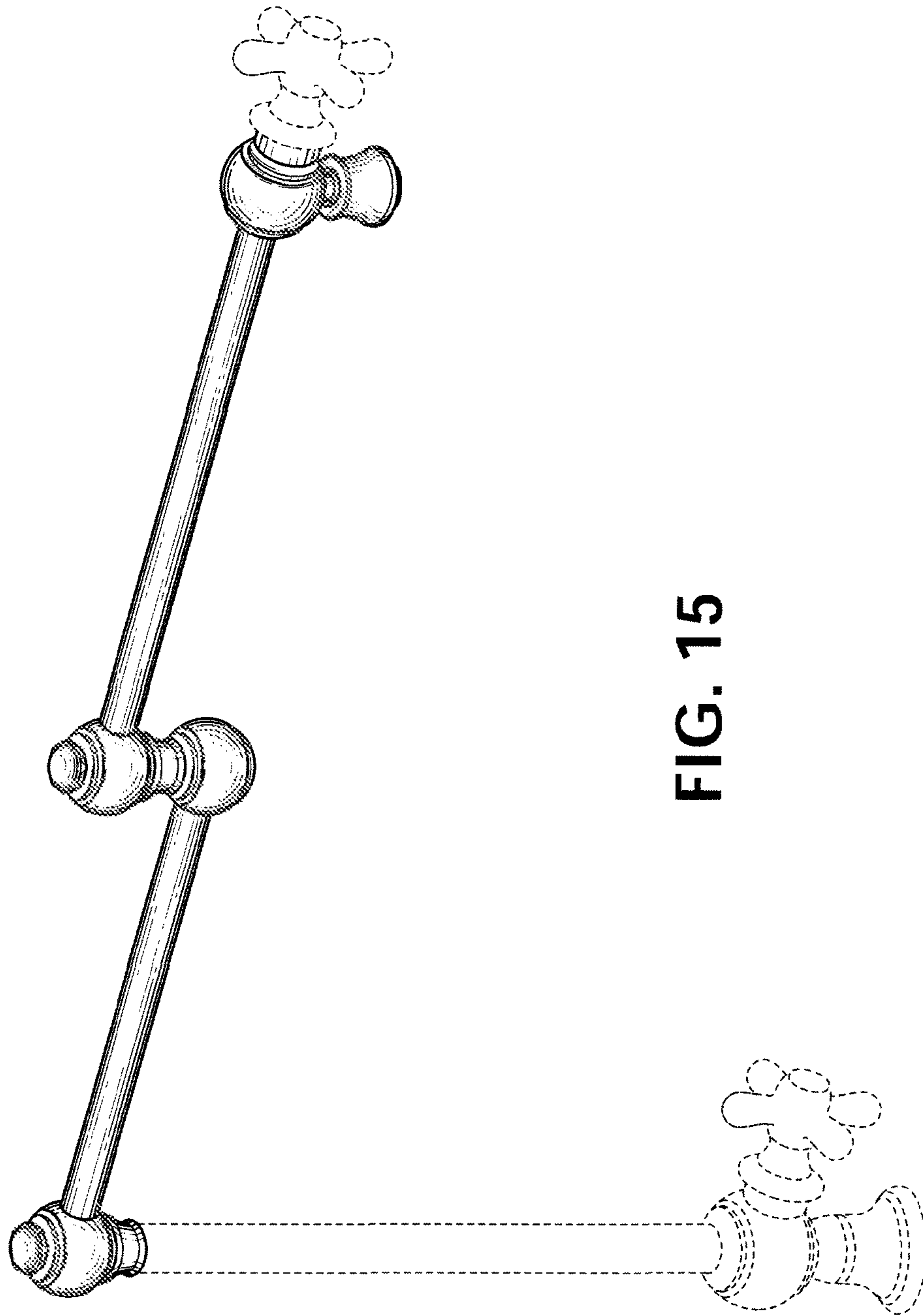


FIG. 15

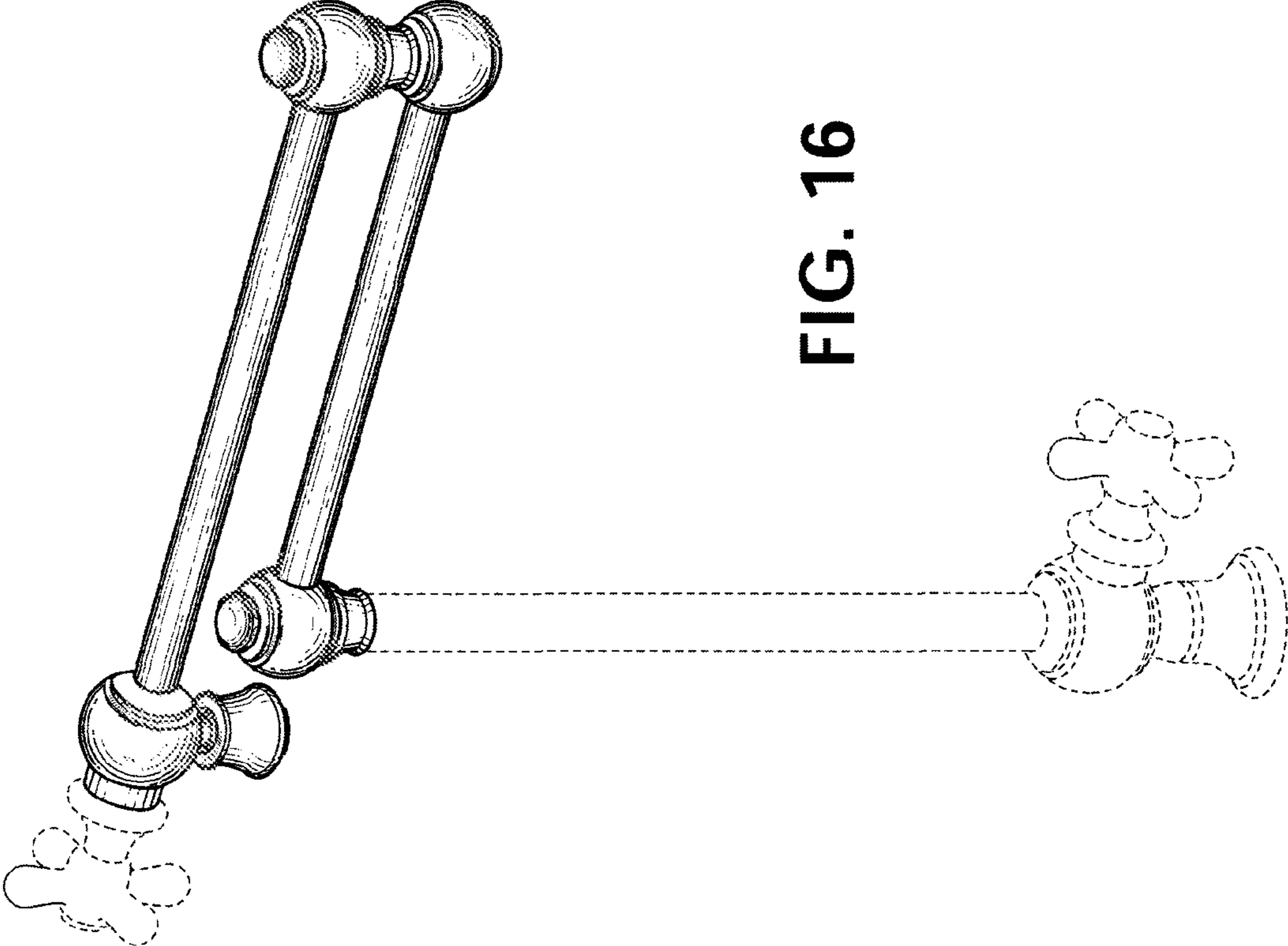


FIG. 16

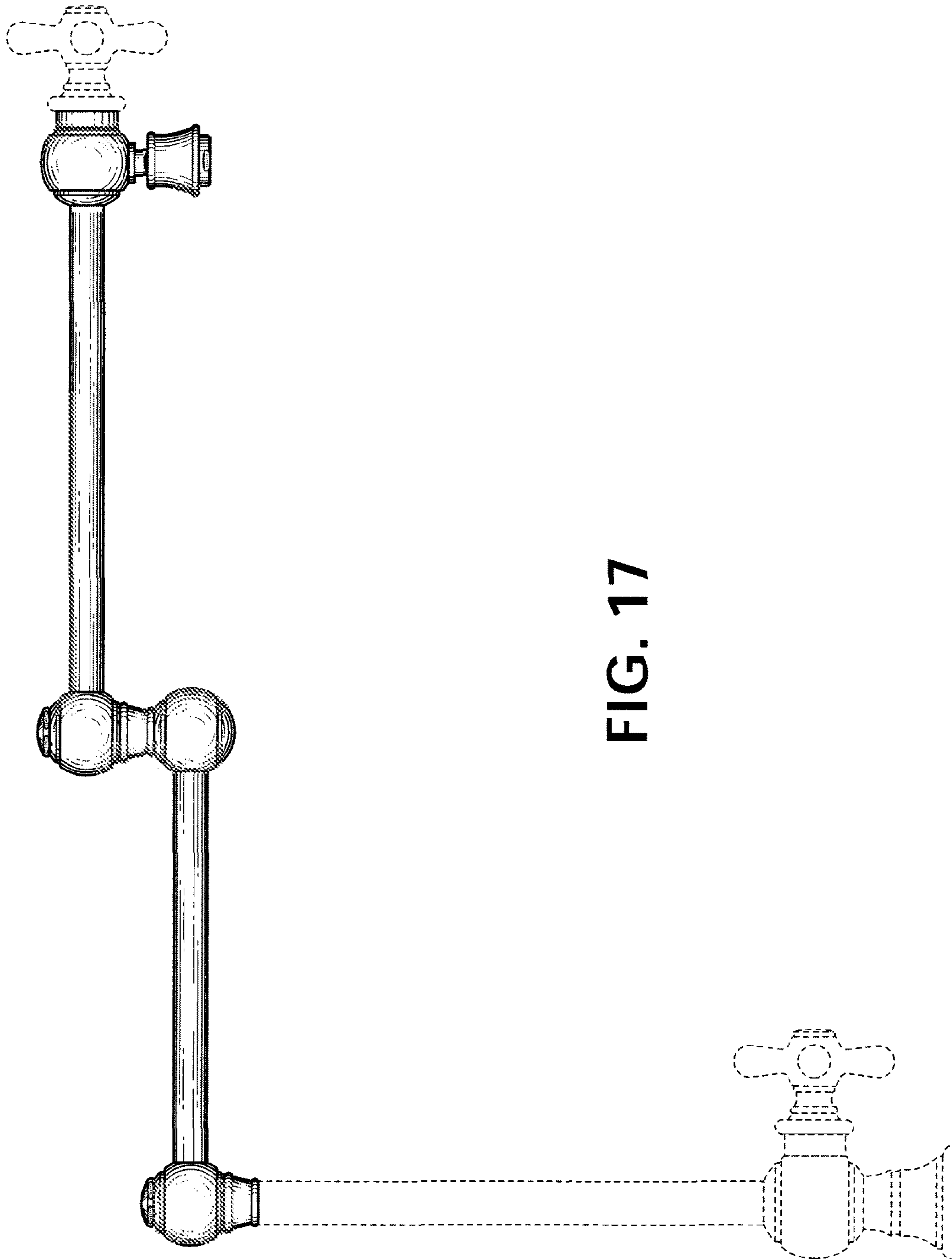


FIG. 17

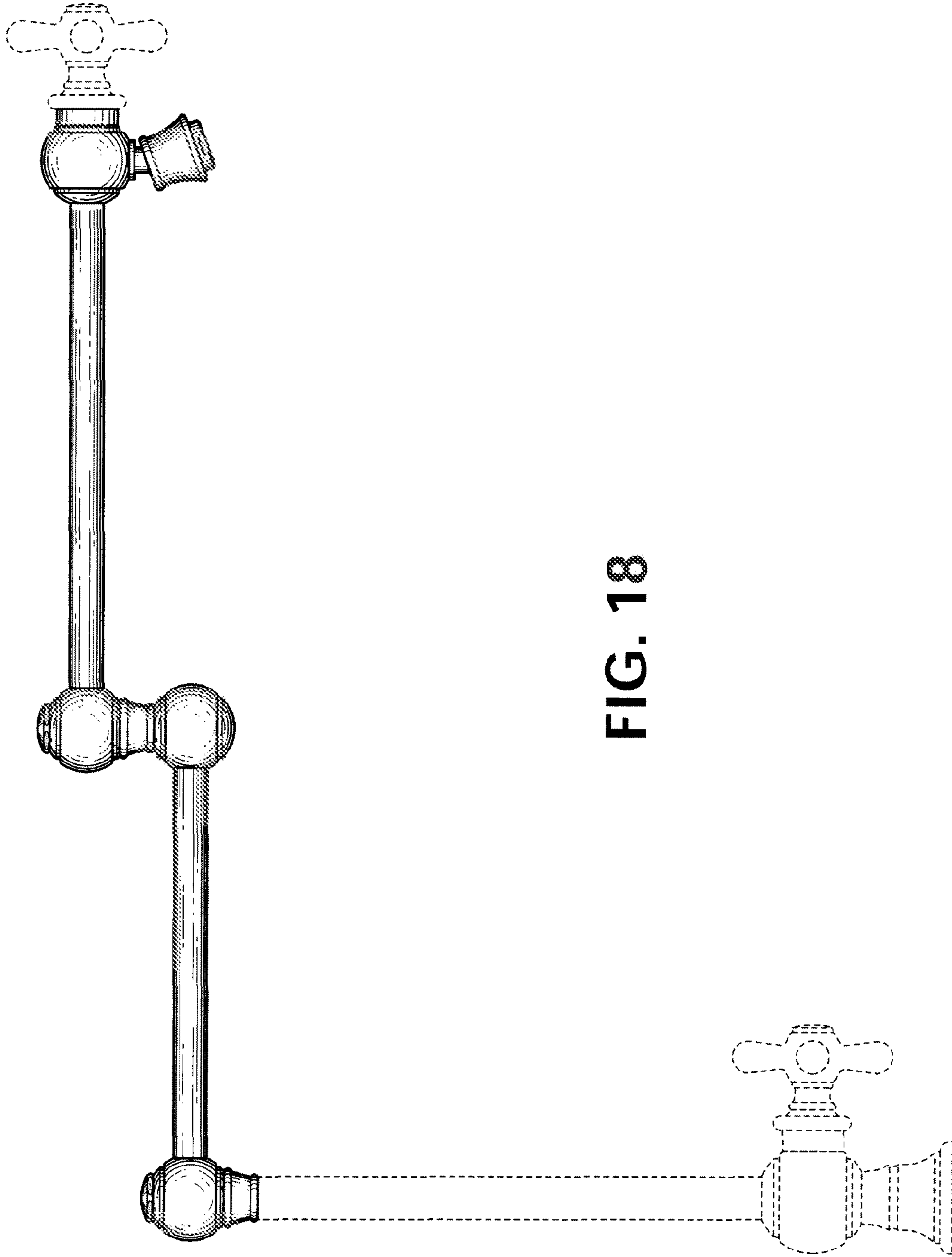


FIG. 18

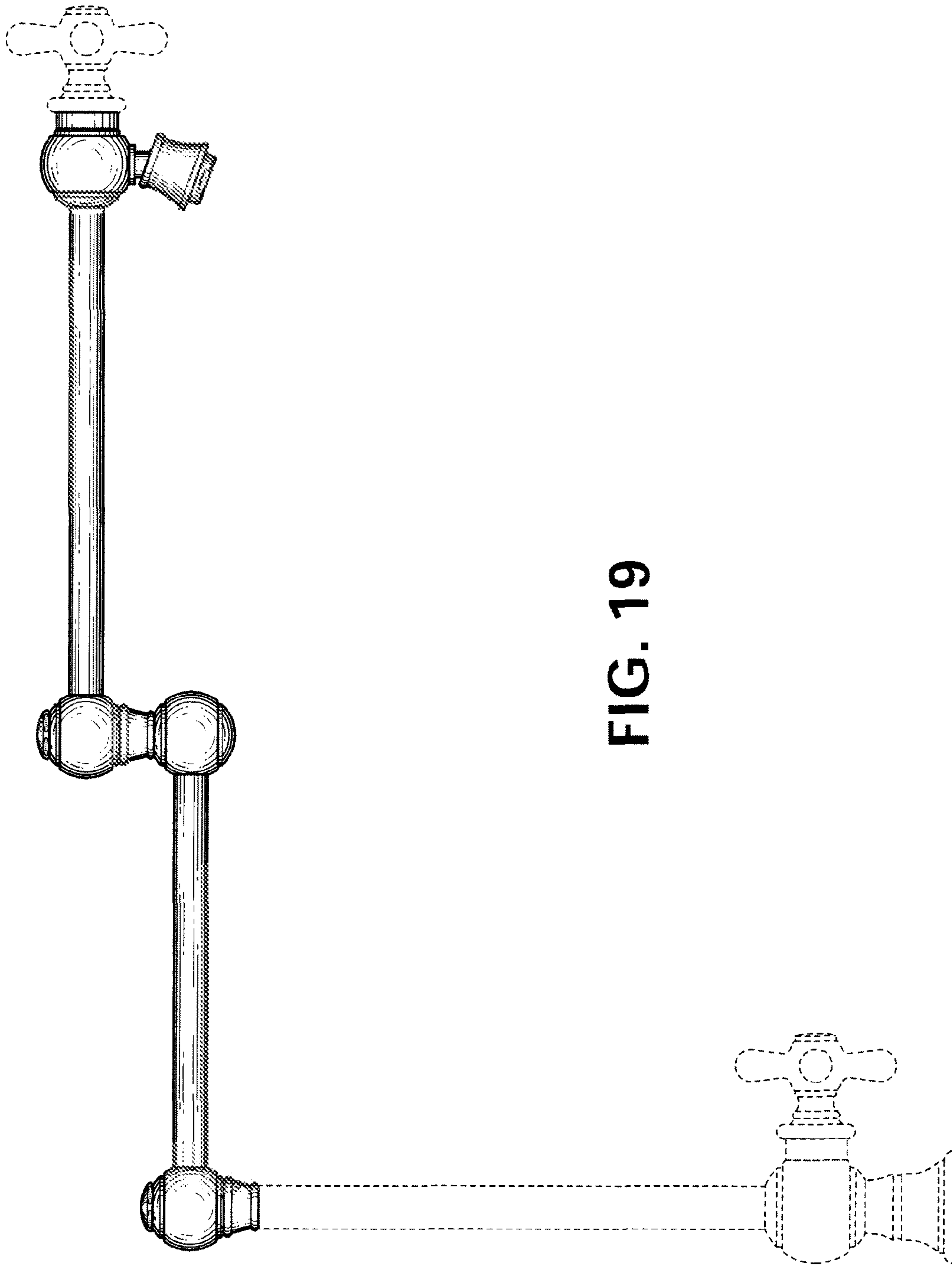


FIG. 19



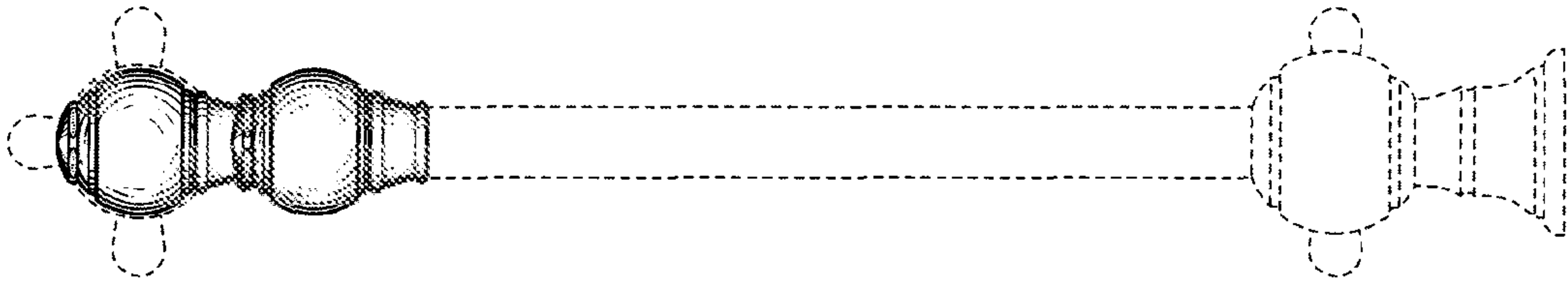


FIG. 23

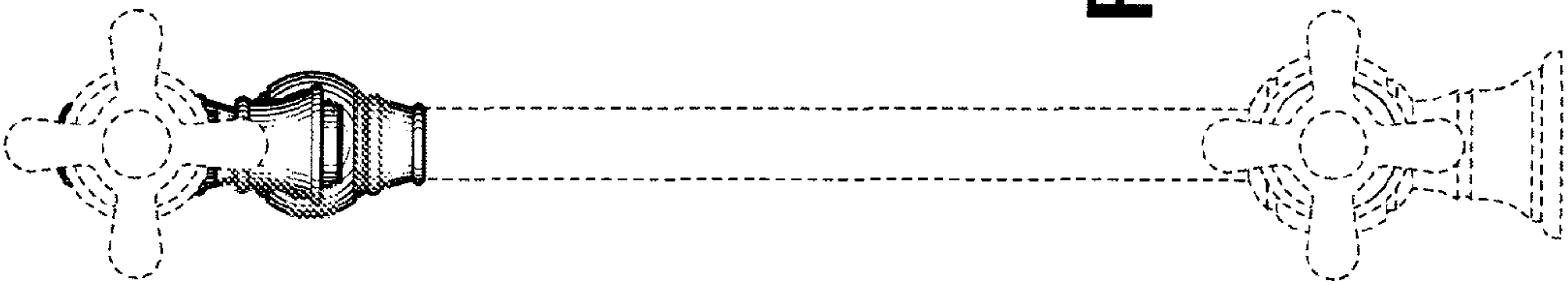


FIG. 20

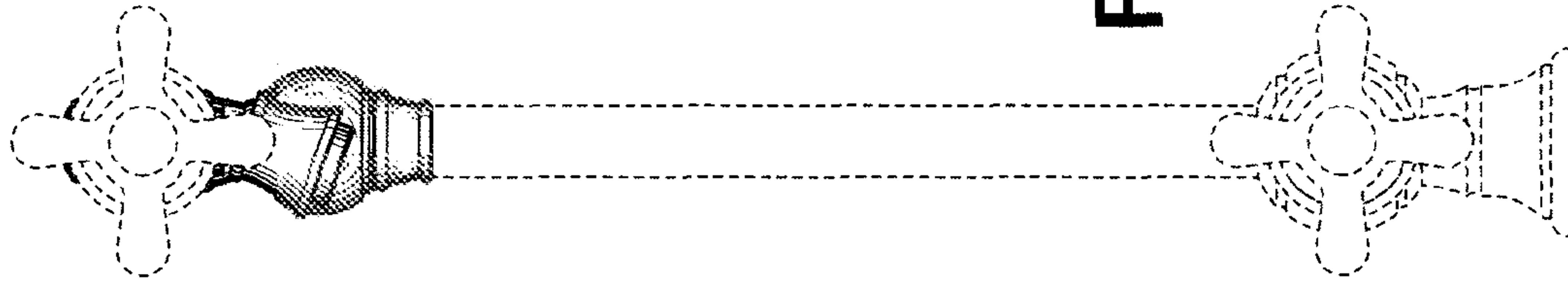


FIG. 22

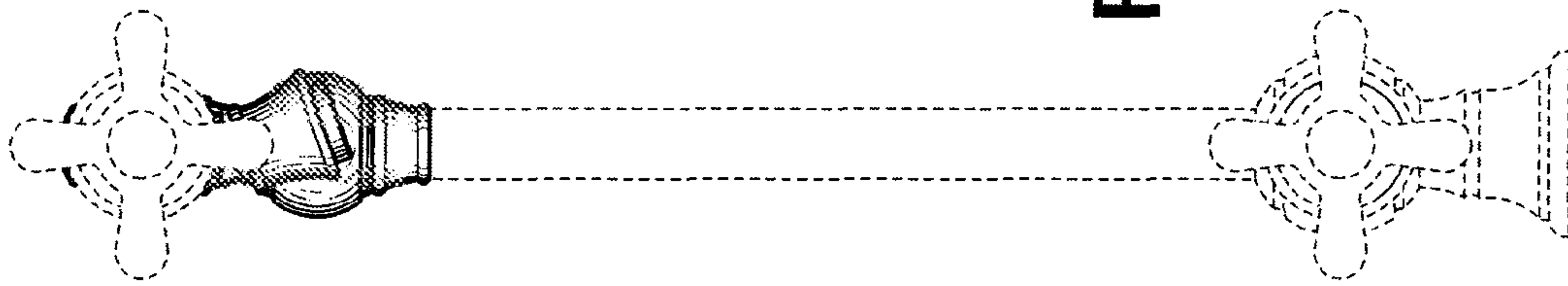
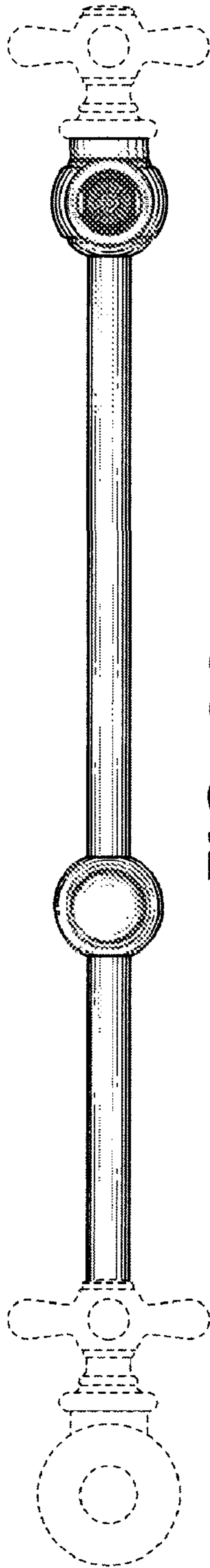
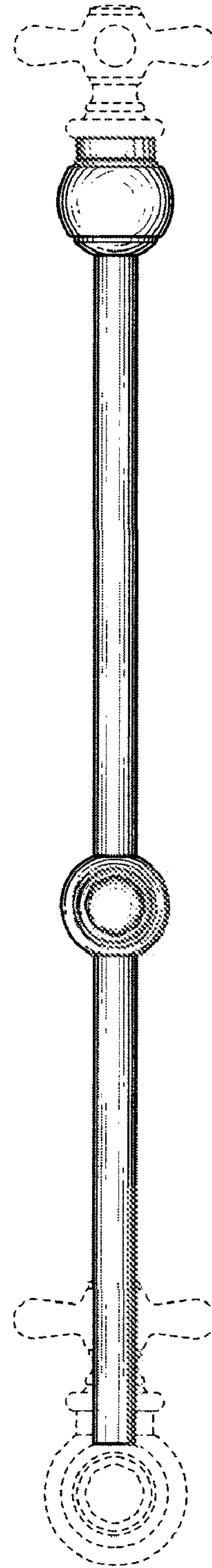


FIG. 21



**FIG. 24**



**FIG. 25**

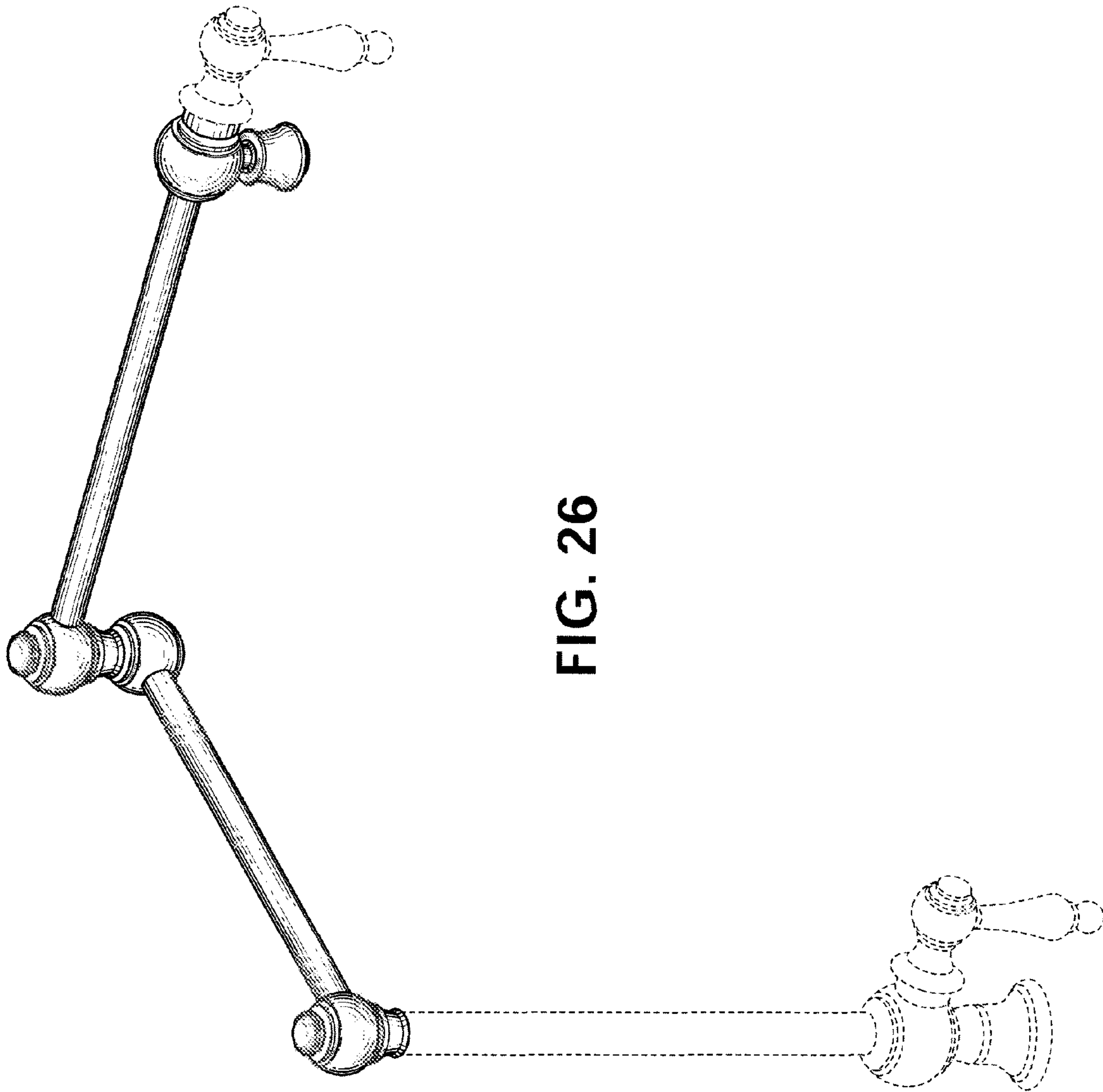


FIG. 26