

US00D560760S

(12) **United States Design Patent**
Heck et al.

(10) **Patent No.:** **US D560,760 S**
(45) **Date of Patent:** **** Jan. 29, 2008**

(54) **FAUCET ASSEMBLY**

(75) Inventors: **Felix Heck**, Munich (DE); **Andreas Haug**, Stuttgart (DE); **Tom Schönherr**, Stuttgart (DE); **Andreas Dimitriadis**, Lorch (DE); **Peter Kolin**, Schwäbisch Gmünd (DE)

(73) Assignee: **Hansgrohe AG** (DE)

(**) Term: **14 Years**

(21) Appl. No.: **29/247,355**

(22) Filed: **Jun. 13, 2006**

(30) **Foreign Application Priority Data**

Dec. 14, 2005 (EP) 000447933-0004

(51) **LOC (8) Cl.** **23-01**

(52) **U.S. Cl.** **D23/238; D23/249**

(58) **Field of Classification Search** 4/671-678;
137/801, 615

See application file for complete search history.

(56) **References Cited**

U.S. PATENT DOCUMENTS

D78,614 S *	5/1929	Brown	D23/250
D321,630 S *	11/1991	Hollinger	D23/250
D327,531 S *	6/1992	Ko	D23/250
D418,205 S *	12/1999	Hyde et al.	D23/250
D433,733 S *	11/2000	Lord	D23/250
D436,864 S *	1/2001	Slater	D23/250
D459,445 S *	6/2002	Mullenmeister	D23/254

D477,386 S *	7/2003	Schönherr et al.	D23/250
D509,285 S *	9/2005	Blattner et al.	D23/250
D518,879 S *	4/2006	Wolf	D23/250
D521,605 S *	5/2006	Koury et al.	D23/250
D522,635 S *	6/2006	Hoernig	D23/254
D538,403 S *	3/2007	Sallick et al.	D23/250
D538,895 S *	3/2007	Sallick et al.	D23/250
D541,908 S *	5/2007	Haug et al.	D23/250
D542,385 S *	5/2007	Haug et al.	D23/254

* cited by examiner

Primary Examiner—Stella M. Reid

Assistant Examiner—David G Muller

(74) *Attorney, Agent, or Firm*—Leon E. Redman; Lloyd D. Doigan

(57) **CLAIM**

The ornamental design for a faucet assembly, as shown and described.

DESCRIPTION

FIG. 1 is a front perspective view of a faucet assembly showing our design;

FIG. 2 is a top plan view thereof;

FIG. 3 is a front elevational view thereof;

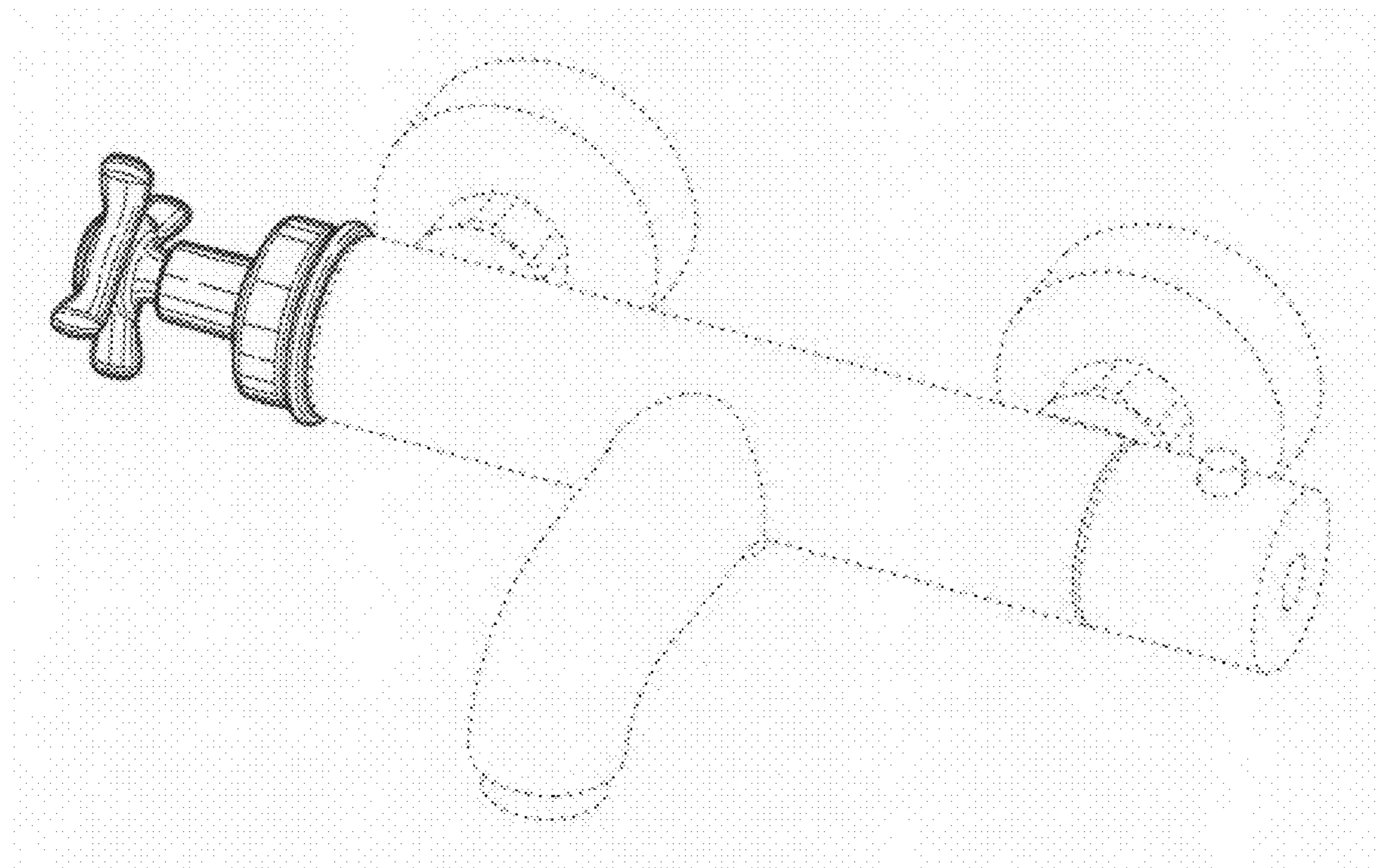
FIG. 4 is a bottom plan view thereof;

FIG. 5 is a right side elevational view thereof; and,

FIG. 6 is a left side elevational view thereof.

The broken lines are for illustrative purposes only and form no part of the claimed design.

1 Claim, 5 Drawing Sheets



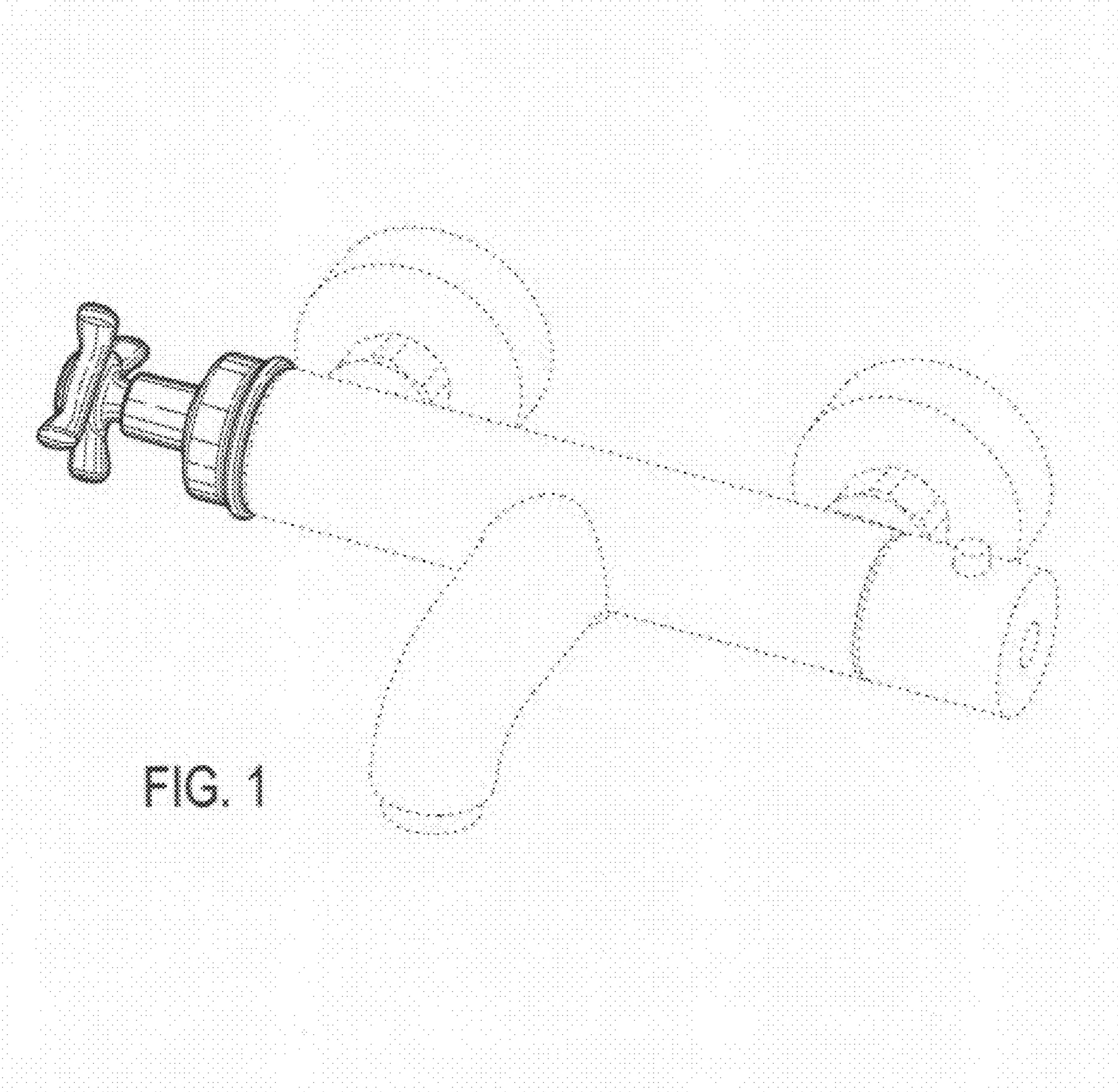


FIG. 1

FIG. 2

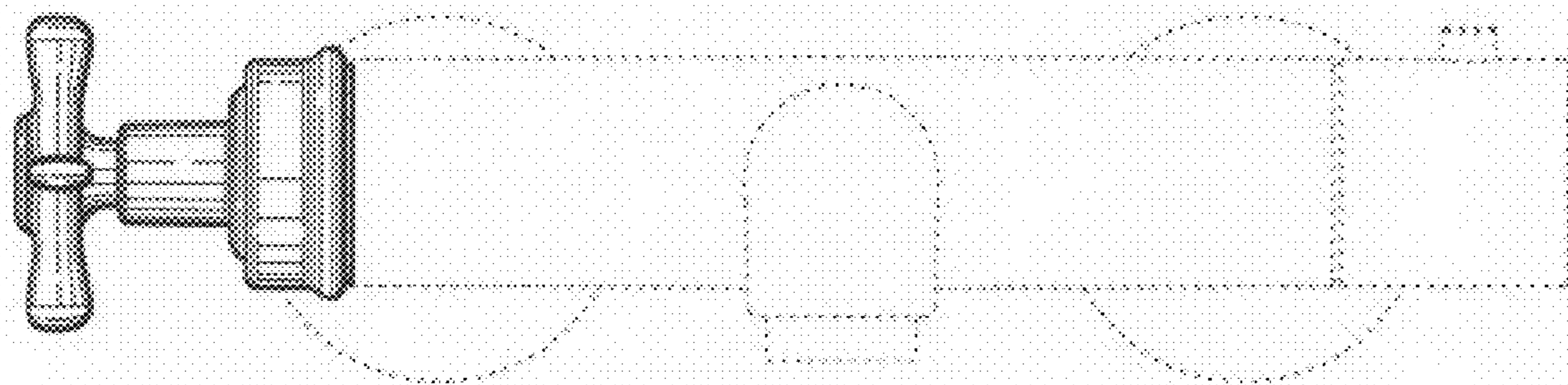
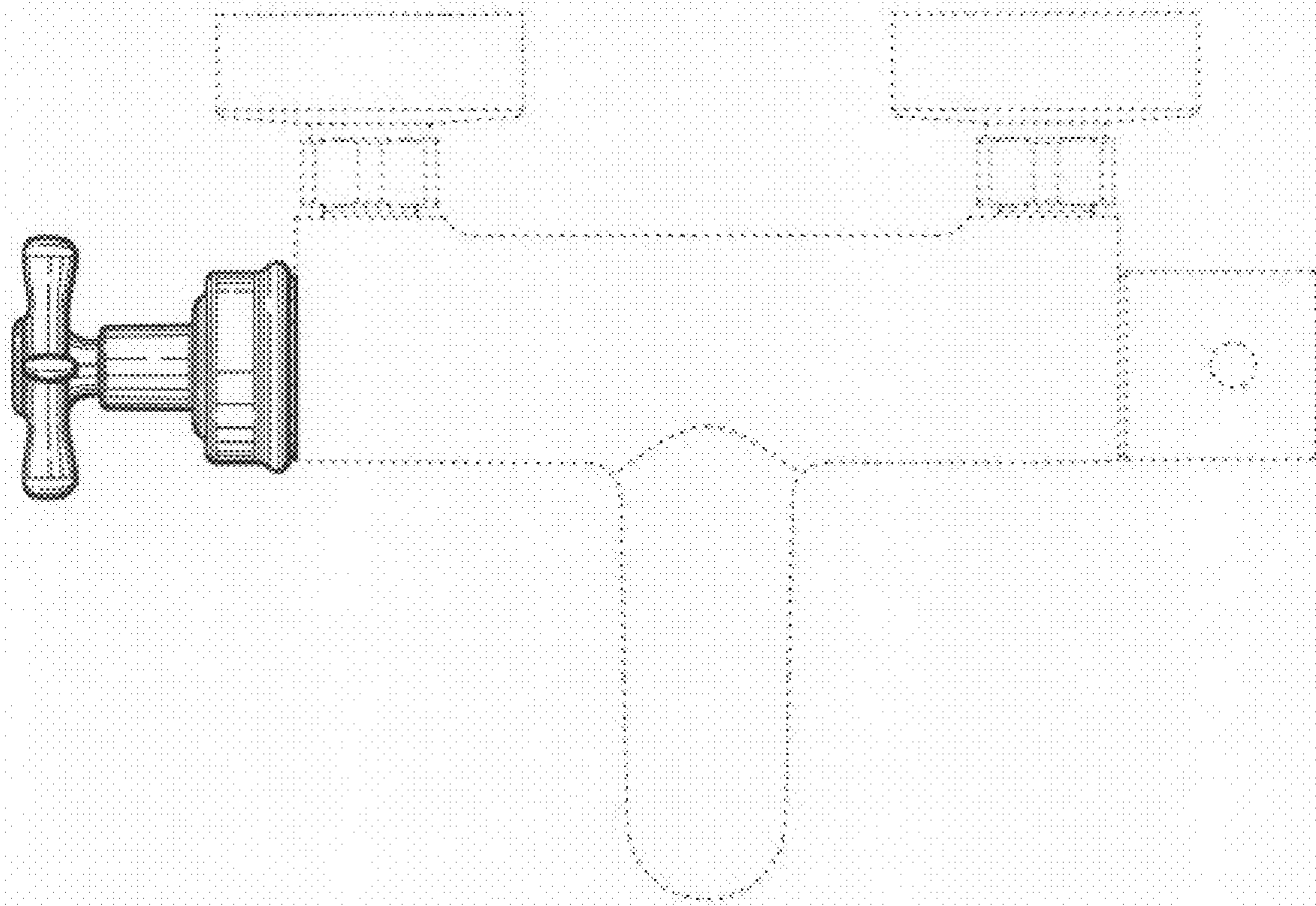
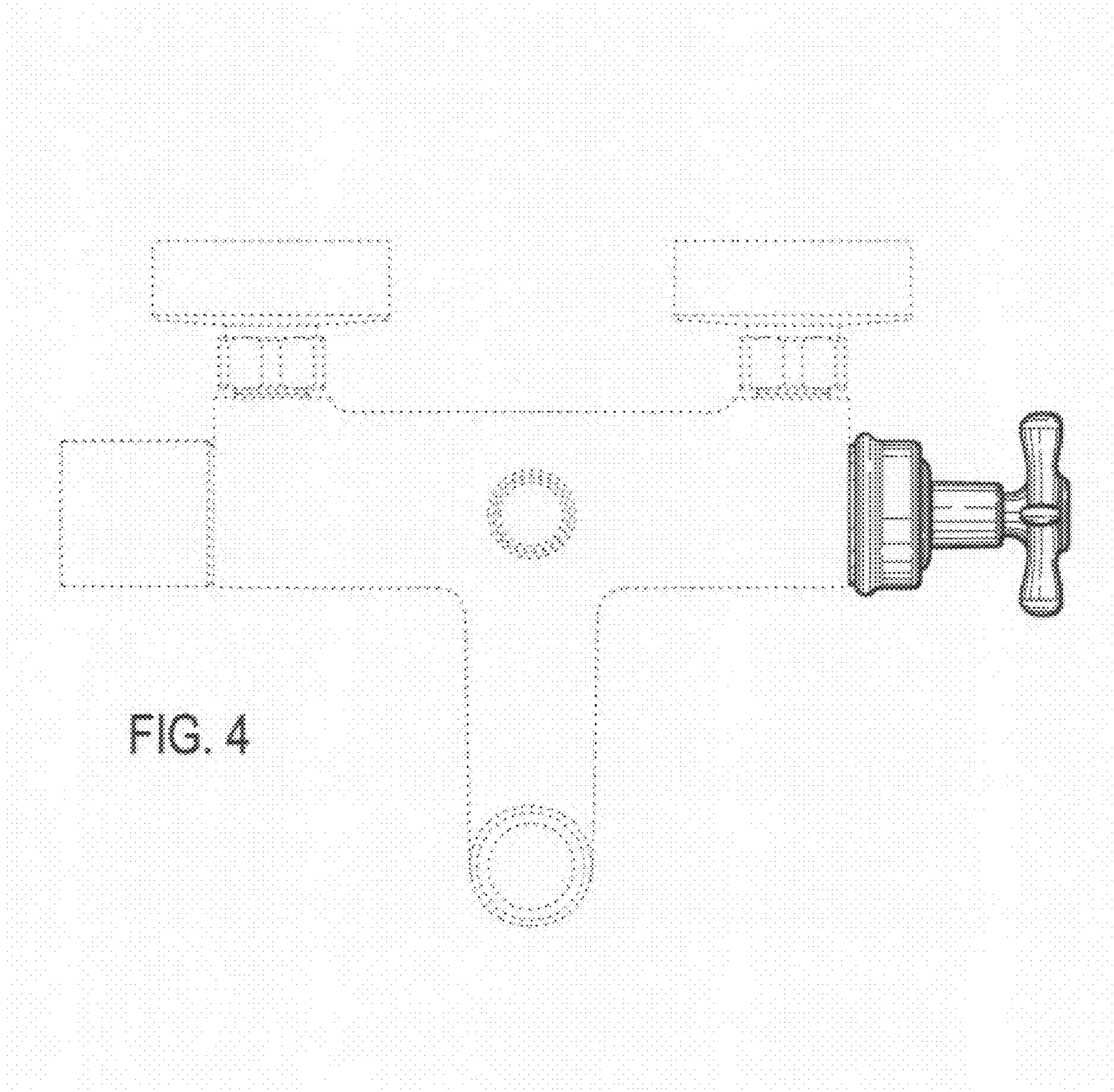


FIG. 3



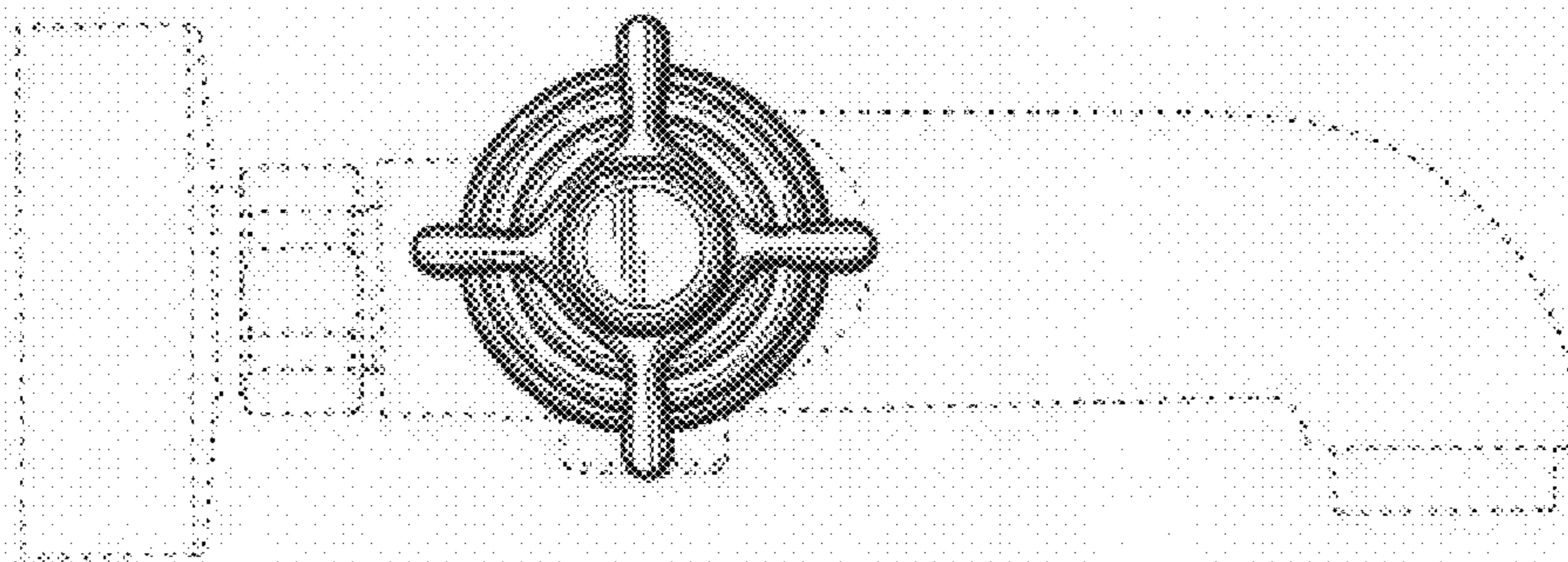


FIG. 5

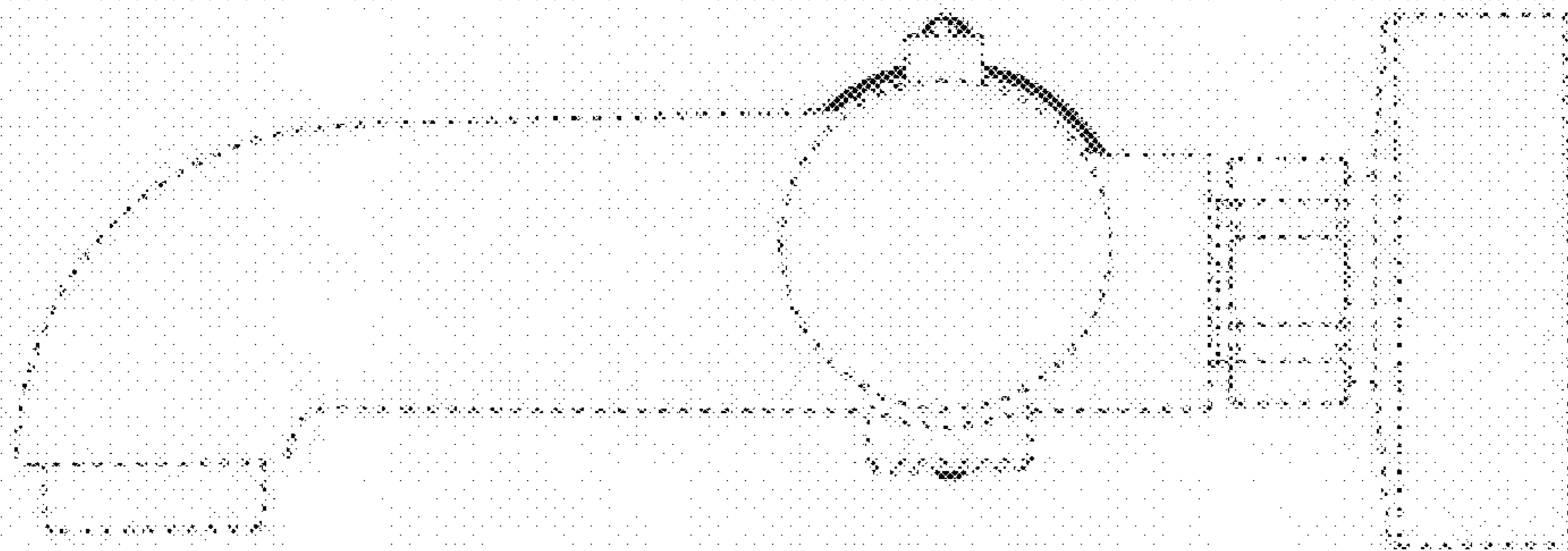


FIG. 6