



US00D560755S

(12) **United States Design Patent**
Porter

(10) **Patent No.:** **US D560,755 S**

(45) **Date of Patent:** **** Jan. 29, 2008**

(54) **AIR TOOL**

(75) Inventor: **Bryan David Porter**, Toledo, OH (US)

(73) Assignee: **Ingersoll-Rand Company**, Montvale, NJ (US)

(**) Term: **14 Years**

(21) Appl. No.: **29/258,988**

(22) Filed: **May 1, 2006**

(51) **LOC (8) Cl.** **23-01**

(52) **U.S. Cl.** **D23/226**

(58) **Field of Classification Search** D23/213,
D23/223, 226; 239/690–691, 525–526
See application file for complete search history.

(56) **References Cited**

U.S. PATENT DOCUMENTS

D223,491 S *	4/1972	Smart et al.	D23/226
6,460,787 B1 *	10/2002	Hartle et al.	239/691
6,467,705 B2 *	10/2002	Robidoux	239/697
D497,661 S *	10/2004	Chen	D23/226
D537,505 S *	2/2007	Huang	D23/226

OTHER PUBLICATIONS

Photographs of air tools publicly available prior to May 1, 2006.

* cited by examiner

Primary Examiner—Robin V Webster

(74) *Attorney, Agent, or Firm*—Michael Best & Friedrich LLP

(57) **CLAIM**

I claim the ornamental design for an air tool, as shown and described.

DESCRIPTION

FIG. 1 is a perspective view of an air tool, such as a paint sprayer.

FIG. 2 is a top view of the tool shown in FIG. 1.

FIG. 3 is a bottom view of the tool shown in FIG. 1.

FIG. 4 is a front view of the tool shown in FIG. 1.

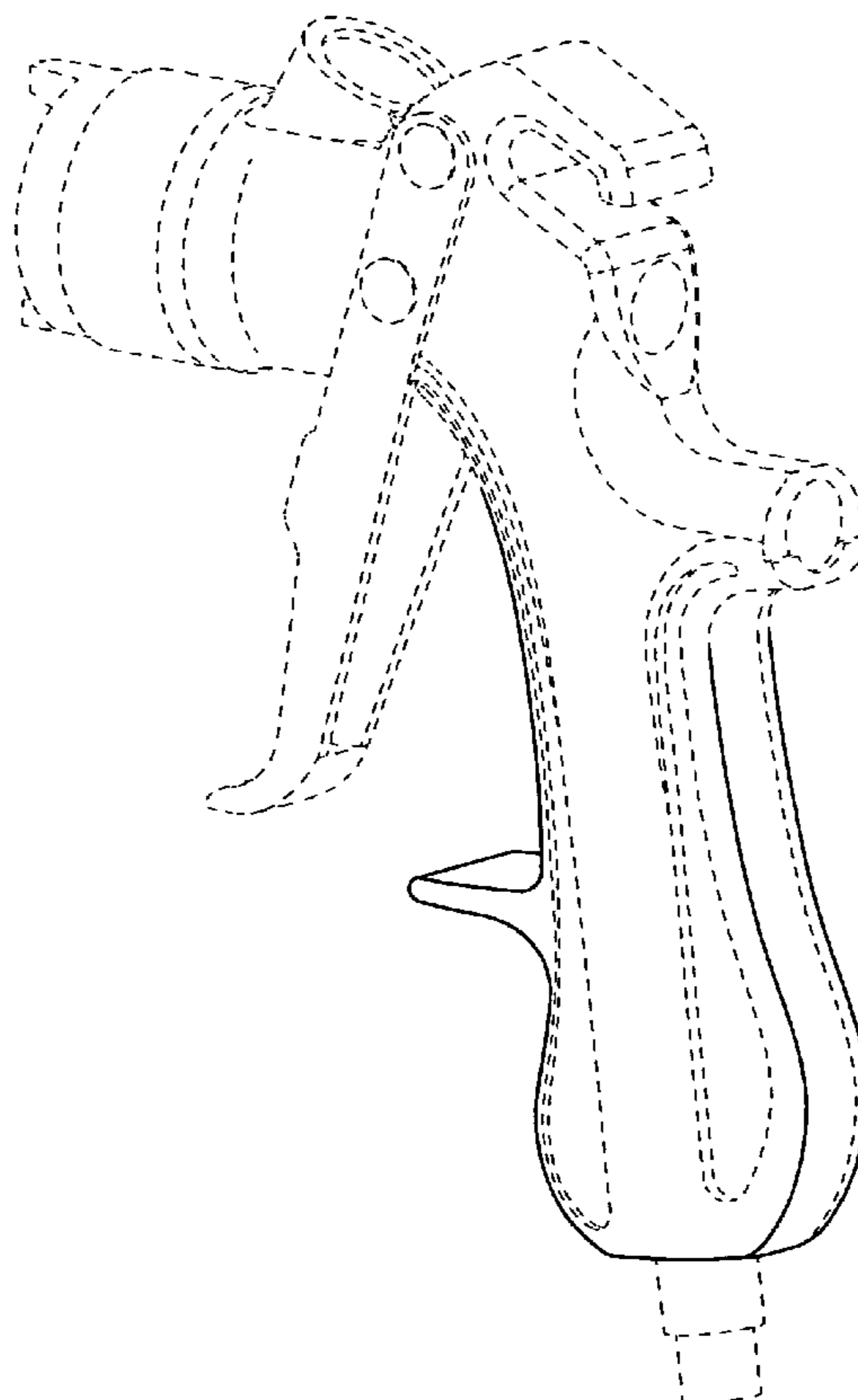
FIG. 5 is a rear view of the tool shown in FIG. 1.

FIG. 6 is a right side view of the tool shown in FIG. 1; and,

FIG. 7 is a left side view of the tool shown in FIG. 1.

The present application is directed to the shape and contour of the design illustrated in the drawings. The broken line showing of the environment is for illustrative purposes only and forms no part of the claimed design. The broken lines which define the boundaries of the claimed design form no part thereof.

1 Claim, 4 Drawing Sheets



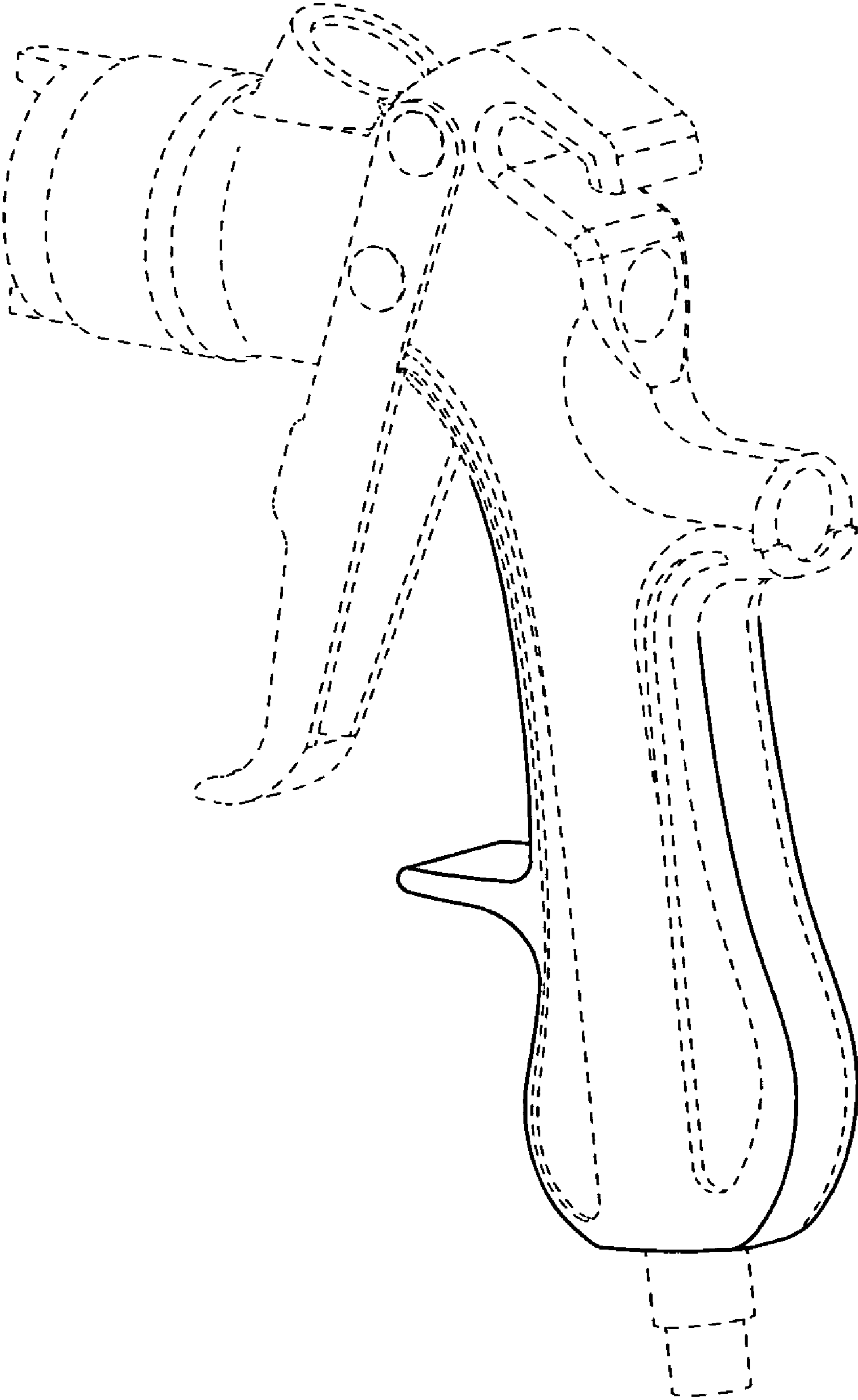


FIG. 1

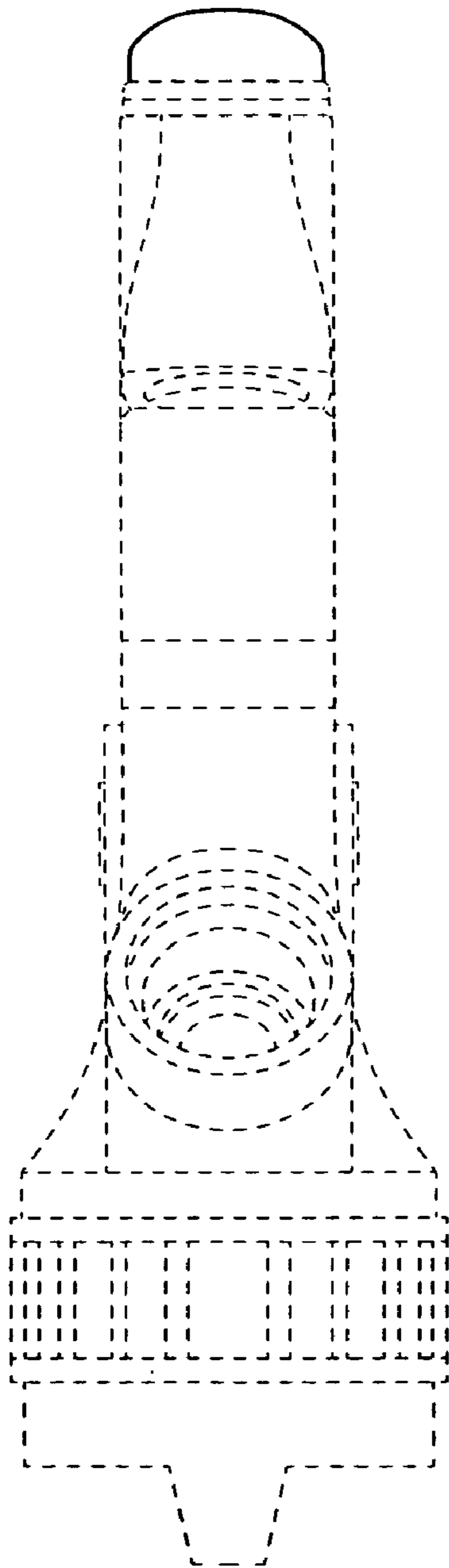


FIG. 2

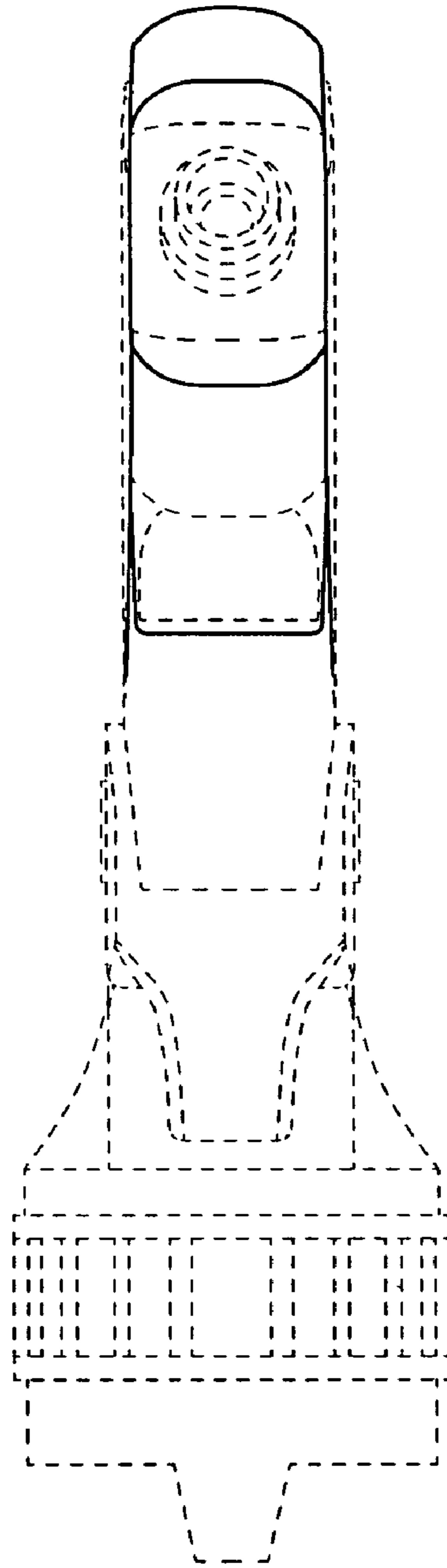


FIG. 3

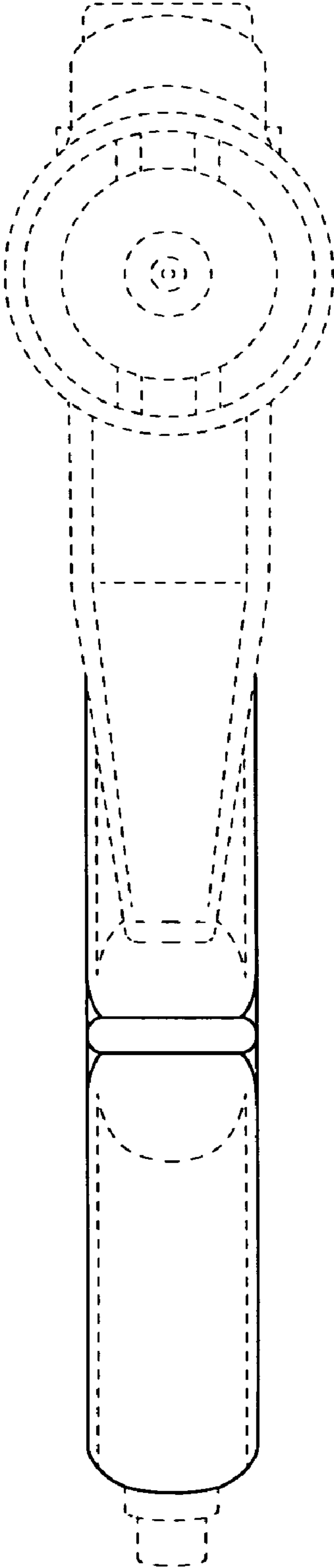


FIG. 4

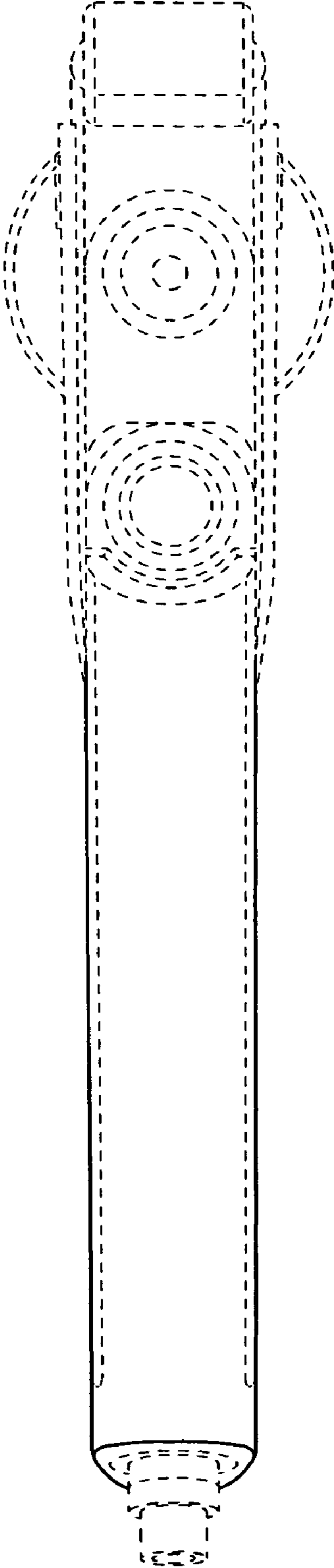


FIG. 5

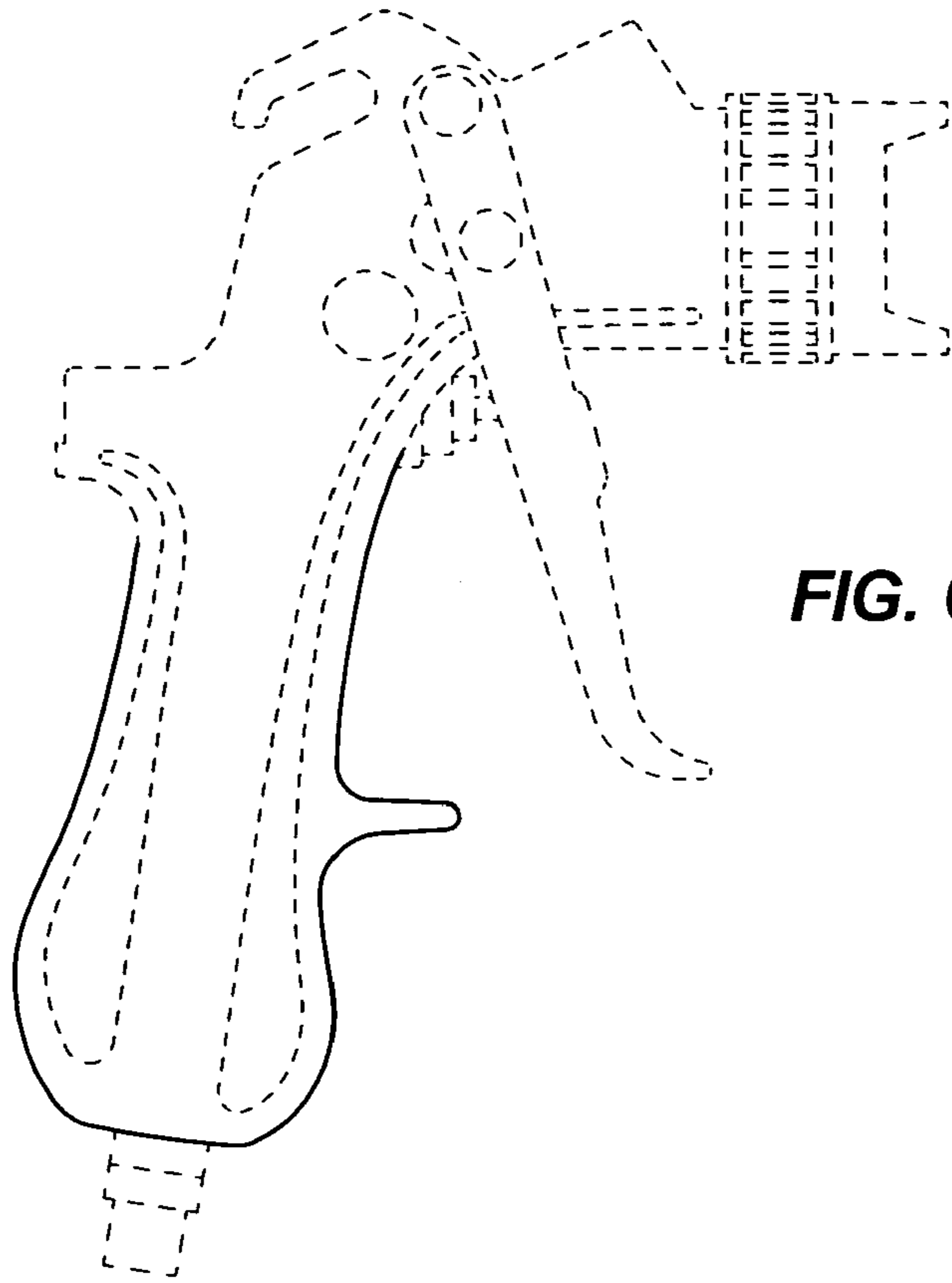


FIG. 6

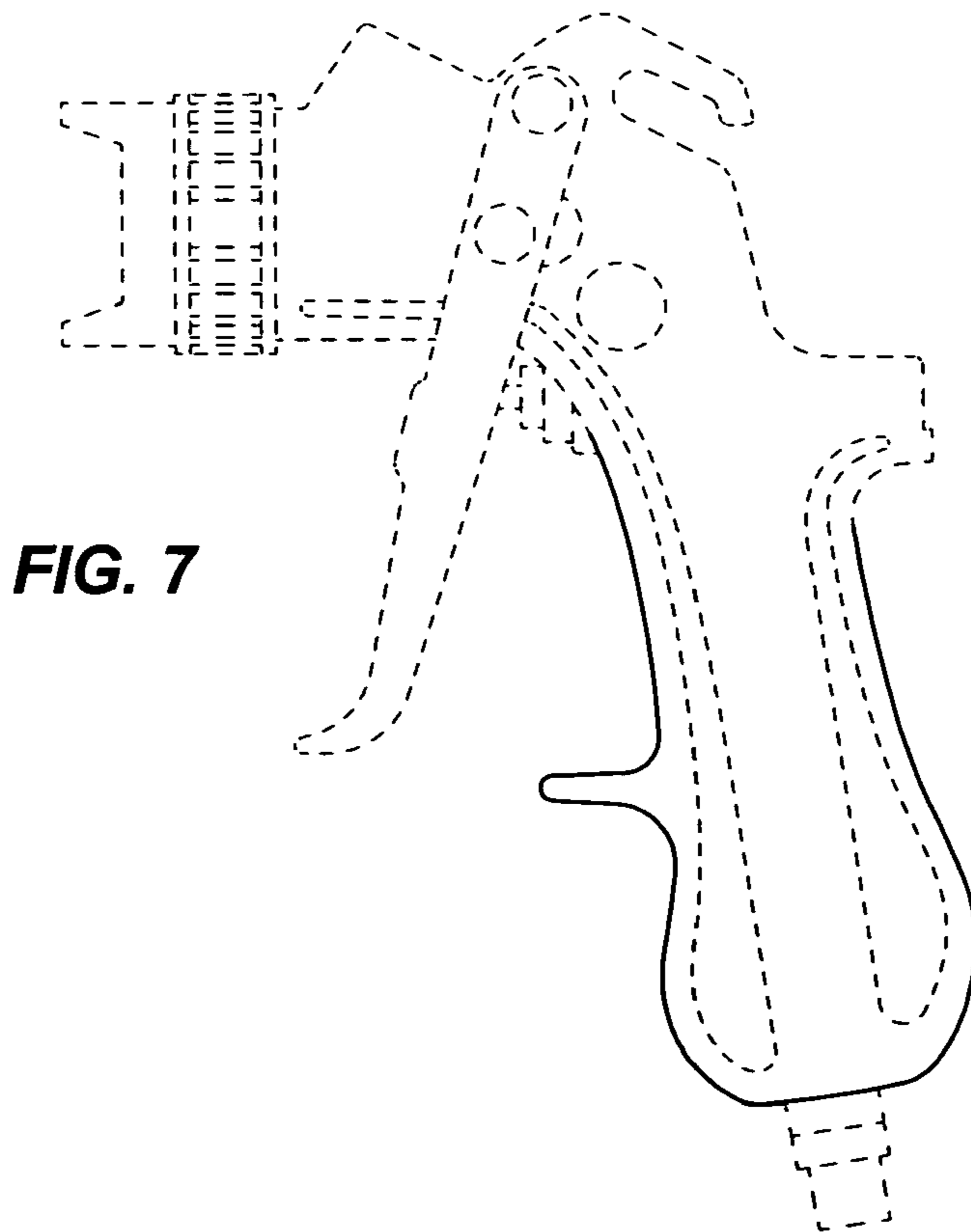


FIG. 7