



US00D560754S

(12) **United States Design Patent** (10) **Patent No.:** **US D560,754 S**  
**Nobili** (45) **Date of Patent:** **\*\* Jan. 29, 2008**

(54) **SHOWER HEAD**

(76) Inventor: **Fabrizio Nobili**, Zona Industriale, San Vittore (CH) CH-6534

(\*\*) Term: **14 Years**

(21) Appl. No.: **29/280,210**

(22) Filed: **May 21, 2007**

**Related U.S. Application Data**

(62) Division of application No. 29/240,121, filed on Oct. 11, 2005, now abandoned.

(30) **Foreign Application Priority Data**

Apr. 25, 2005 (EM) ..... 000334123

(51) **LOC (8) Cl.** ..... **23-01**

(52) **U.S. Cl.** ..... **D23/223**

(58) **Field of Classification Search** ..... D23/213,  
D23/223, 226; 239/525-527, 394, 282-3  
See application file for complete search history.

(56) **References Cited**

**U.S. PATENT DOCUMENTS**

4,107,046 A	8/1978	Corder	210/282
4,162,028 A	7/1979	Reichenberger	222/129.4
4,629,125 A	12/1986	Liu	239/443
5,145,114 A	9/1992	Mönch	239/126
5,467,927 A	11/1995	Lee	239/383
5,735,467 A	4/1998	Lee	239/414
5,744,033 A	4/1998	Bertrand et al.	210/282
5,823,229 A	10/1998	Bertrand et al.	137/614.2
5,858,215 A	1/1999	Burchard et al.	210/87
D416,979 S *	11/1999	Bosio	D23/223
6,000,626 A	12/1999	Futo et al.	239/74
D425,177 S *	5/2000	Bosio	D23/223
6,093,313 A	7/2000	Bovaird et al.	210/94
D432,623 S *	10/2000	Sawhney et al.	D23/223
6,145,757 A	11/2000	Knapp	239/443
6,368,503 B1	4/2002	Williamson et al.	210/282
6,742,725 B1	6/2004	Fan	239/525
6,892,952 B2	5/2005	Chang et al.	236/12.12

D532,078 S *	11/2006	Bosio	D23/226
D533,252 S *	12/2006	Bosio	D23/226
2004/0164183 A1	8/2004	Nobili	239/449
2005/0161533 A1	7/2005	Nobili	239/447
2006/0016921 A1	1/2006	Nobili	239/525
2007/0018019 A1	1/2007	Nobili	239/581.1

**FOREIGN PATENT DOCUMENTS**

DE	28 43 666 A 1	4/1980
FR	2 683 745 A1	5/1993

\* cited by examiner

*Primary Examiner*—Robin V Webster

(74) *Attorney, Agent, or Firm*—Seed IP Law Group PLLC

(57) **CLAIM**

The ornamental design for a shower head, as shown and described.

**DESCRIPTION**

FIG. 1 is a perspective view of the shower head, showing my new design;

FIG. 2 is a front view thereof;

FIG. 3 is a rear view thereof;

FIG. 4 is a right side view thereof;

FIG. 5 is a left side view thereof;

FIG. 6 is a top view thereof;

FIG. 7 is a bottom view thereof;

FIG. 8 is a perspective view of the shower head, showing my new design, in another embodiment;

FIG. 9 is a front view thereof;

FIG. 10 is a rear view thereof;

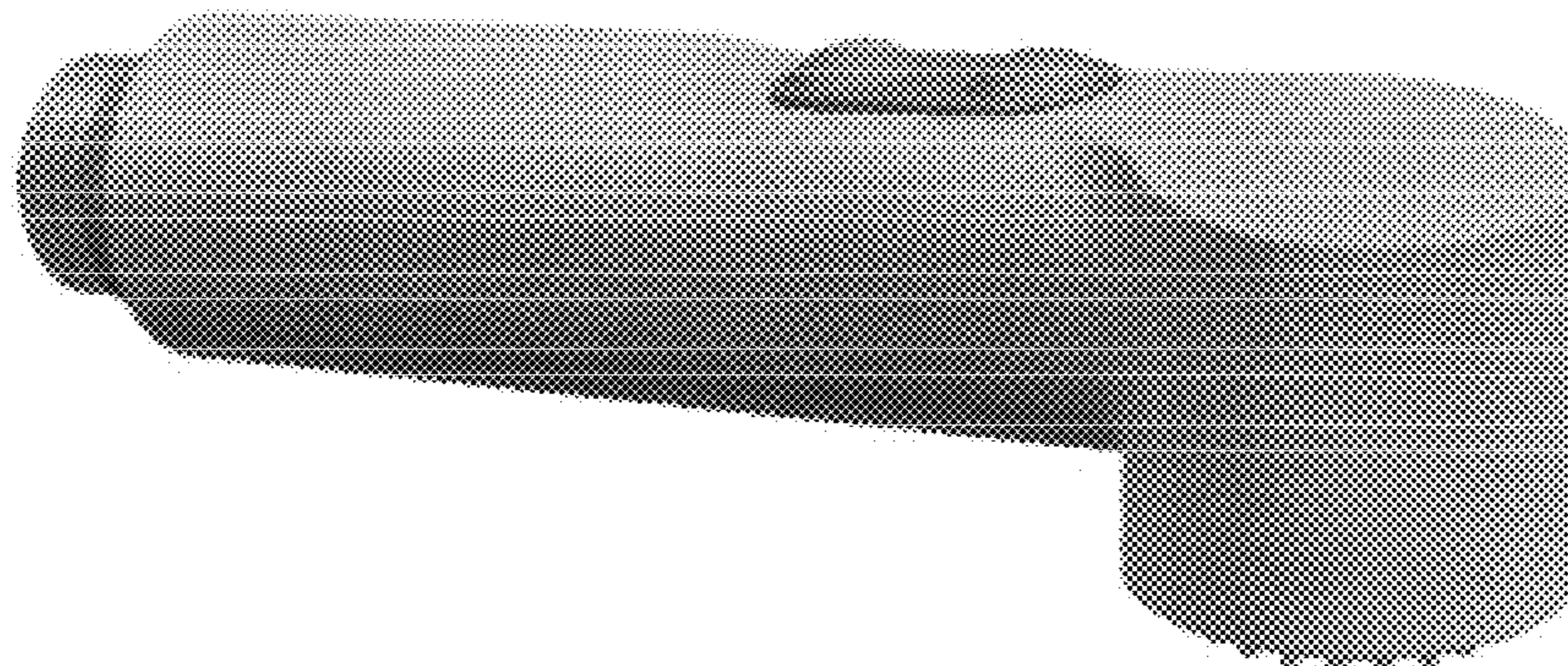
FIG. 11 is a right side view thereof;

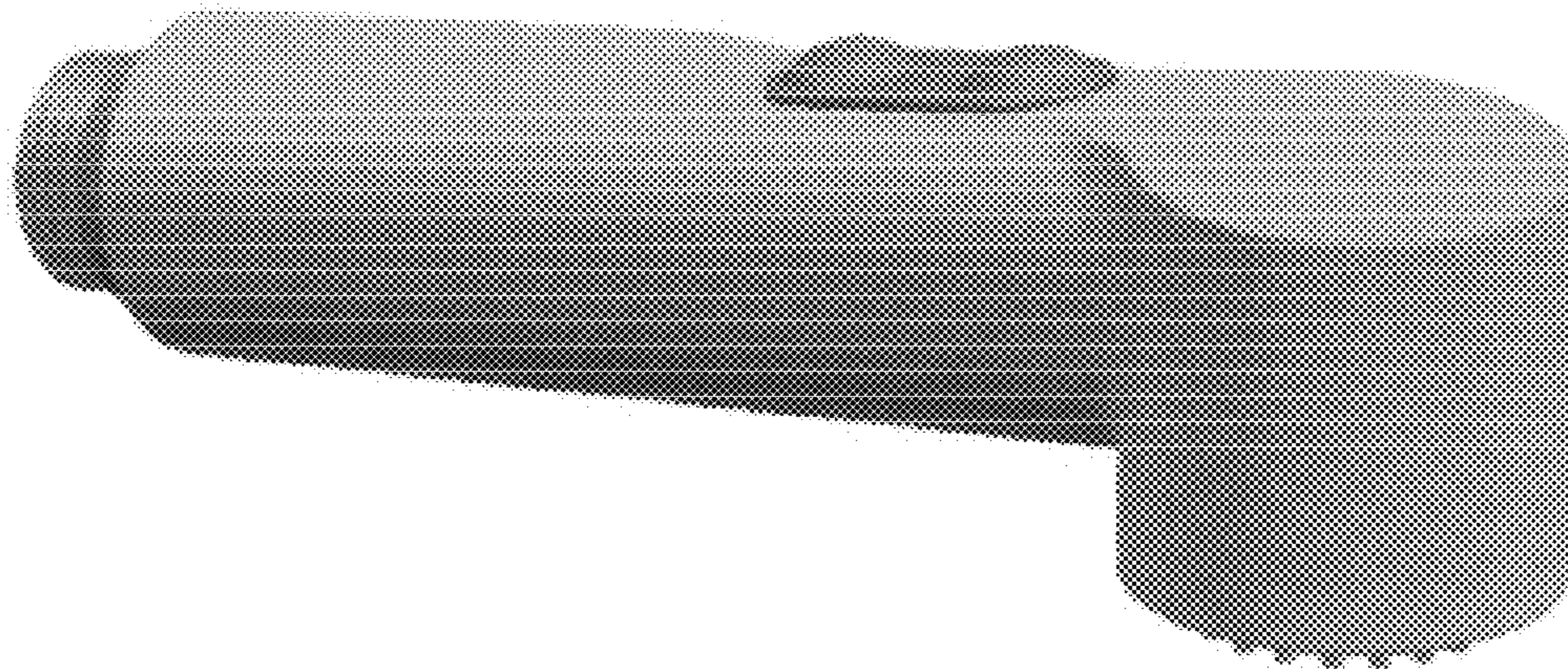
FIG. 12 is a left side view thereof;

FIG. 13 is a top view thereof; and,

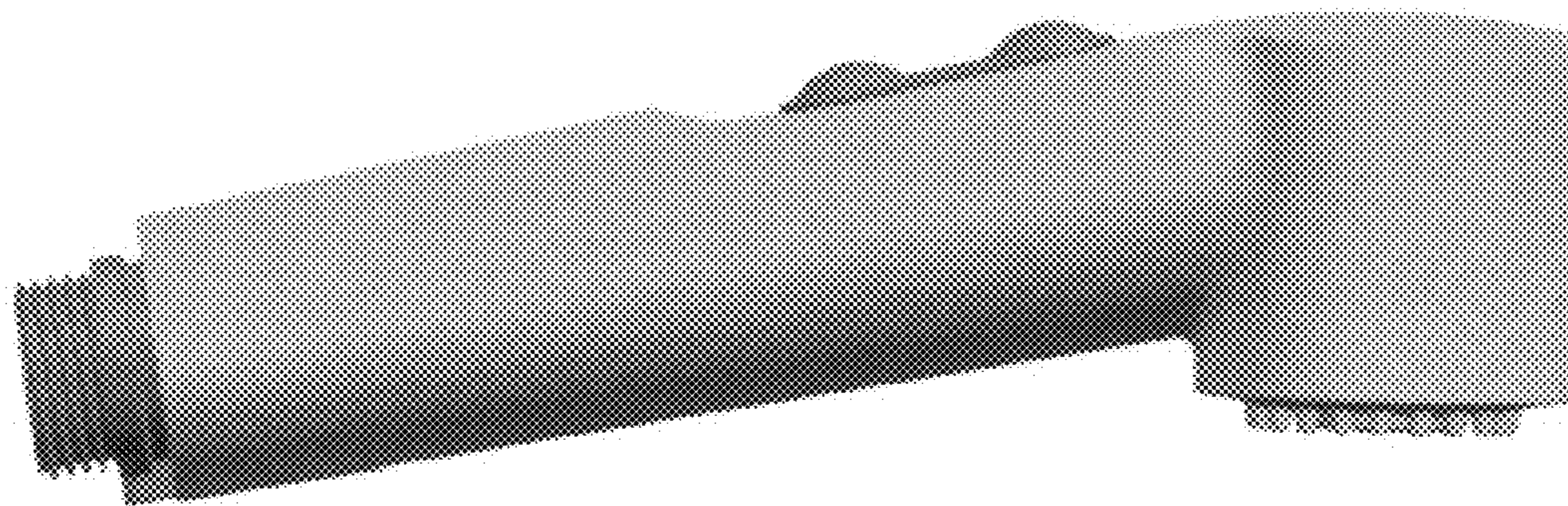
FIG. 14 is a bottom view thereof.

**1 Claim, 4 Drawing Sheets**

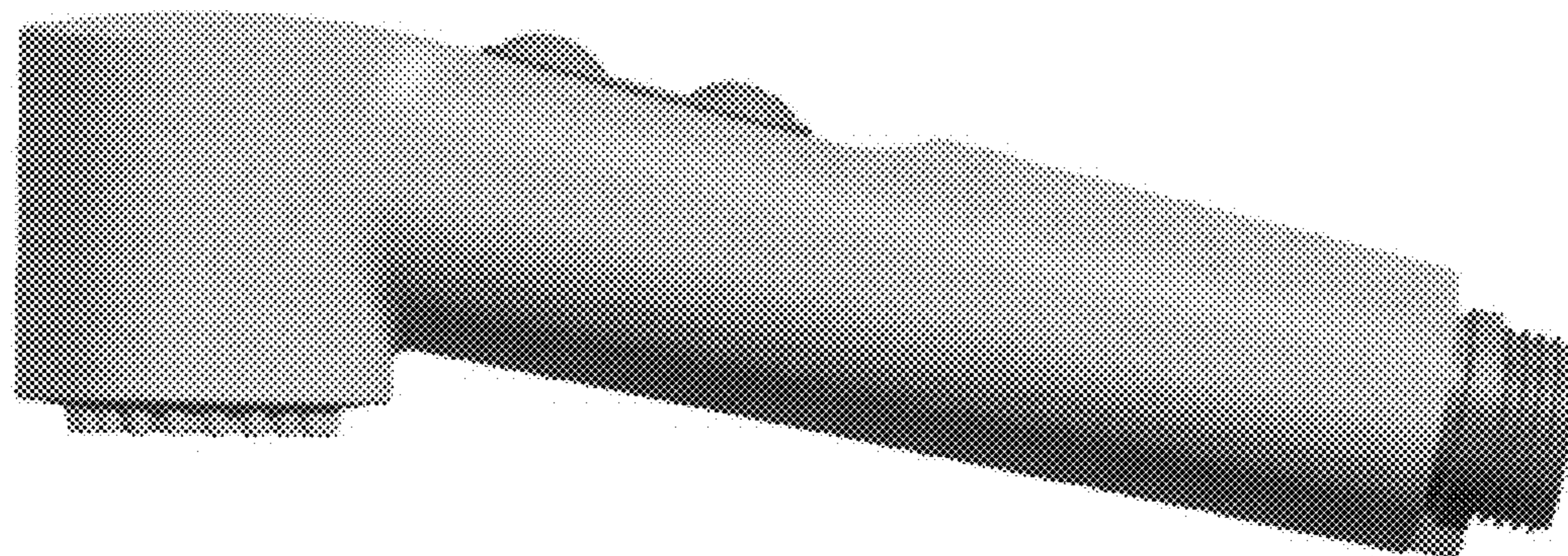




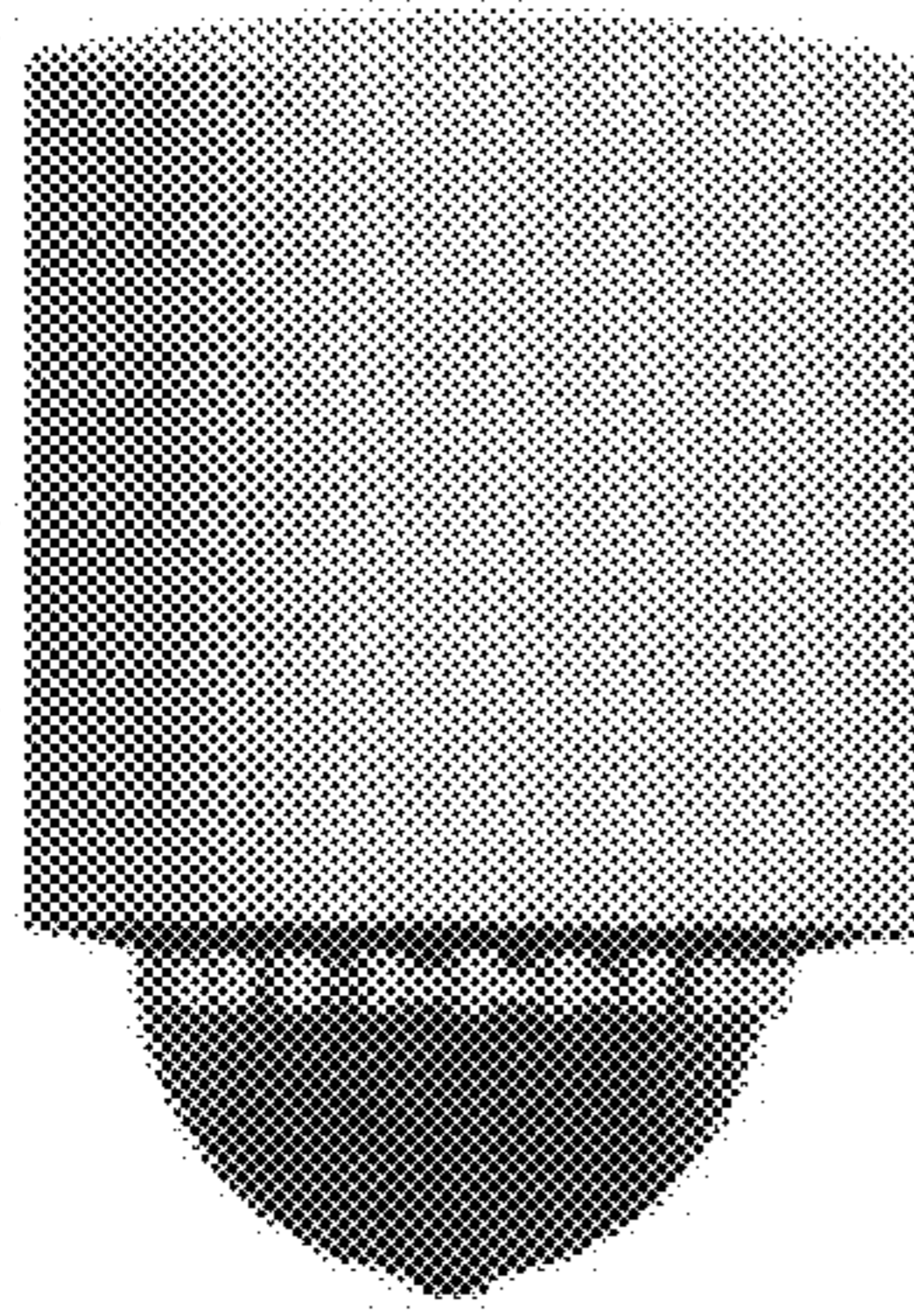
*FIG. 1*



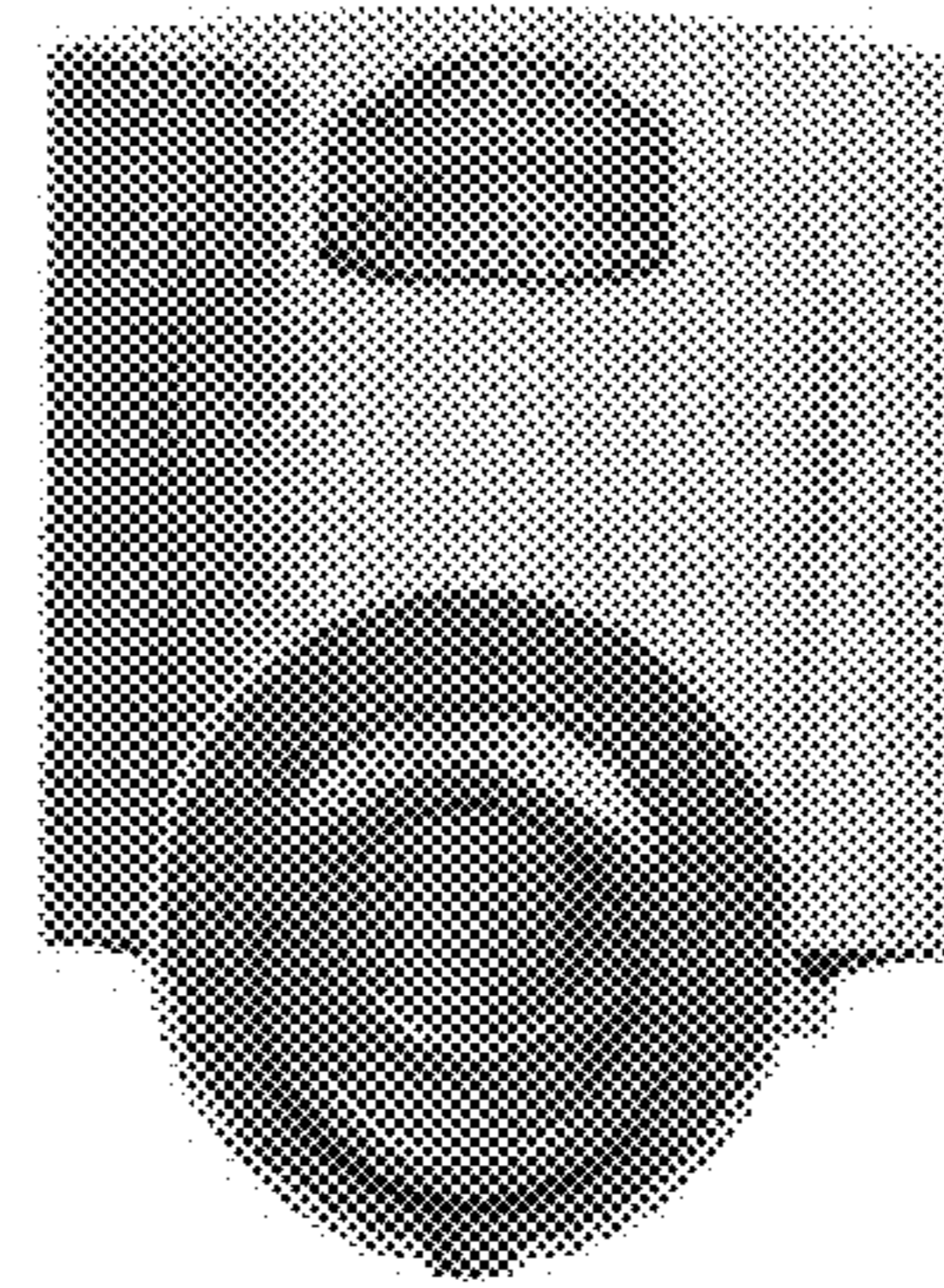
*FIG. 2*



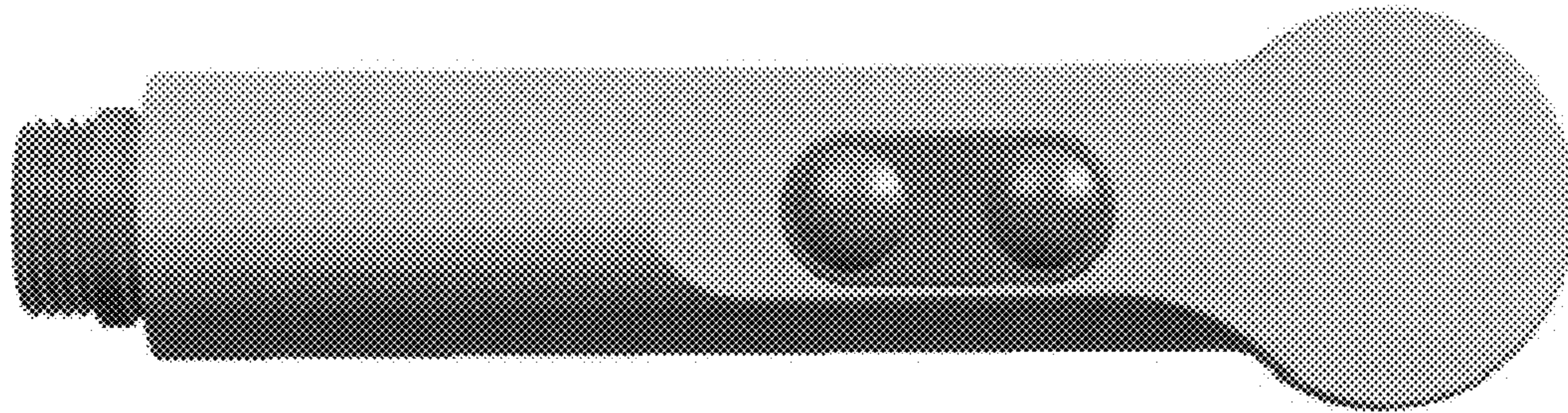
*FIG. 3*



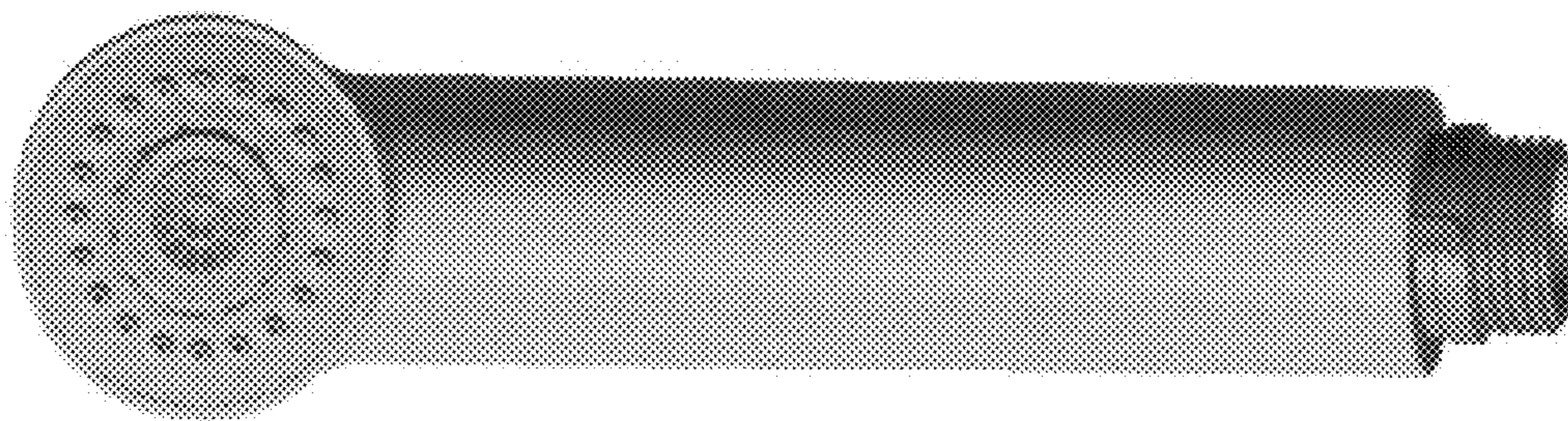
*FIG. 4*



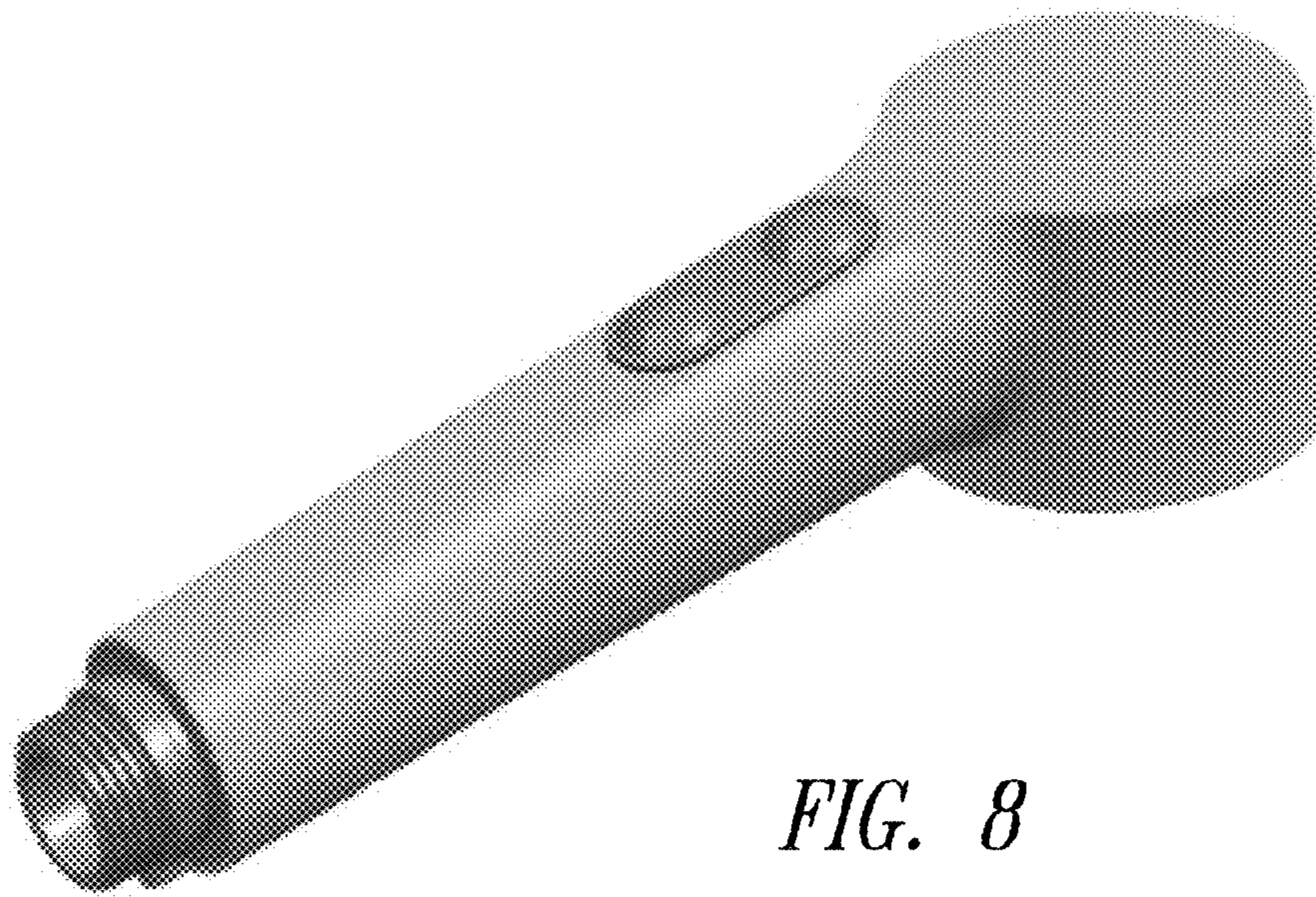
*FIG. 5*



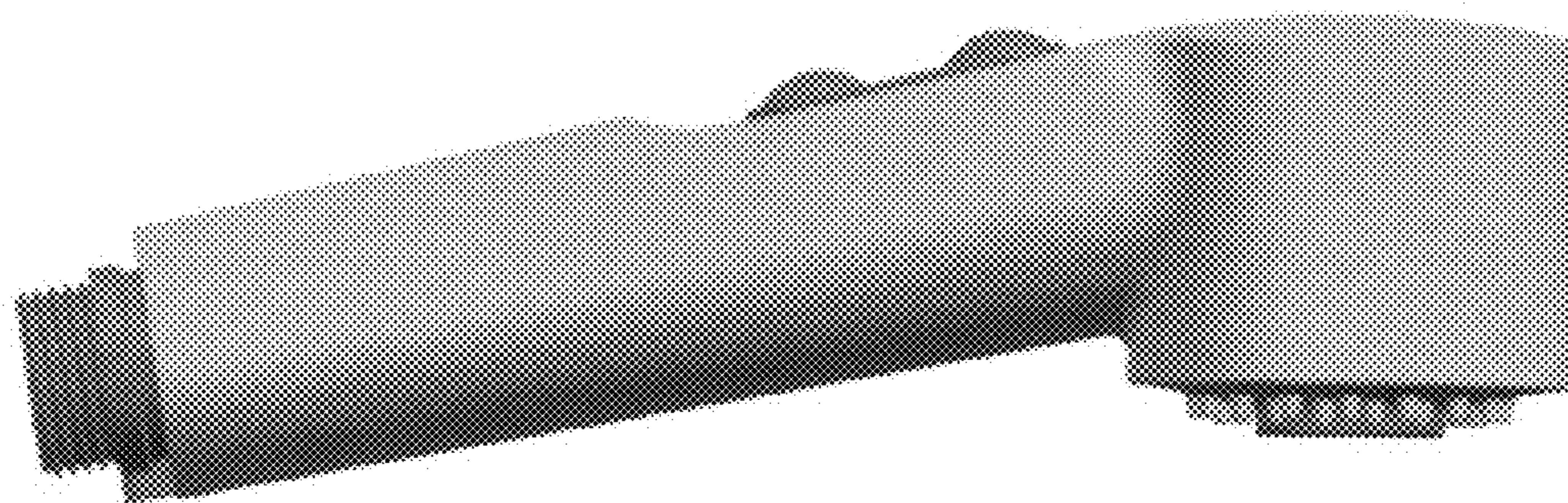
*FIG. 6*



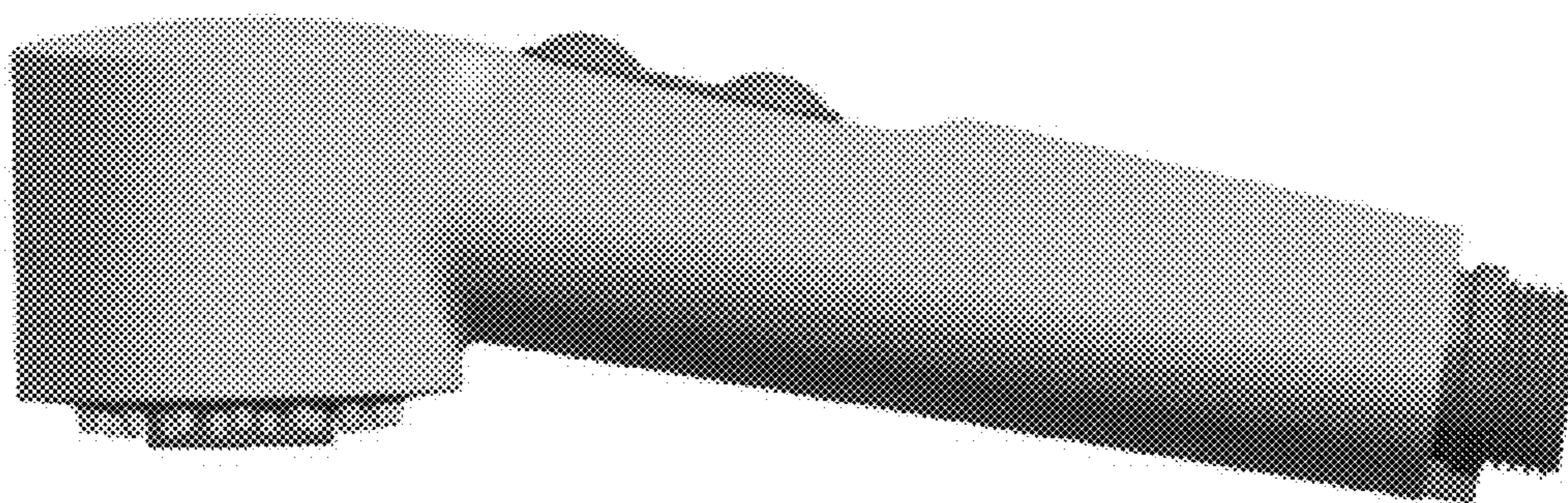
*FIG. 7*



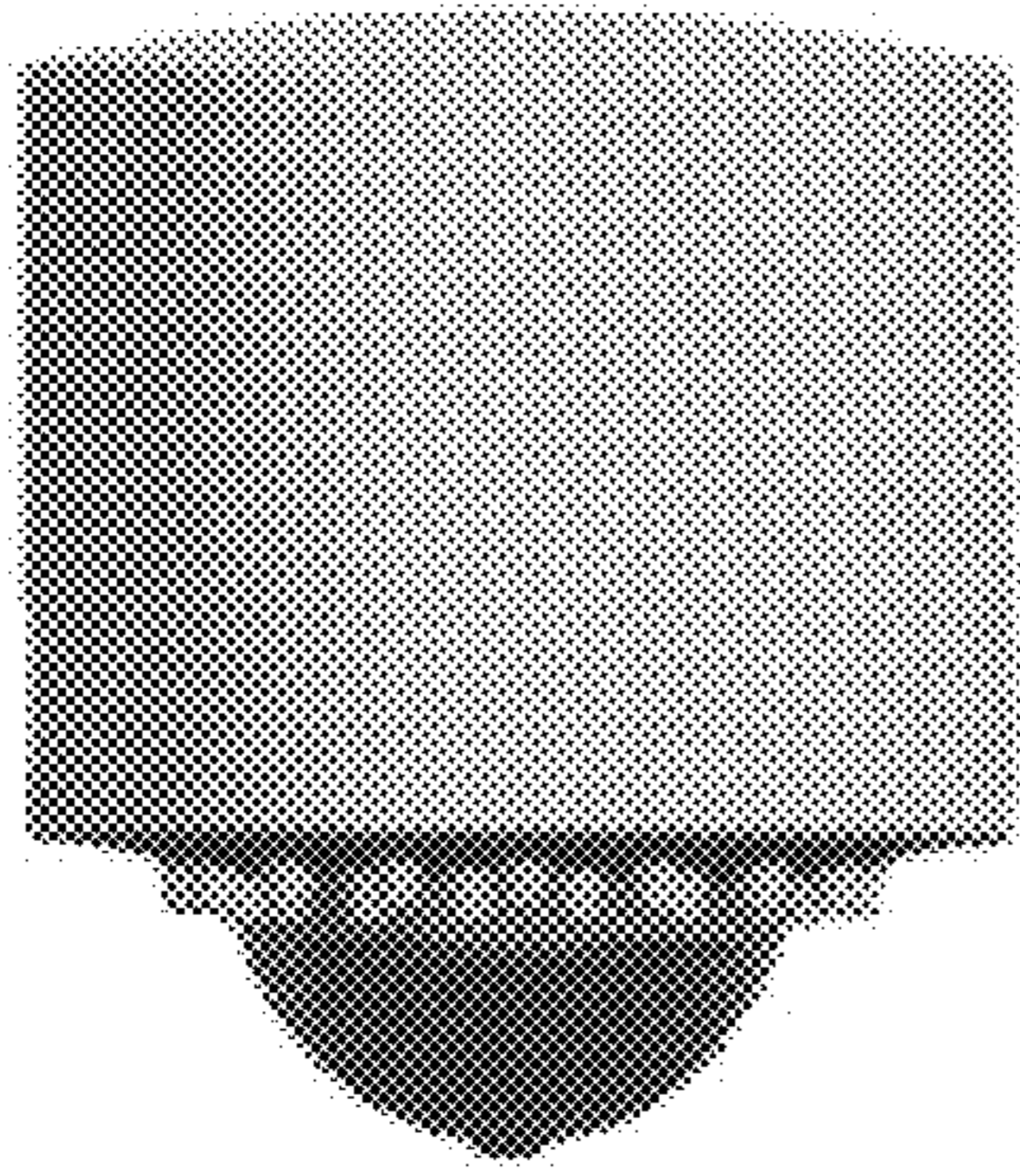
*FIG. 8*



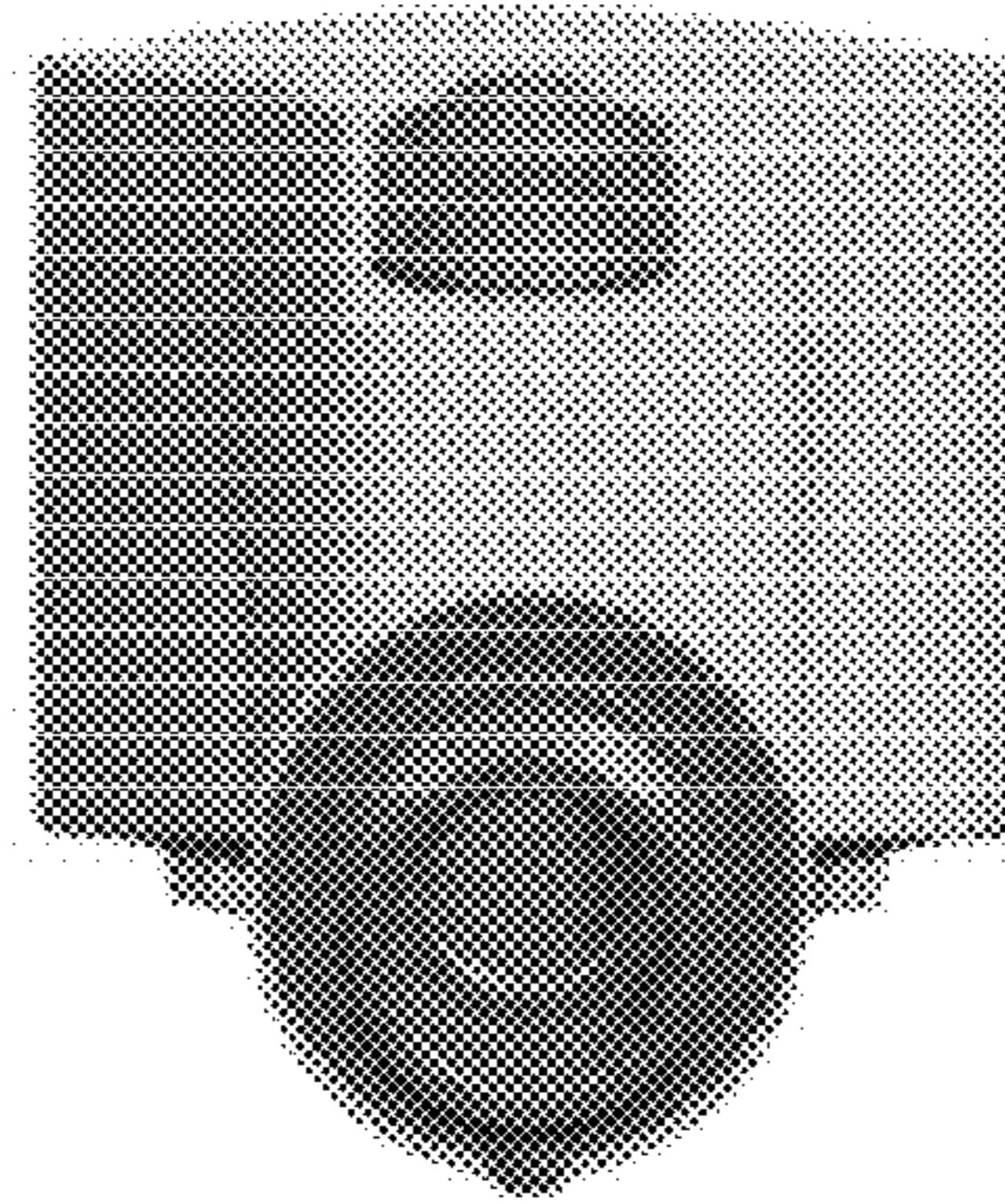
*FIG. 9*



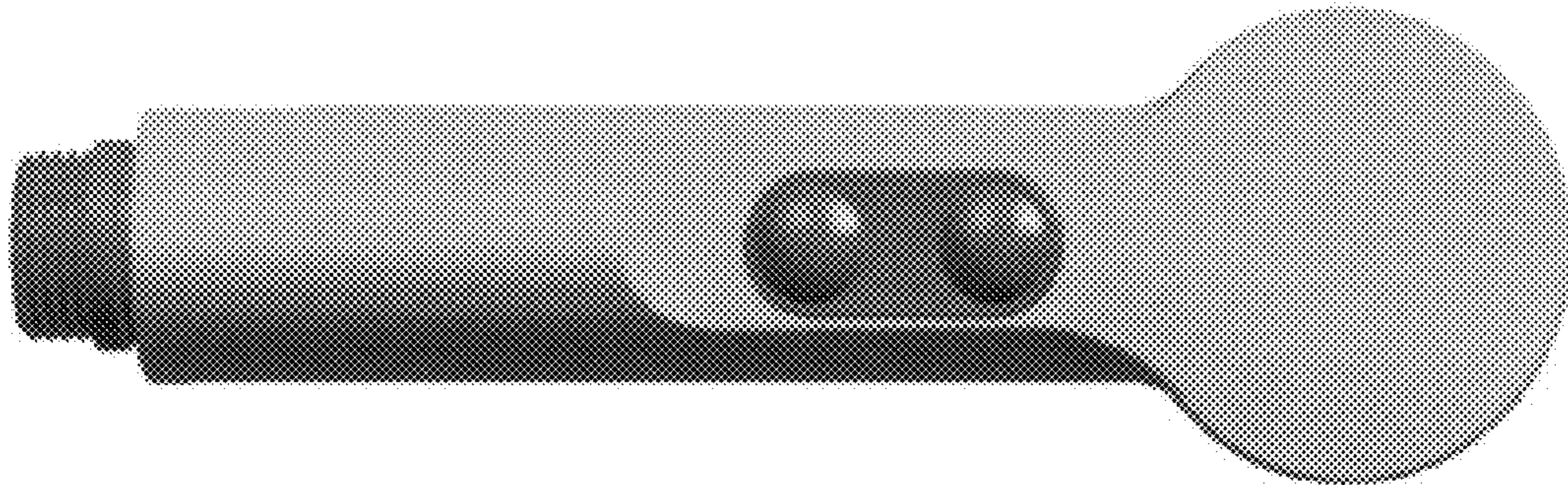
*FIG. 10*



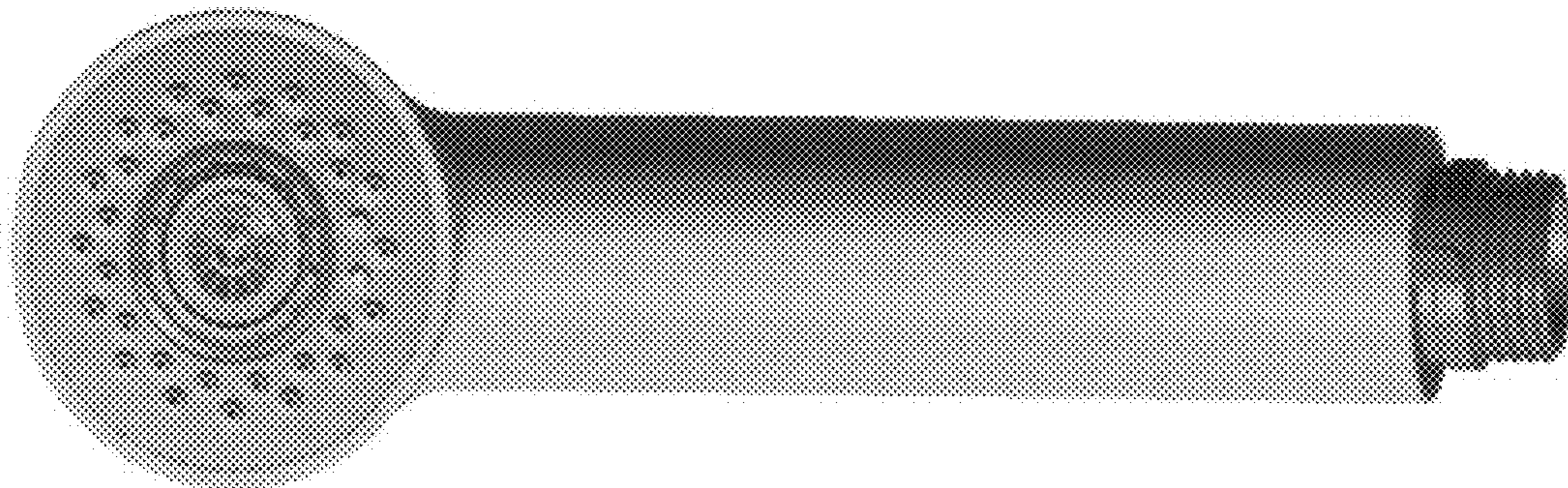
*FIG. 11*



*FIG. 12*



*FIG. 13*



*FIG. 14*