



US00D560753S

(12) **United States Design Patent**
Chung

(10) **Patent No.:** **US D560,753 S**

(45) **Date of Patent:** **** Jan. 29, 2008**

(54) **SHOWER HEAD**

D547,421 S * 7/2007 Lobermeier D23/223

(75) Inventor: **Yiu Man William Chung**, Hong Kong
(HK)

* cited by examiner

Primary Examiner—Robin V. Webster

(73) Assignee: **Jing Mei Industrial Holdings Limited**,
Rarotonga (CK)

(74) *Attorney, Agent, or Firm*—Michael Best & Friedrich
LLP

(**) Term: **14 Years**

(57) **CLAIM**

(21) Appl. No.: **29/250,434**

The ornamental design for a shower head, as shown and
described.

(22) Filed: **Nov. 14, 2006**

(51) **LOC (8) Cl.** **23-01**

(52) **U.S. Cl.** **D23/223**

(58) **Field of Classification Search** D23/213,
D23/223, 229–230; 239/394, 282–283; 4/567,
4/615

See application file for complete search history.

DESCRIPTION

FIG. 1 is a perspective view of the shower head;

FIG. 2 is a bottom view of the shower head of FIG. 1;

FIG. 3 is a right side elevation view of the shower head of
FIG. 1, the side opposite being a mirror image;

FIG. 4 is a top view of the shower head of FIG. 1;

FIG. 5 is a rear elevation view of the shower head of FIG.
1; and,

FIG. 6 is a front elevation view of the shower head of FIG.
1.

(56) **References Cited**

U.S. PATENT DOCUMENTS

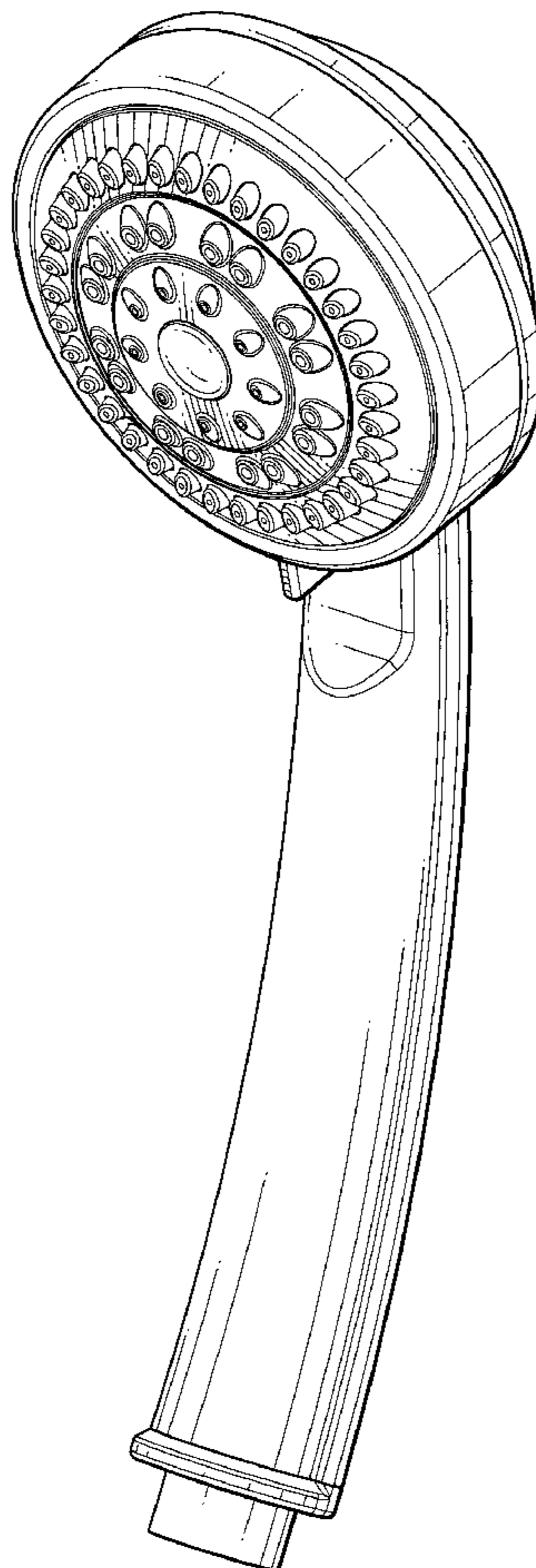
D457,598 S * 5/2002 Storti et al. D23/223

D506,243 S * 6/2005 Wu D23/223

D534,239 S * 12/2006 Dingler et al. D23/223

D535,354 S * 1/2007 Wu D23/223

1 Claim, 6 Drawing Sheets



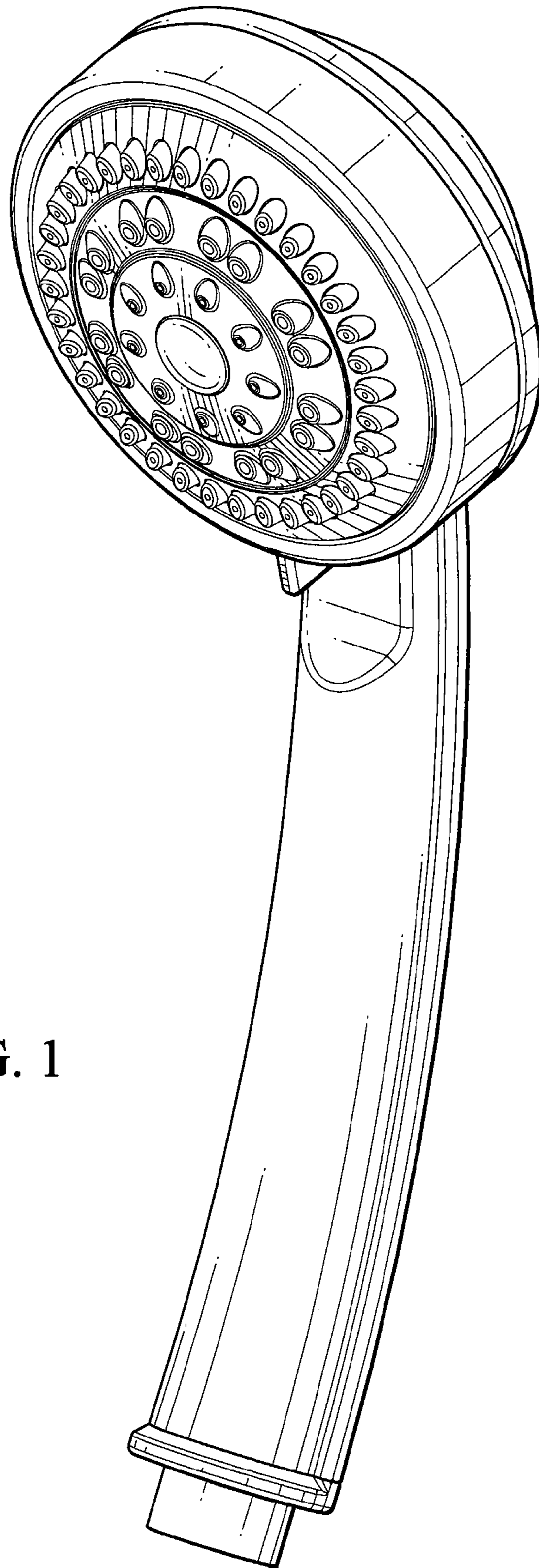


FIG. 1

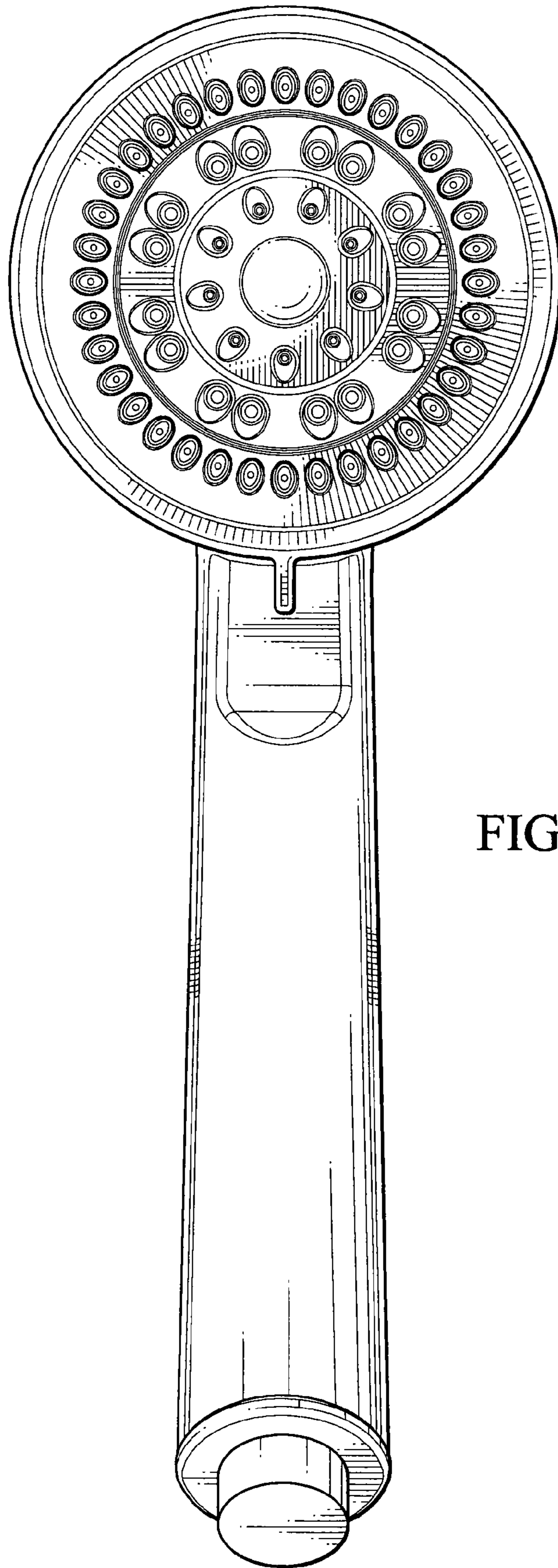


FIG. 2

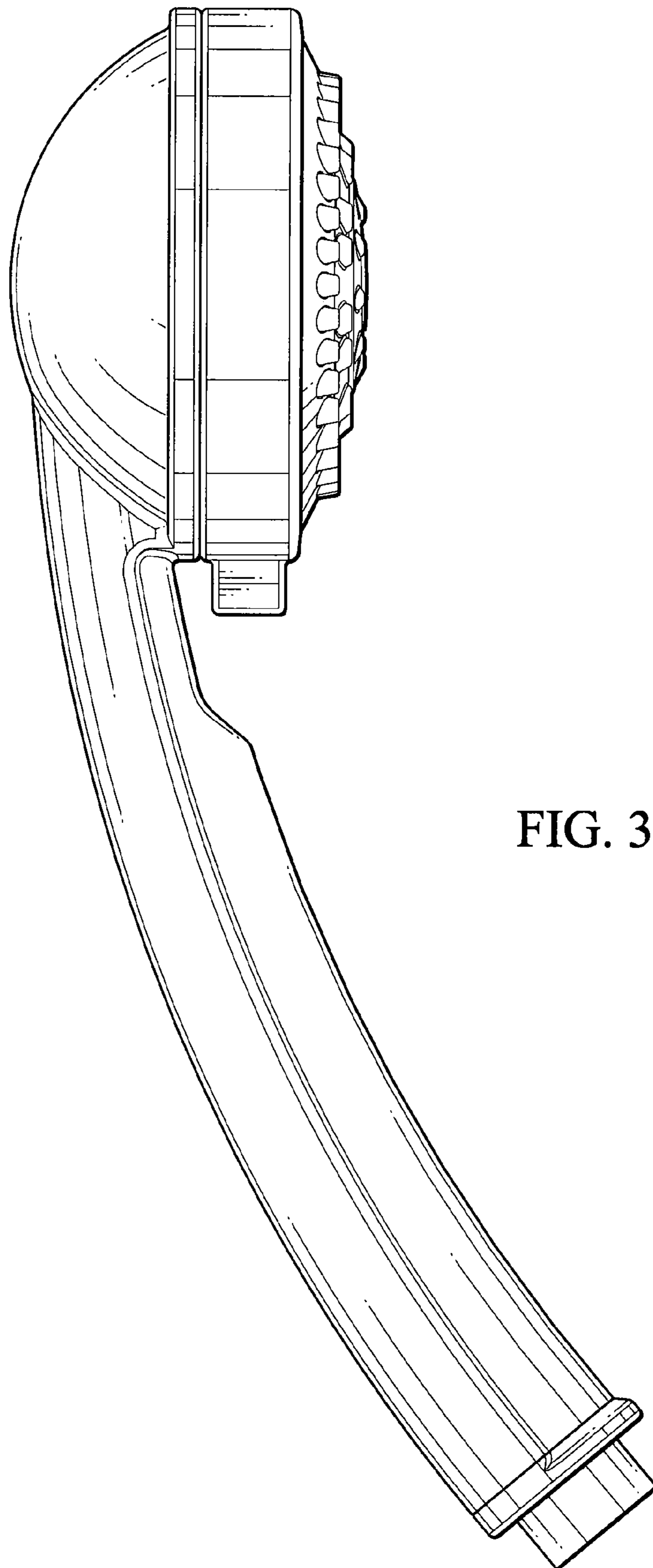


FIG. 3

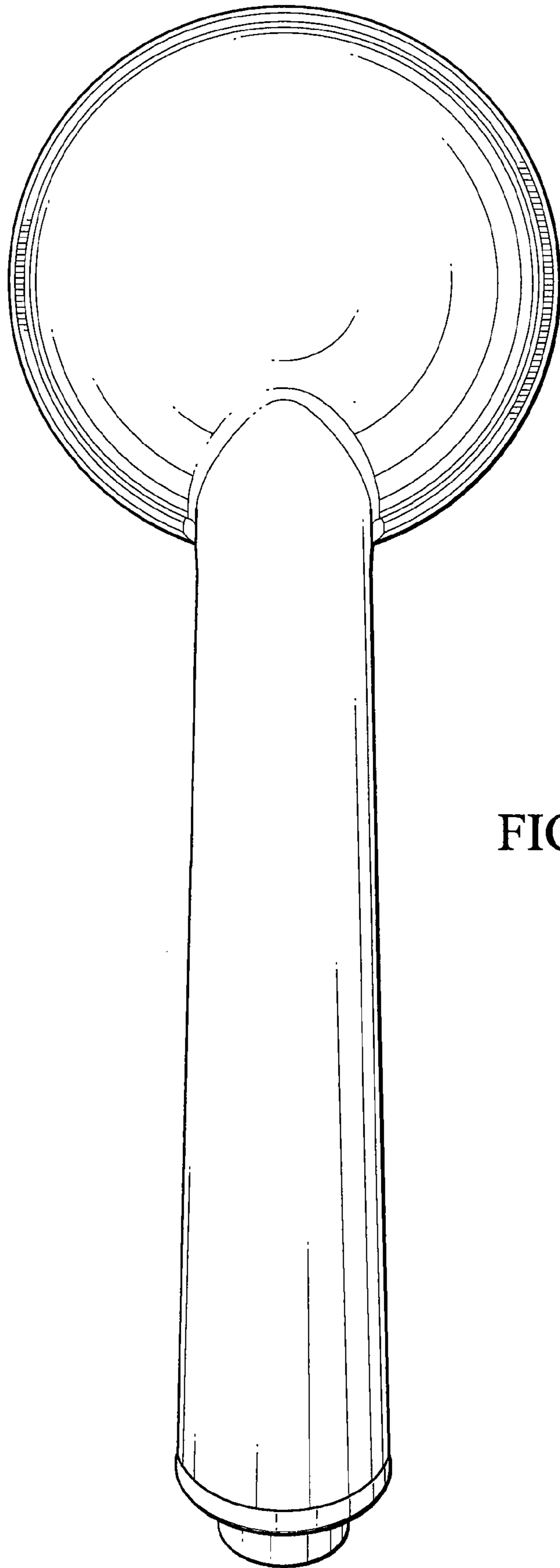


FIG. 4

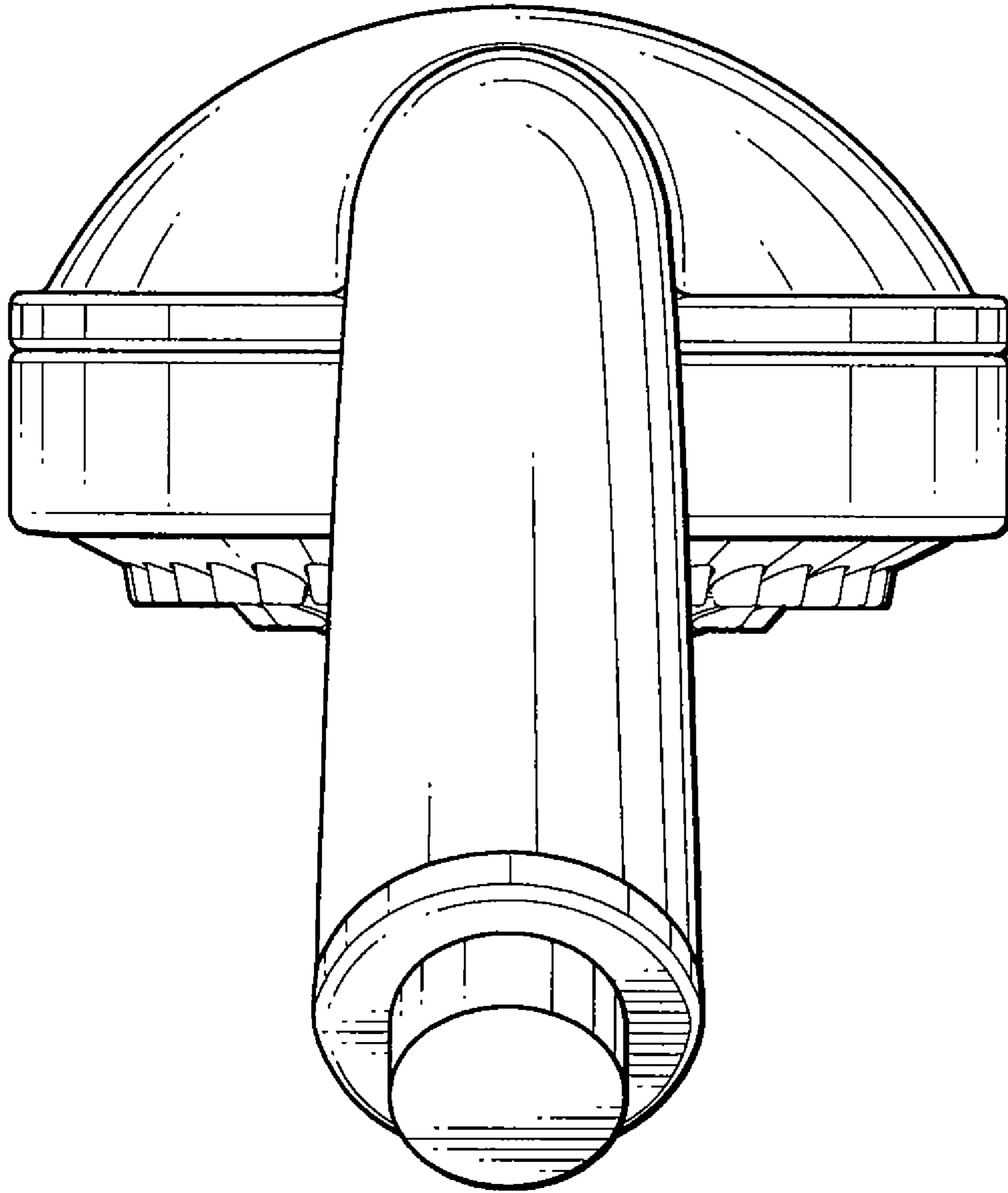


FIG. 5

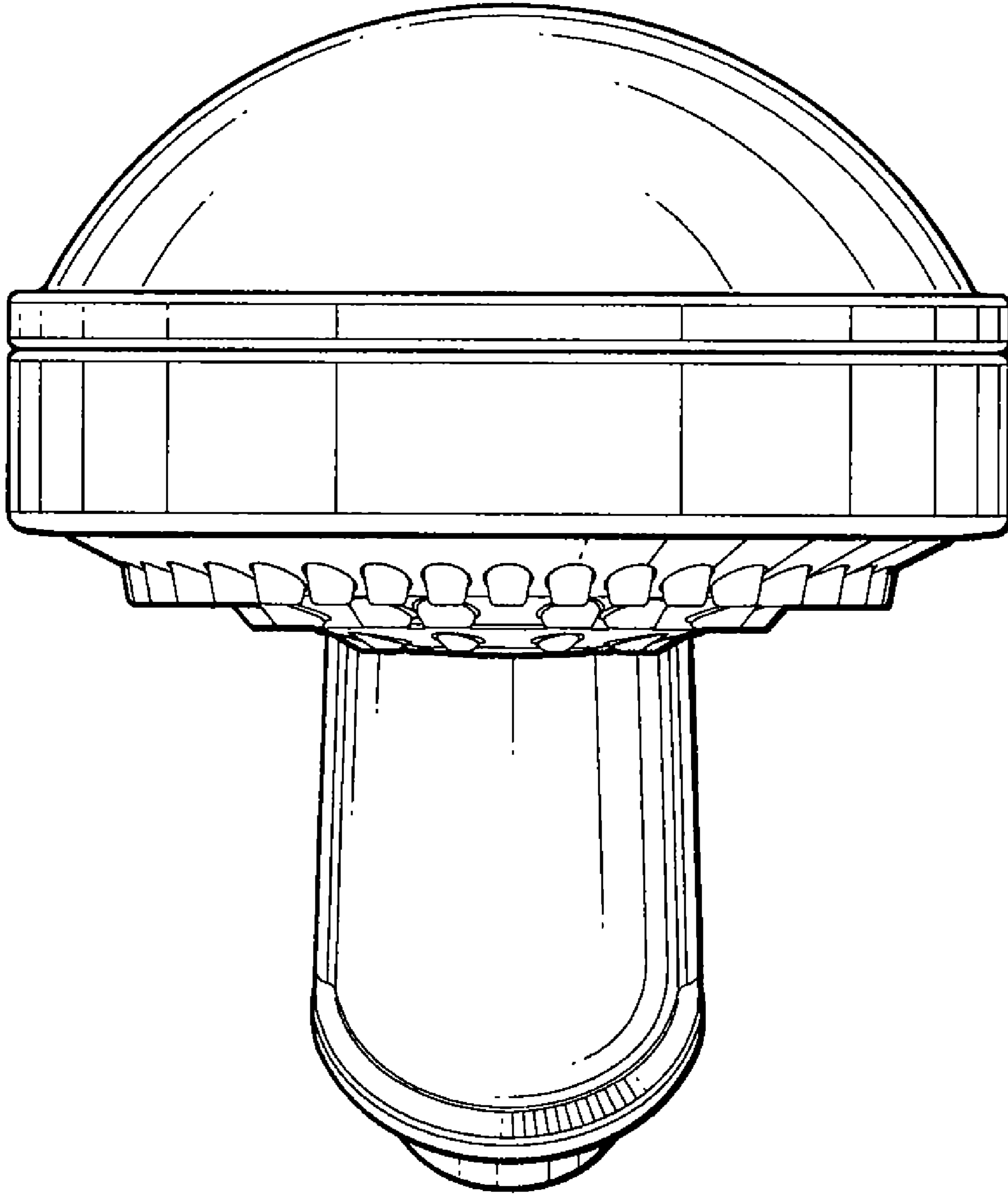


FIG. 6