



US00D560752S

(12) **United States Design Patent**
Rexach

(10) **Patent No.:** **US D560,752 S**
(45) **Date of Patent:** **** Jan. 29, 2008**

(54) **PLUMBING FITTING**

(75) Inventor: **Rafael A. Rexach**, Kohler, WI (US)

(73) Assignee: **Kohler Co.**, Kohler, WI (US)

(**) Term: **14 Years**

(21) Appl. No.: **29/250,593**

(22) Filed: **Nov. 22, 2006**

(51) **LOC (8) Cl.** **23-01**

(52) **U.S. Cl.** **D23/213; D23/254**

(58) **Field of Classification Search** **D23/213,**
D23/223, 226, 254; 239/394, 462, 282-3;
4/615, 675

See application file for complete search history.

(56) **References Cited**

U.S. PATENT DOCUMENTS

D455,197 S *	4/2002	Caplow	D23/250
D486,887 S *	2/2004	Graves et al.	D23/229
D500,837 S *	1/2005	Pinkston et al.	D23/213
D523,520 S *	6/2006	Theberge	D23/213
D524,409 S *	7/2006	Hoernig	D23/223
D524,918 S *	7/2006	Barry	D23/249
D531,275 S *	10/2006	Tsai	D23/254
D533,643 S *	12/2006	Veltz	D23/249

OTHER PUBLICATIONS

Kallista. "Barbara Barry Basin Set, Cross Handles" Model No. P22600-CR. Kallista online catalog. Copyright 2007 by Kallista, Inc.

Hansgrohe. "Terrano" Model No. 73001. Faucet.com online catalog. Copyright 1994-2007.

* cited by examiner

Primary Examiner—Robin V Webster

(74) *Attorney, Agent, or Firm*—Quarles & Brady LLP

(57) **CLAIM**

The ornamental design for a plumbing fitting, as shown and described.

DESCRIPTION

In a preferred embodiment, the nature of this product is as a plumbing fitting in the form of a bonnet escutcheon for a showerhead arm.

FIG. 1 is a left, top, front perspective view of a plumbing fitting according to my new design;

FIG. 2 is a left side elevational view thereof, the right side elevational view thereof being a mirror image of the left side shown;

FIG. 3 is a top plan view thereof;

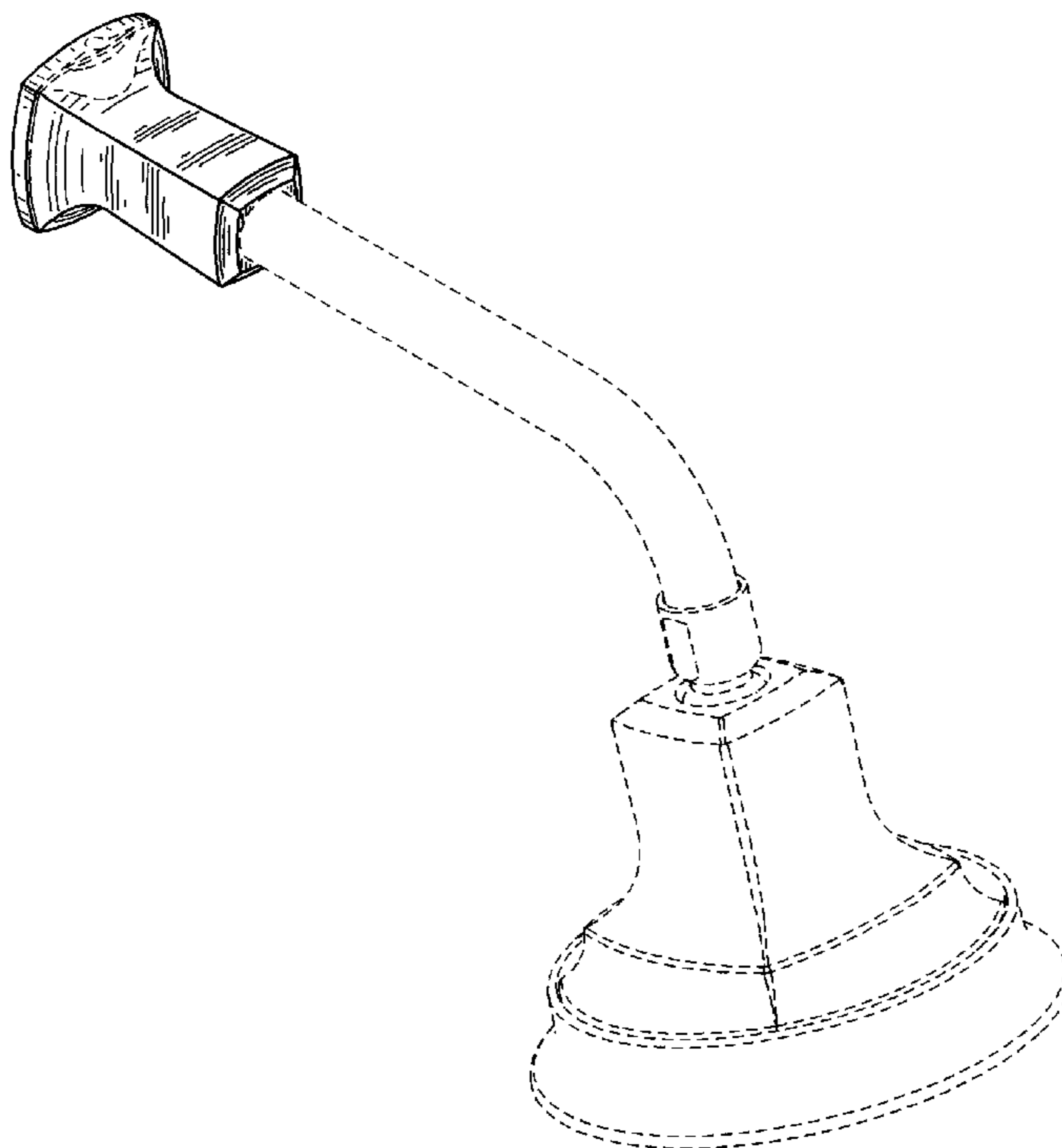
FIG. 4 is a bottom plan view thereof;

FIG. 5 is a front elevational view thereof; and,

FIG. 6 is a rear elevational view thereof.

The broken line representations of showerhead and showerhead arm environment in FIG. 1, an opening and scooped structure in FIGS. 1-3 and 5, and an opening in FIGS. 5 and 6 are for the purpose of illustration only, and form no part of the claimed design.

1 Claim, 3 Drawing Sheets



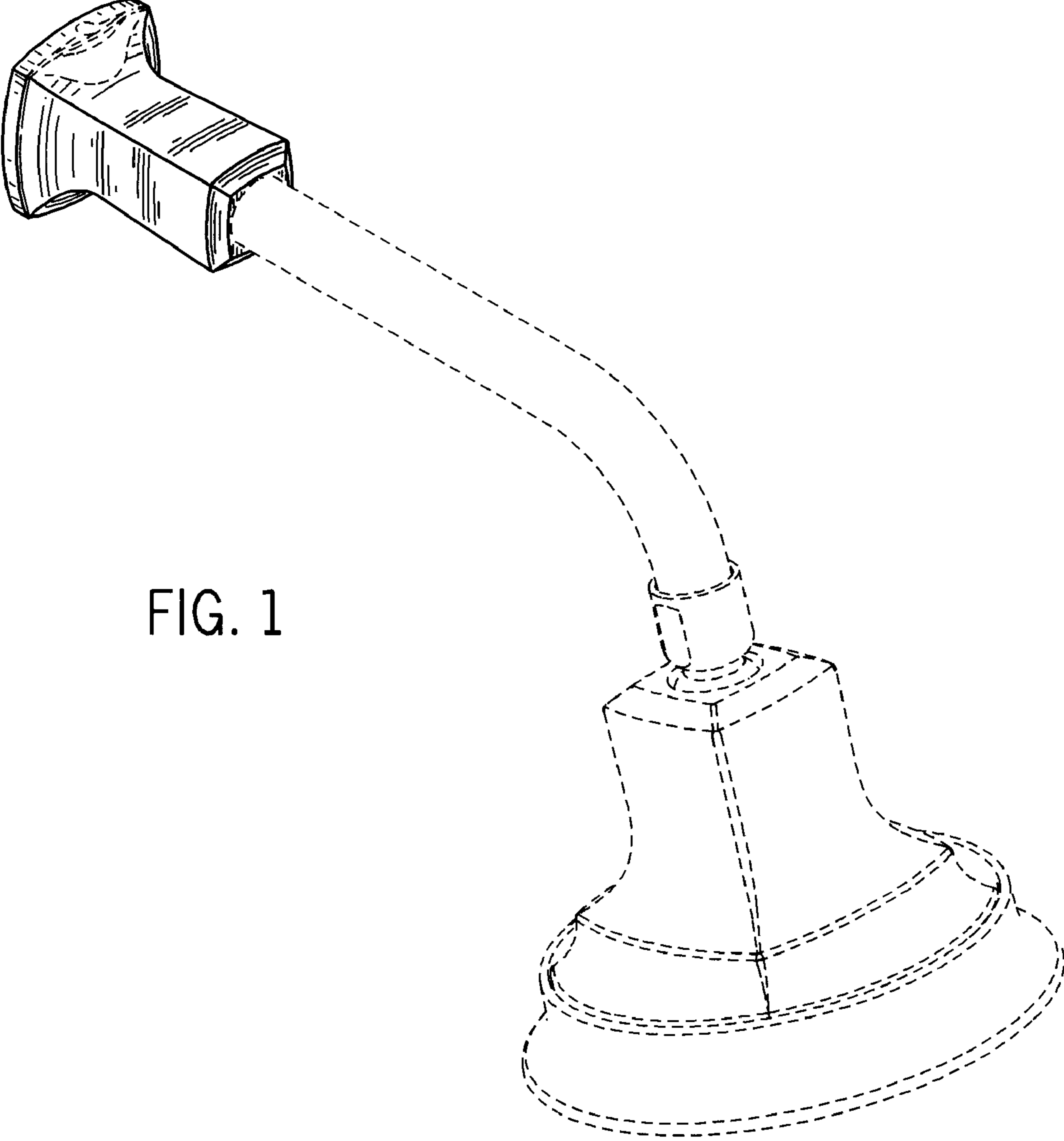


FIG. 1

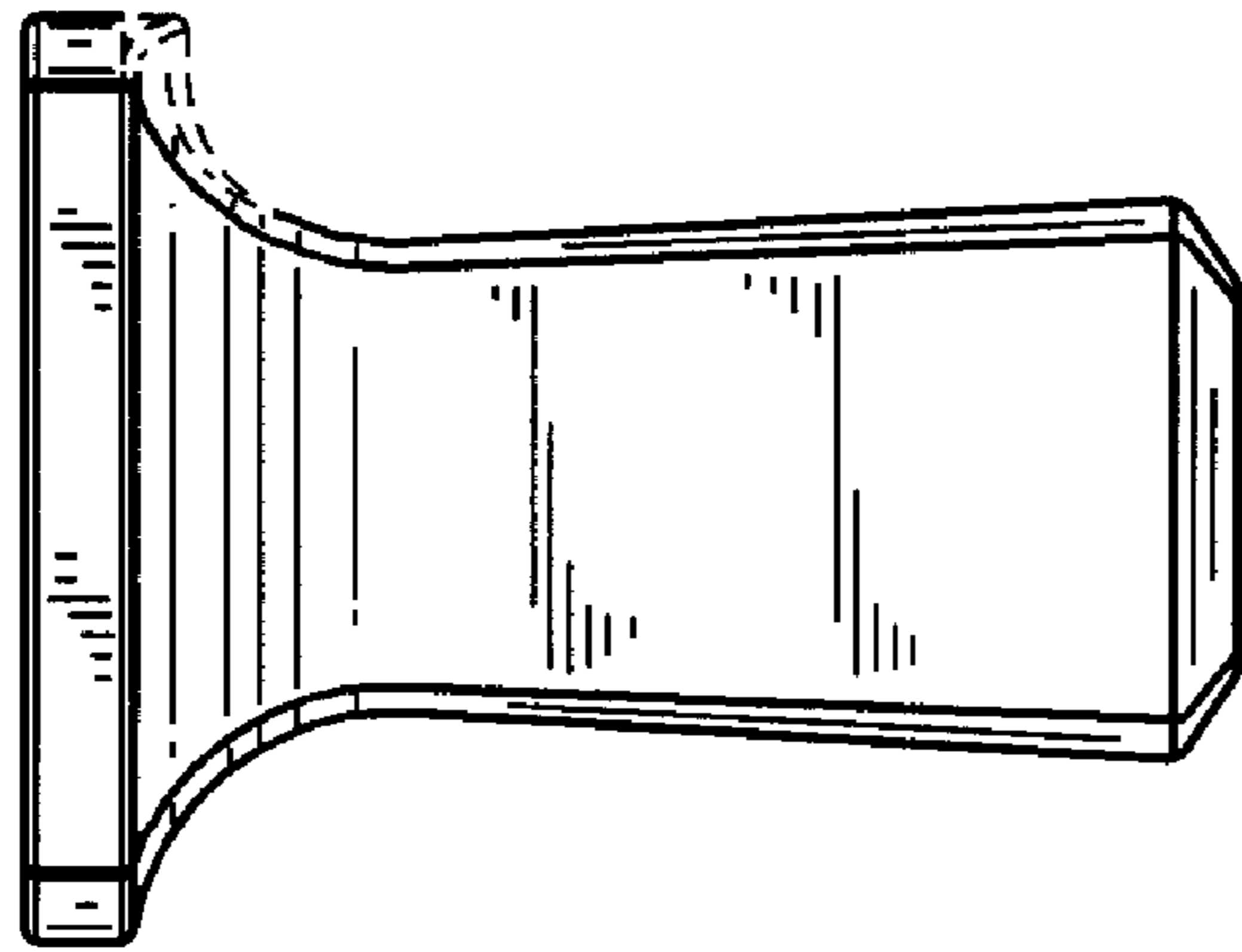


FIG. 2

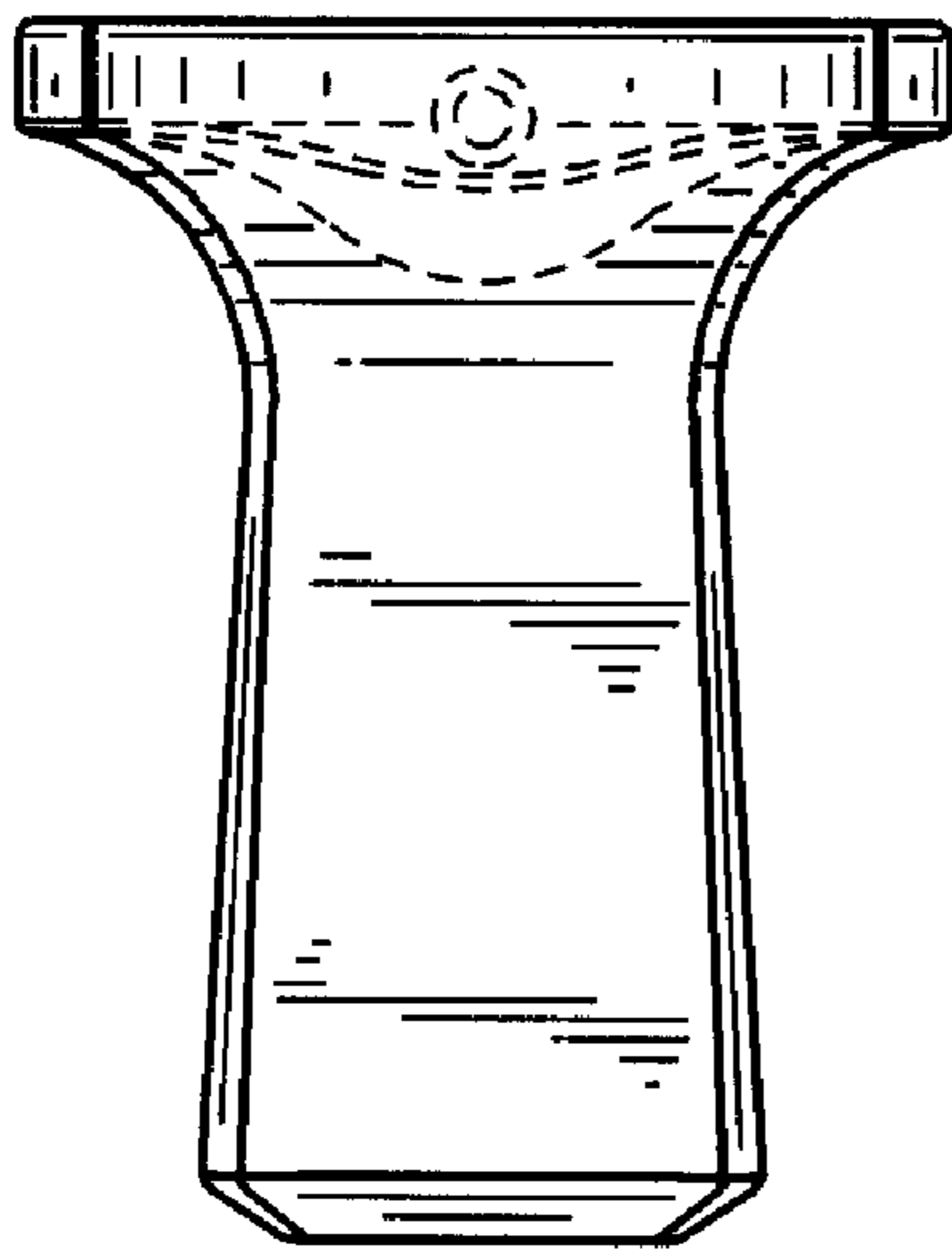


FIG. 3

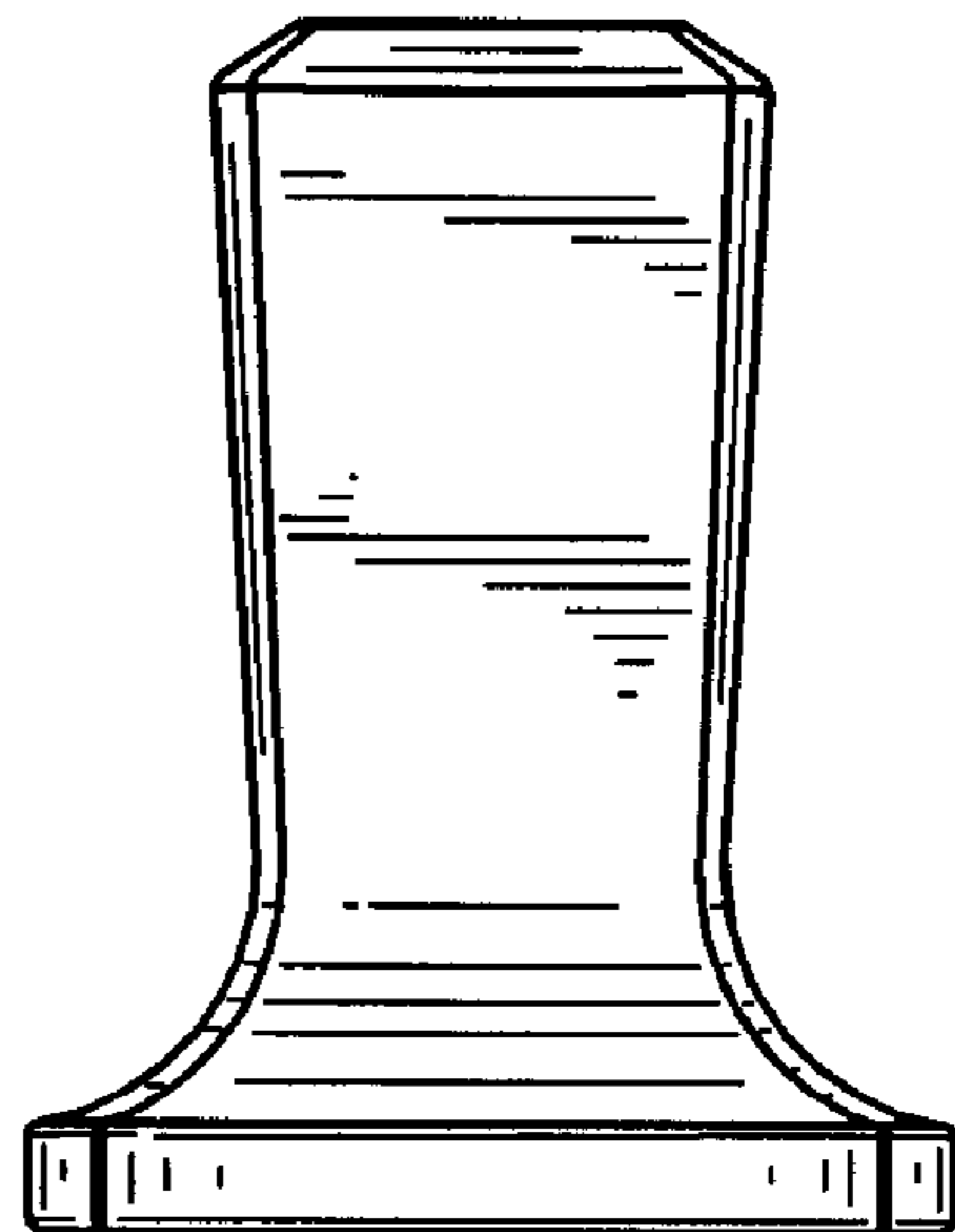


FIG. 4

FIG. 5

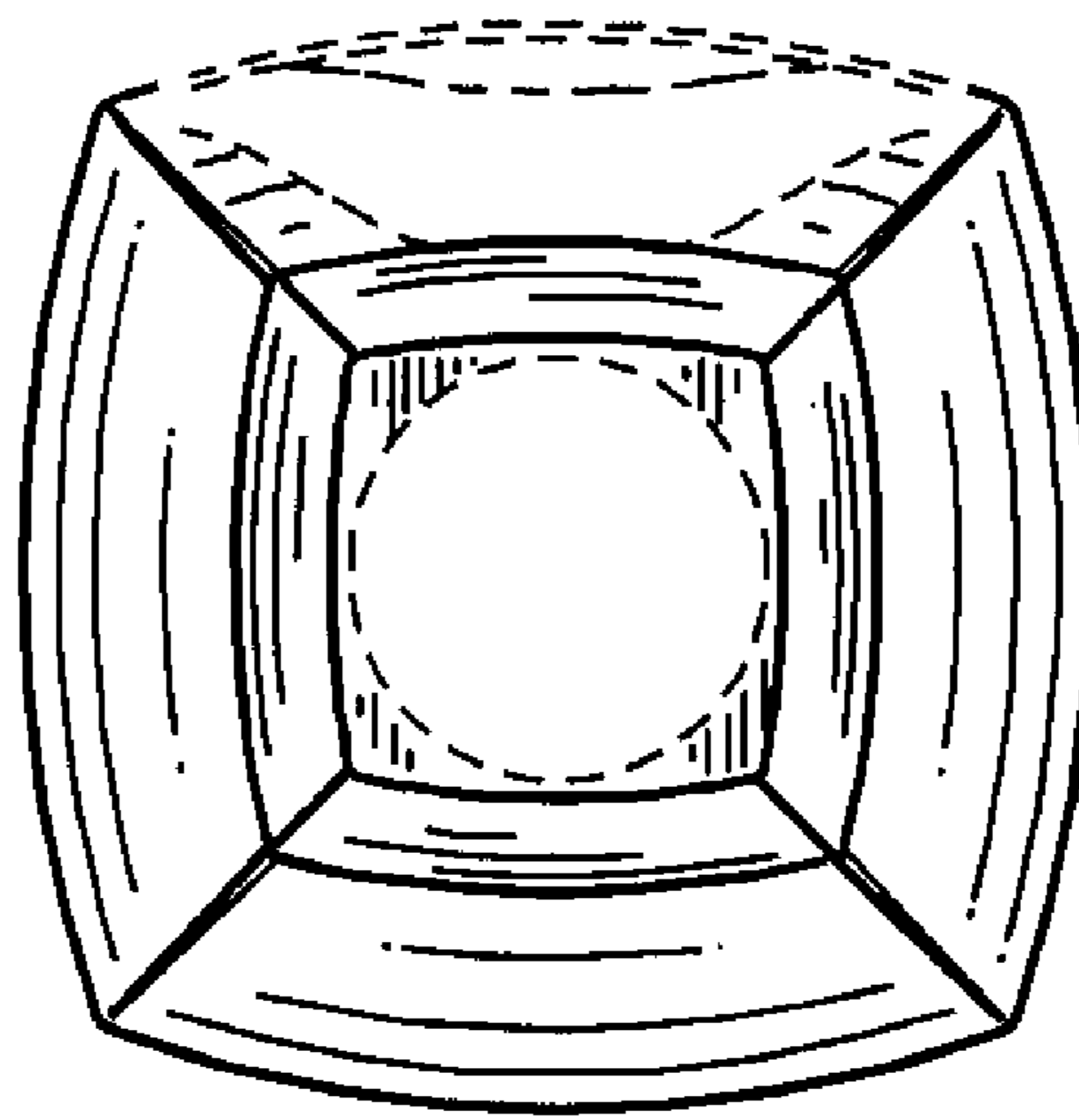


FIG. 6

