



US00D560751S

(12) **United States Design Patent**  
**Miller**

(10) **Patent No.:** **US D560,751 S**  
(45) **Date of Patent:** **\*\* Jan. 29, 2008**

(54) **FILTER ELEMENT**

(75) Inventor: **Daniel W. Miller**, Luckey, OH (US)

(73) Assignee: **Parker-Hannifin Corp.**, Cleveland, OH (US)

(\*\*) Term: **14 Years**

(21) Appl. No.: **29/249,452**

(22) Filed: **Oct. 6, 2006**

**Related U.S. Application Data**

(60) Division of application No. 29/247,068, filed on May 26, 2006, now Pat. No. Des. 537,502, which is a continuation of application No. 29/219,592, filed on Dec. 17, 2004, now Pat. No. Des. 529,126, which is a continuation-in-part of application No. 29/205,521, filed on May 17, 2004, now abandoned.

(51) **LOC (8) Cl.** ..... **23-01**

(52) **U.S. Cl.** ..... **D23/209**

(58) **Field of Classification Search** ..... D23/207, D23/209, 365; 210/493.1, 497.01; 55/521-522  
See application file for complete search history.

(56) **References Cited**

**U.S. PATENT DOCUMENTS**

4,272,368 A 6/1981 Foord  
6,096,207 A \* 8/2000 Hoffman et al. .... 210/232  
D440,294 S \* 4/2001 Bilek ..... D23/365  
D492,386 S \* 6/2004 Kamata et al. .... D23/209

6,752,847 B2 \* 6/2004 Smithies ..... 55/521  
D497,972 S \* 11/2004 Reynolds et al. .... D23/209  
6,911,144 B2 \* 6/2005 Van Pelt et al. .... 210/232  
D521,137 S \* 5/2006 Khalil ..... D23/365  
2004/0035097 A1 2/2004 Schlensker

**FOREIGN PATENT DOCUMENTS**

WO 0238247 A1 5/2002

\* cited by examiner

*Primary Examiner*—Robin V Webster

(74) *Attorney, Agent, or Firm*—Christopher H. Hunter

(57) **CLAIM**

The ornamental design for a filter element, as shown and described.

**DESCRIPTION**

FIG. 1 is a front view of a filter element, showing my new design;

FIG. 2 is a right side view of the filter element, the left side view being, a mirror image;

FIG. 3 is a rear view of the filter element;

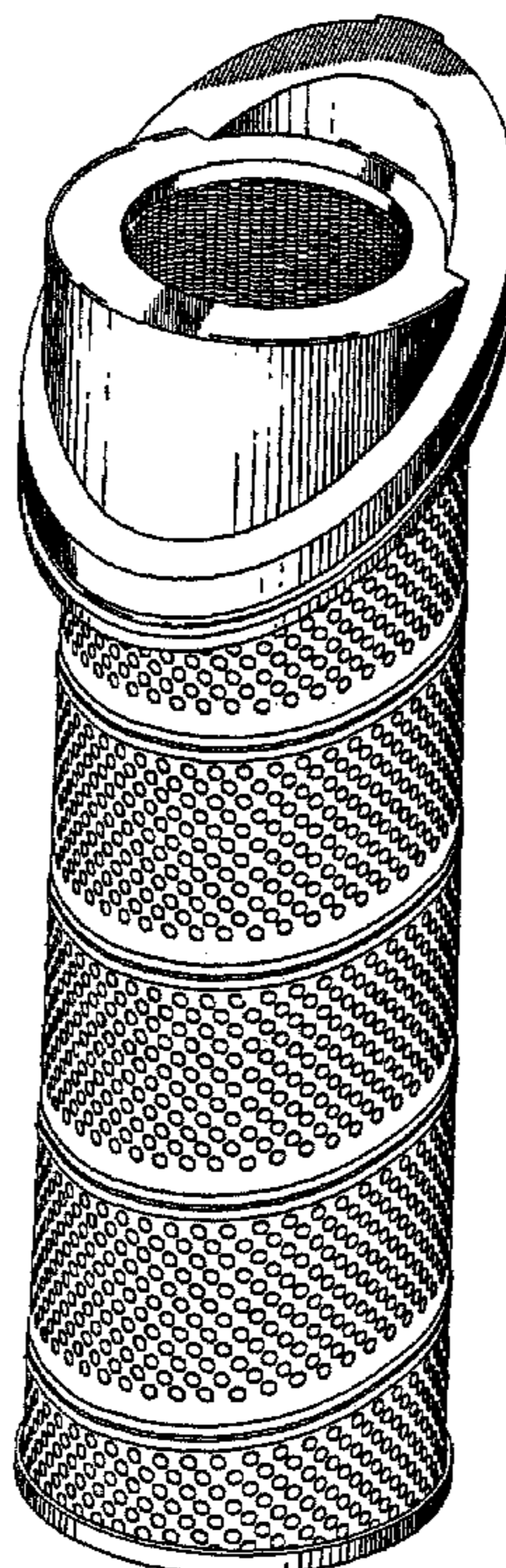
FIG. 4 is a top plan view of the filter element;

FIG. 5 is a bottom pl an view of the filter element; and,

FIG. 6 is a perspective view of the filter element.

The broken lines showing are for illustrative purposes and form no part of the present invention.

**1 Claim, 5 Drawing Sheets**



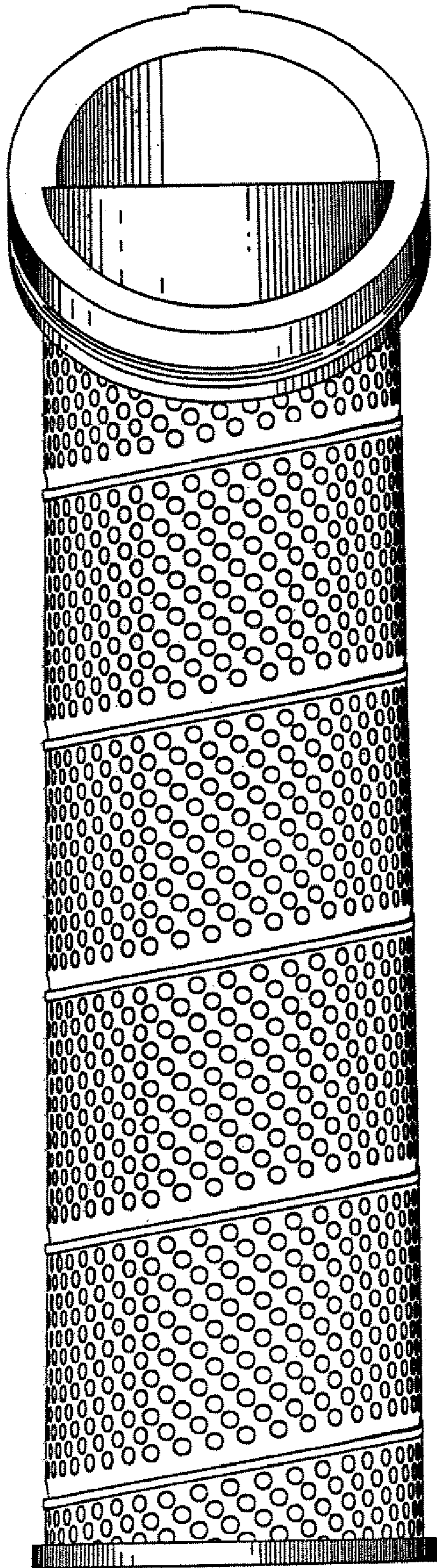


FIG. 1

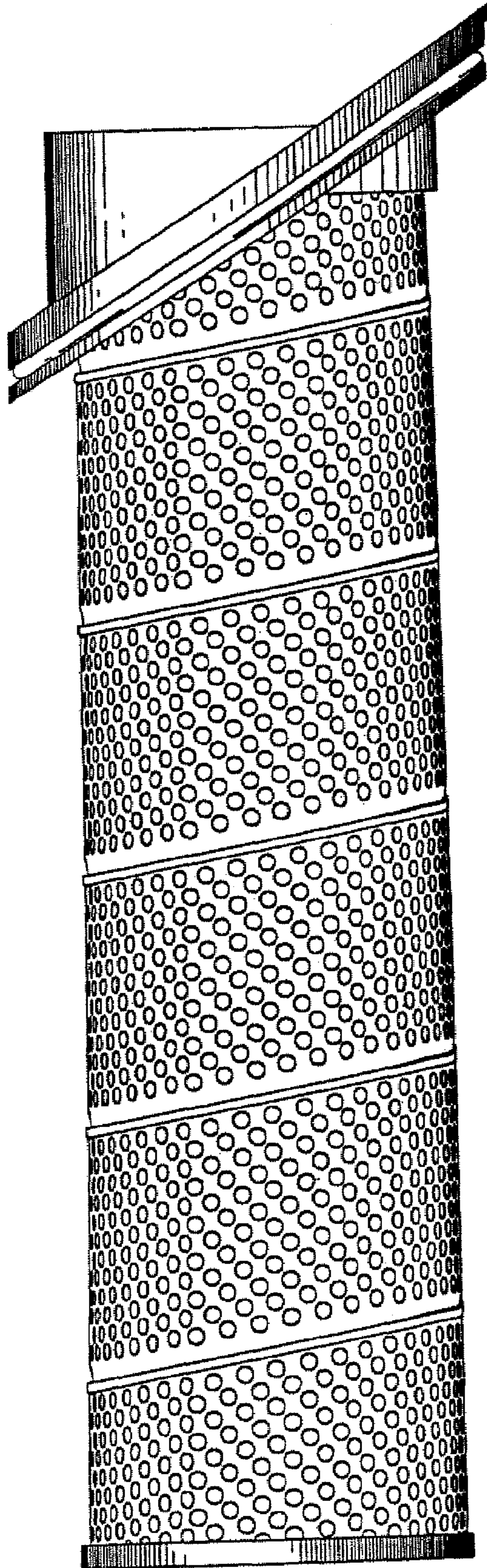


FIG. 2

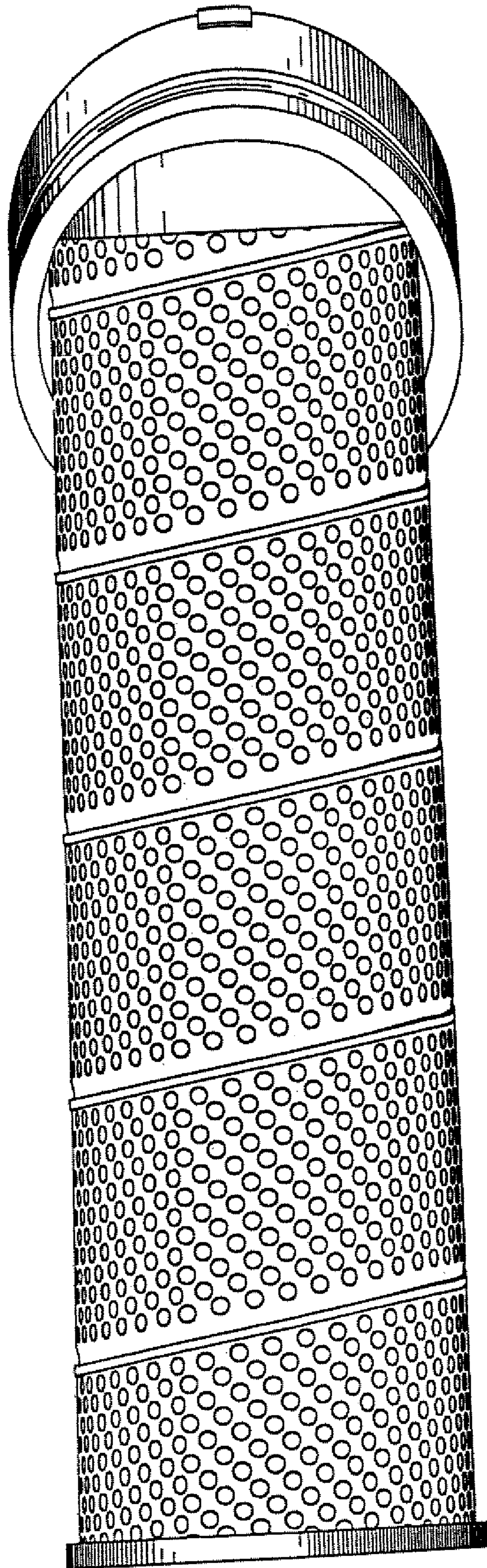


FIG. 3

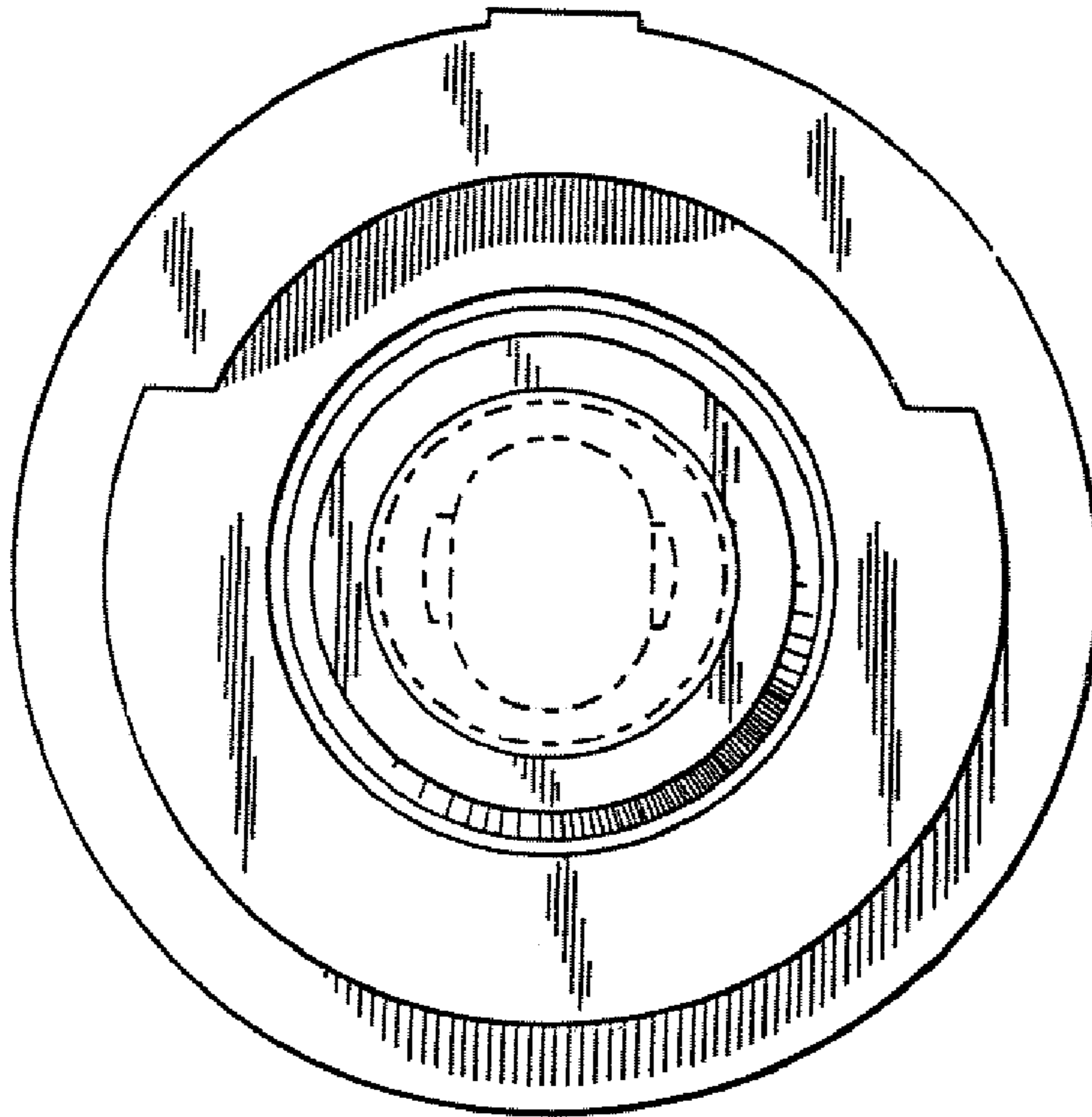


FIG. 4

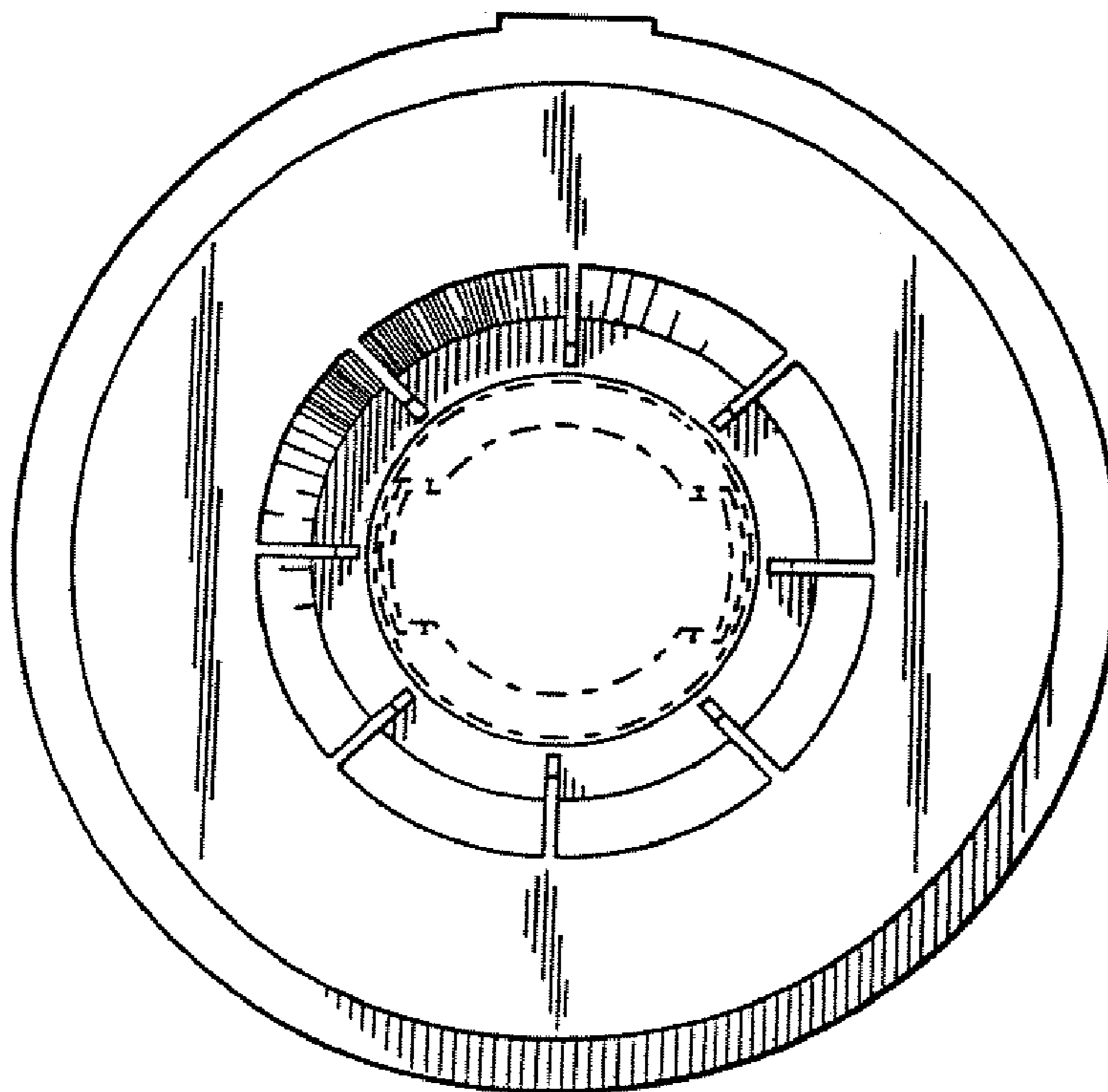


FIG. 5

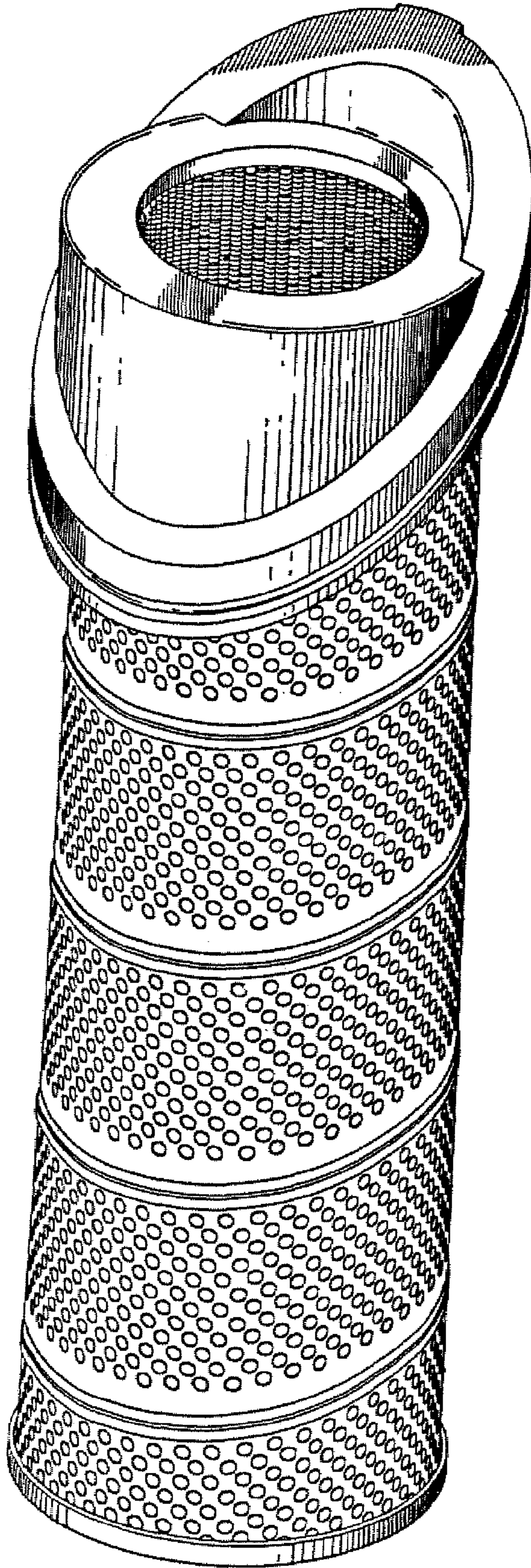


FIG. 6