



US00D560740S

(12) **United States Design Patent**
Phelps et al.

(10) **Patent No.:** **US D560,740 S**

(45) **Date of Patent:** **** *Jan. 29, 2008**

(54) **PLAYGROUND EQUIPMENT**

(75) Inventors: **Bryan Phelps**, Roy, UT (US); **Corey Phillips**, Roy, UT (US)

(73) Assignee: **Performance Design, Inc.**, Clearfield, UT (US)

(*) Notice: This patent is subject to a terminal disclaimer.

(**) Term: **14 Years**

(21) Appl. No.: **29/265,013**

(22) Filed: **Aug. 23, 2006**

(51) **LOC (8) Cl.** **08-07**

(52) **U.S. Cl.** **D21/826**

(58) **Field of Classification Search** D21/811,
D21/814, 818-827; 482/35, 36; 472/116-117
See application file for complete search history.

(56) **References Cited**

U.S. PATENT DOCUMENTS

- D160,320 S * 10/1950 Horowitz D21/823
- D180,902 S 9/1957 Goundie et al.
- D209,596 S 12/1967 Hubel
- 3,485,494 A 12/1969 Lieberman
- D224,247 S 7/1972 Jamison
- D224,796 S 9/1972 Price et al.
- D257,053 S 9/1980 Ezell
- D257,165 S * 9/1980 Ezell D21/823
- D268,693 S 4/1983 Works
- D271,037 S 10/1983 Gordon
- D274,450 S 6/1984 Gordon
- D277,222 S 1/1985 Mower et al.
- D281,447 S 11/1985 Gordon
- 4,796,884 A 1/1989 Ely et al.
- D340,273 S 10/1993 Ezell
- D347,458 S 5/1994 Cunard et al.
- D363,522 S 10/1995 Erlick
- D366,512 S 1/1996 Ziegler et al.
- D370,957 S 6/1996 Erlick
- D374,902 S 10/1996 Bookstaver et al.

- D417,314 S 11/1999 Smith, Jr.
- D429,788 S 8/2000 Sutton et al.
- D433,477 S 11/2000 Addleman
- D435,881 S 1/2001 Gardner et al.
- D436,224 S 1/2001 Gardner et al.

(Continued)

OTHER PUBLICATIONS

- U.S. Appl. No. 29/241,103, filed Oct. 24, 2005, Nye et al.
- U.S. Appl. No. 29/255,199, filed Mar. 6, 2006, Nye et al.
- U.S. Appl. No. 29/255,200, filed Mar. 6, 2006, Nye et al.
- U.S. Appl. No. 29/255,201, filed Mar. 6, 2006, Nye et al.
- U.S. Appl. No. 29/255,204, filed Mar. 6, 2006, Nye et al.
- U.S. Appl. No. 29/255,205, filed Mar. 6, 2006, Nye et al.
- U.S. Appl. No. 29/255,234, filed Mar. 6, 2006, Nye et al.
- U.S. Appl. No. 29/255,248, filed Mar. 6, 2006, Nye et al.
- U.S. Appl. No. 29/255,249, filed Mar. 6, 2006, Nye et al.
- U.S. Appl. No. 29/256,361, filed Mar. 20, 2006, Kearl.

Primary Examiner—Mitchell Siegel

(74) *Attorney, Agent, or Firm*—Workman Nydegger

(57) **CLAIM**

The ornamental design for playground equipment, as shown and described.

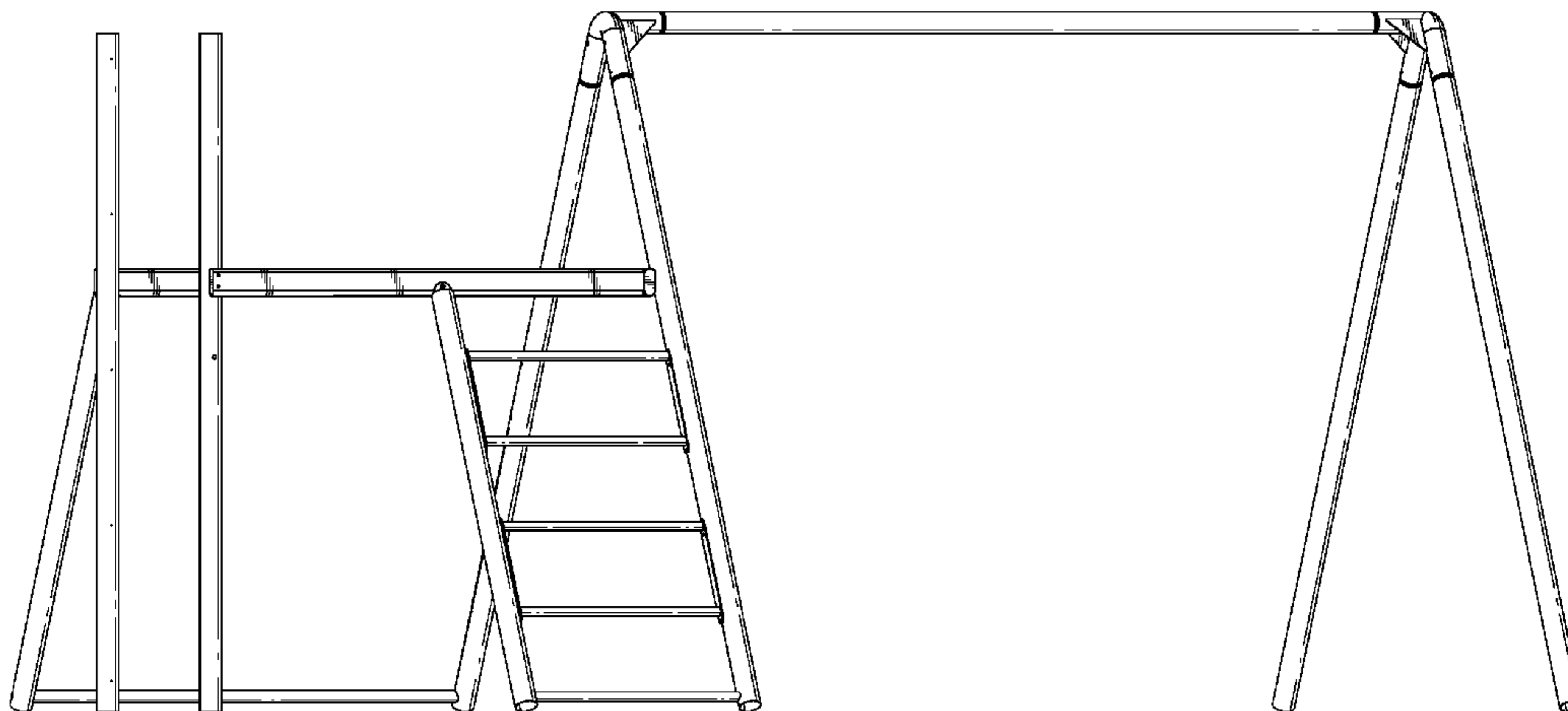
DESCRIPTION

FIG. 1 is a perspective view of the playground equipment; FIG. 2 is another perspective view of the playground equipment;

FIG. 3 is a front view of the playground equipment; FIG. 4 is a rear view of the playground equipment; FIG. 5 is a top view of the playground equipment; FIG. 6 is a bottom view of the playground equipment; FIG. 7 is a left side view of the playground equipment; and, FIG. 8 is a right side view of the playground equipment.

The broken lines shown in the figures are for illustrative purposes only and form no part of the claimed design.

1 Claim, 7 Drawing Sheets



US D560,740 S

Page 2

U.S. PATENT DOCUMENTS

D440,623 S	4/2001	Gardner et al.	D493,504 S	7/2004	Byrd et al.	
6,482,095 B2 *	11/2002	Zeilinger	D524,895 S	7/2006	VanDeusen et al.	
		472/117	D534,984 S *	1/2007	Nye et al.	D21/818
D468,386 S	1/2003	Frank	D536,407 S *	2/2007	Nye et al.	D21/818
D468,387 S	1/2003	Ezell	D536,408 S *	2/2007	Nye et al.	D21/818
6,527,645 B1	3/2003	Cline	D536,410 S *	2/2007	Nye et al.	D21/822
D485,326 S	1/2004	Frank	D536,411 S *	2/2007	Nye et al.	D21/822
D493,204 S	7/2004	Frank	D538,878 S *	3/2007	Kearl	D21/827

* cited by examiner

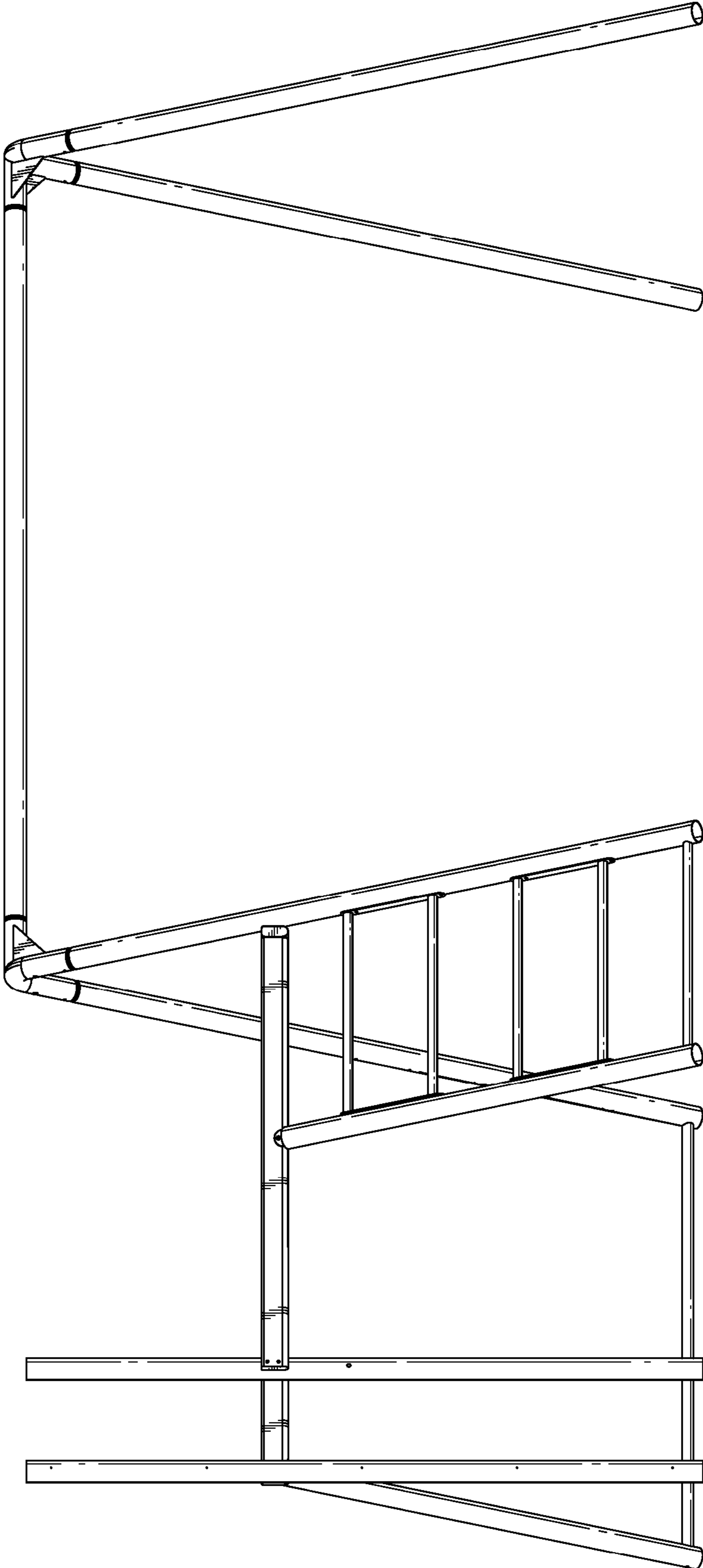


FIG. 1

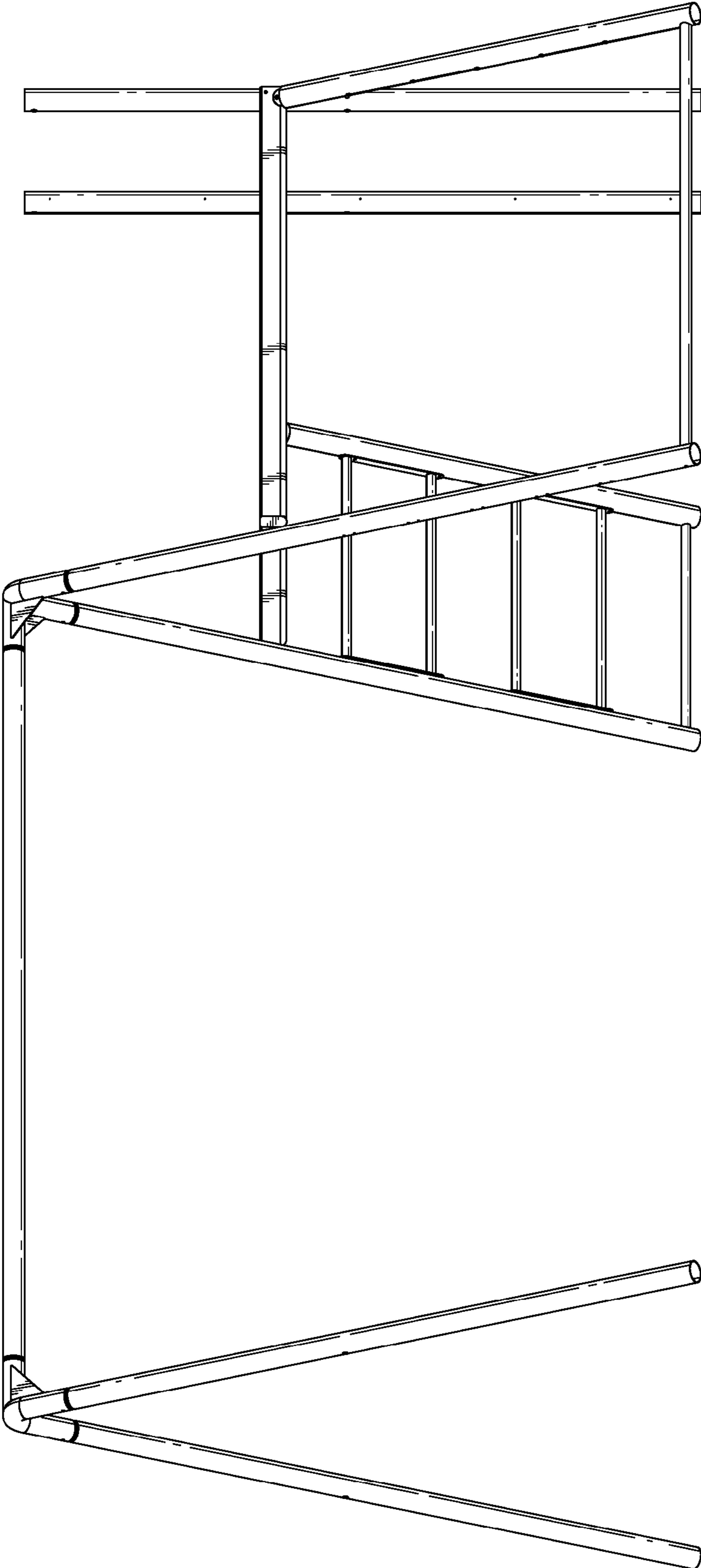


FIG. 2

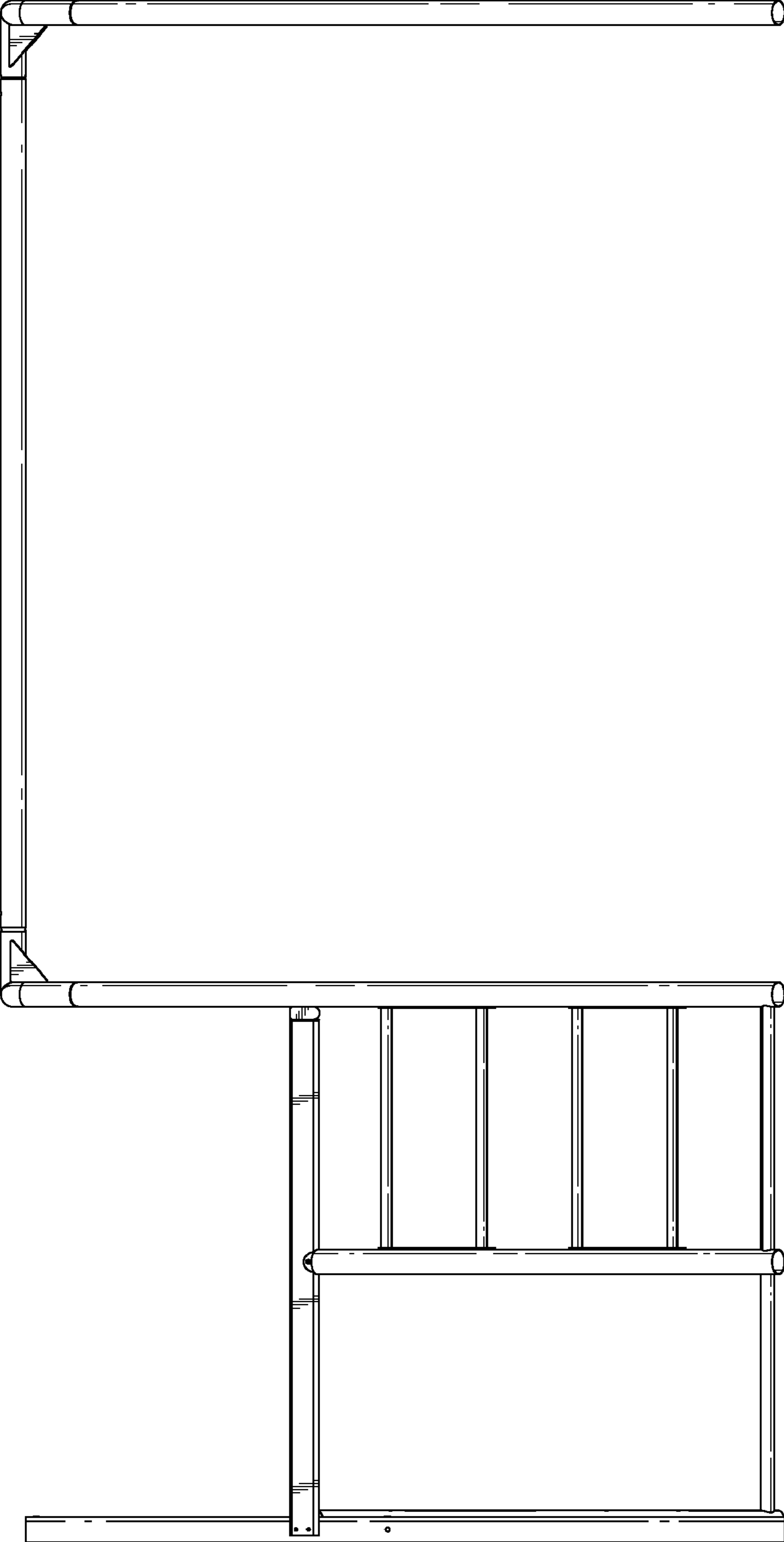


FIG. 3

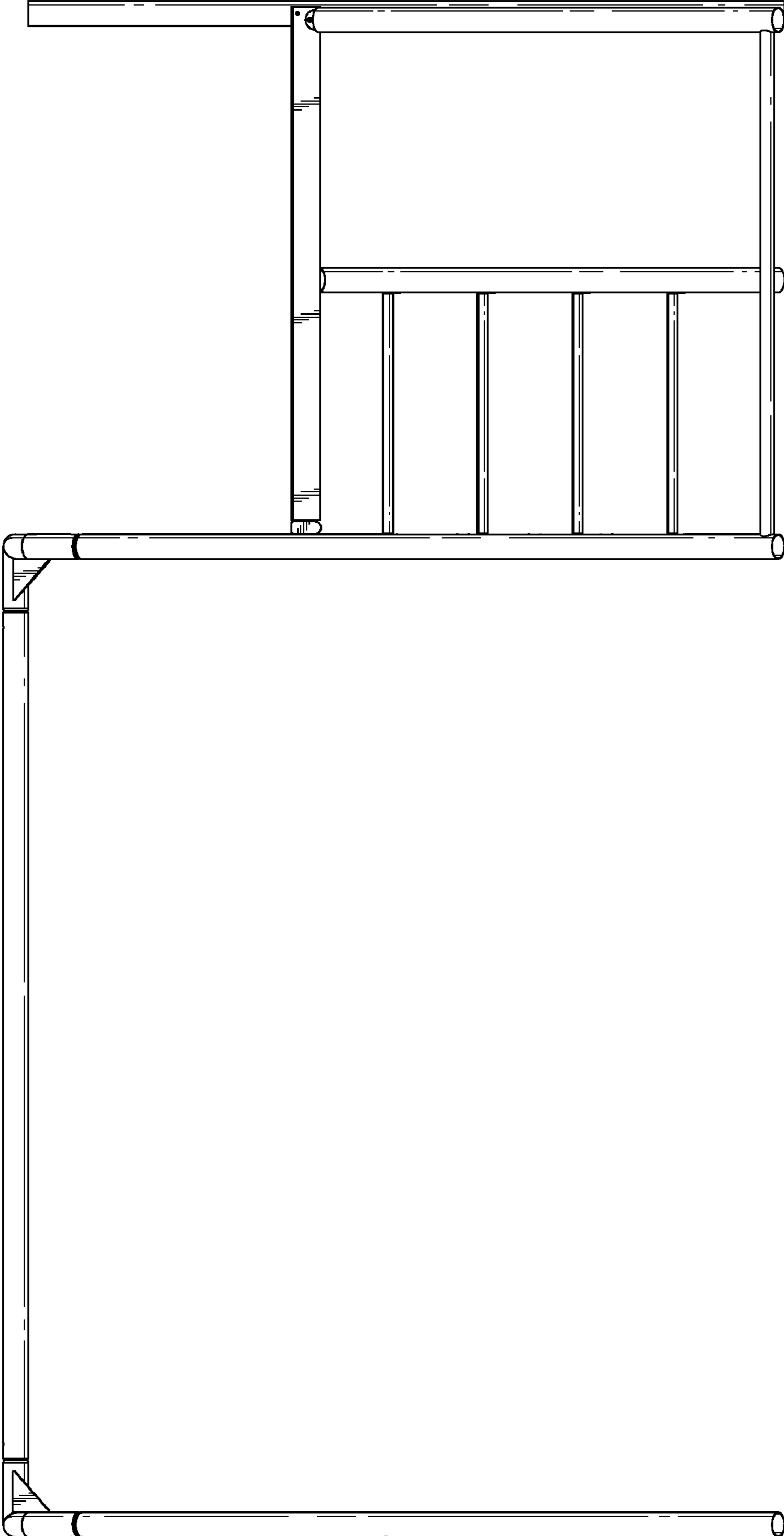


FIG. 4

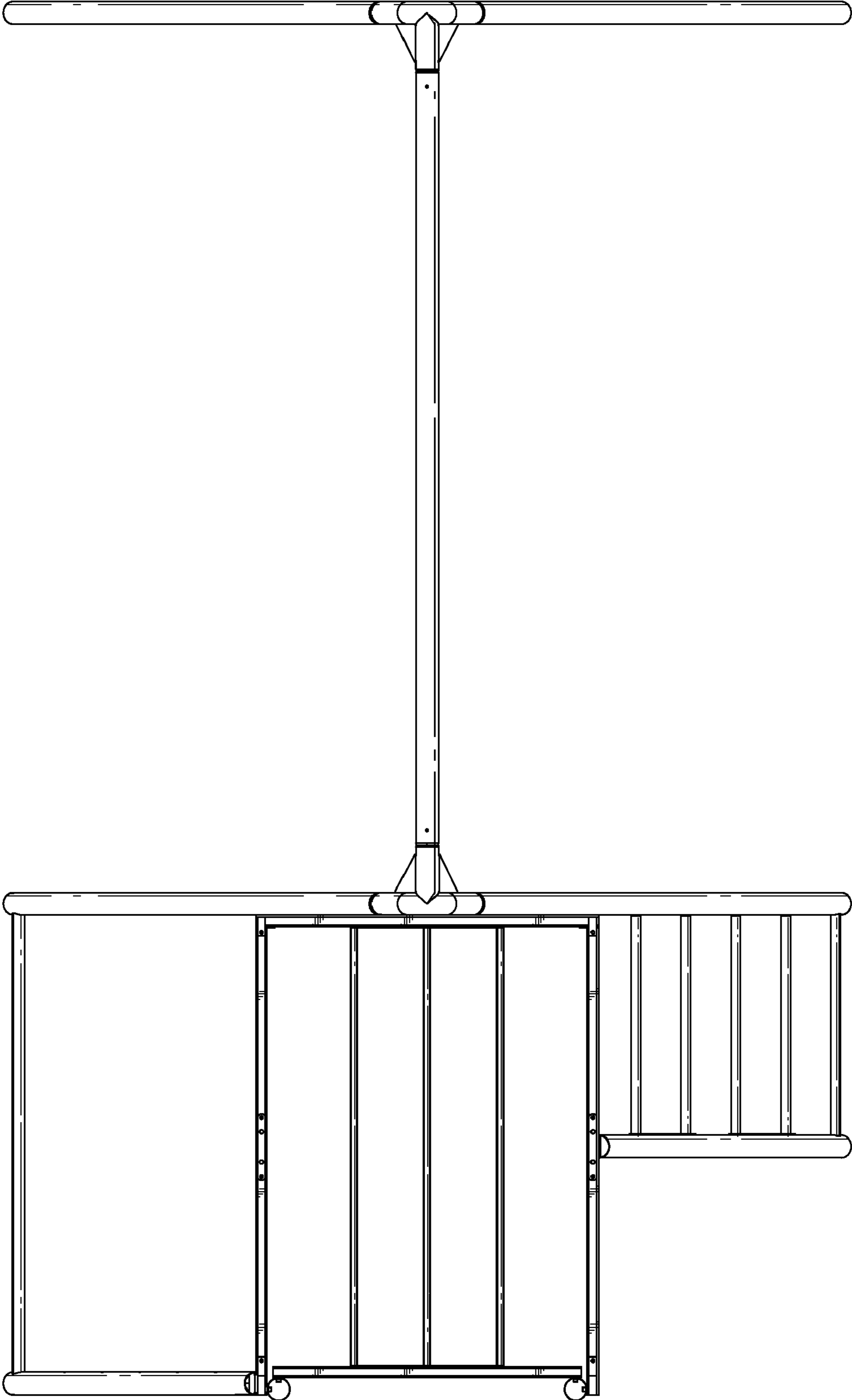


FIG. 5

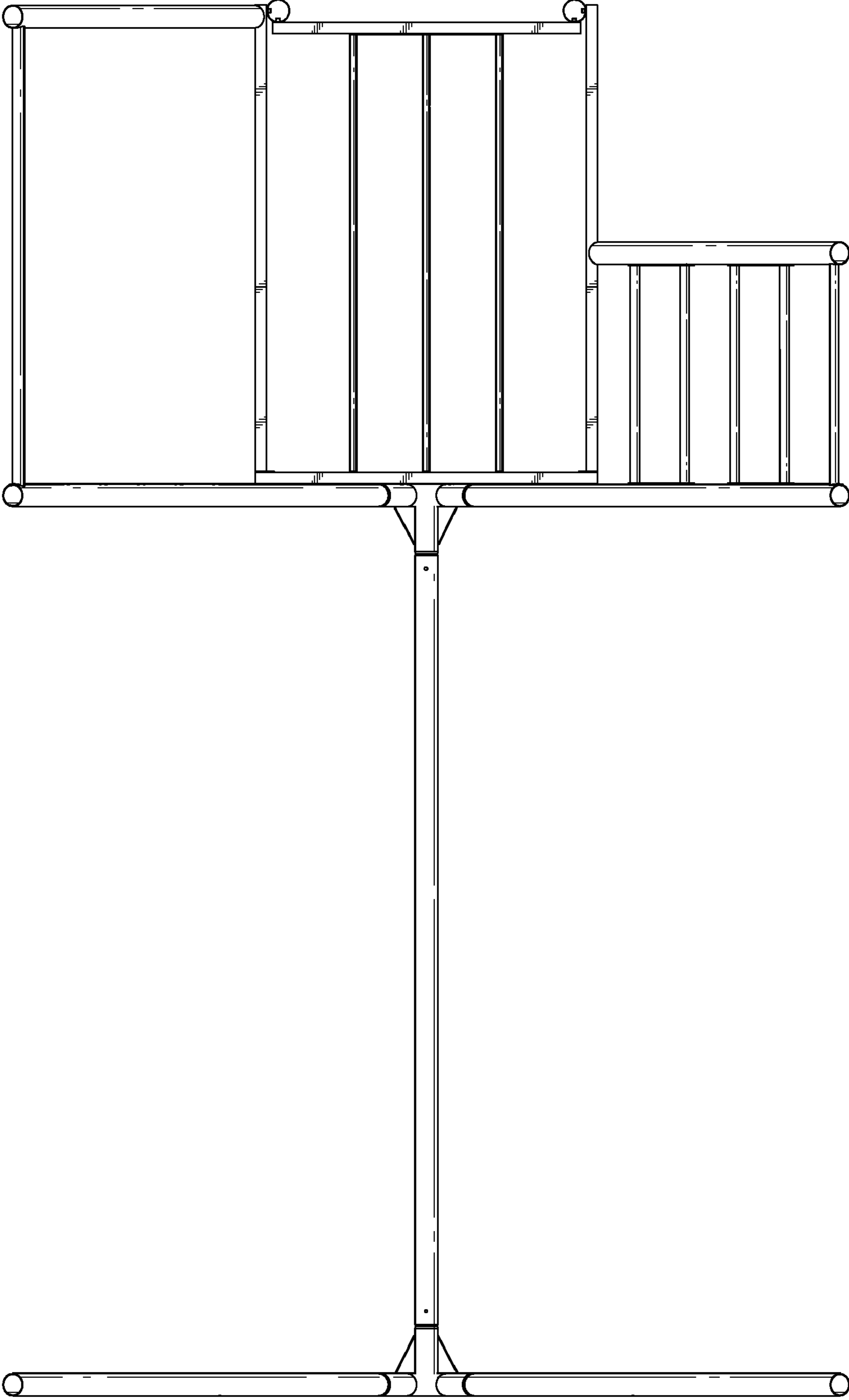


FIG. 6

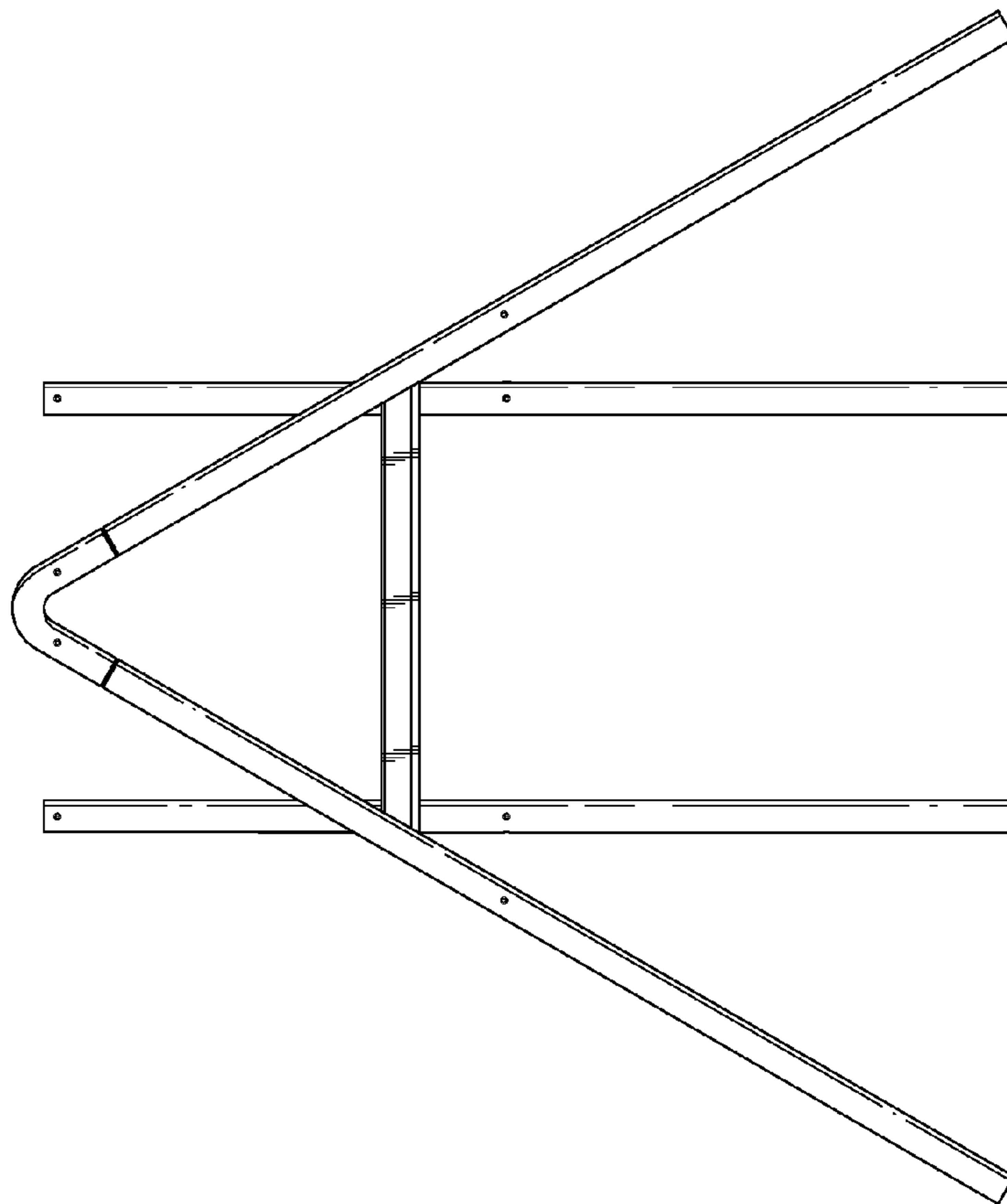


FIG. 8

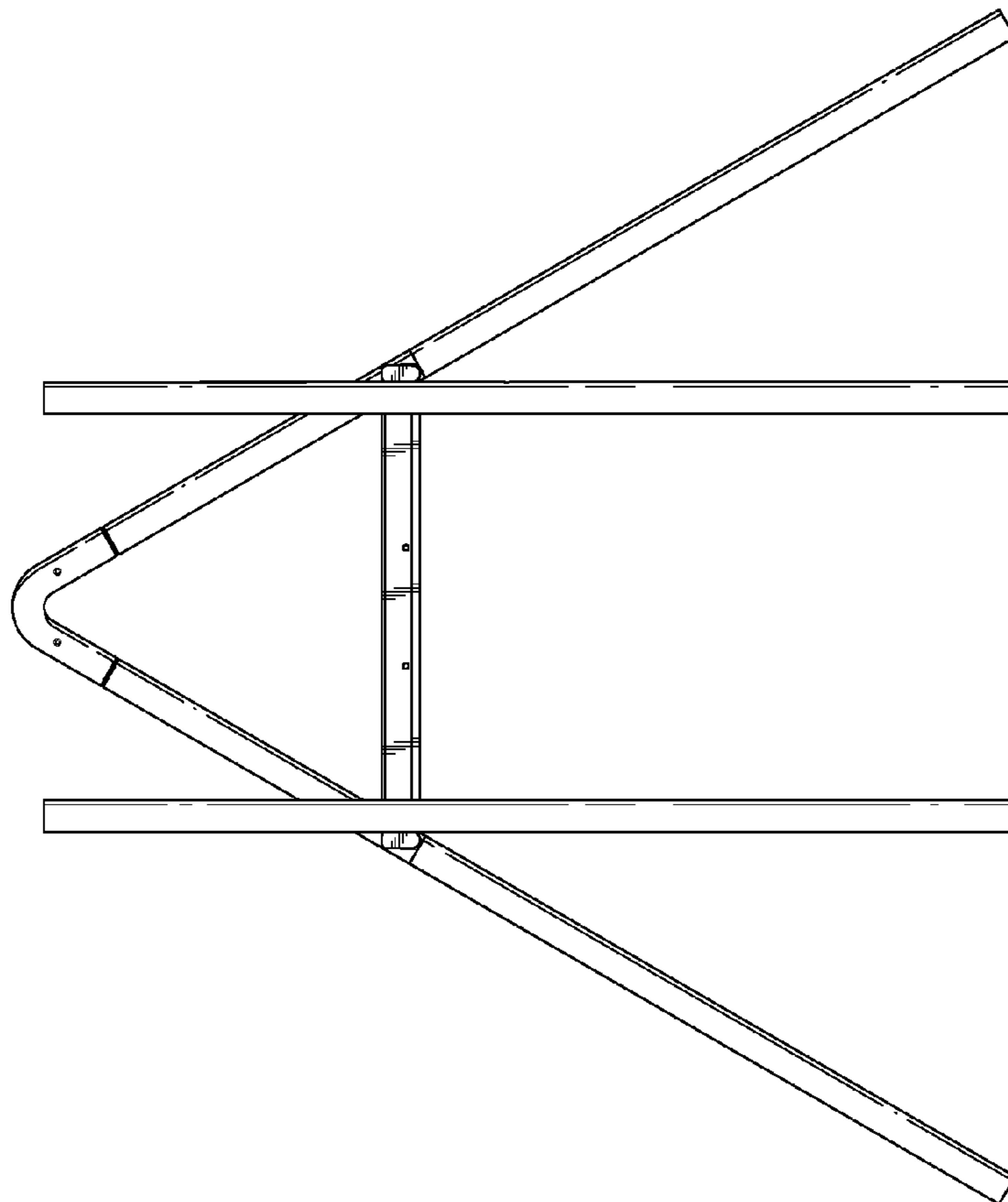


FIG. 7