



US00D560739S

(12) **United States Design Patent**  
**Bernatz**

(10) **Patent No.:** **US D560,739 S**  
(45) **Date of Patent:** **\*\* Jan. 29, 2008**

(54) **FLEXIBLE, PLASTIC GOLF MARKER FOR SNAP-ON SECUREMENT TO A SPRINKLER HEAD**

D391,340 S \* 2/1998 Bernatz ..... D23/227  
D420,085 S \* 2/2000 Bernatz ..... D21/794  
D506,152 S \* 6/2005 Dombrowski ..... D10/70

(76) Inventor: **Thomas H. Bernatz**, 2914 E. Katella Ave., Suite 203, Orange, CA (US) 92667

\* cited by examiner

*Primary Examiner*—Mitchell Siegel

(74) *Attorney, Agent, or Firm*—Willie Krawitz

(\*\*) Term: **14 Years**

(57) **CLAIM**

(21) Appl. No.: **29/266,462**

The ornamental design for a flexible, plastic golf marker for snap-on securement to a sprinkler head, as shown and described.

(22) Filed: **Sep. 21, 2006**

(51) **LOC (8) Cl.** ..... **21-02**

**DESCRIPTION**

(52) **U.S. Cl.** ..... **D21/794**

(58) **Field of Classification Search** ..... D21/789,  
D21/794; 473/150, 405, 406, 285; D10/70,  
D10/113; D23/227

FIG. 1 is a perspective view of a flexible, plastic golf marker for snap-on securement to a sprinkler head showing my design;

FIG. 2 is a side elevation view thereof;

FIG. 3 is a top plan view thereof; and,

FIG. 4 is a bottom plan view thereof.

See application file for complete search history.

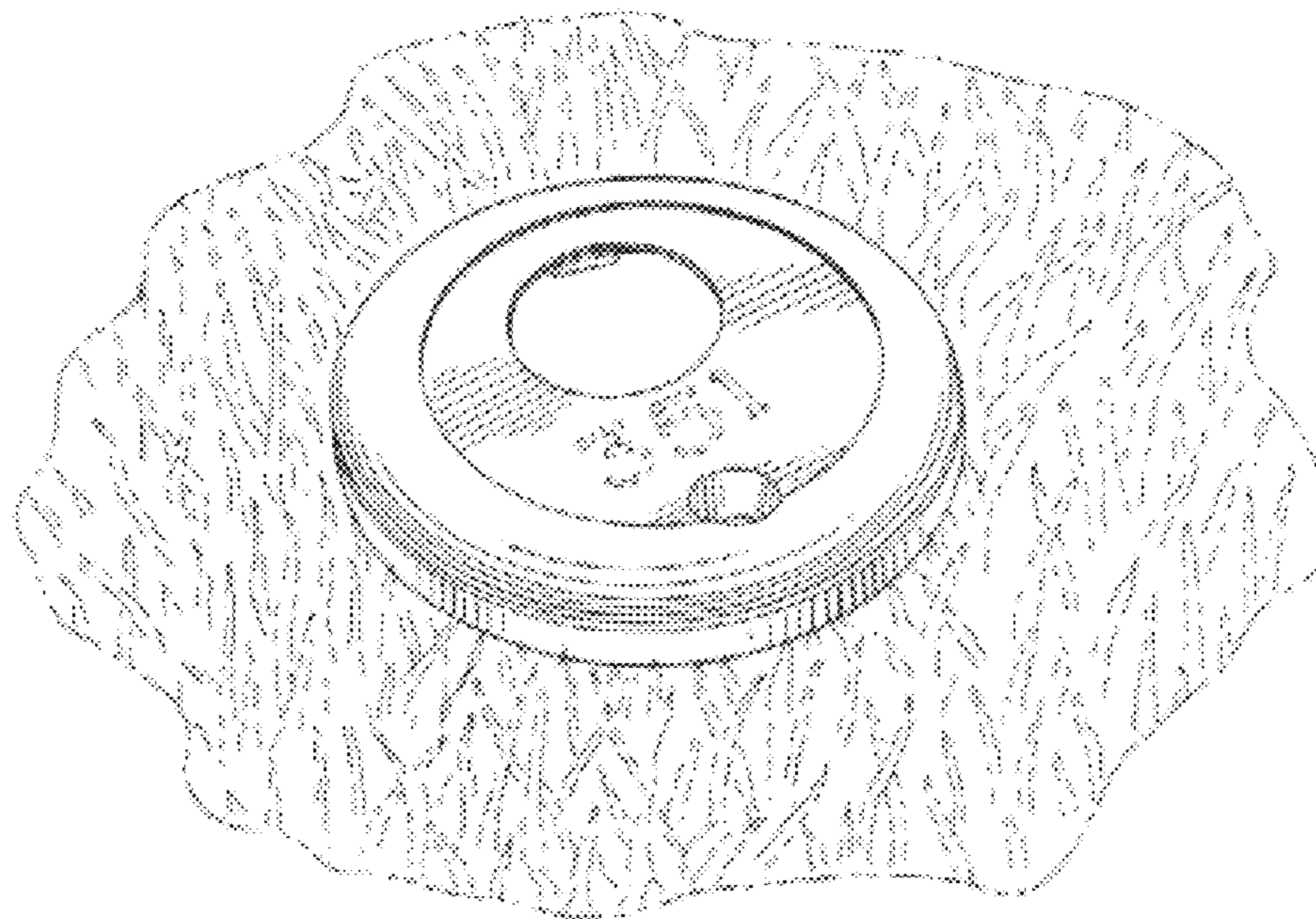
The broken line showing is included for the purpose of illustrating and forms no part of the claimed design.

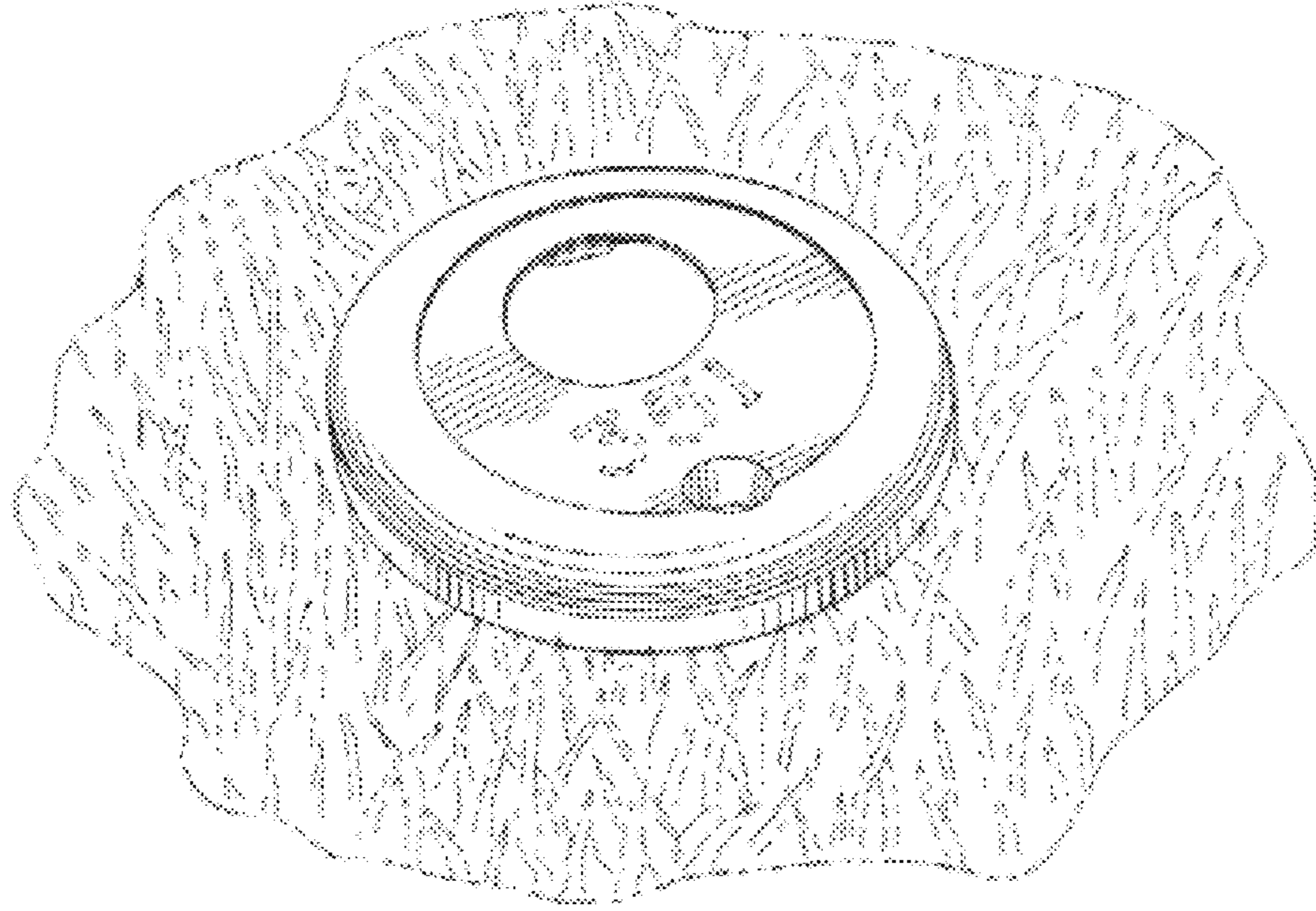
(56) **References Cited**

U.S. PATENT DOCUMENTS

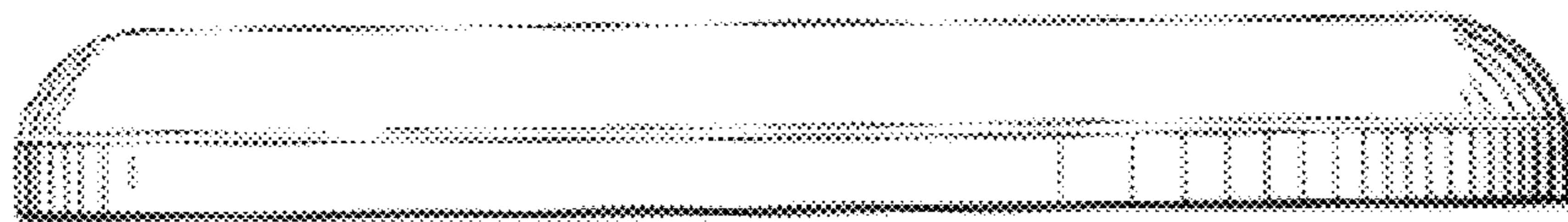
4,108,439 A \* 8/1978 McGuire ..... 473/150  
5,340,103 A \* 8/1994 Kirby et al. .... 473/150  
5,451,000 A \* 9/1995 Shaw et al. .... 473/150

**1 Claim, 2 Drawing Sheets**

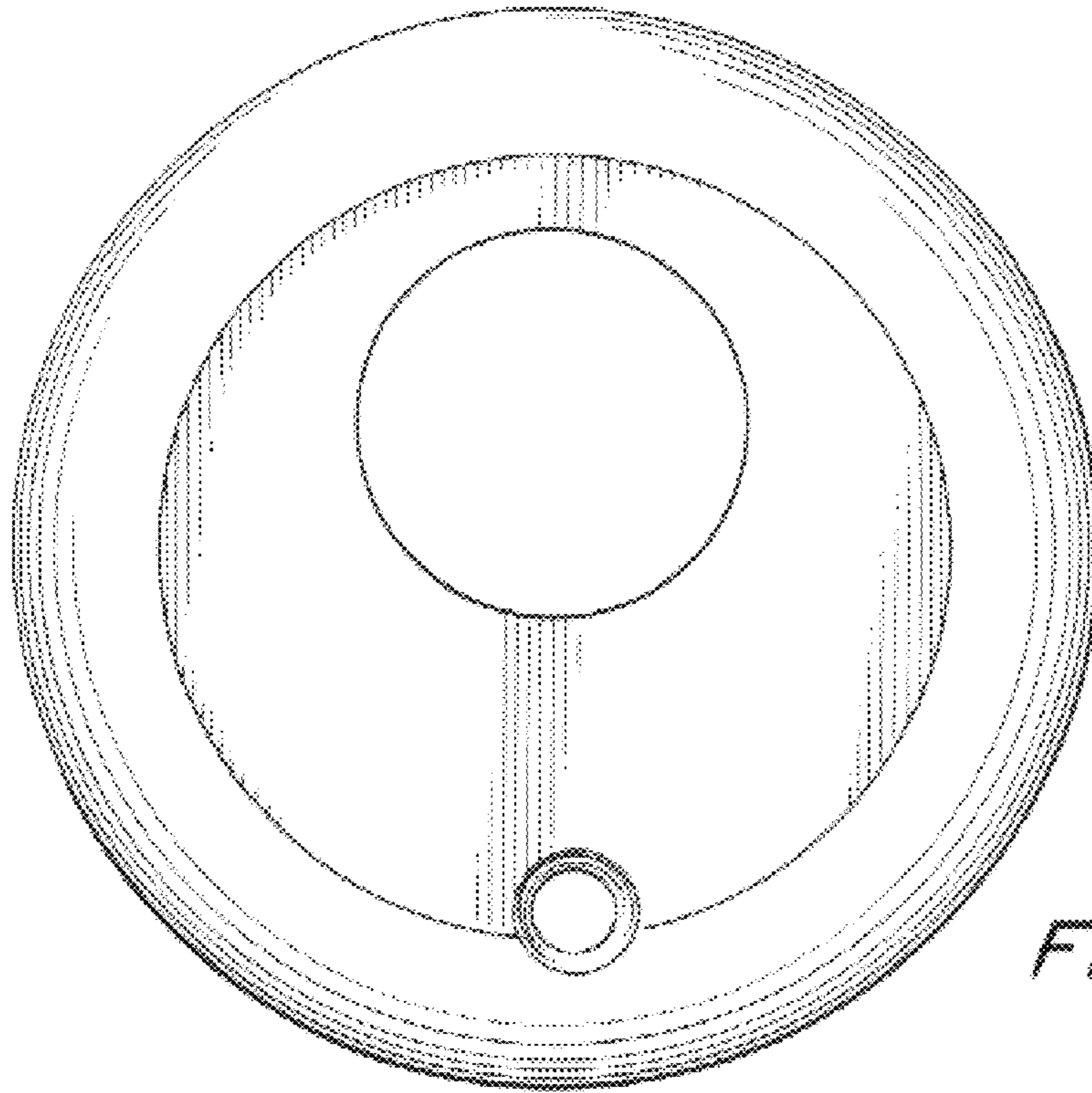




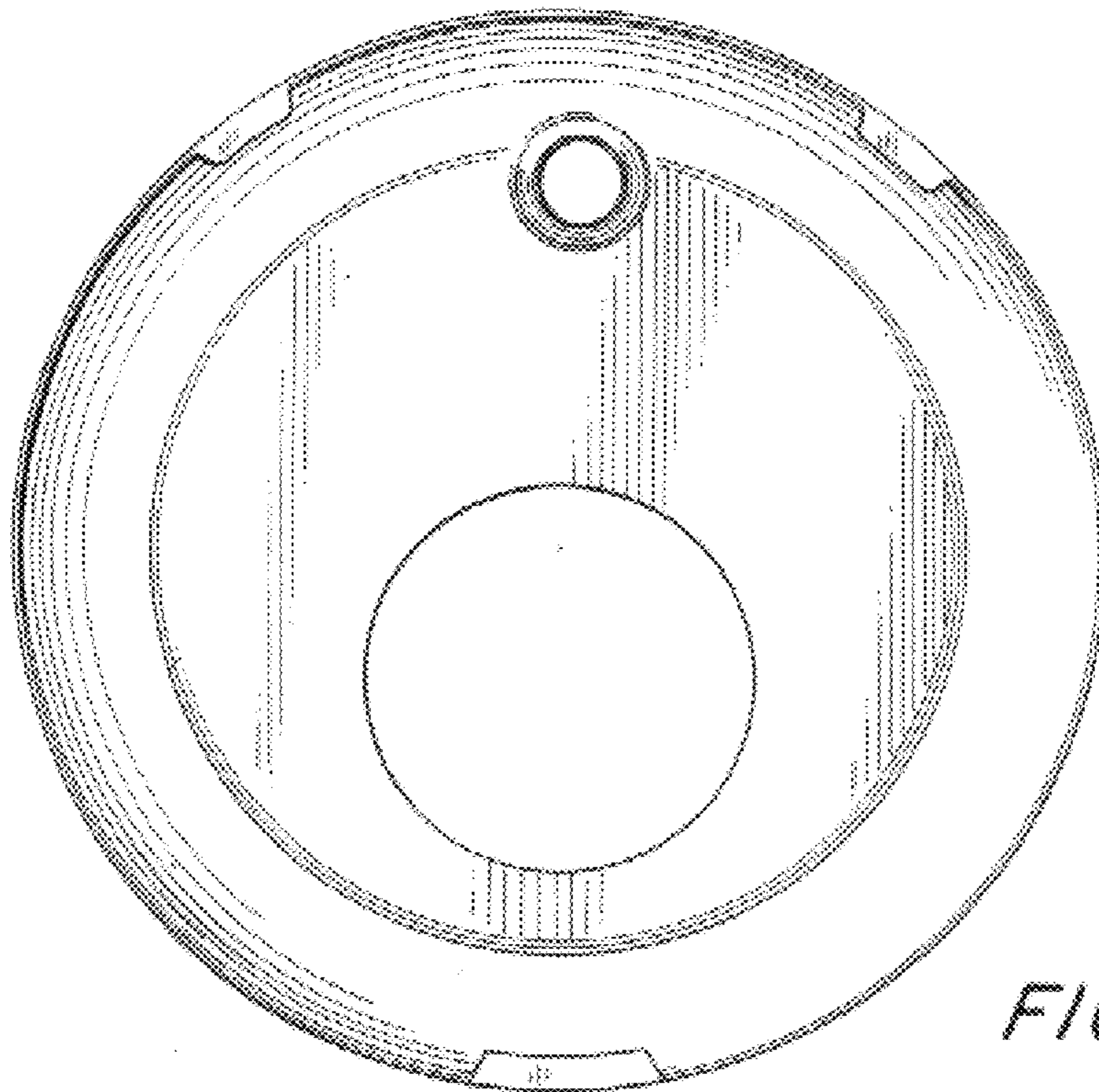
*FIG. 1*



*FIG. 2*



*FIG. 3*



*FIG. 4*