



US00D560733S

(12) **United States Design Patent** (10) **Patent No.:** **US D560,733 S**
Lorenz (45) **Date of Patent:** **** Jan. 29, 2008**

(54) **STUFFED ANIMAL WITH PROSTHETIC**

(76) Inventor: **Brian M. Lorenz**, 7496 Collins Ave.,
La Mesa, CA (US) 91942

(**) Term: **14 Years**

(21) Appl. No.: **29/246,430**

(22) Filed: **Apr. 11, 2006**

(51) **LOC (8) Cl.** **21-01**

(52) **U.S. Cl.** **D21/658; D24/155**

(58) **Field of Classification Search** D21/576-578,
D21/584-592, 604-655, 658-661; D11/158;
D24/155; 446/72, 97-98, 268-269, 295,
446/321, 369; 623/24, 32, 38, 42, 53
See application file for complete search history.

(56) **References Cited**

U.S. PATENT DOCUMENTS

D267,964 S *	2/1983	Gibbons	D21/655
D268,606 S *	4/1983	Gibbons	D21/604
D271,677 S *	12/1983	Ivy	D11/158
D295,543 S *	5/1988	Phillippi	D21/655
4,955,920 A *	9/1990	Wellershaus et al.	623/32
D325,084 S *	3/1992	Martinez	D24/155

D356,826 S *	3/1995	Malcom	D21/585
5,571,210 A *	11/1996	Lindh	623/38
D494,273 S *	8/2004	Haugland et al.	D24/155
6,887,279 B2 *	5/2005	Phillips et al.	623/38

* cited by examiner

Primary Examiner—Sandra L. Morris

(74) *Attorney, Agent, or Firm*—Nydegger & Associates

(57) **CLAIM**

The ornamental design for a stuffed animal with prosthetic,
as shown and described.

DESCRIPTION

FIG. 1 is a perspective view of the toy prosthetic;

FIG. 2 is a front elevation view thereof;

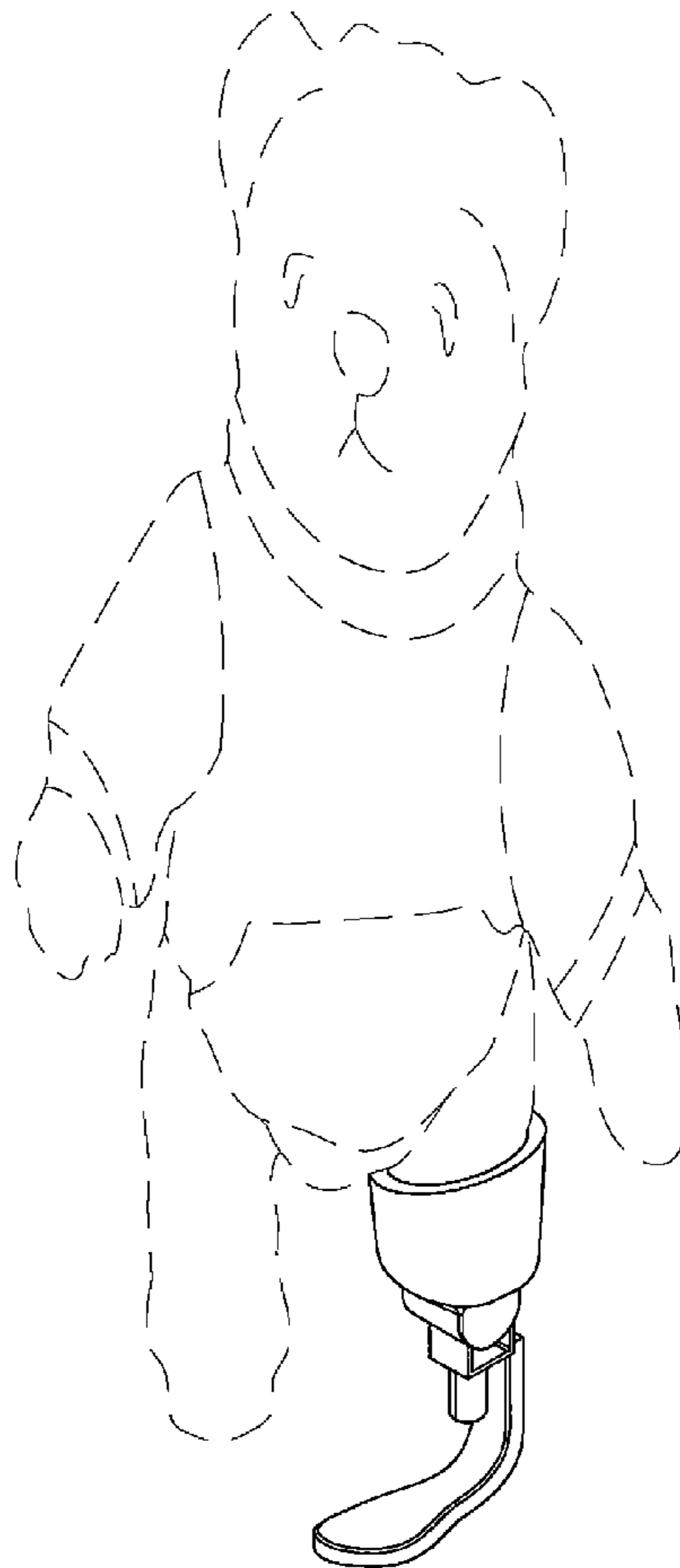
FIG. 3 is a bottom view thereof;

FIG. 4 is a right side view thereof; and,

FIG. 5 is a left side view thereof.

The broken line showing of the stuffed animal is for illustrative purposes only, and forms no part of the claimed design.

1 Claim, 3 Drawing Sheets



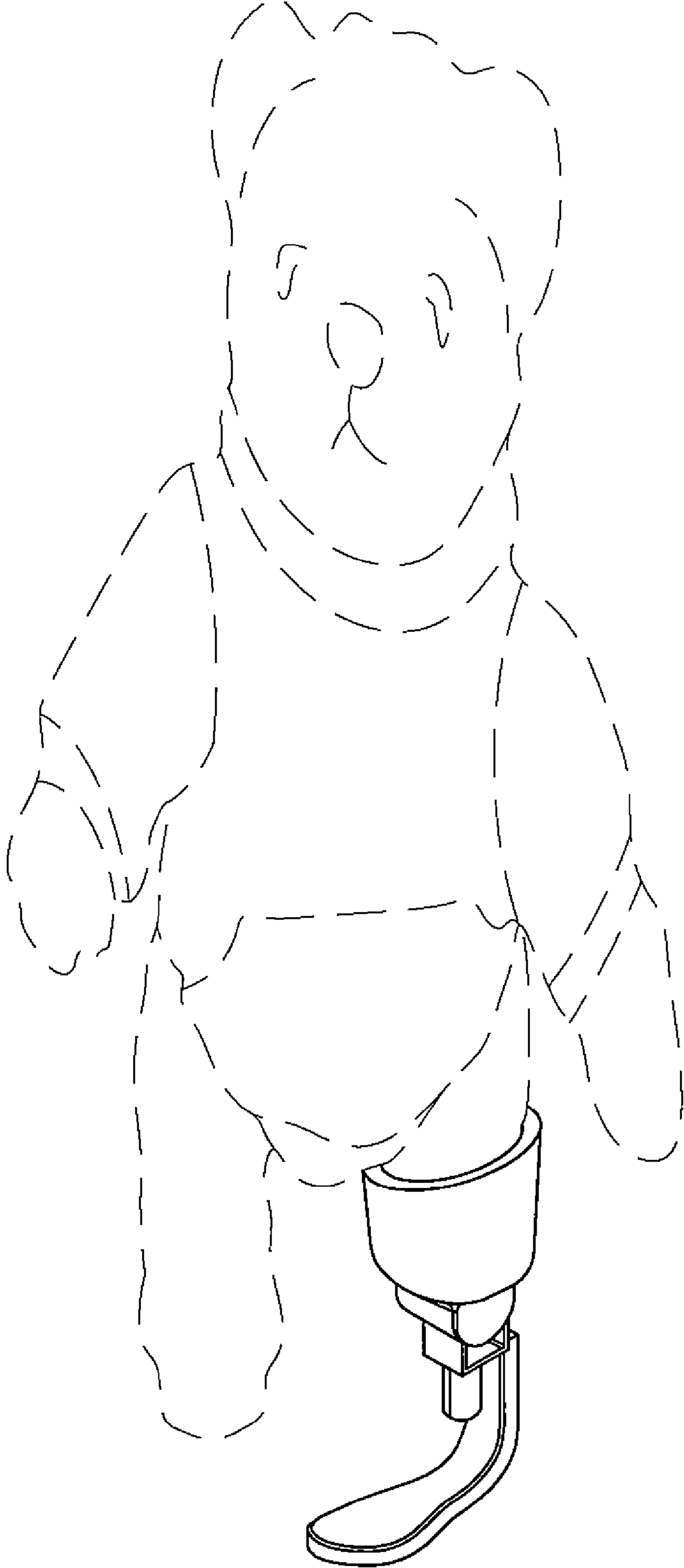


Fig. 1

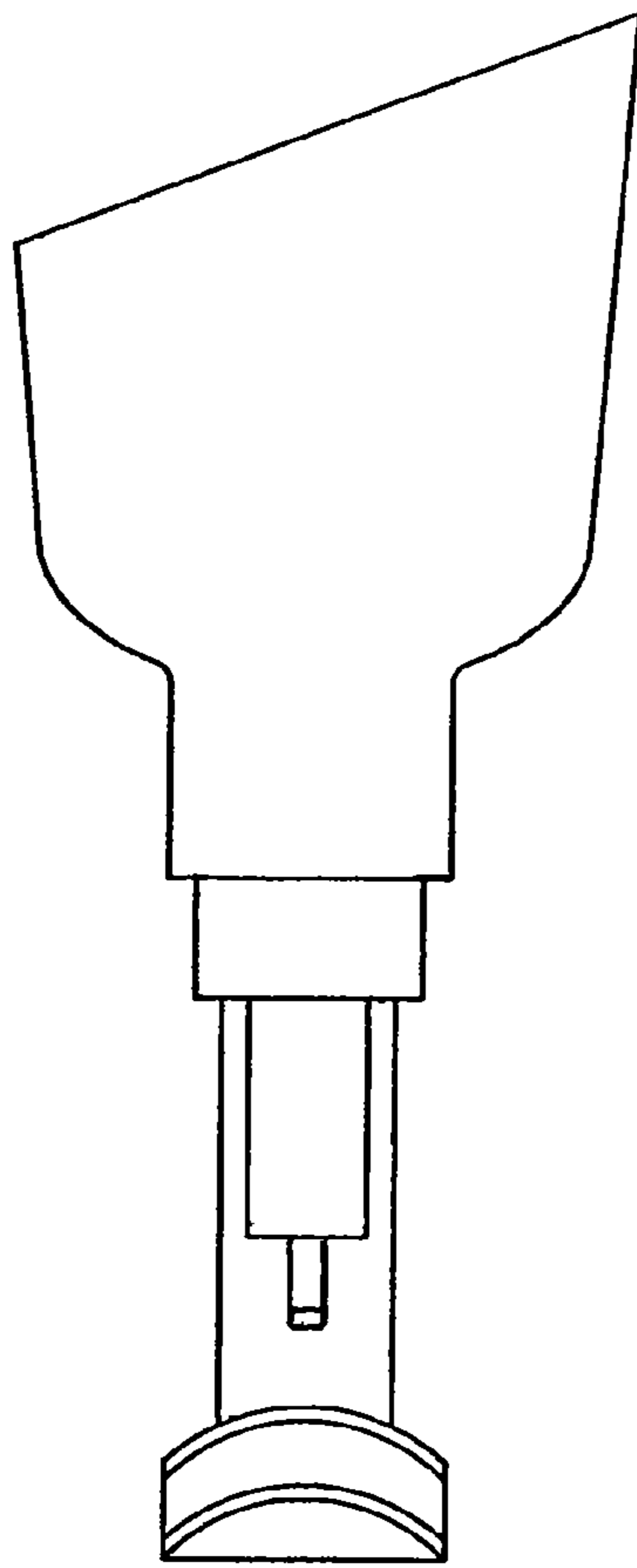


Fig. 2

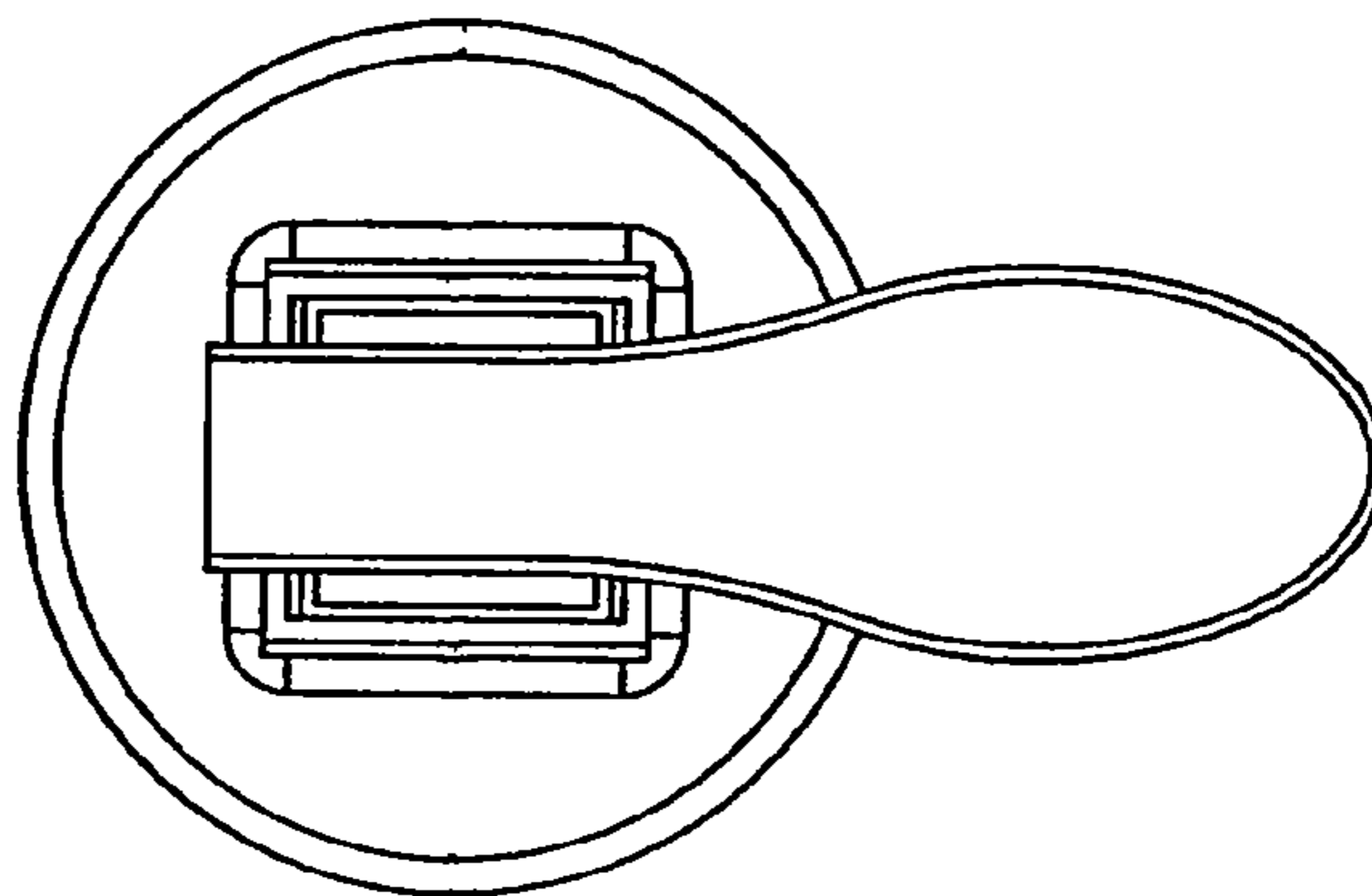


Fig. 3

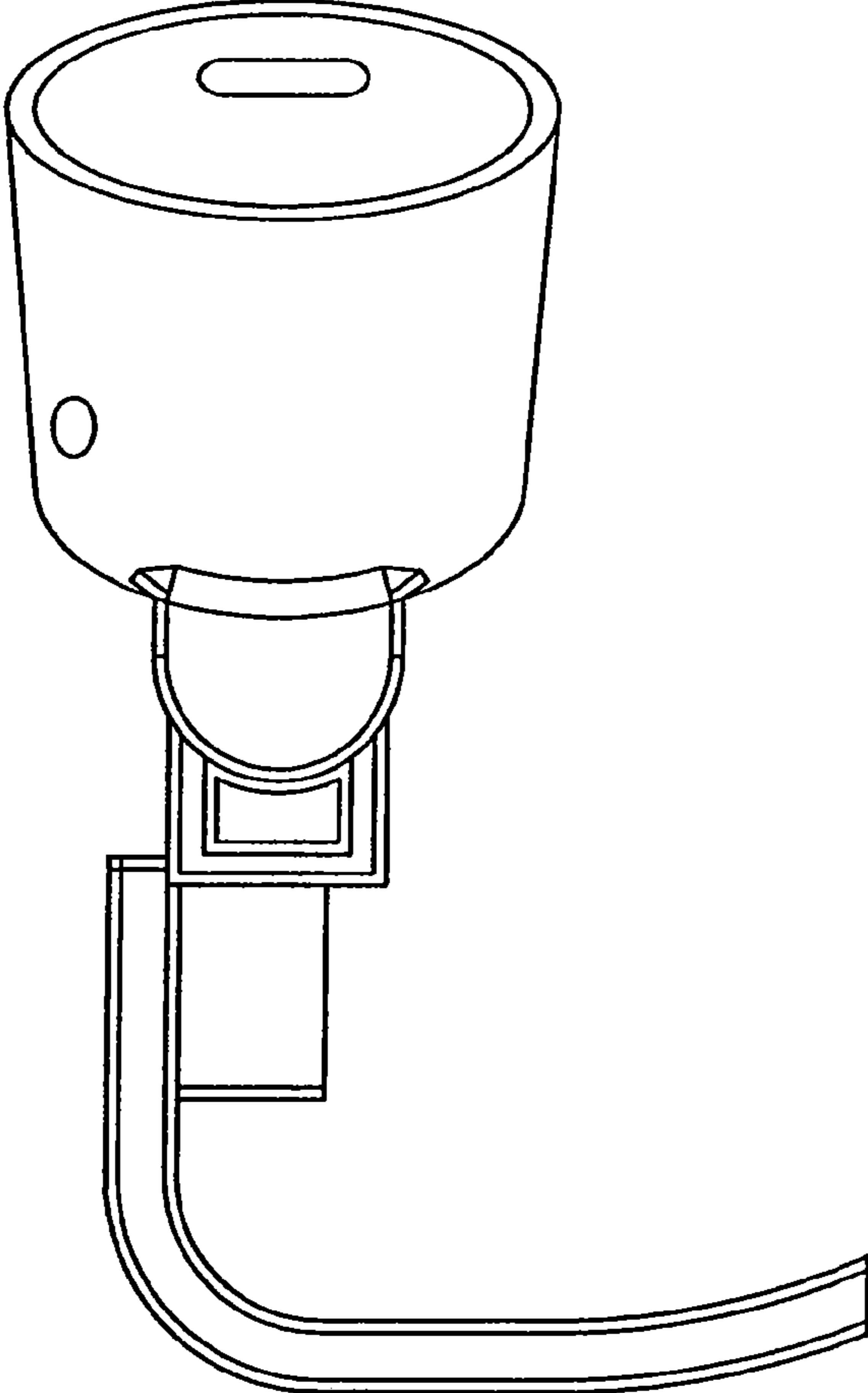


Fig. 4

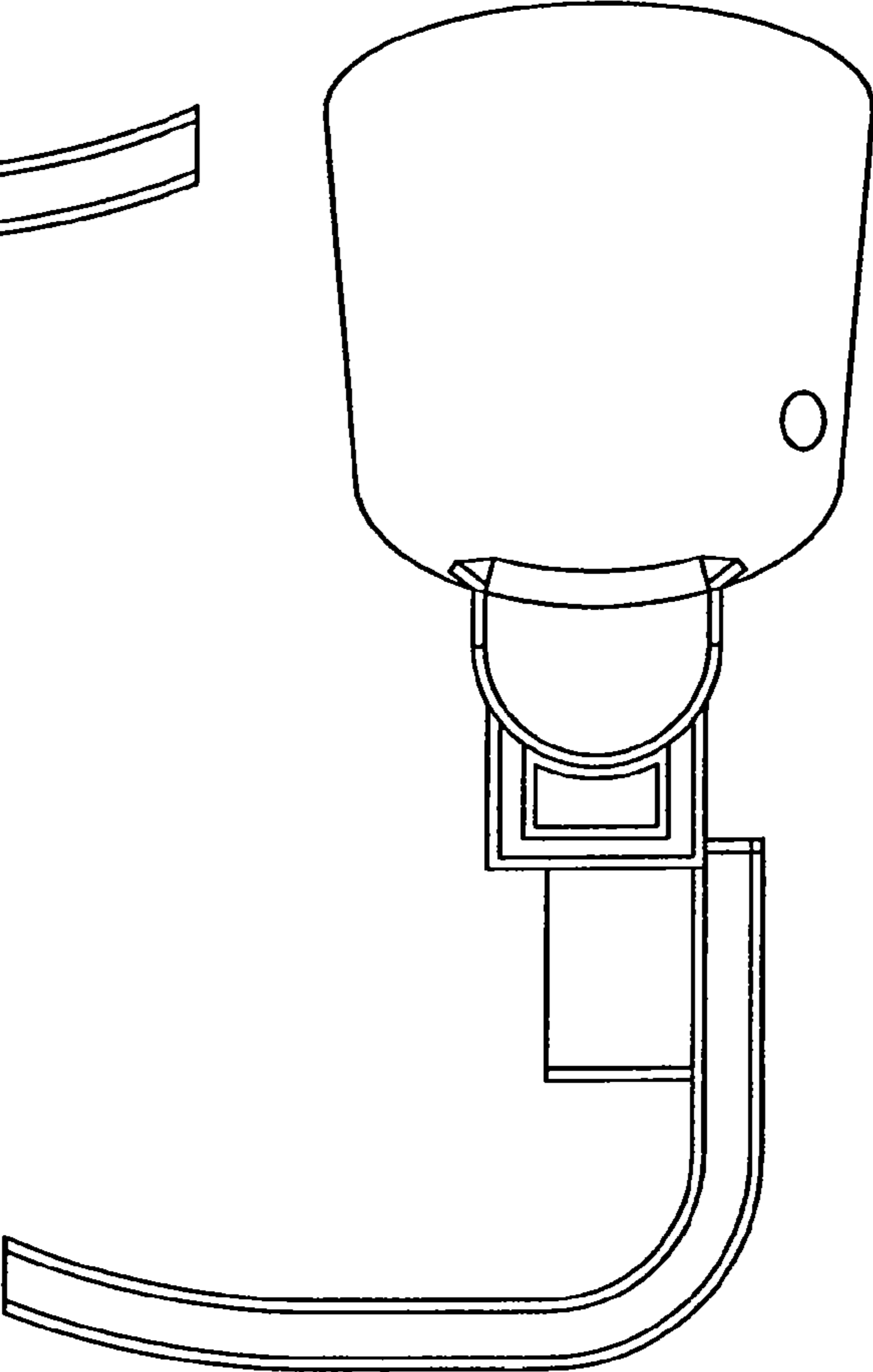


Fig. 5