



US00D560728S

(12) **United States Design Patent**  
**Chung**

(10) **Patent No.:** **US D560,728 S**

(45) **Date of Patent:** **\*\* Jan. 29, 2008**

(54) **TOY TRAIN**

D289,537 S \* 4/1987 Leung ..... D21/541  
D308,704 S \* 6/1990 Weiland ..... D21/427  
D330,737 S \* 11/1992 Silber ..... D21/427

(76) Inventor: **Li-Ping Chung**, No.33, Lane 458, She  
Chung St., Shihlin District, Taipei City  
111 (TW)

\* cited by examiner

(\*\*) Term: **14 Years**

*Primary Examiner*—Holly H. Baynham

*Assistant Examiner*—Cynthia M. Chin

(21) Appl. No.: **29/279,298**

(74) *Attorney, Agent, or Firm*—Ming Chow; Sinorica, LLC

(22) Filed: **Apr. 25, 2007**

(57) **CLAIM**

(51) **LOC (8) Cl.** ..... **21-01**

The ornamental design for a toy train, as shown and described.

(52) **U.S. Cl.** ..... **D21/427**

(58) **Field of Classification Search** ..... D21/419,  
D21/424, 427, 540, 541; D12/36–38; 446/410,  
446/451, 465, 467; 280/828, 47.25, 87.01,  
280/43.23

**DESCRIPTION**

See application file for complete search history.

FIG. 1 is a perspective view of a toy train showing the new design;

FIG. 2 is a front view thereof;

FIG. 3 is a rear view thereof;

FIG. 4 is a left side view thereof;

FIG. 5 is a right side view thereof;

FIG. 6 is a top view thereof; and,

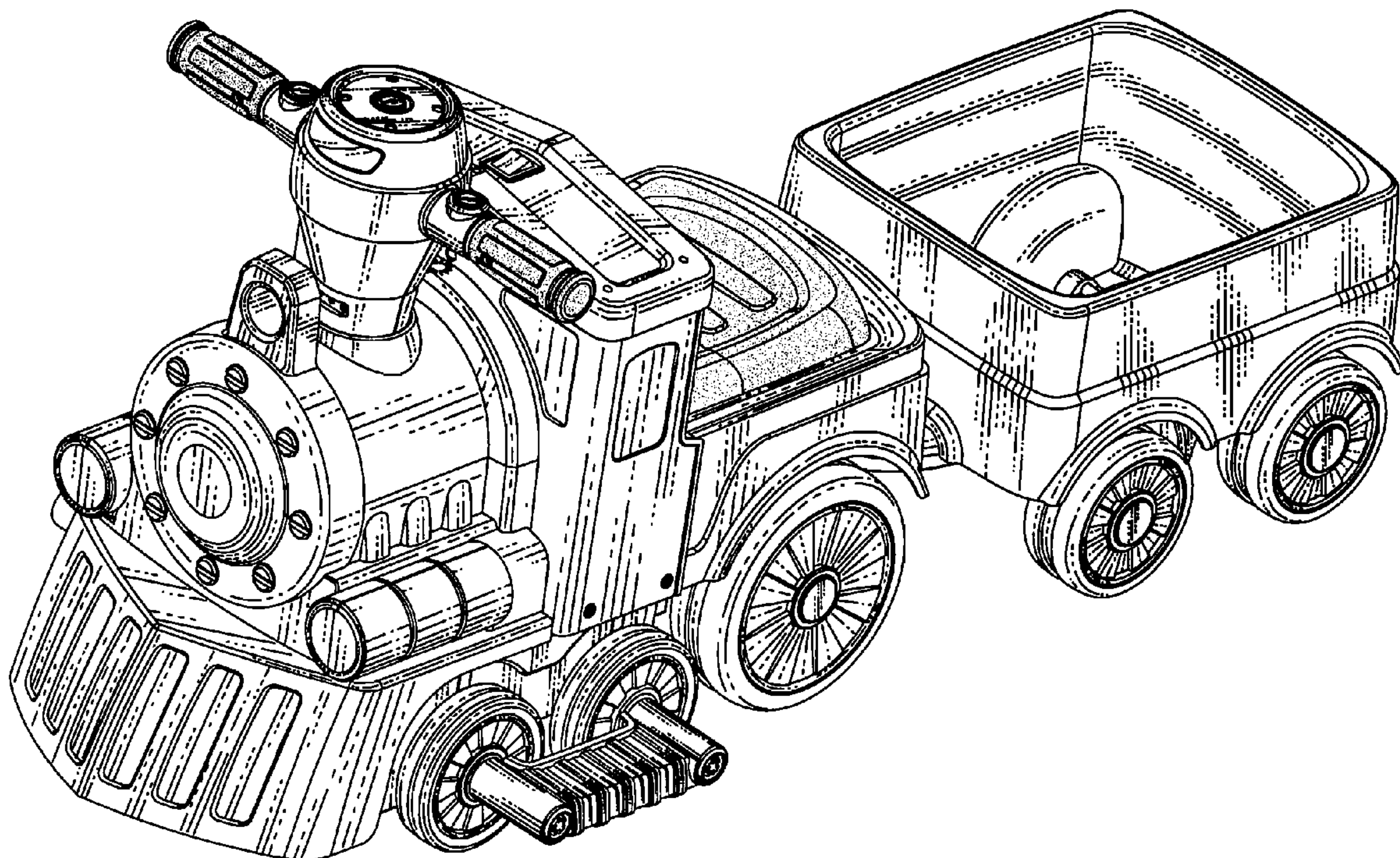
FIG. 7 is a bottom view thereof.

(56) **References Cited**

**U.S. PATENT DOCUMENTS**

D54,380 S \* 2/1920 Connor ..... D21/427  
D217,374 S \* 4/1970 Hubiak ..... D21/427  
D221,163 S \* 7/1971 Tong ..... D21/541  
D235,217 S \* 5/1975 Lohr ..... D21/427  
D257,362 S \* 10/1980 Imura ..... D21/427  
D264,362 S \* 5/1982 Mariol ..... D21/541

**1 Claim, 6 Drawing Sheets**





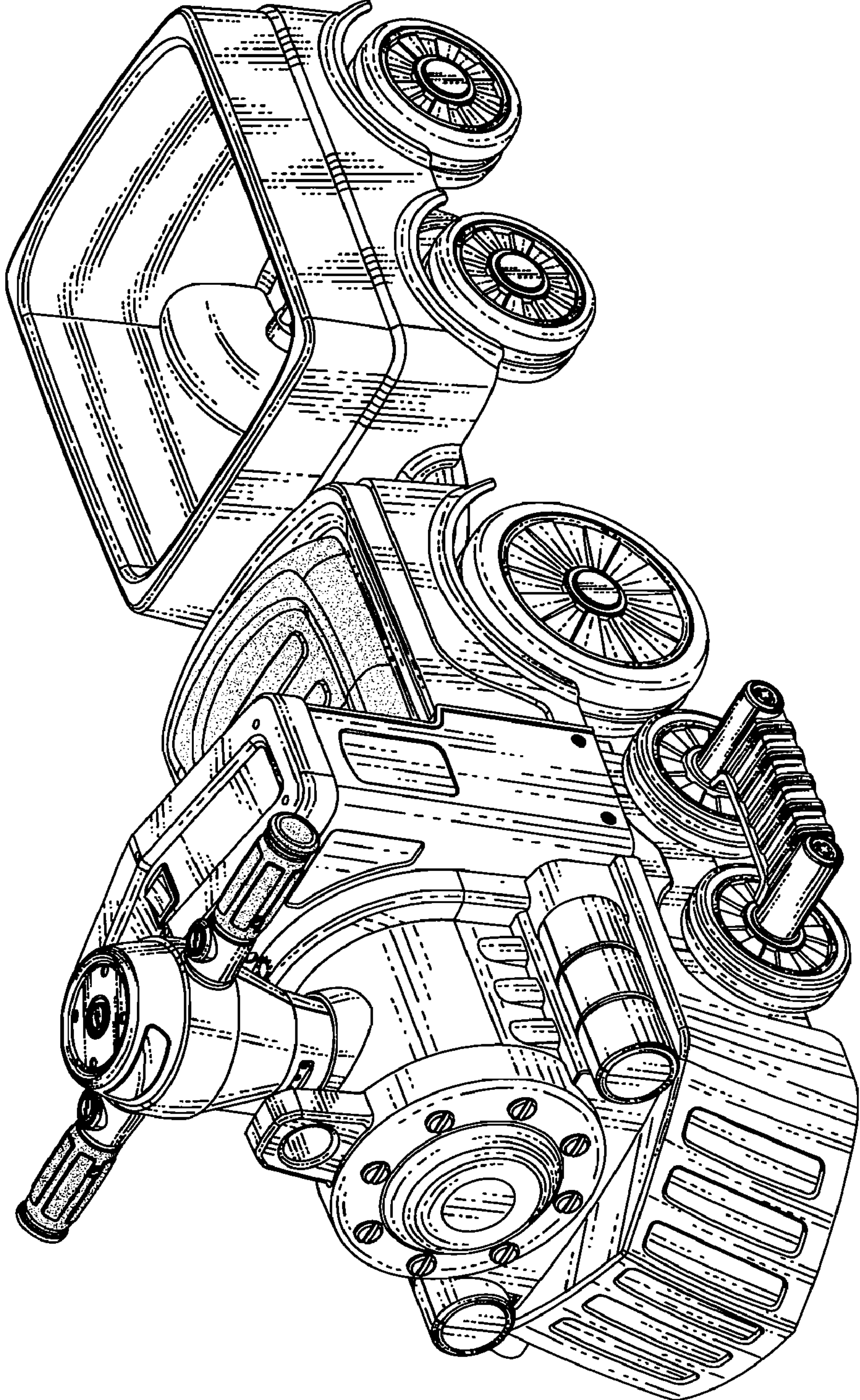


FIG. 1

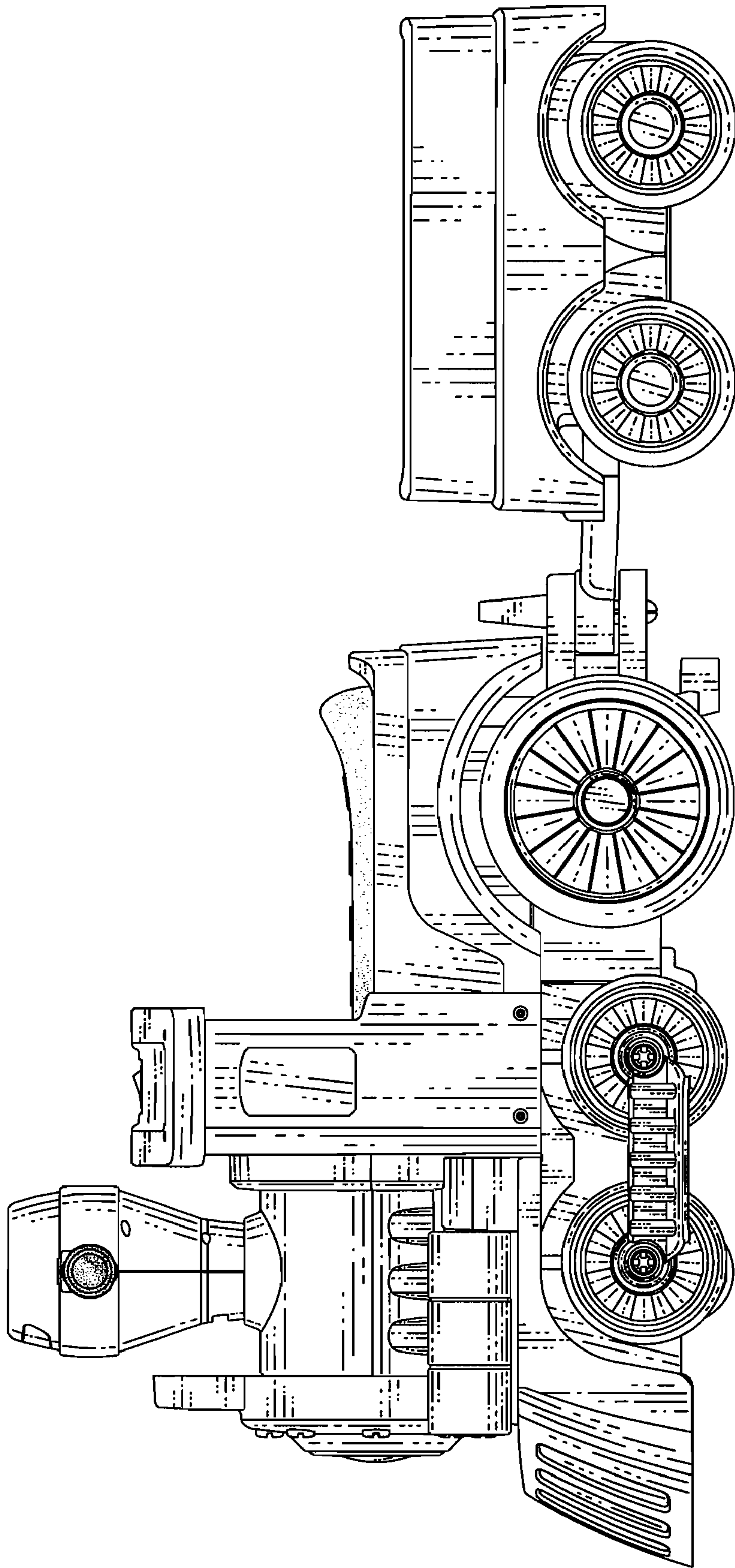


FIG. 2



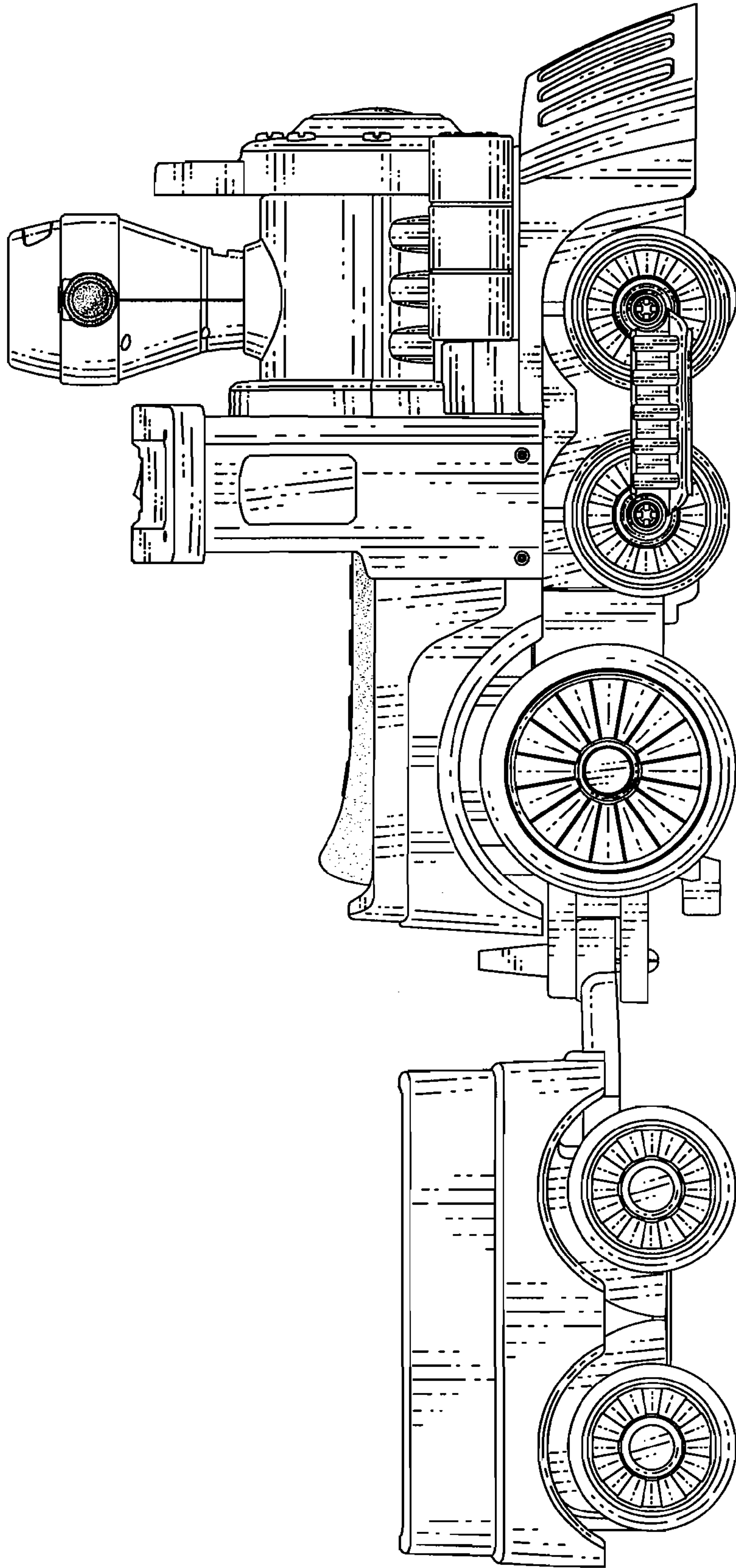


FIG. 3

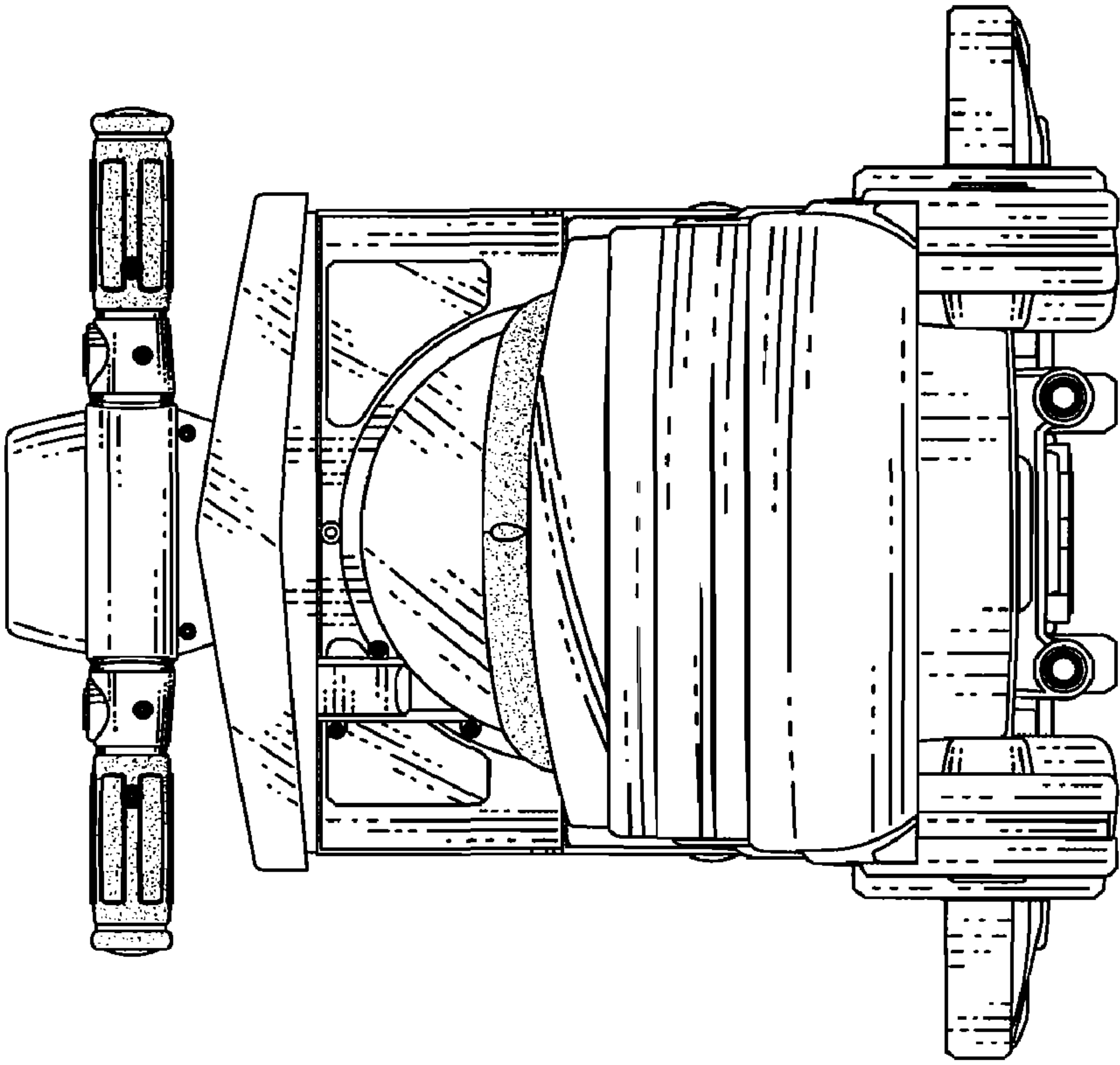


FIG. 5

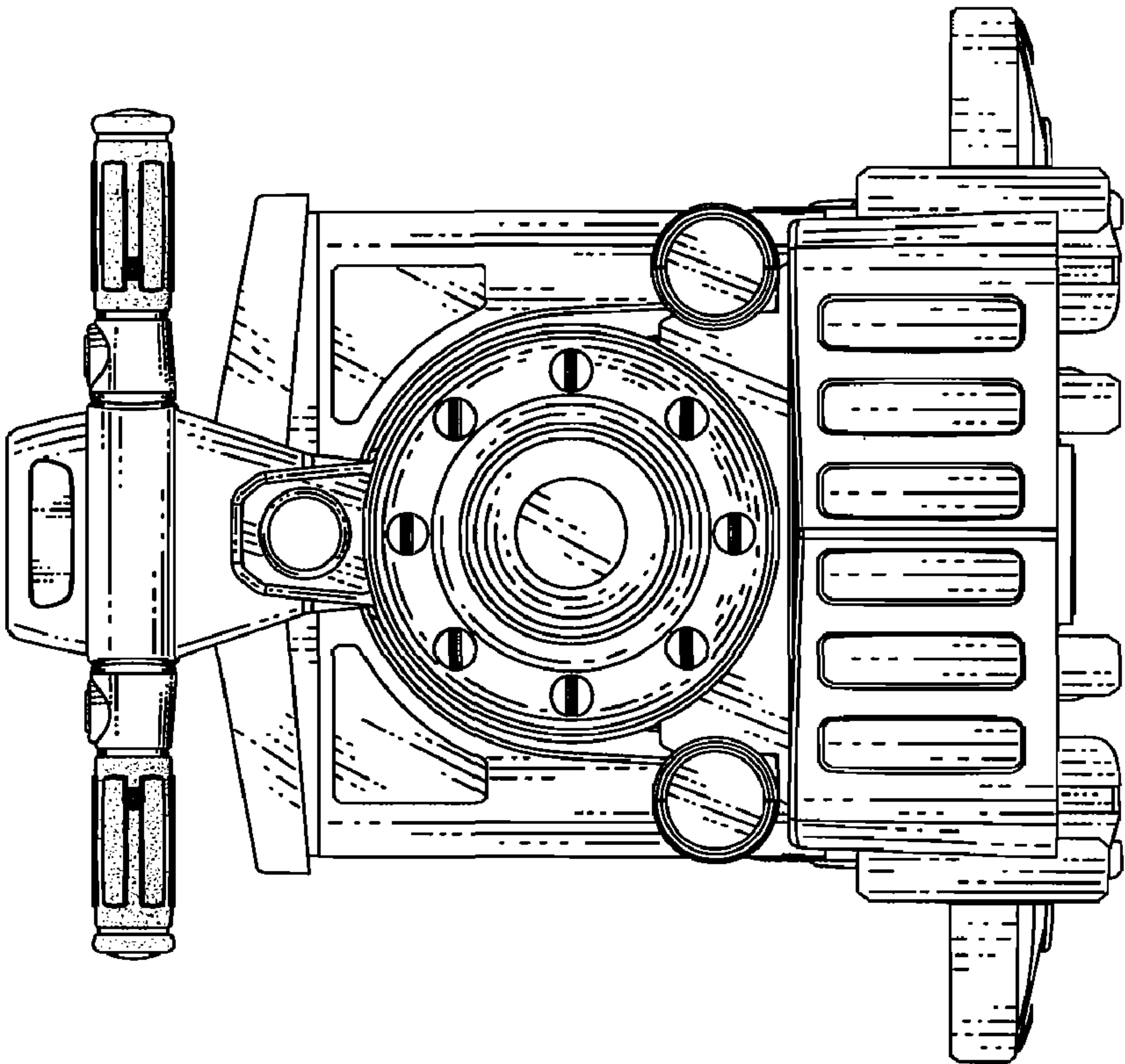


FIG. 4

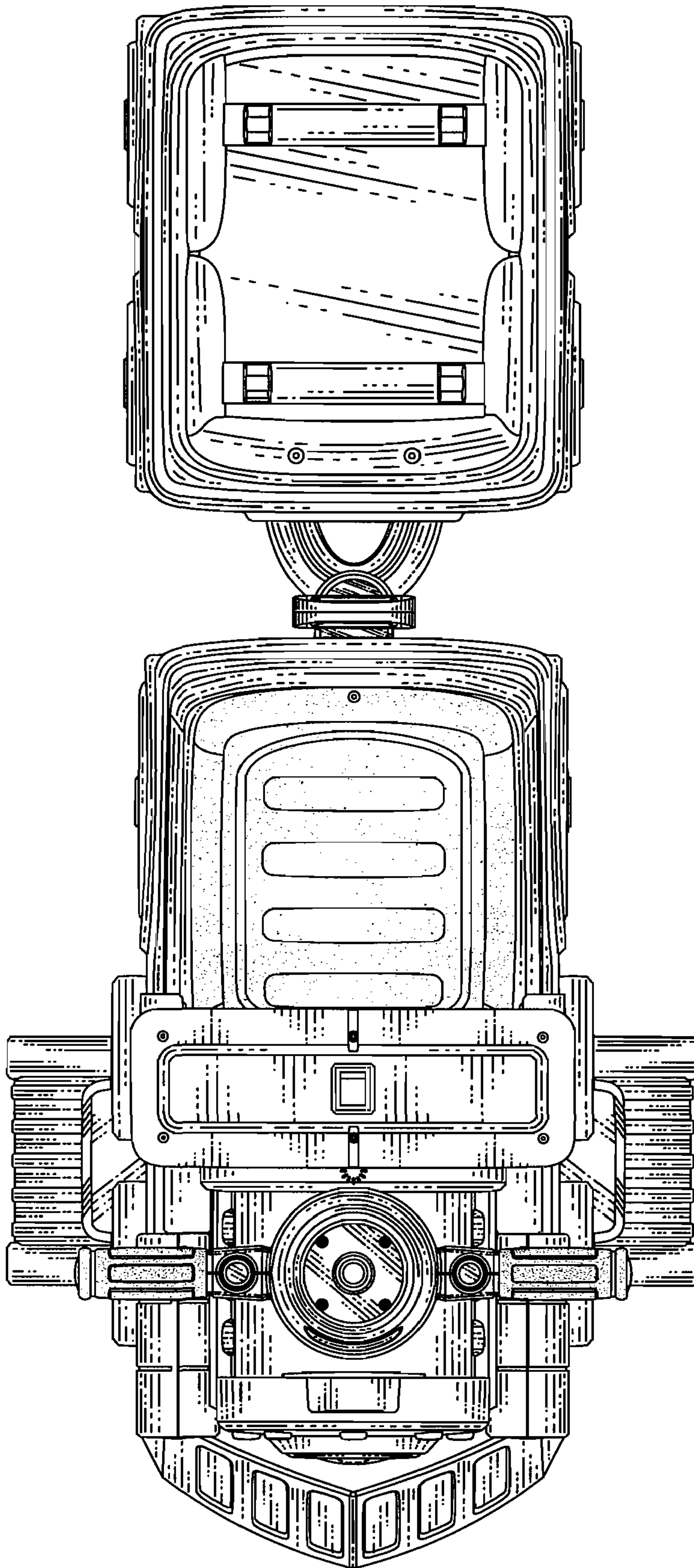


FIG. 6



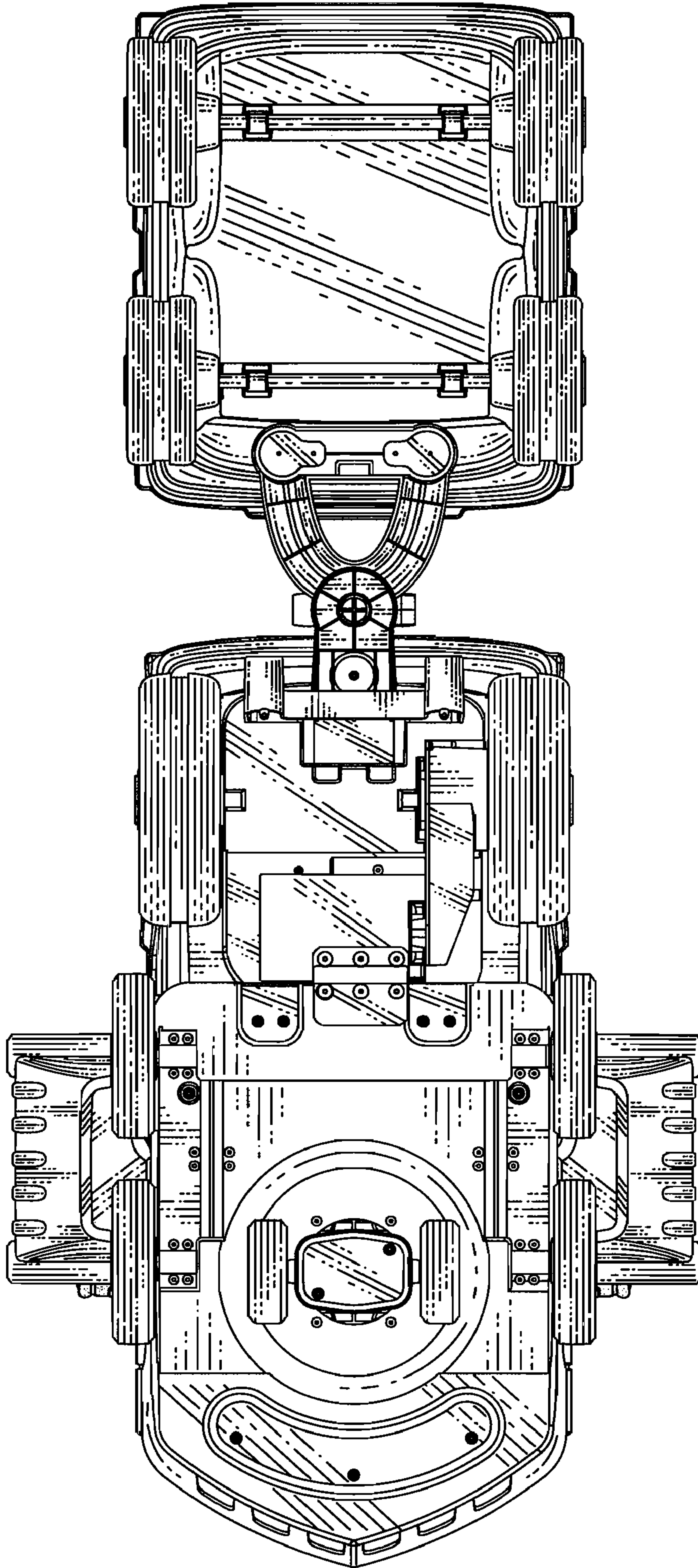


FIG. 7